

# United States Patent [19]

Evers

[11] Patent Number: **Des. 300,976**

[45] Date of Patent: **\*\* May 2, 1989**

[54] **HAND TRUCK**

[75] Inventor: **Andé Evers, Atlanta, Ga.**

[73] Assignee: **Equipment Innovators, Inc., Marietta, Ga.**

[\*\*] Term: **14 Years**

[21] Appl. No.: **111,567**

[22] Filed: **Oct. 22, 1987**

[52] U.S. Cl. .... **D34/26; D34/24**

[58] Field of Search ..... **D34/24, 26, 12; 280/47.27, 47.2, 654, 47.34**

3,168,329 2/1965 Goldschmidt ..... D34/26  
4,220,346 9/1980 Geschwender ..... 280/654  
4,752,173 6/1988 Fleming ..... 280/47.34  
4,762,193 8/1988 Levine ..... 280/47.2

*Primary Examiner*—Wallace R. Burke  
*Assistant Examiner*—Kay H. Chin  
*Attorney, Agent, or Firm*—Rodgers & Rodgers

[57] **CLAIM**

The ornamental design for a hand truck, as shown.

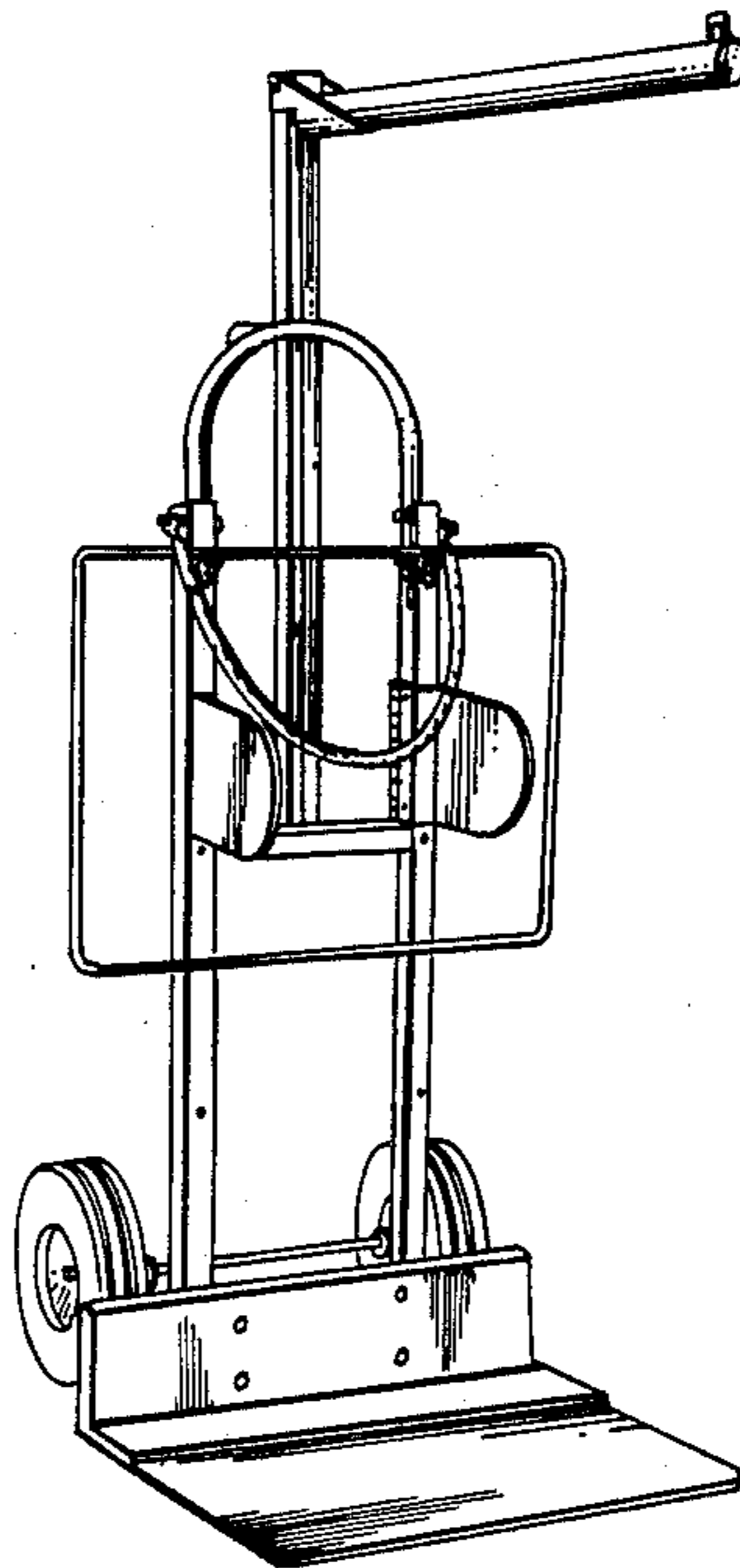
**DESCRIPTION**

FIG. 1 is a perspective view of a hand truck showing my new design;  
FIG. 2 is a right side elevation thereof;  
FIG. 3 is a left side elevation thereof;  
FIG. 4 is a front elevation thereof;  
FIG. 5 is a rear elevation thereof;  
FIG. 6 is a top plan view thereof; and  
FIG. 7 is a bottom plan view thereof.

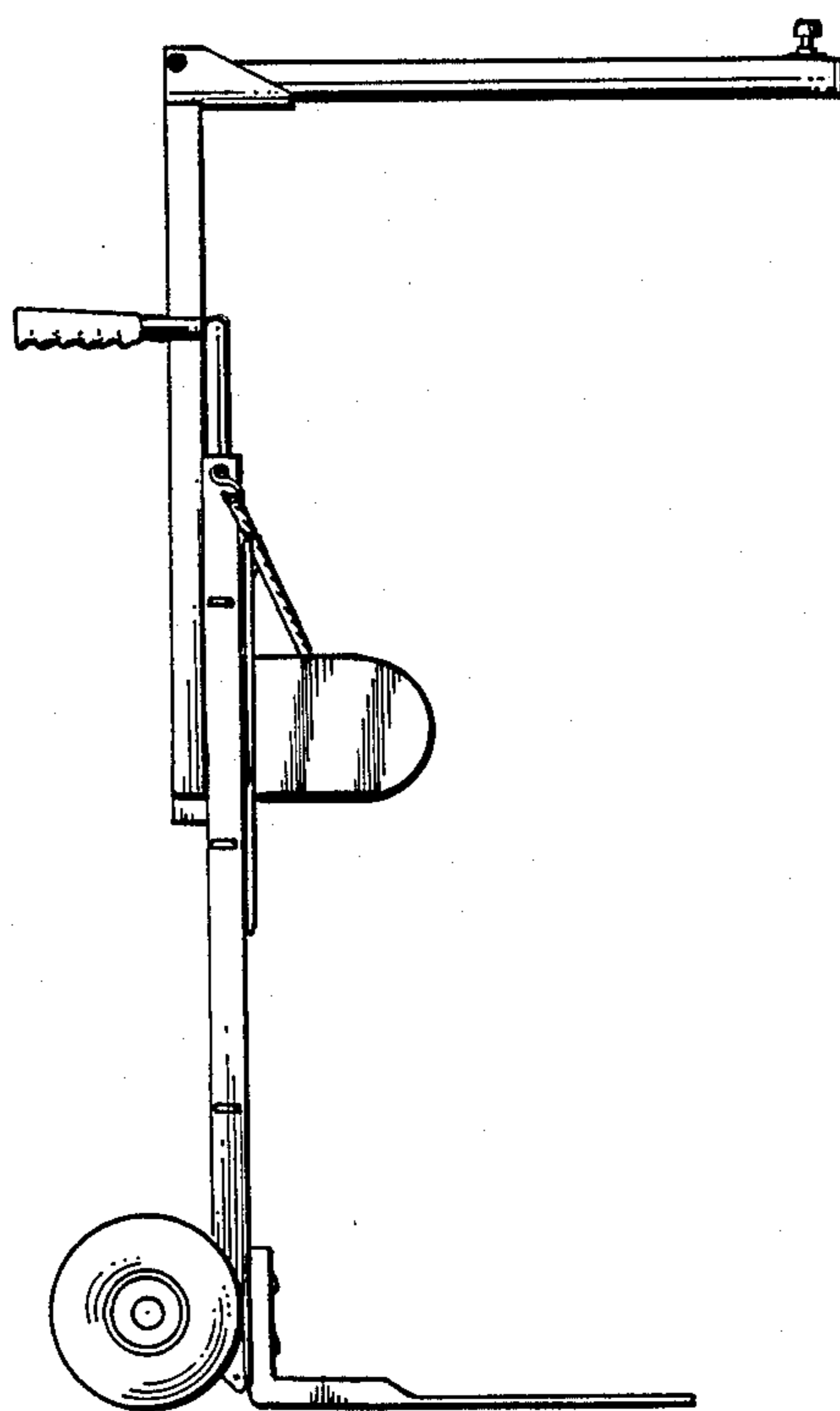
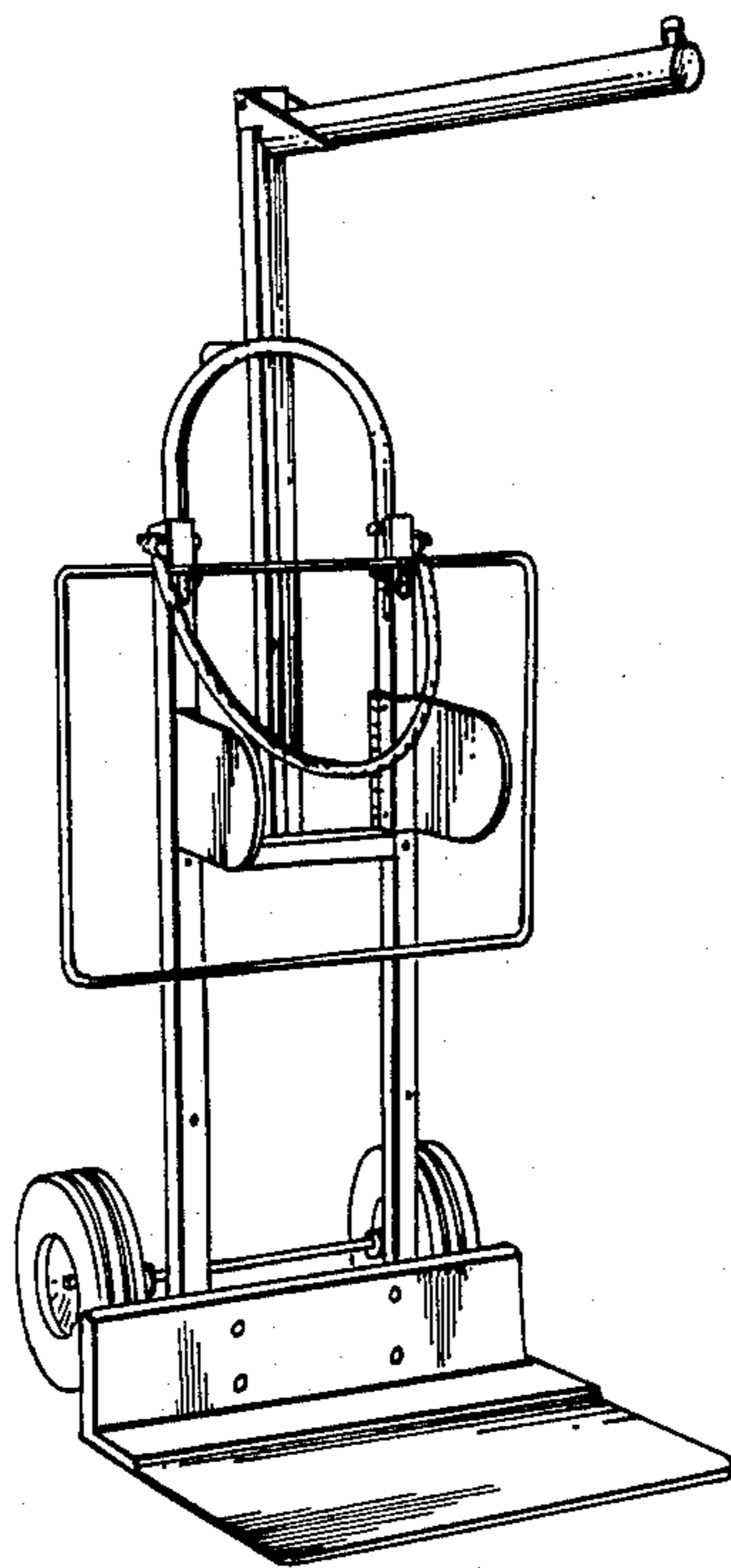
[56] **References Cited**

**U.S. PATENT DOCUMENTS**

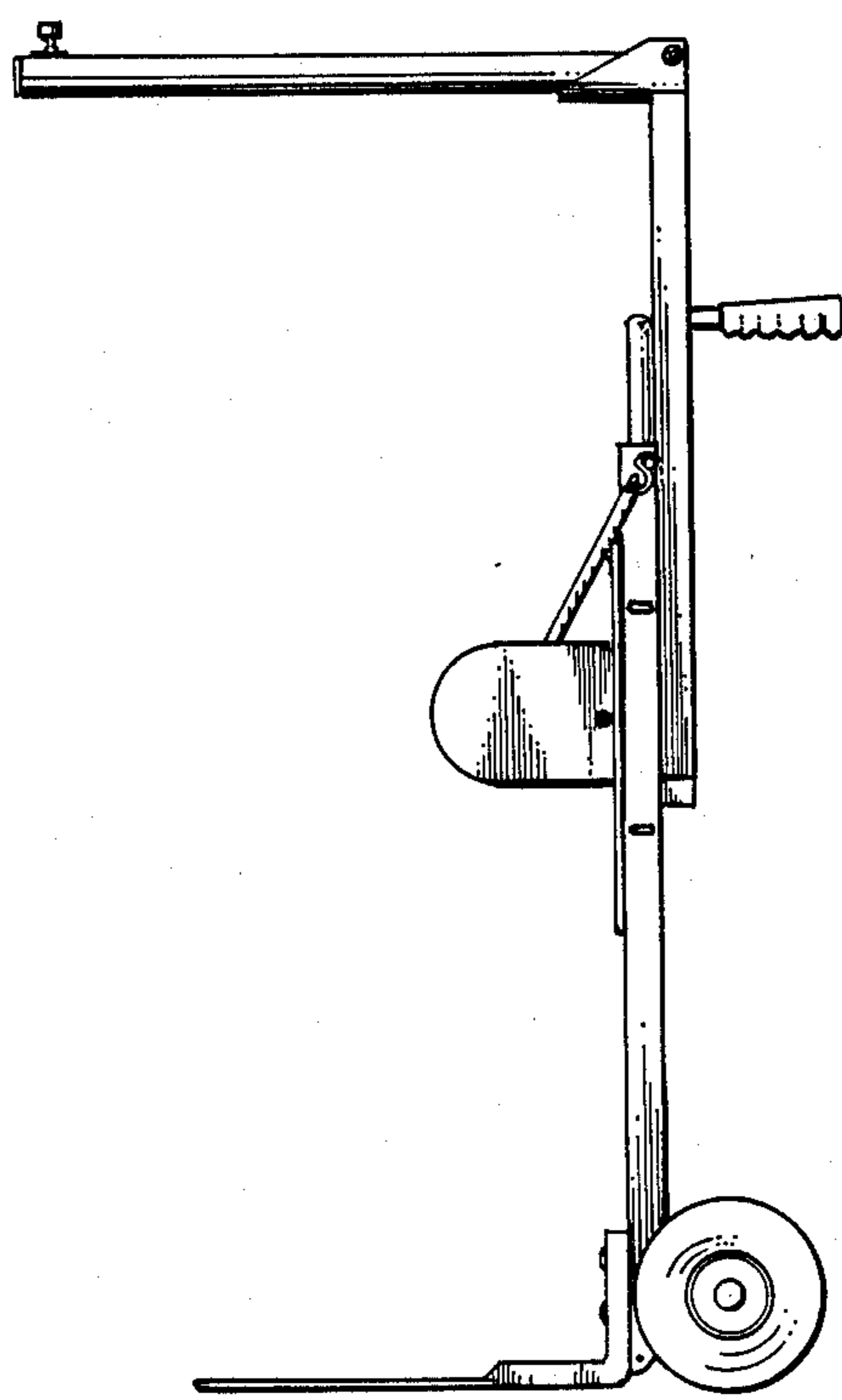
D. 285,436 3/1981 McGilberry ..... D34/26  
2,903,147 9/1959 Davis, Jr. .... D34/26  
2,980,200 4/1961 Kibby ..... D34/26



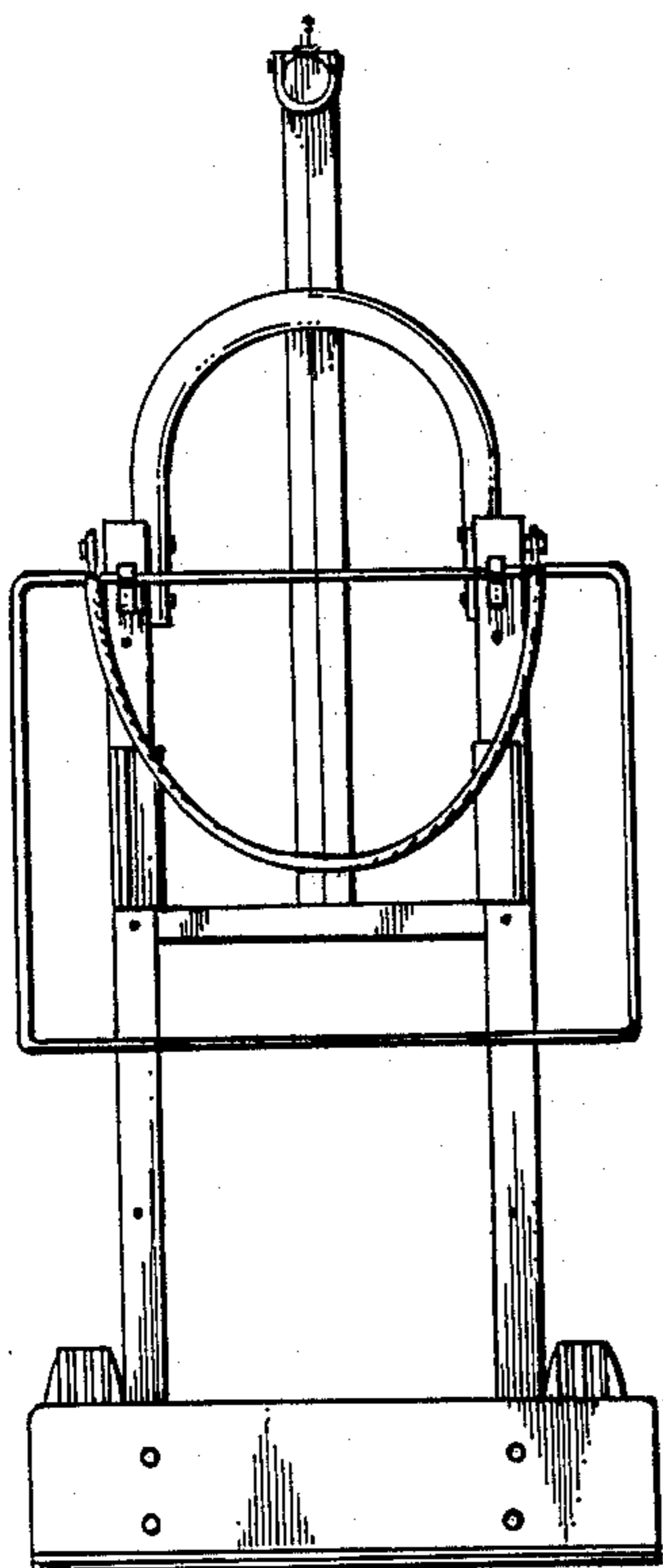
**FIG. 1**



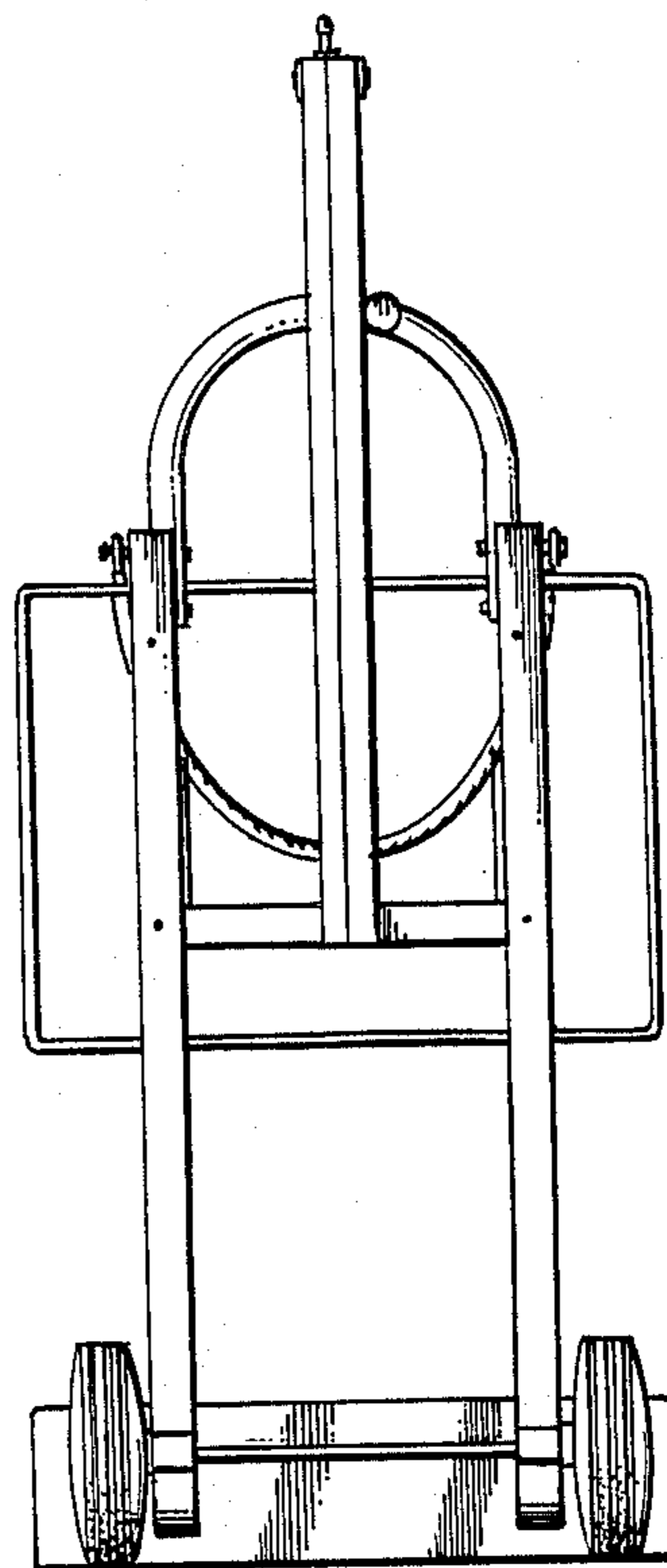
**FIG. 2**



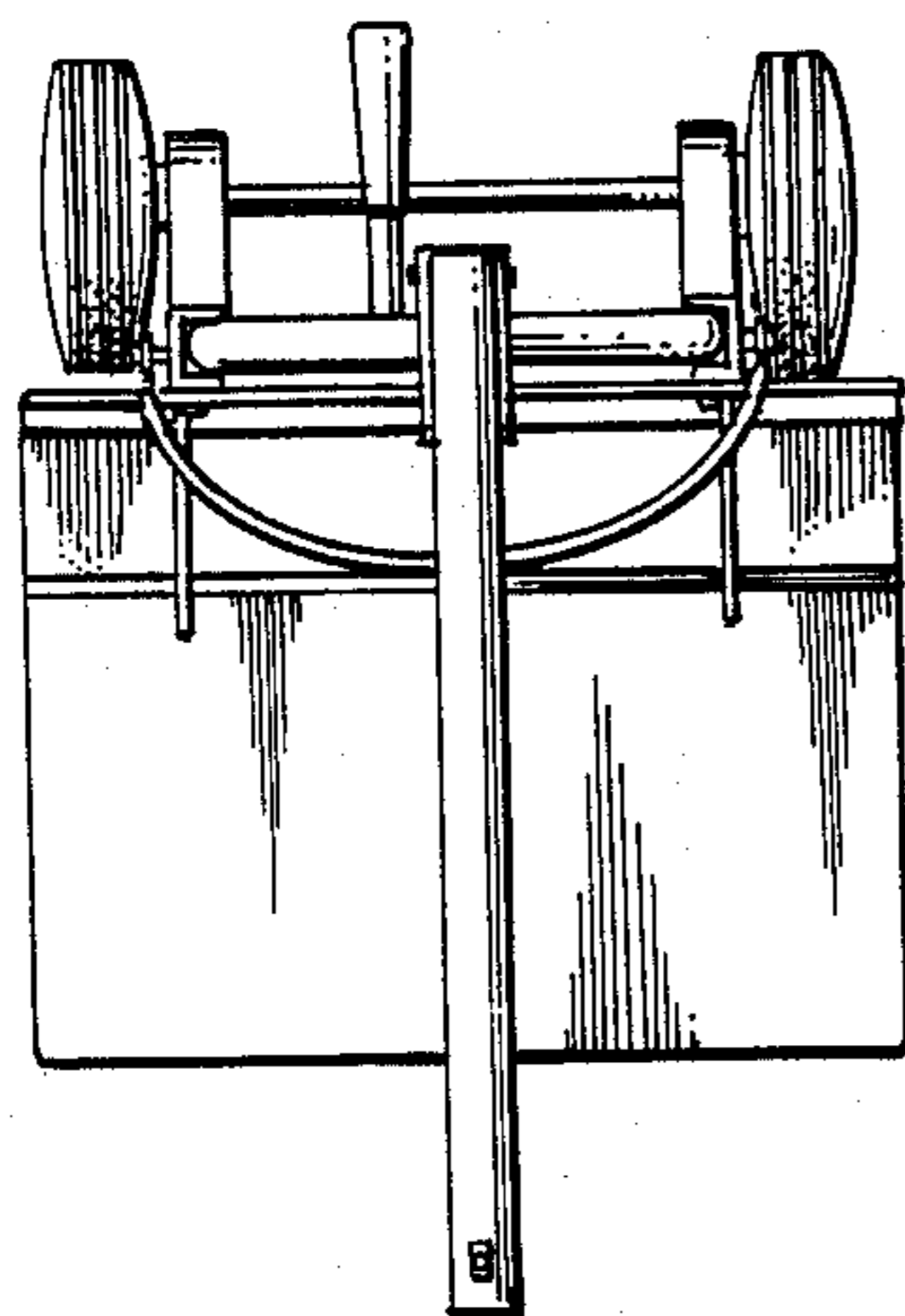
**FIG. 3**



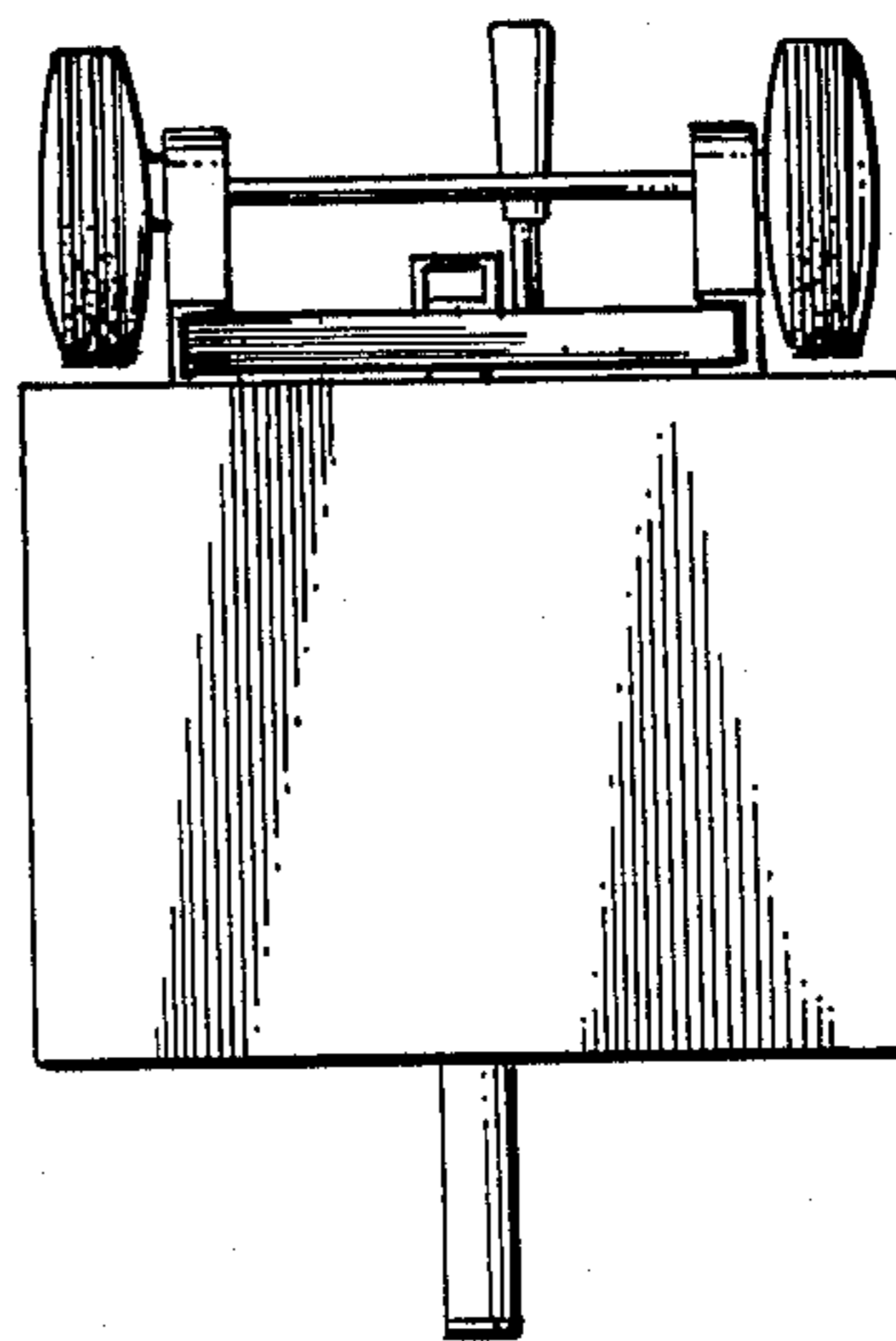
**FIG. 4**



**FIG. 5**



**FIG. 6**



**FIG. 7**