

[54] **LID FOR A REFUSE CONTAINER**
[75] **Inventor: Kenneth M. Dewing, Porterville, Calif.**
[73] **Assignee: Glenrich Products, Inc., Sun Valley, Calif.**
[**] **Term: 14 Years**
[21] **Appl. No.: 132,105**
[22] **Filed: Dec. 14, 1987**

4,650,089 3/1987 Sanders 220/1 T

Primary Examiner—Wallace R. Burke
Assistant Examiner—Kay H. Chin
Attorney, Agent, or Firm—Christie, Parker & Hale

[57] **CLAIM**

The ornamental design for a lid for a refuse container, substantially as shown and described.

DESCRIPTION

FIG. 1 is a perspective view of a lid for a refuse container showing my new design;
FIG. 2 is a front elevational view thereof;
FIG. 3 is a side elevational view thereof;
FIG. 4 is a rear elevational view thereof;
FIG. 5 is a top plan view thereof;
FIG. 6 is a bottom plan view thereof;
FIG. 7 is a perspective view of a second embodiment of the lid for a refuse container;
FIG. 8 is a front elevational view of FIG. 7;
FIG. 9 is a side elevational view of FIG. 7;
FIG. 10 is a rear elevational view of FIG. 7;
FIG. 11 is a top plan view of FIG. 7; and,
FIG. 12 is a bottom plan view of FIG. 7.

Related U.S. Application Data

[62] Division of Ser. No. 801,044, Nov. 22, 1985.
[52] **U.S. Cl.** **D34/11**
[58] **Field of Search** **D34/1, 10, 7, 8;**
248/95, 1, 101; 220/1 T, 254, 337, 343; 230/1
R; D7/391; D9/435; D8/373

[56] **References Cited**

U.S. PATENT DOCUMENTS

D. 257,550 11/1980 Holcroft D34/11
D. 282,241 1/1986 Sauber D8/373
4,445,623 5/1984 Kolling et al. 220/1 T

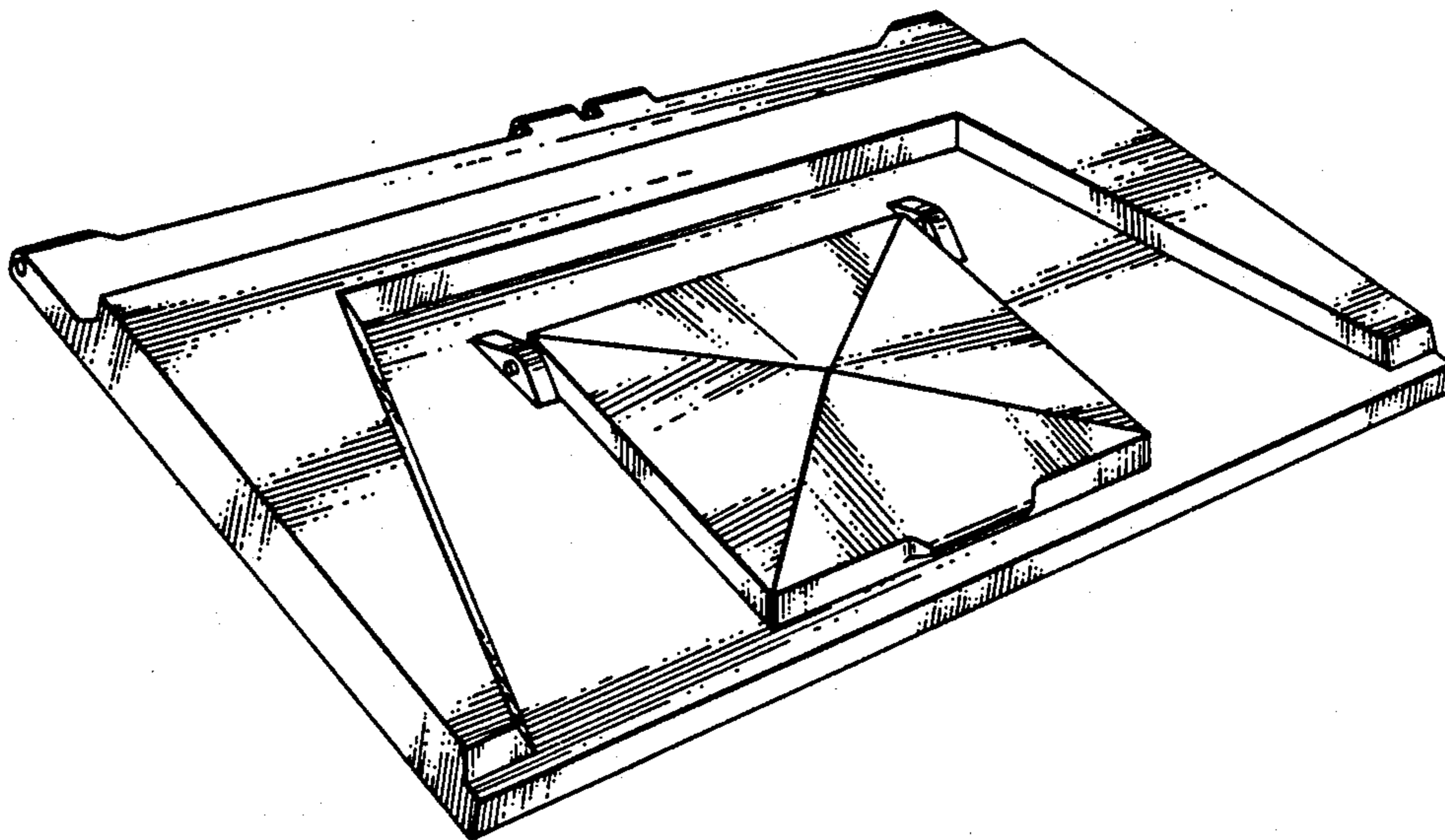


Fig. 1

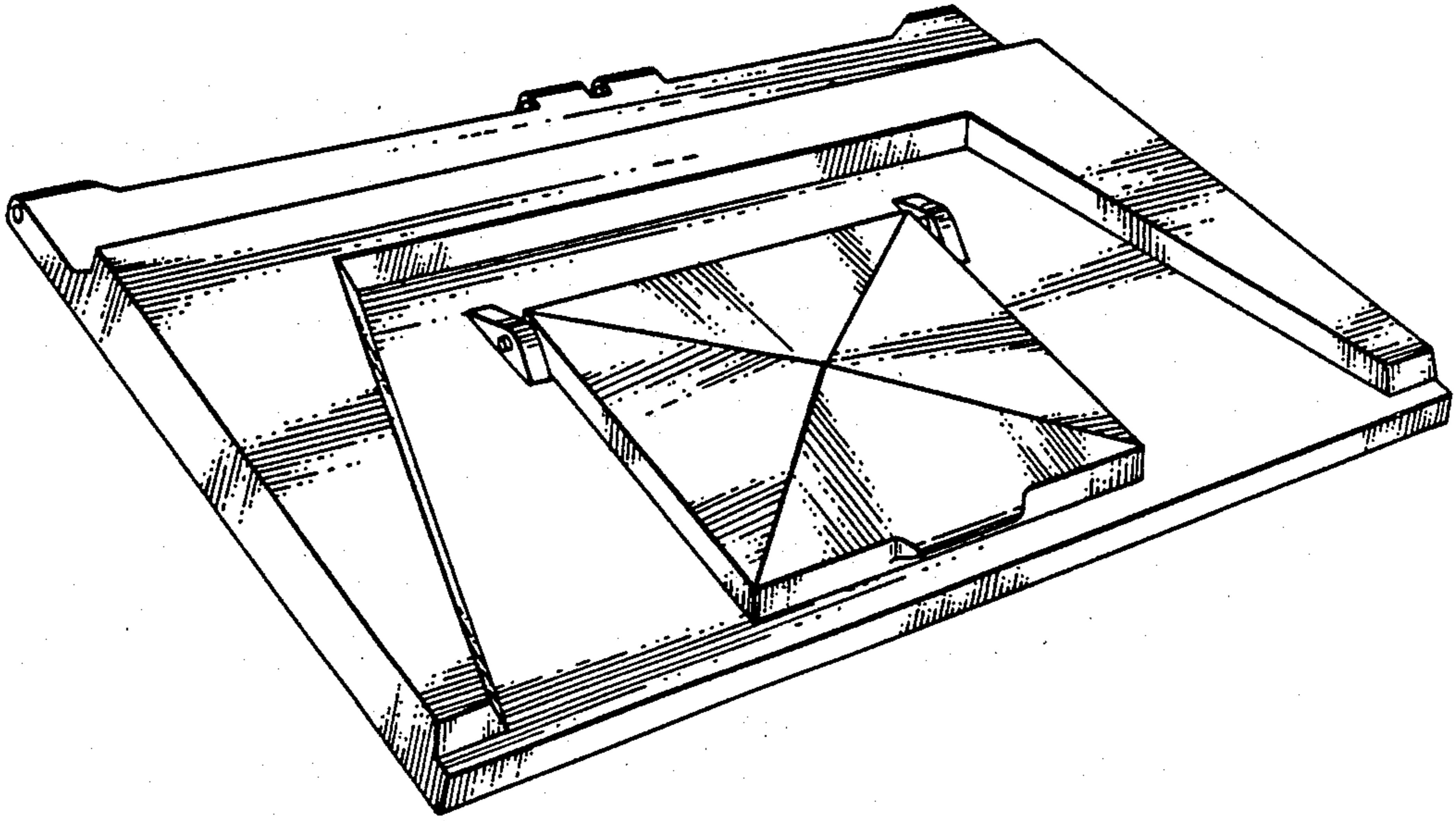


Fig. 2



Fig. 3



Fig. 4



Fig 5

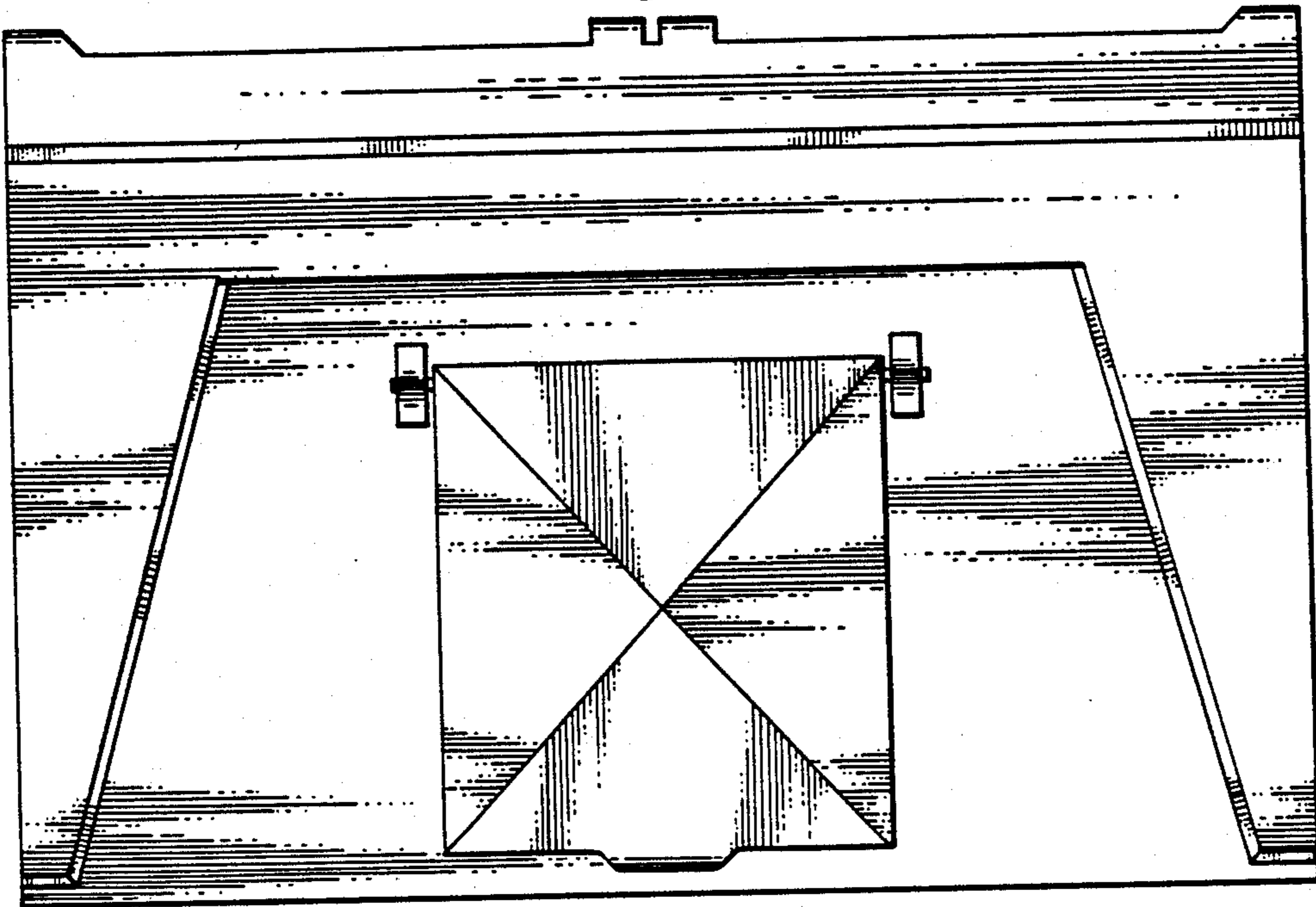


Fig 6

