

[54] **TRASHBAG FILLING AND PACKING SLEEVE**  
[75] **Inventor: Dennis J. Copeland, Pasadena, Calif.**  
[73] **Assignee: Cardioptic Inc., Canyon Lake, Calif.**  
[\*\*] **Term: 14 Years**  
[21] **Appl. No.: 937,512**  
[22] **Filed: Dec. 3, 1986**  
[52] **U.S. Cl. .... D34/7; D34/1**  
[58] **Field of Search .... D34/1-11; 248/95, 97, 98, 99, 100, 101, 499; 220/1 T, 404**

4,444,355 4/1984 Cary ..... 220/404  
4,643,380 2/1987 Copeland ..... 248/97  
4,711,367 12/1987 Albertson ..... 220/404

*Primary Examiner*—Wallace R. Burke  
*Assistant Examiner*—Kay H. Chin  
*Attorney, Agent, or Firm*—Albert O. Cota

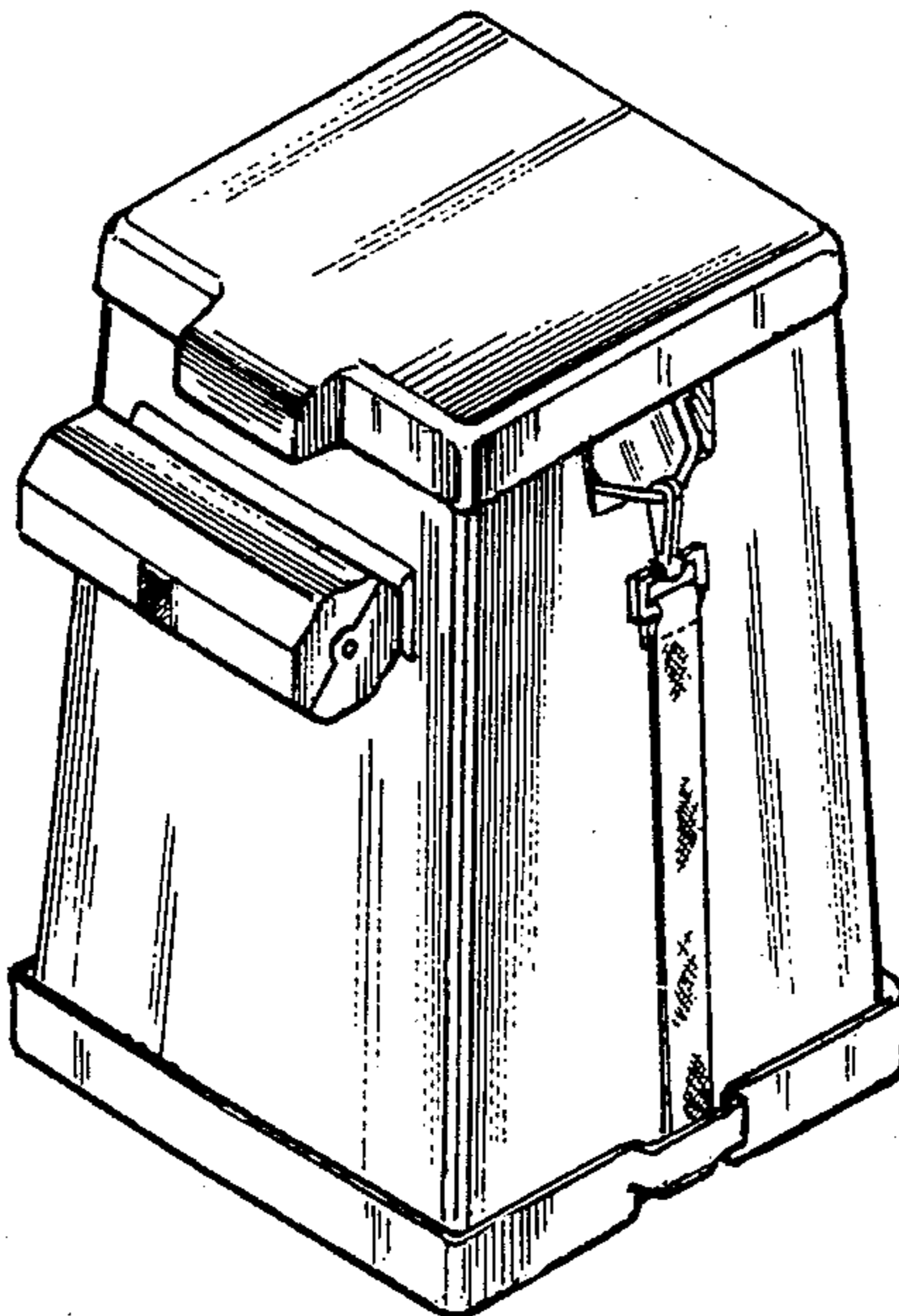
[57] **CLAIM**

The ornamental design for a trashbag filling and packing sleeve, as shown and described.

**DESCRIPTION**

FIG. 1 is a perspective view of a trashbag filling and packing sleeve showing my new design;  
FIG. 2 is a top plan view thereof;  
FIG. 3 is a front elevational view thereof;  
FIG. 4 is a side elevational view thereof, the opposite side elevational view being a mirror image of that shown;  
FIG. 5 is a rear elevational view thereof; and  
FIG. 6 is a bottom plan view thereof.

[56] **References Cited**  
**U.S. PATENT DOCUMENTS**  
D. 241,407 9/1976 Johnson ..... D34/1  
D. 246,822 1/1978 Stoufer ..... D34/8  
3,370,787 2/1968 Lindholm et al. .... 220/404  
4,294,379 10/1981 Bard ..... 220/404



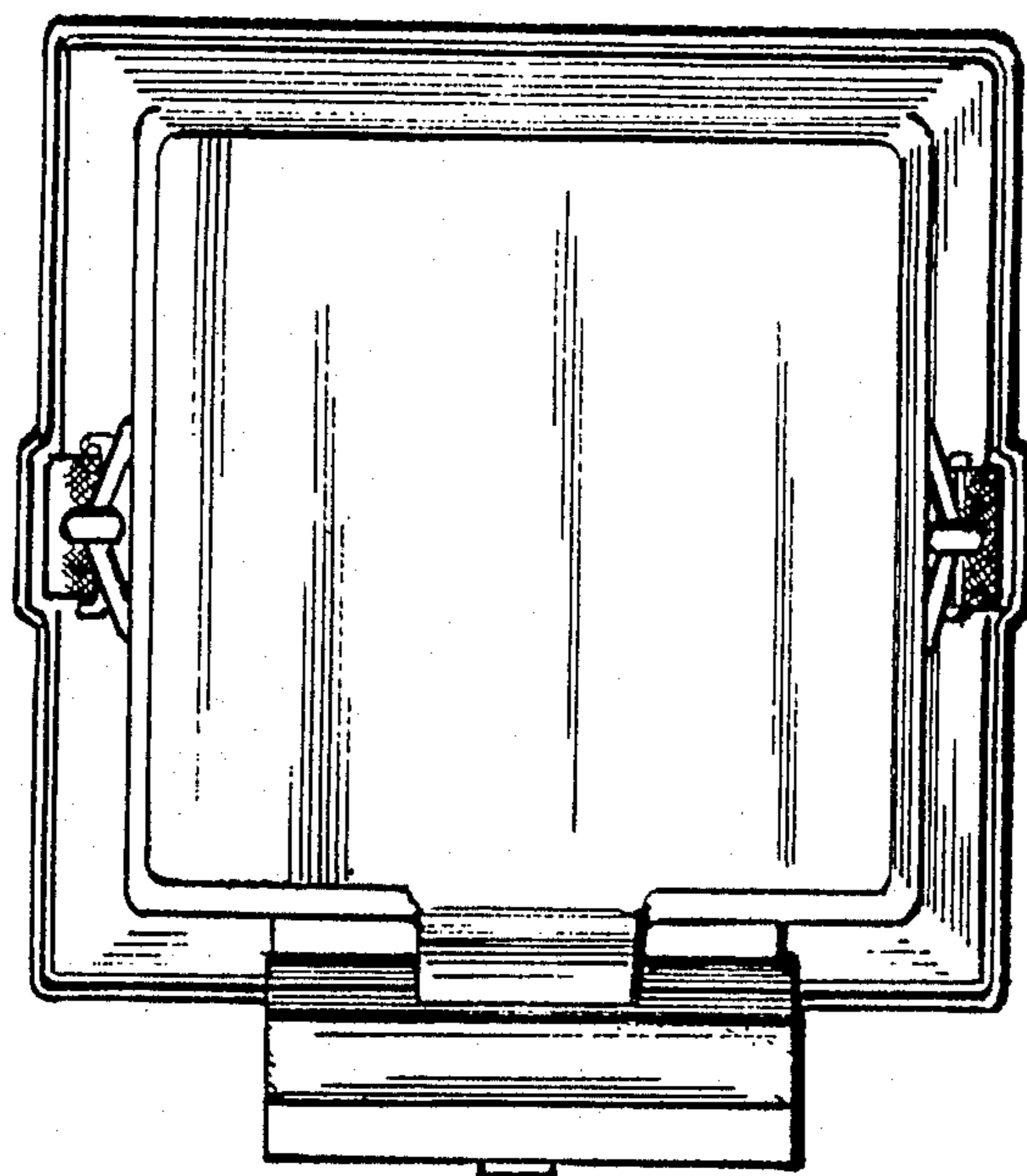


Fig. 2.

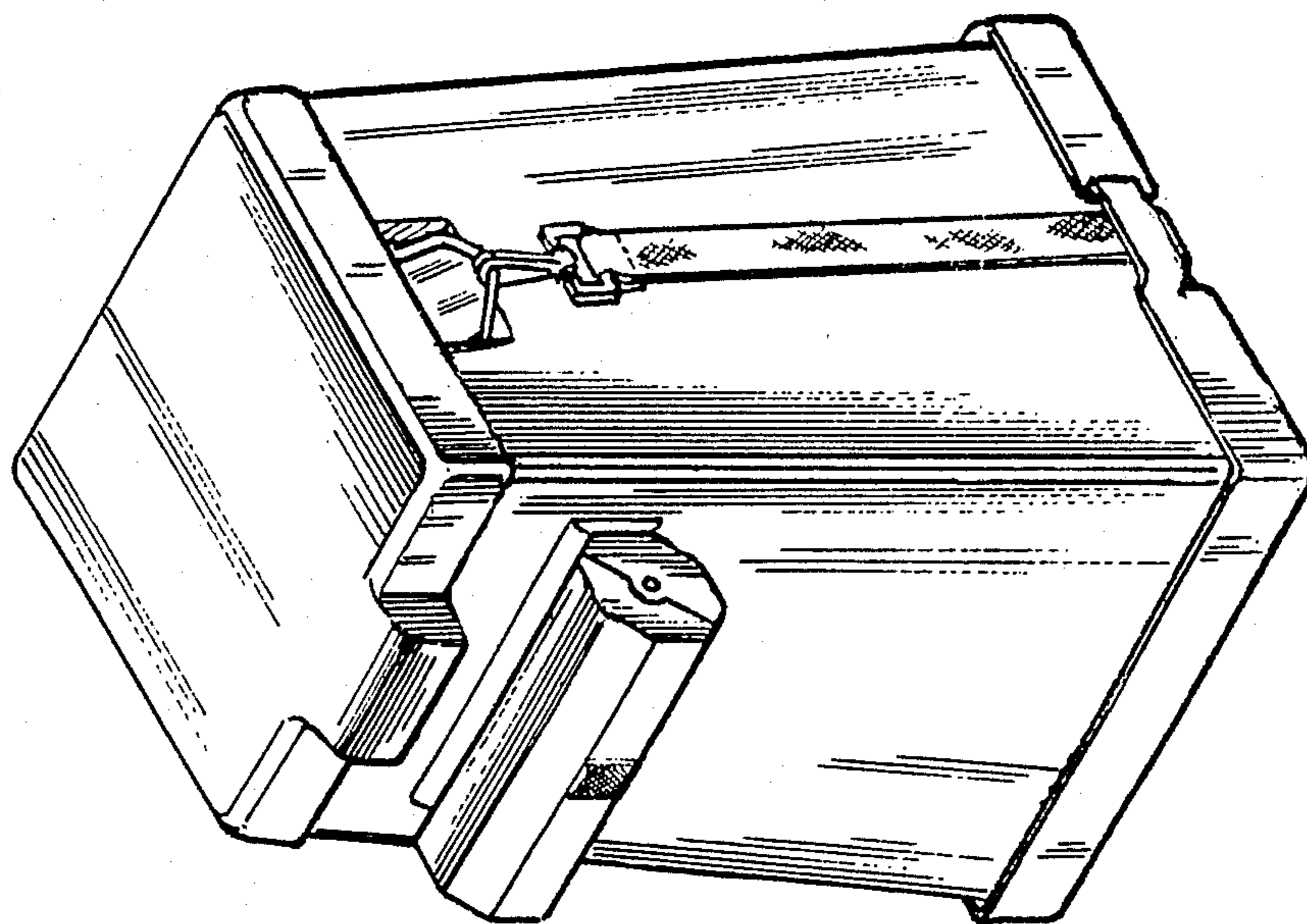


Fig. 1.

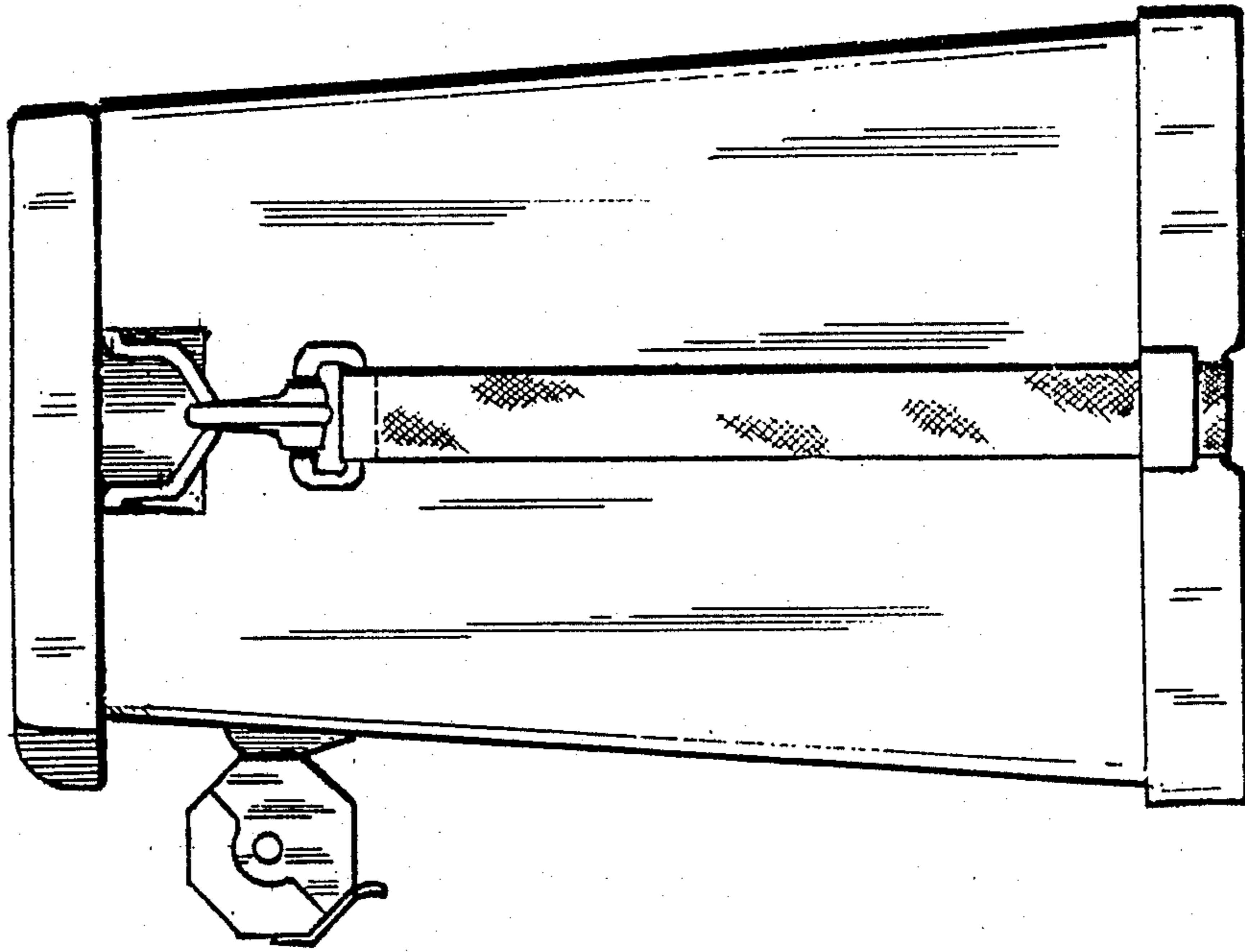


Fig. 4.

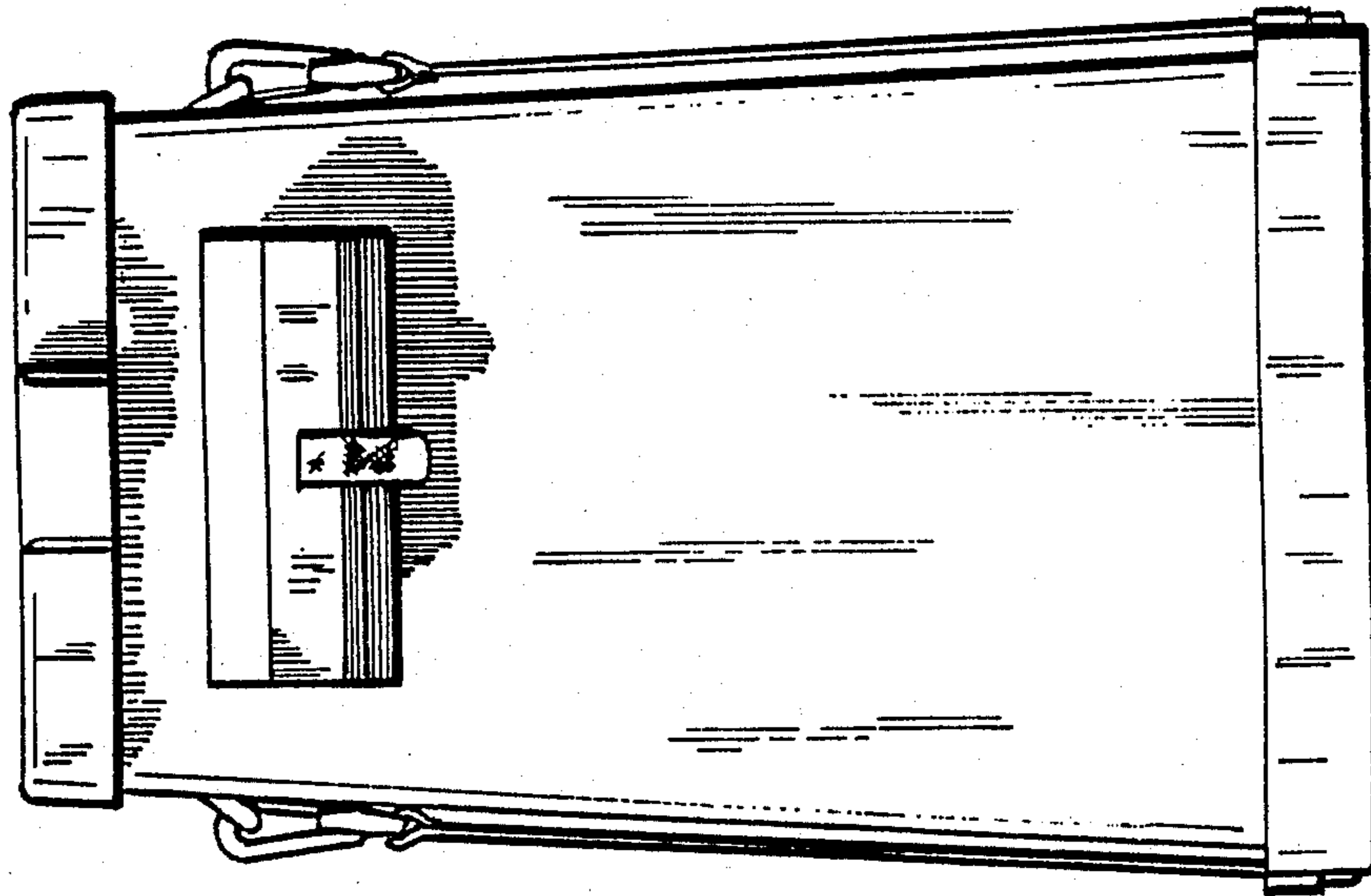


Fig. 3.

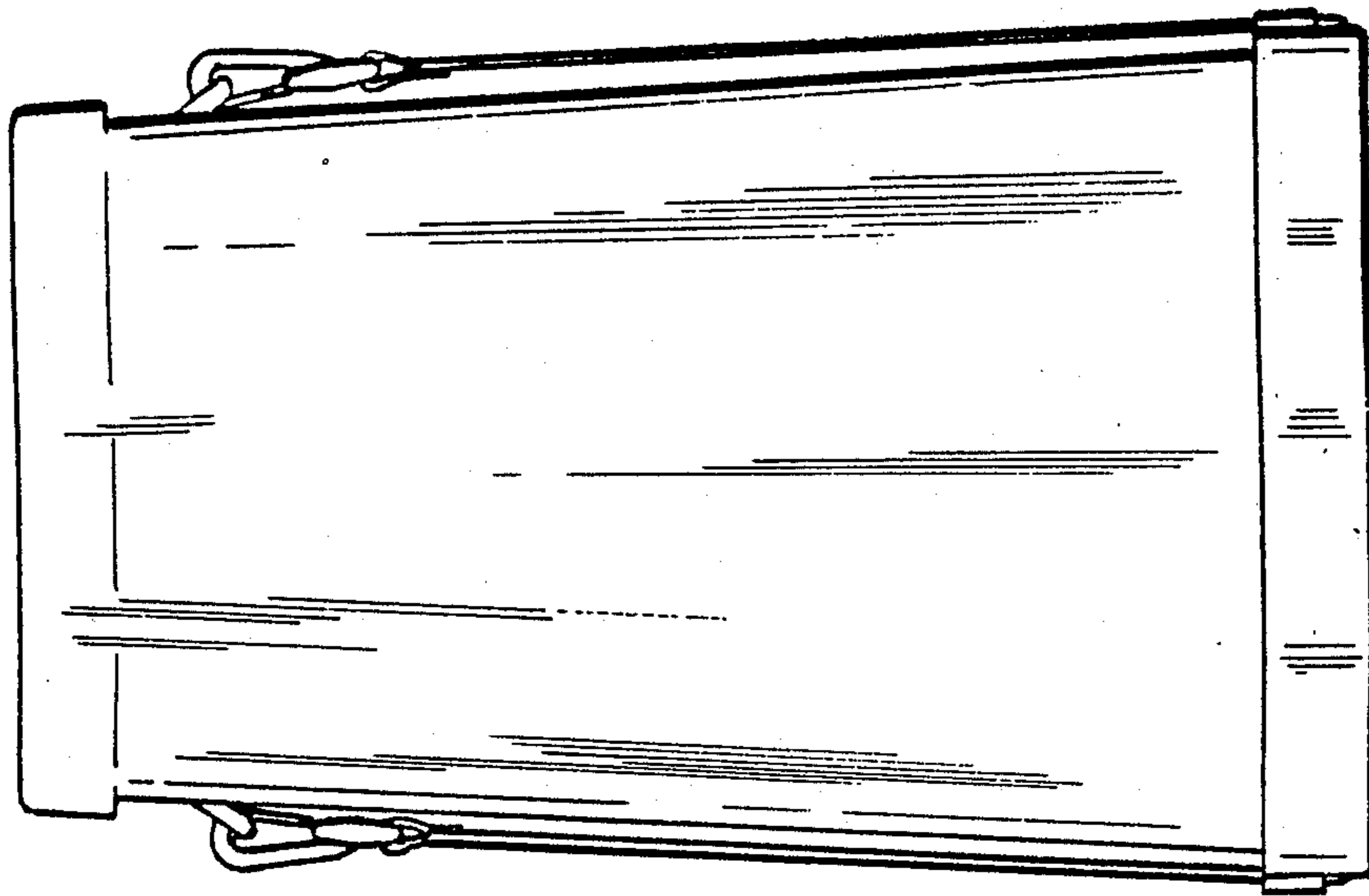


Fig. 5.

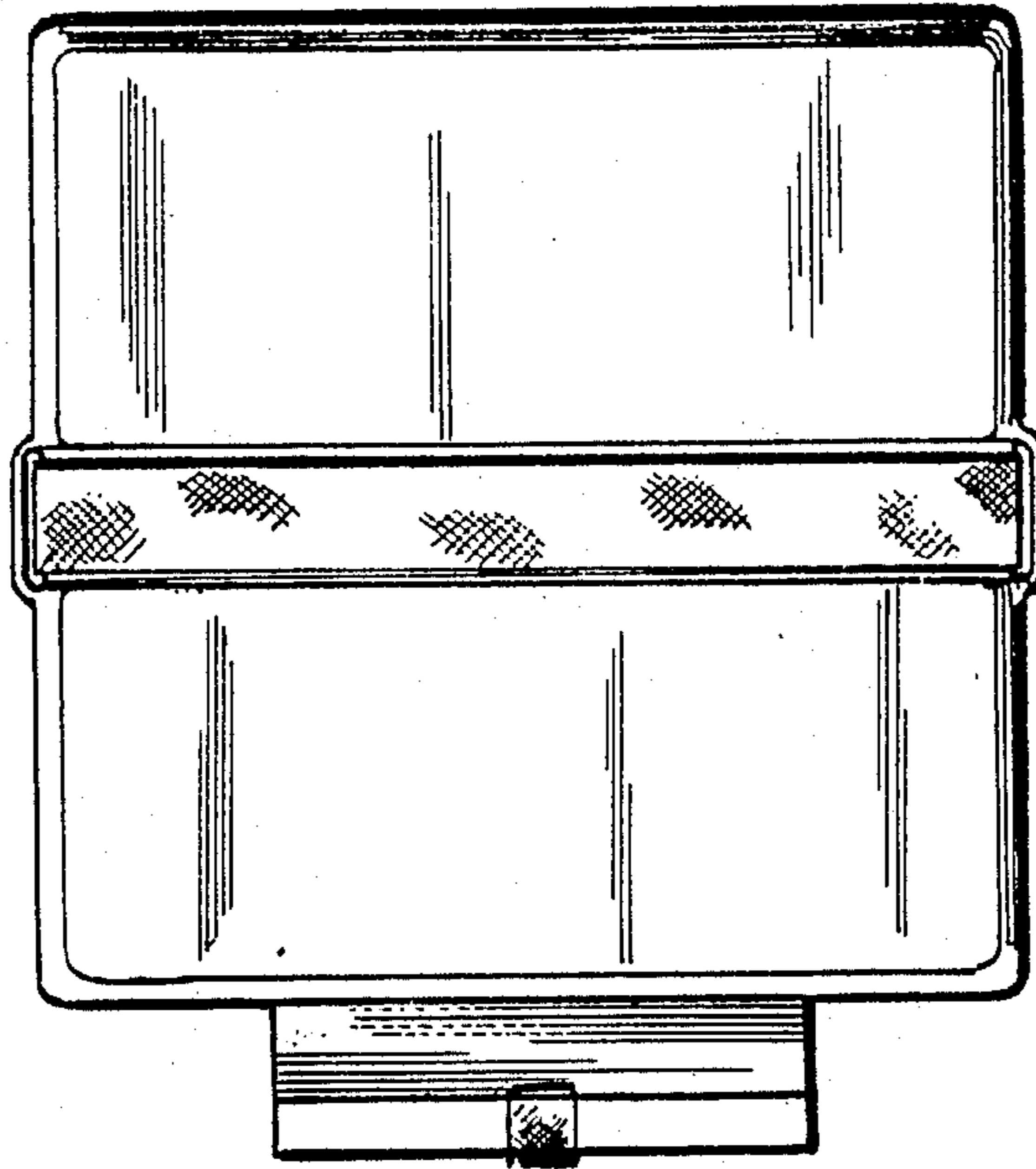


Fig. 6.