

[54] TRASH BAG HOLDER FOR WASTE BASKETS

2,488,326 11/1949 Pratt D6/553
3,188,031 6/1965 Fournier 248/95

[76] Inventor: Rex A. Streno, 403 Broughton Rd., Bethel Park, Pa. 15102

Primary Examiner—Wallace R. Burke
Assistant Examiner—Kay H. Chin
Attorney, Agent, or Firm—William J. Ruano

[**] Term: 14 Years

[21] Appl. No.: 866,612

[57] CLAIM

[22] Filed: May 26, 1986

The ornamental design for a trash bag holder for waste baskets, as shown and described.

[52] U.S. Cl. D34/6; D6/553; D8/380

DESCRIPTION

[58] Field of Search D34/1, 5, 6; 248/95, 248/97, 98, 99, 100, 101, 205.2; D8/373, 380, 381, 366; D20/402; 211/88, 90; D6/553, 567, 572

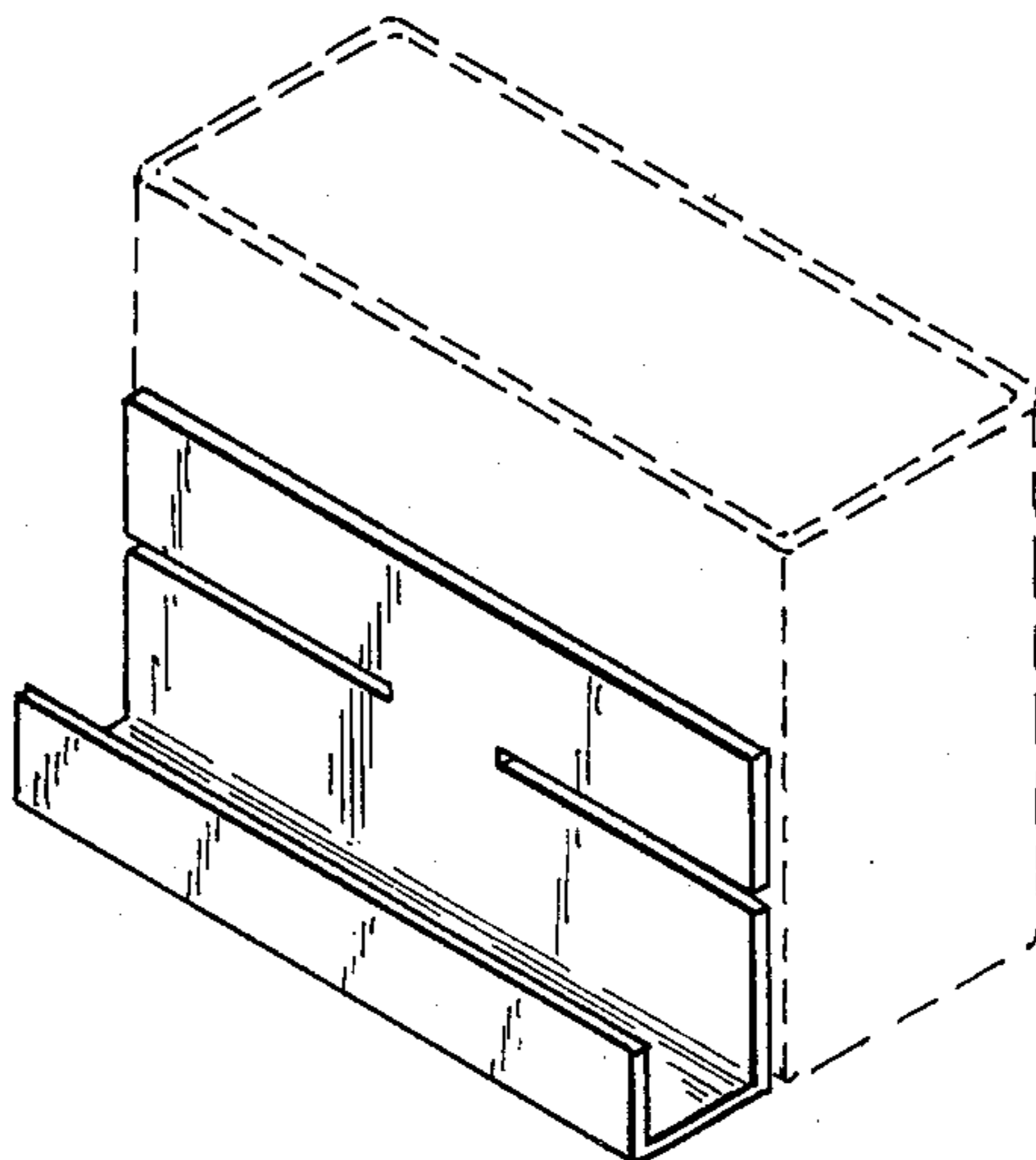
FIG. 1 is a top perspective view of a trash bag holder for waste baskets showing my new design;
FIG. 2 is a front perspective view thereof as applied to a round waste basket;
FIG. 3 is a front elevational view thereof;
FIG. 4 is a rear elevational view thereof;
FIG. 5 is a side elevational view thereof, the opposite side elevational view being a mirror image of that shown.

[56] References Cited

U.S. PATENT DOCUMENTS

| | | | | |
|------------|---------|---------|-------|--------|
| D. 218,395 | 8/1970 | Mandel | | D8/380 |
| D. 257,993 | 1/1981 | DeMars | | 211/88 |
| 714,137 | 11/1902 | Branch | | D6/553 |
| 1,608,266 | 11/1926 | Forbes | | 211/88 |
| 2,003,244 | 5/1935 | Carboni | | 211/88 |

The broken lines of the waste basket's bottom portion shown in FIGS. 1 and 2 are for illustrative purposes only and form no part of the claimed design.



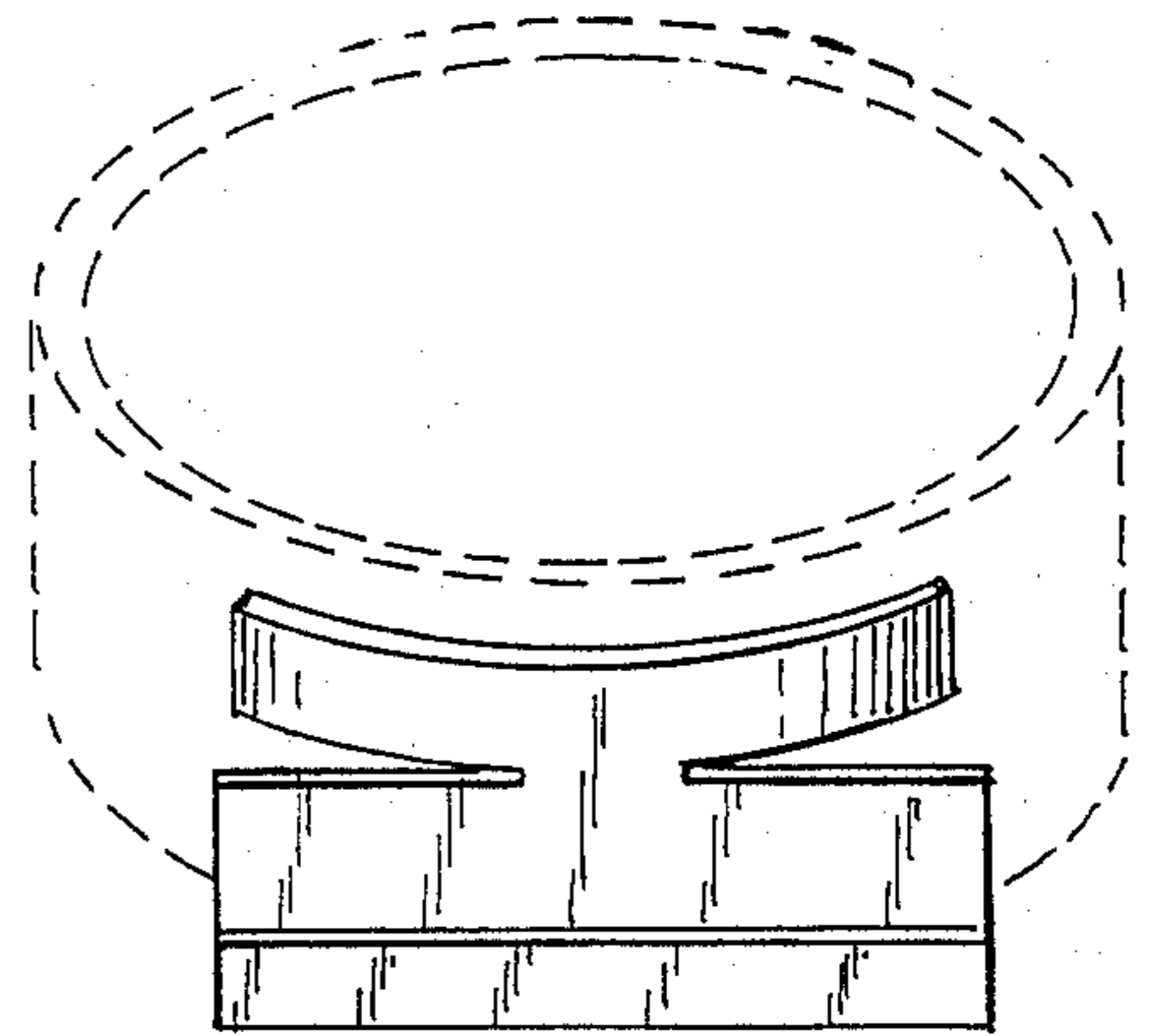
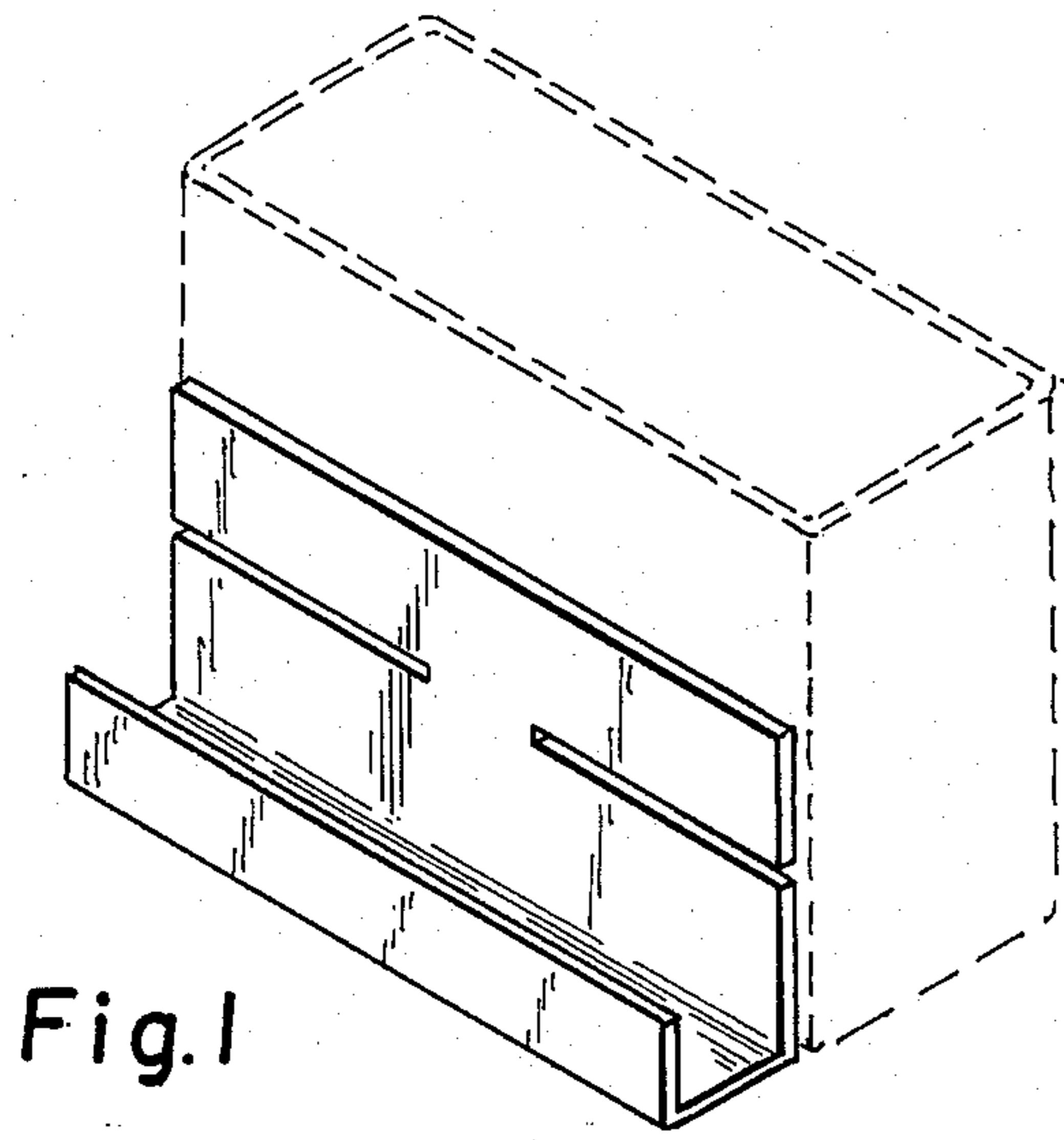


Fig. 1

Fig. 2

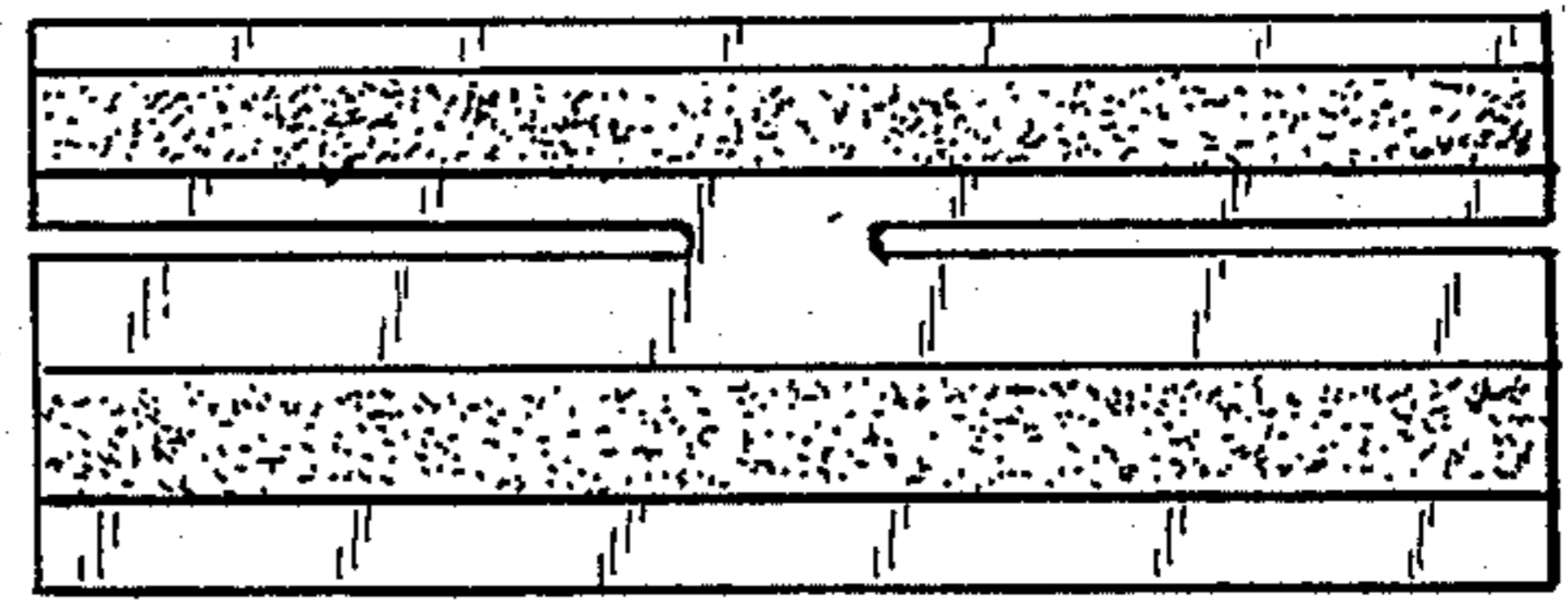
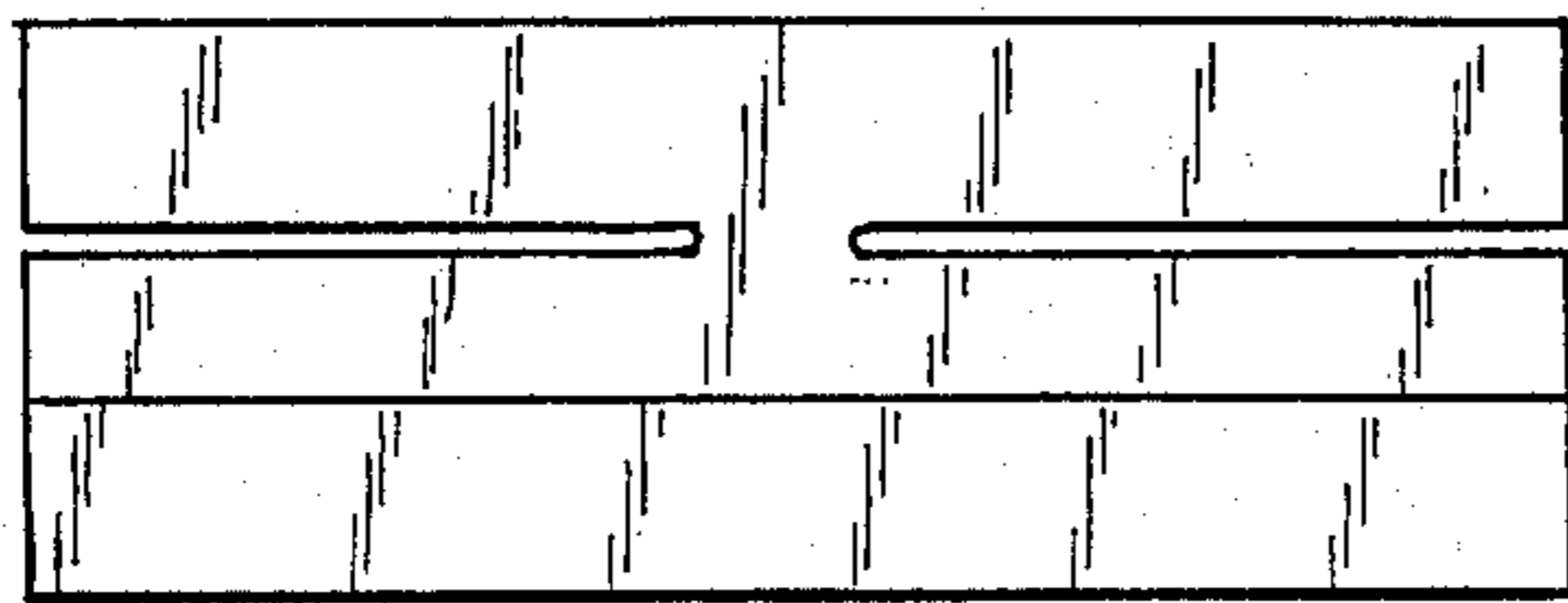


Fig. 3

Fig. 4

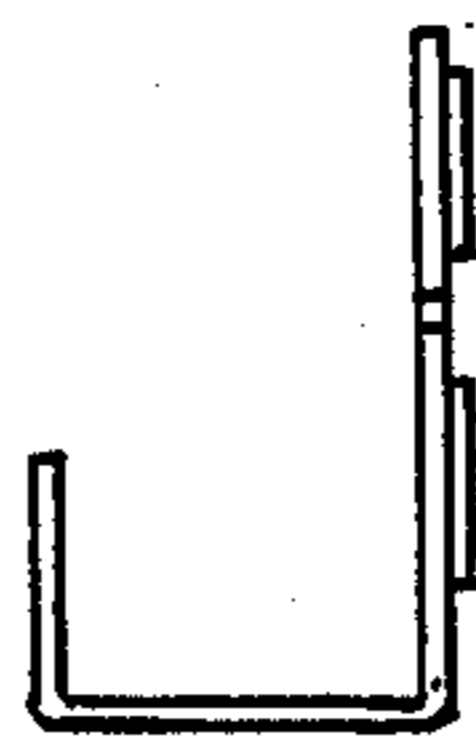


Fig. 5