

[54] CAT LITTER BOX

[75] Inventor: Melaney L. Conner, Burleson, Tex.

[73] Assignee: Dorskocil Manufacturing Co., Inc.,  
Arlington, Tex.

[\*] Notice: The portion of the term of this patent  
subsequent to May 2, 2003 has been  
disclaimed.

[\*\*] Term: 14 Years

[21] Appl. No.: 60,851

[22] Filed: Jun. 12, 1987

[52] U.S. Cl. .... D30/161

[58] Field of Search ..... D30/108-120,  
D30/161, 162, 199; 119/1, 19, 29

D. 214,566 7/1969 Swinney ..... D30/109

D. 220,961 6/1971 Ringelman et al. .... D30/109

D. 227,126 6/1973 Brison ..... D30/109

3,490,417 1/1970 Swinney ..... D30/109 X

4,696,257 9/1987 Neary et al. .... 119/19 X

Primary Examiner—James R. Largen  
Attorney, Agent, or Firm—Charles W. McHugh

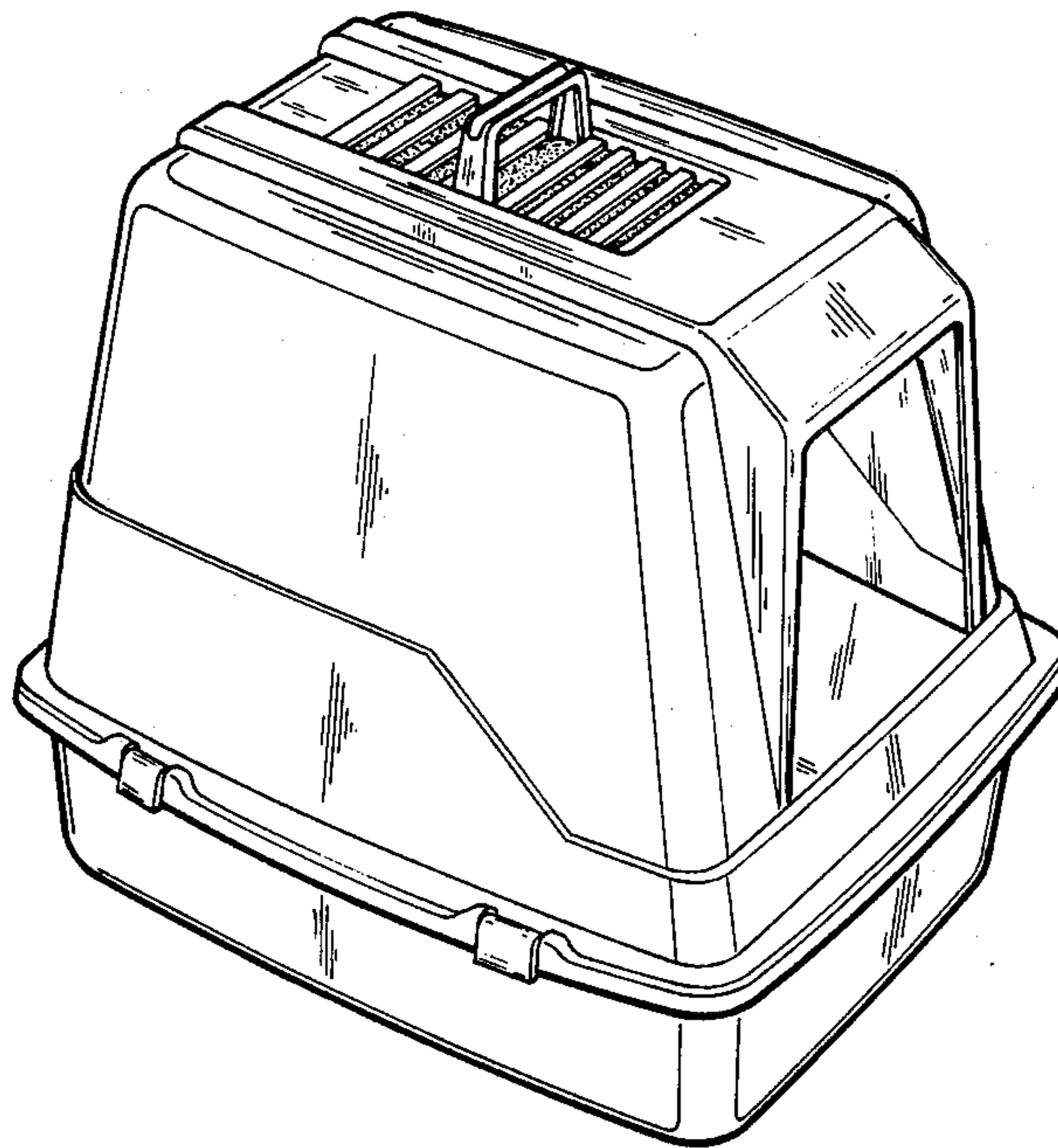
[57] CLAIM

The ornamental design for a cat litter box, as shown and described.

DESCRIPTION

FIG. 1 is a perspective view taken from the top, front and left side of a cat litter box, showing my new design; FIG. 2 is a top plan view thereof; FIG. 3 is a bottom plan view thereof; FIG. 4 is a left side elevational view thereof, the right side being a mirror image of the left side shown; FIG. 5 is a front elevational view thereof; and FIG. 6 is a rear elevational view thereof.

[56] References Cited  
U.S. PATENT DOCUMENTS  
D. 189,237 11/1960 Hufeisen et al. .... D30/109



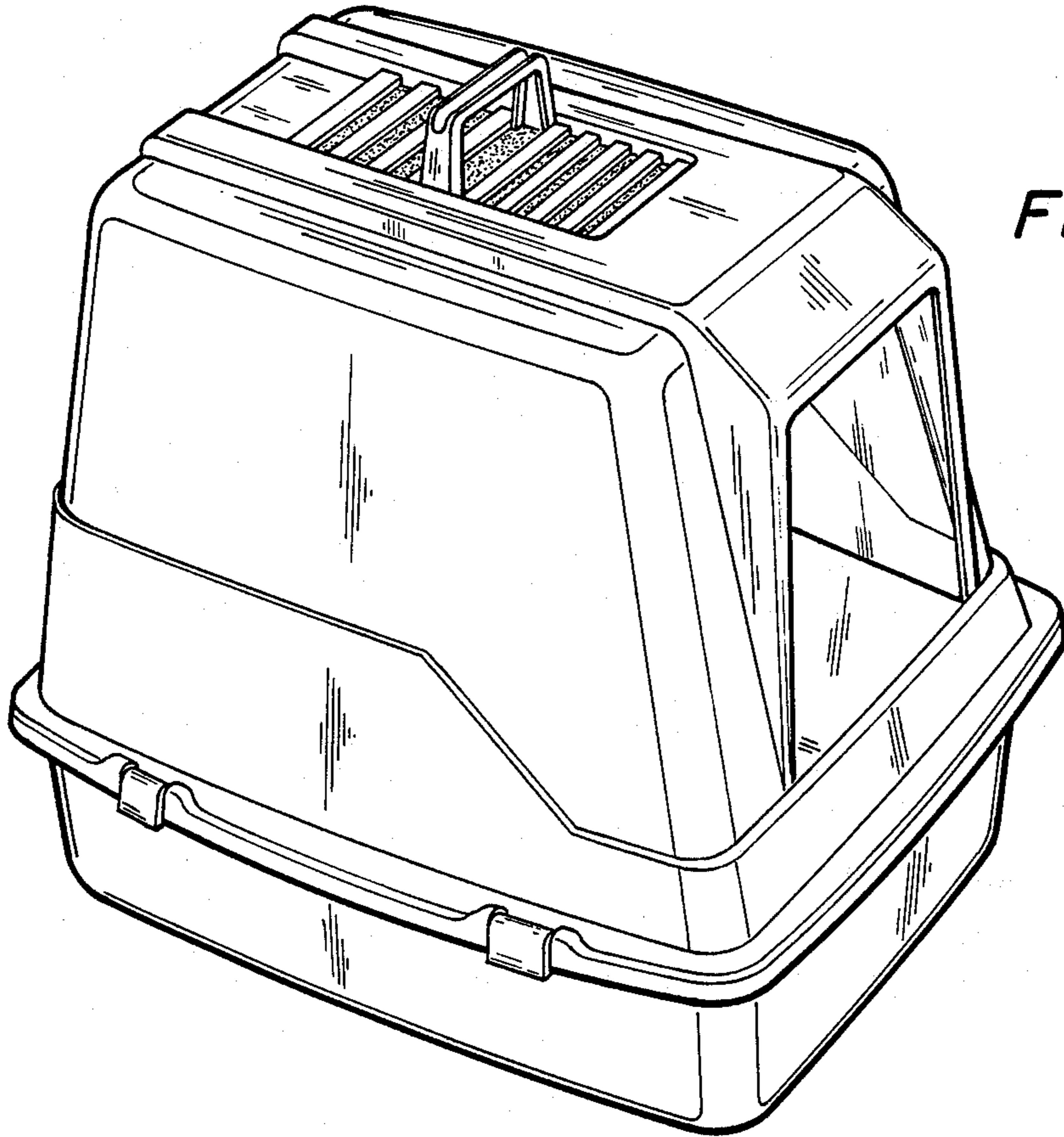


FIG. 1

FIG. 2

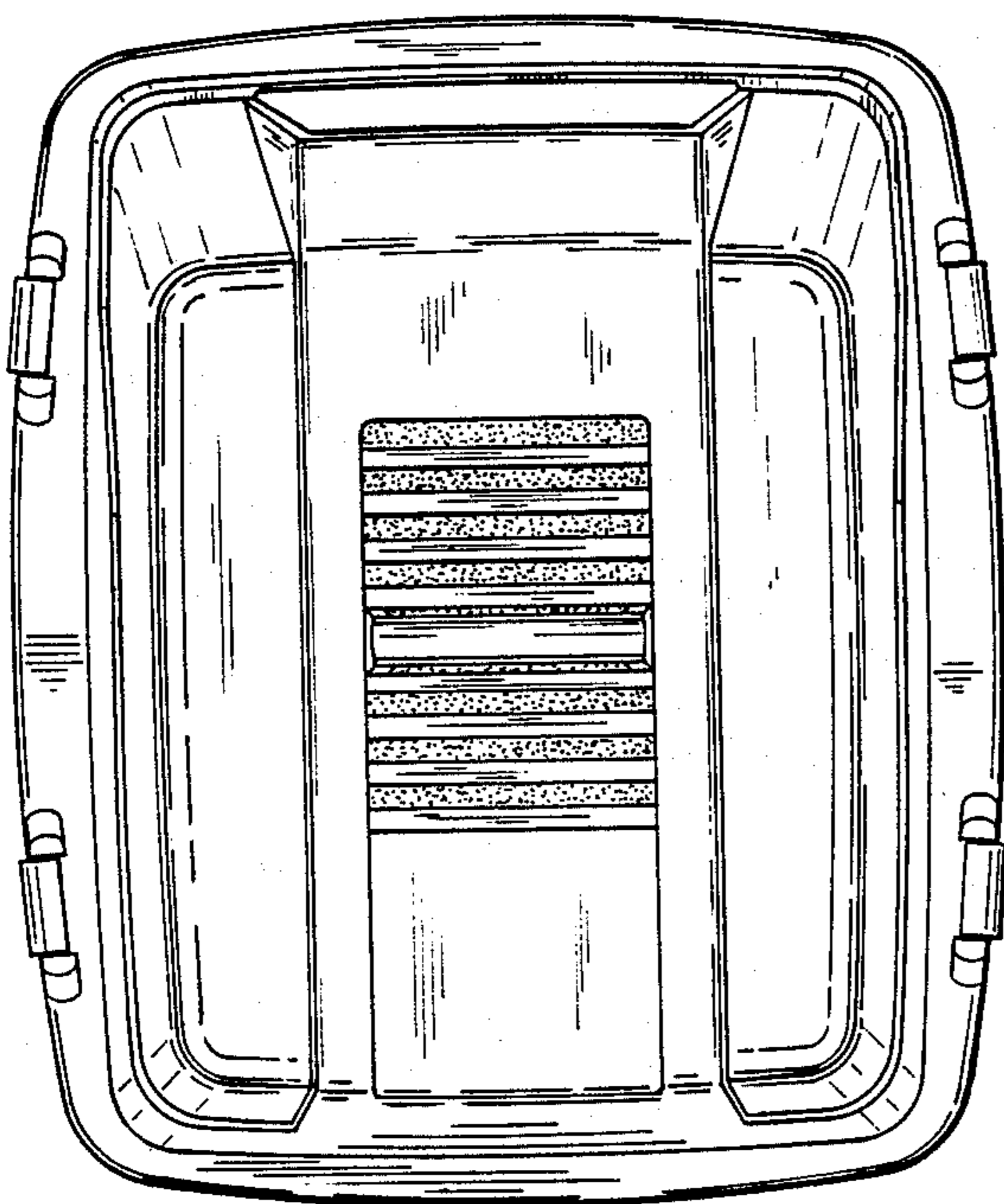
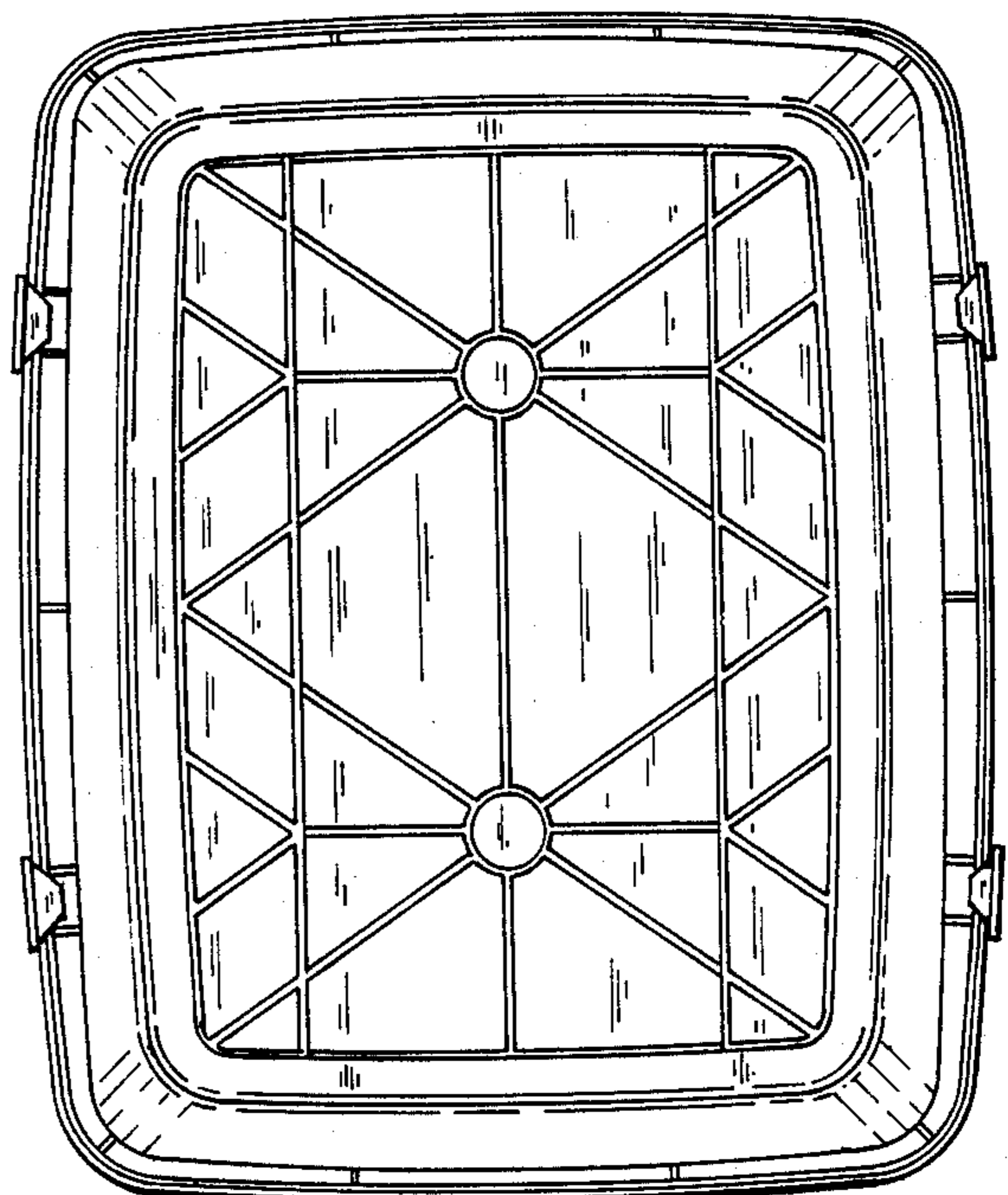


FIG. 3



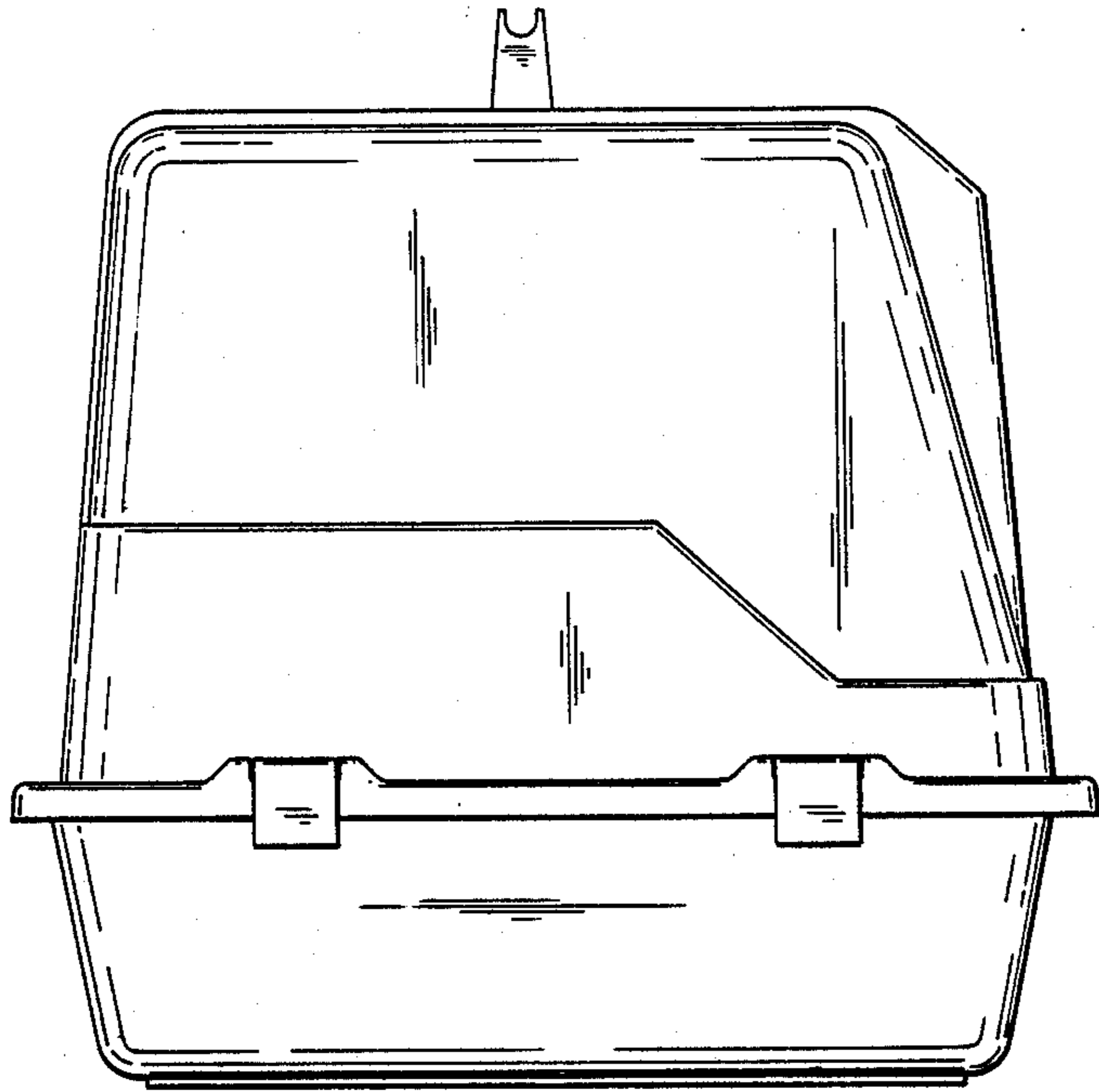


FIG. 4

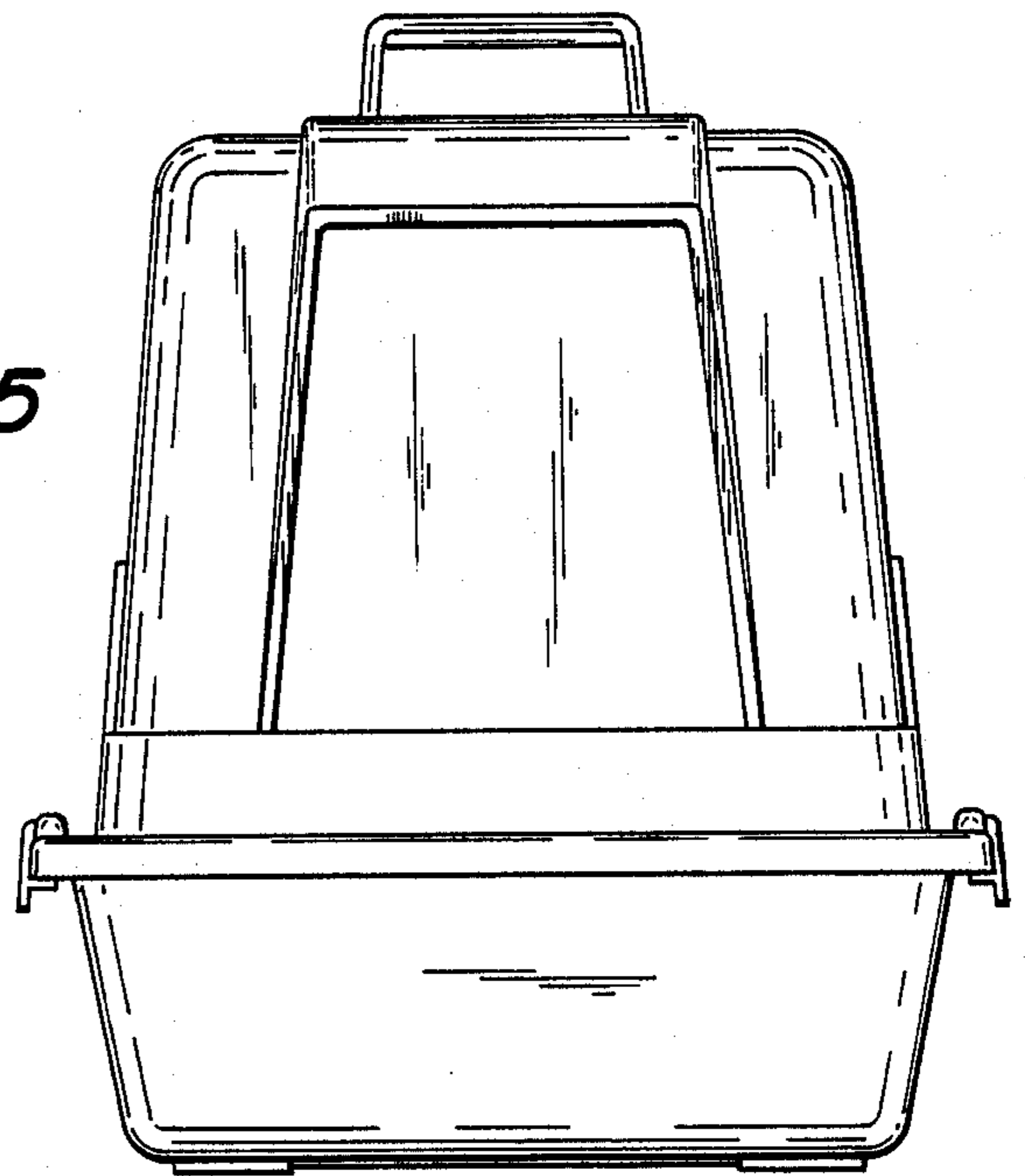


FIG. 5

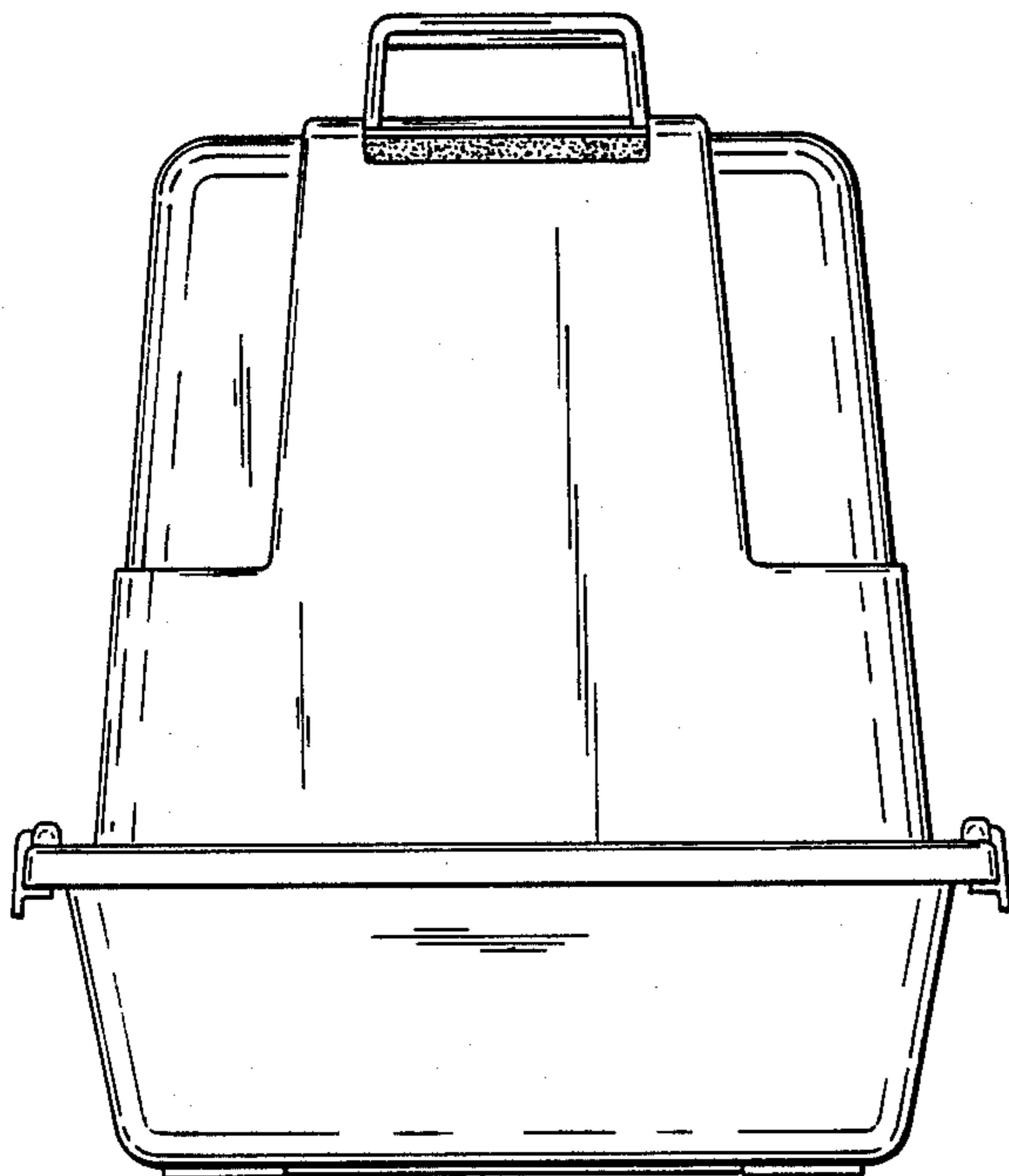


FIG. 6