

# United States Patent [19]

Conner

[11] Patent Number: **Des. 300,967**

[45] Date of Patent: **\*\* May 2, 1989**

[54] **CAT LITTER BOX**

[75] Inventor: **Melaney L. Conner, Burleson, Tex.**

[73] Assignee: **Doskocil Manufacturing Co., Inc., Arlington, Tex.**

[\*] Notice: The portion of the term of this patent subsequent to May 2, 2003 has been disclaimed.

[\*\*] Term: **14 Years**

[21] Appl. No.: **60,847**

[22] Filed: **Jun. 12, 1987**

[52] U.S. Cl. .... **D30/161**

[58] Field of Search ..... **D30/108-120, D30/161, 162, 199; 119/1, 19, 29**

D. 214,566 7/1969 Swinney ..... D30/109  
 D. 220,961 6/1971 Ringelman et al. .... D30/109  
 D. 227,126 6/1973 Brison ..... D30/109  
 3,490,417 1/1970 Swinney ..... D30/109 X  
 4,696,257 9/1987 Neary et al. .... 119/19 X

*Primary Examiner*—James R. Largen  
*Attorney, Agent, or Firm*—Charles W. McHugh

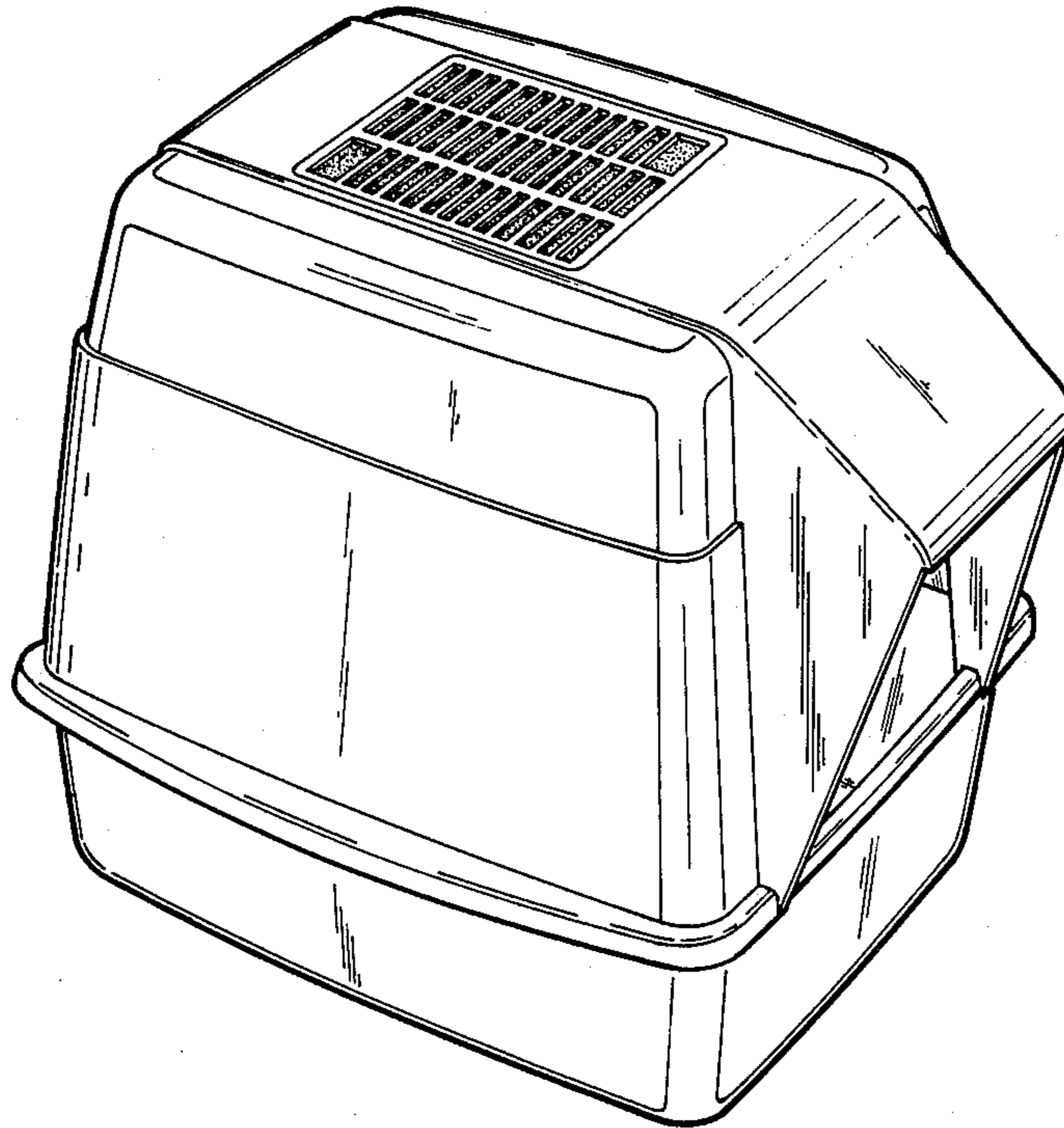
### [57] CLAIM

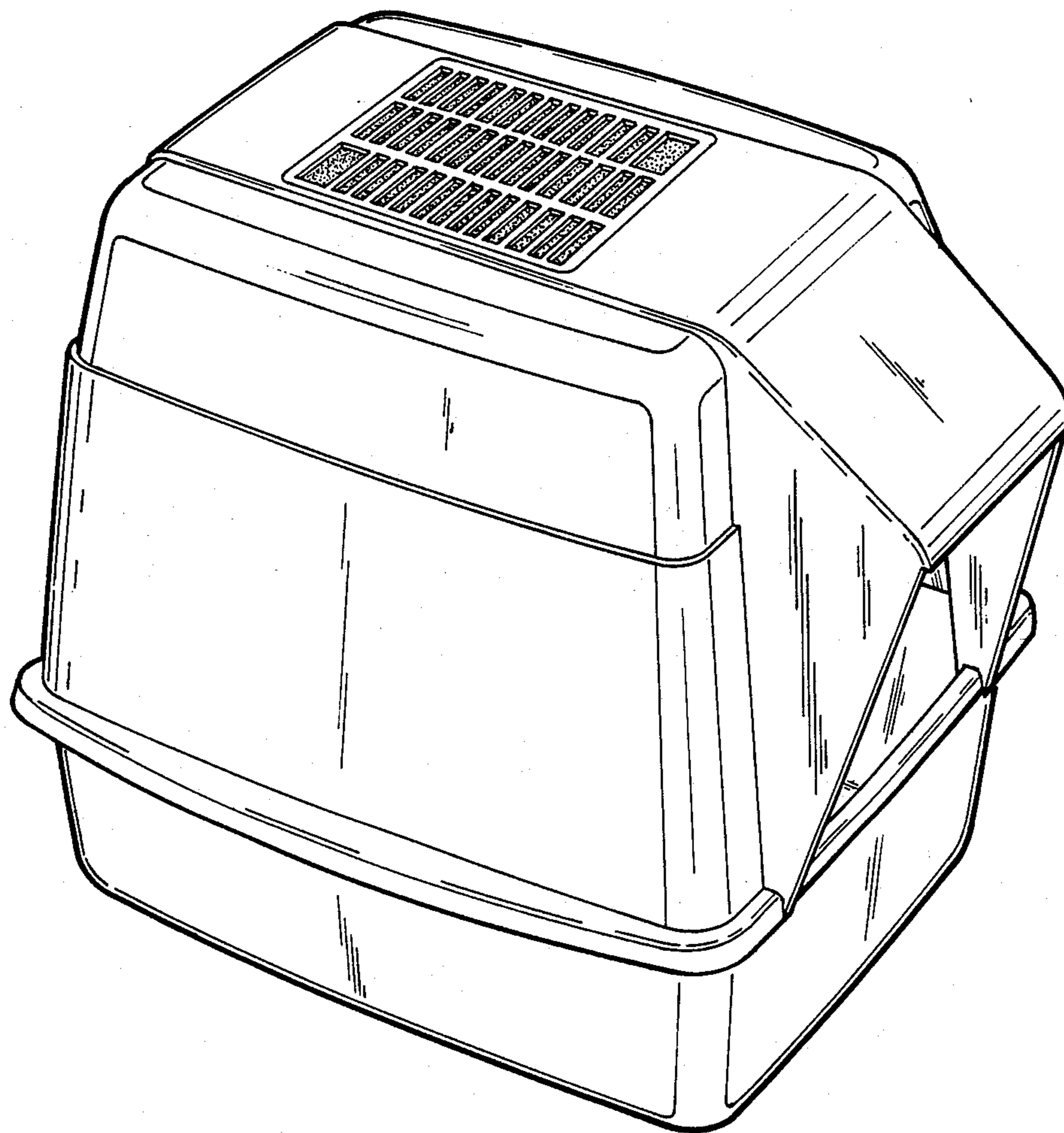
The ornamental design for a cat litter box, as shown and described.

### DESCRIPTION

FIG. 1 is a perspective view taken from the top, front and left side of a cat litter box, showing my new design; FIG. 2 is a top plan view thereof; FIG. 3 is a bottom plan view thereof; FIG. 4 is a left side elevational view thereof, the right side being a mirror image of the left side shown; FIG. 5 is a front elevational view thereof; and FIG. 6 is a rear elevational view thereof.

[56] **References Cited**  
**U.S. PATENT DOCUMENTS**  
 D. 189,237 11/1960 Hufeisen et al. .... D30/109





**FIG. 1**

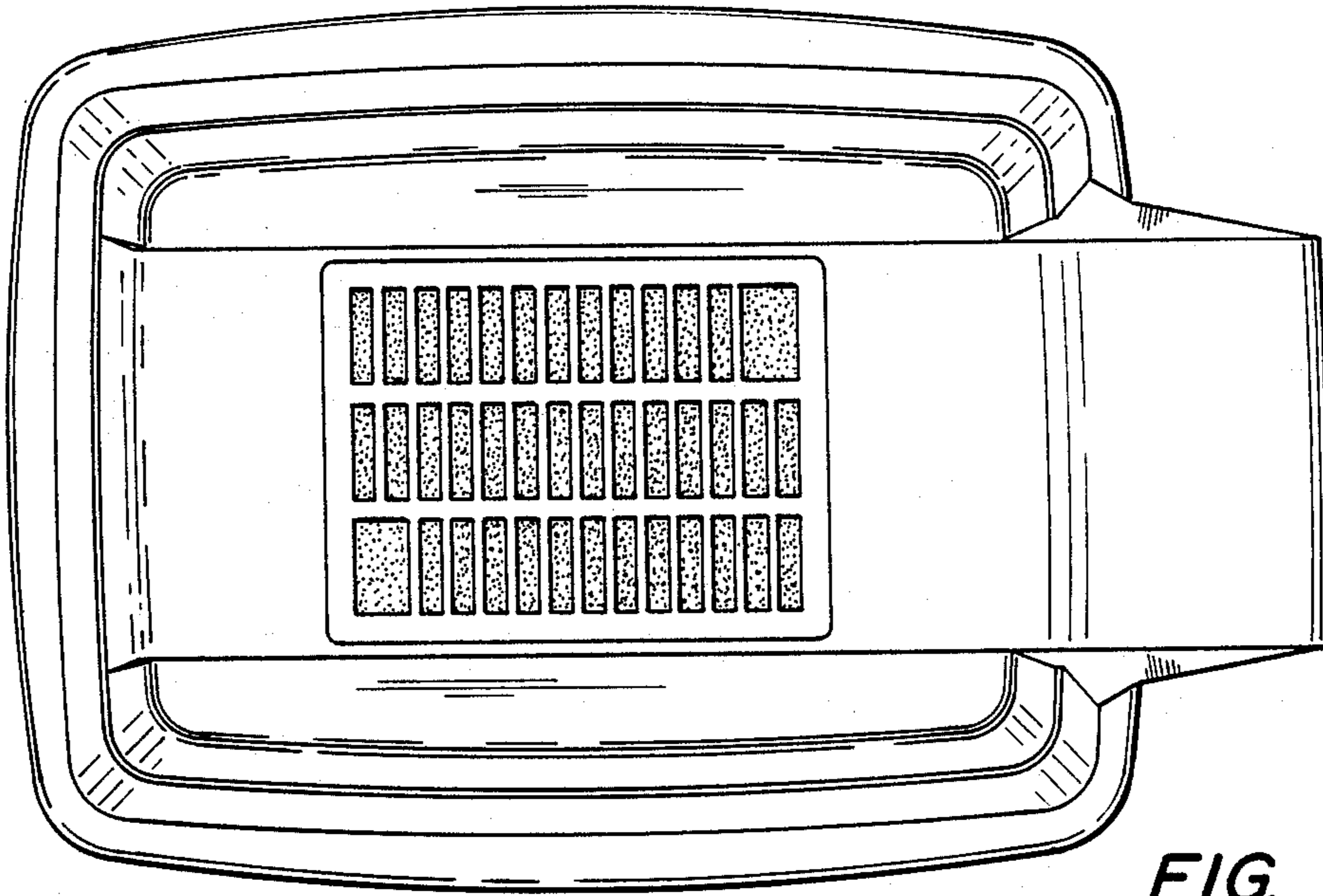


FIG. 2

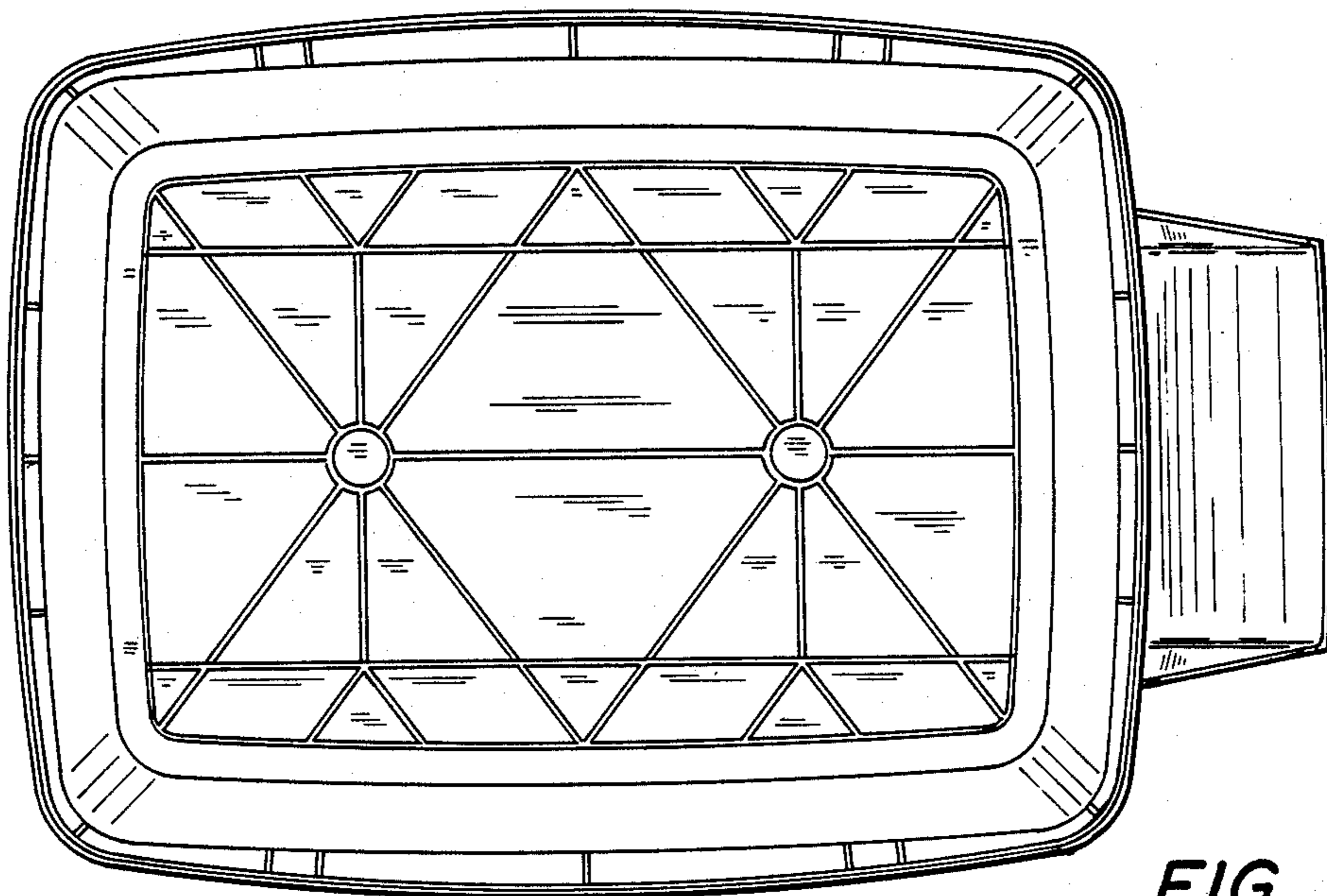
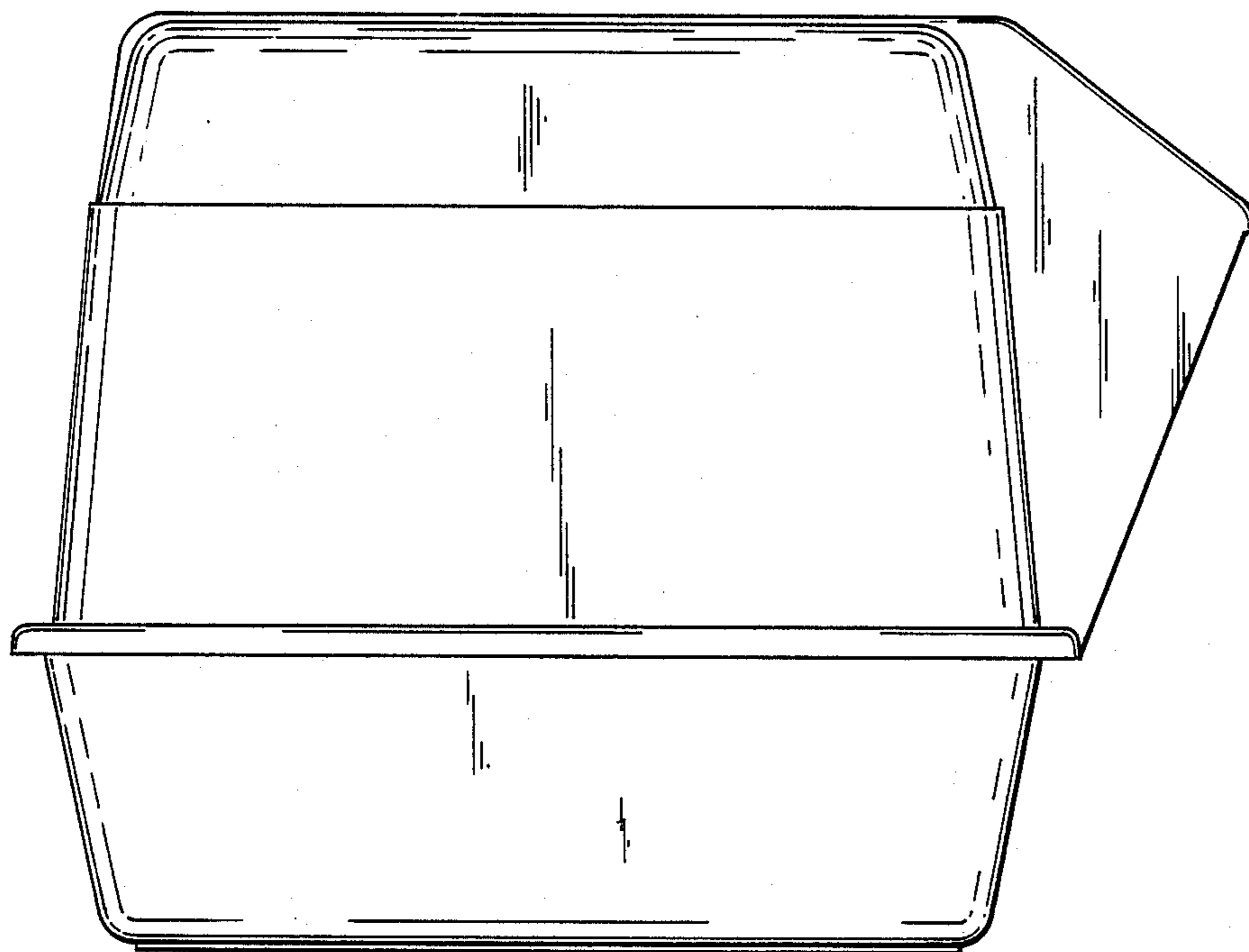
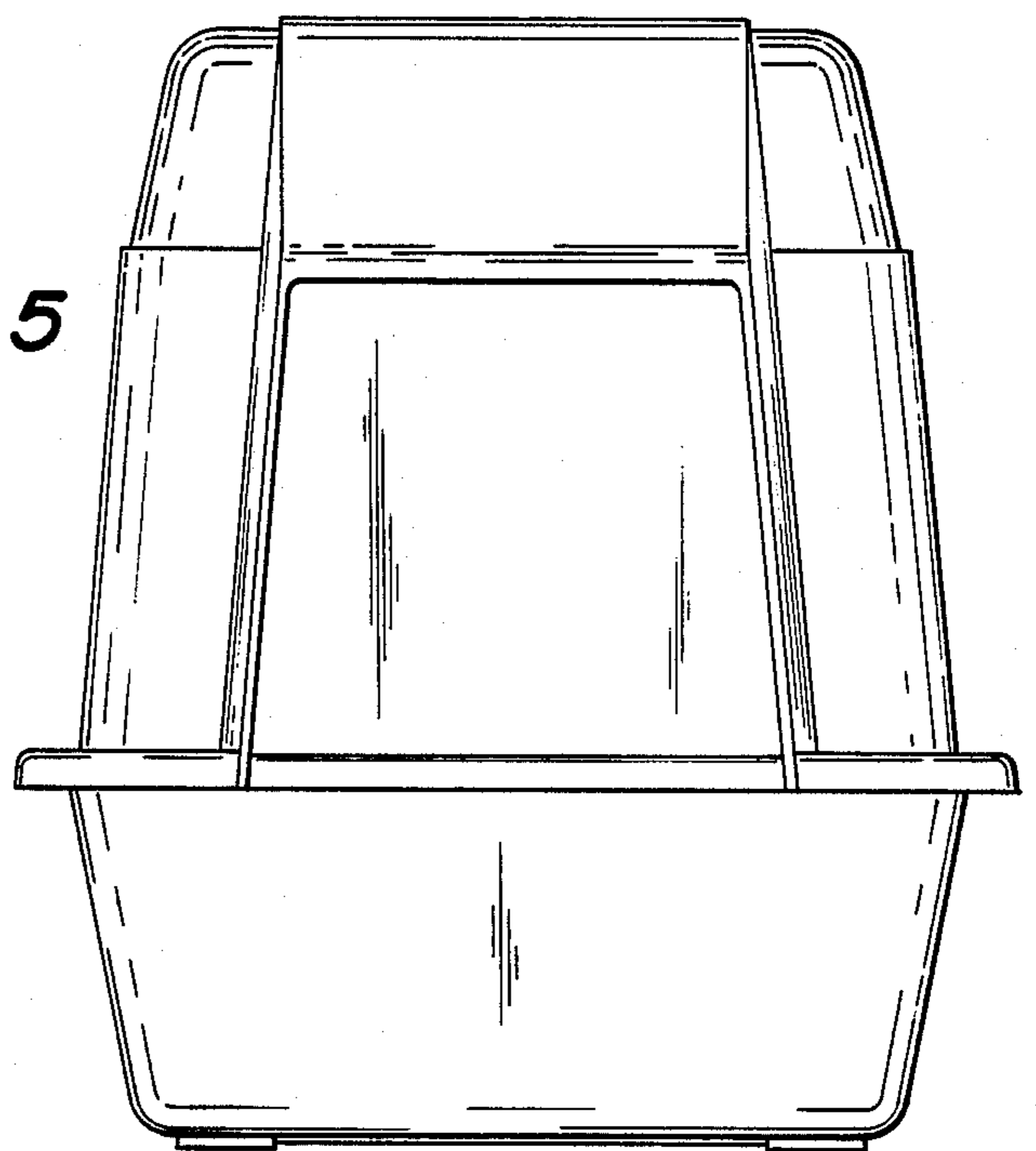


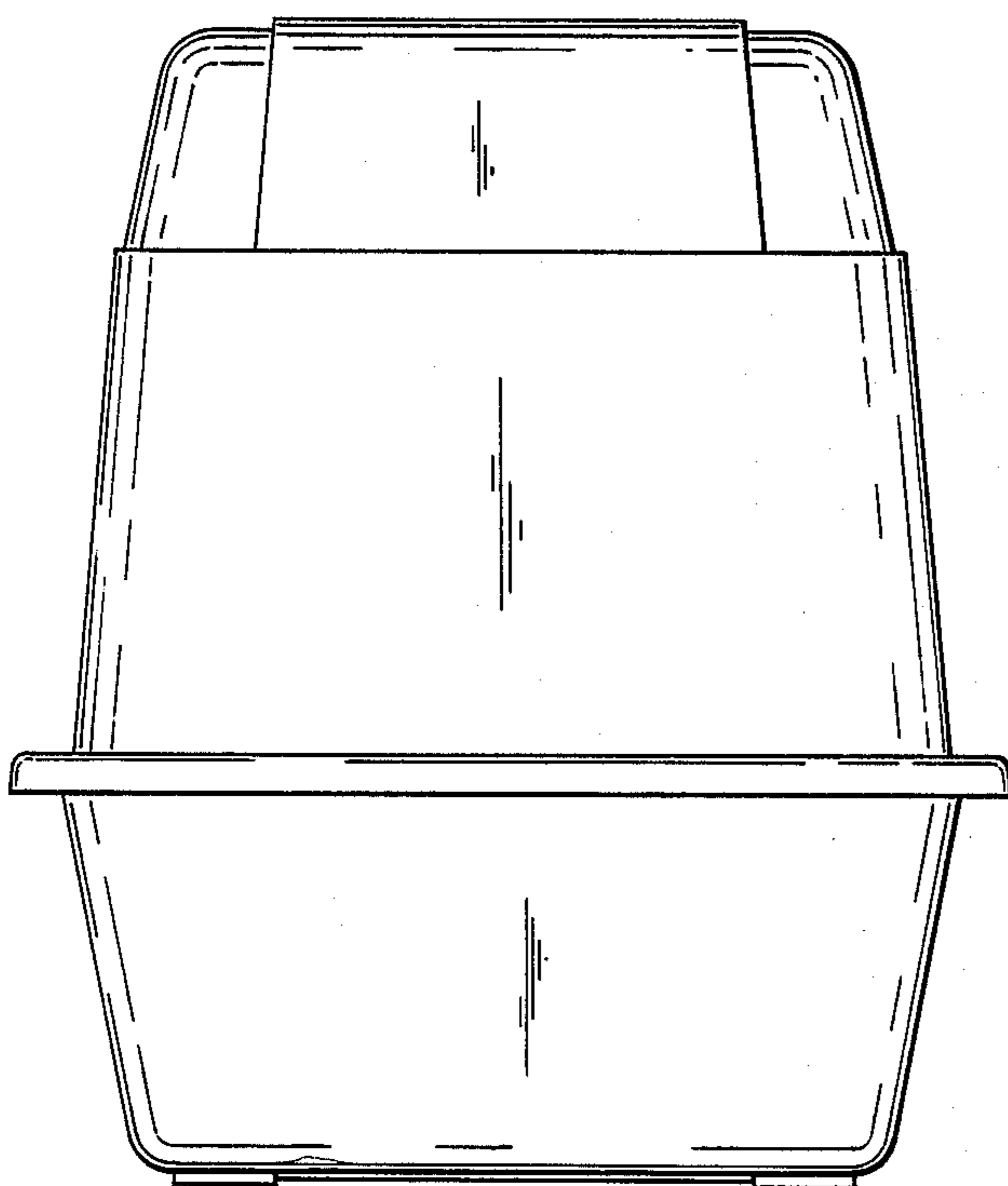
FIG. 3



**FIG. 4**



**FIG. 5**



**FIG. 6**