

United States Patent [19]

Conner

[11] Patent Number: **Des. 300,966**

[45] Date of Patent: **** May 2, 1989**

[54] **CAT LITTER BOX**

[75] Inventor: **Melaney L. Conner, Burleson, Tex.**

[73] Assignee: **Doskocil Manufacturing Co., Inc.,
Arlington, Tex.**

[*] Notice: **The portion of the term of this patent
subsequent to May 2, 2003 has been
disclaimed.**

[**] Term: **14 Years**

[21] Appl. No.: **60,845**

[22] Filed: **Jun. 12, 1987**

[52] U.S. Cl. **D30/161**

[58] Field of Search **D30/108-120,
D30/161, 162, 199; 119/1, 19, 29**

[56] **References Cited**

U.S. PATENT DOCUMENTS

D. 189,237 11/1960 Hufeisen et al. D30/109

D. 214,566 7/1969 Swinney D30/109

D. 220,961 6/1971 Ringelman et al. D30/109

D. 227,126 6/1973 Brison D30/109

3,490,417 1/1970 Swinney D30/109 X

4,696,257 9/1987 Neary et al. 119/19 X

Primary Examiner—James R. Largen

Attorney, Agent, or Firm—Charles W. McHugh

[57] **CLAIM**

The ornamental design for a cat litter box, as shown and described.

DESCRIPTION

FIG. 1 is a perspective view taken from the top, front and left side of a cat litter box, showing my new design;

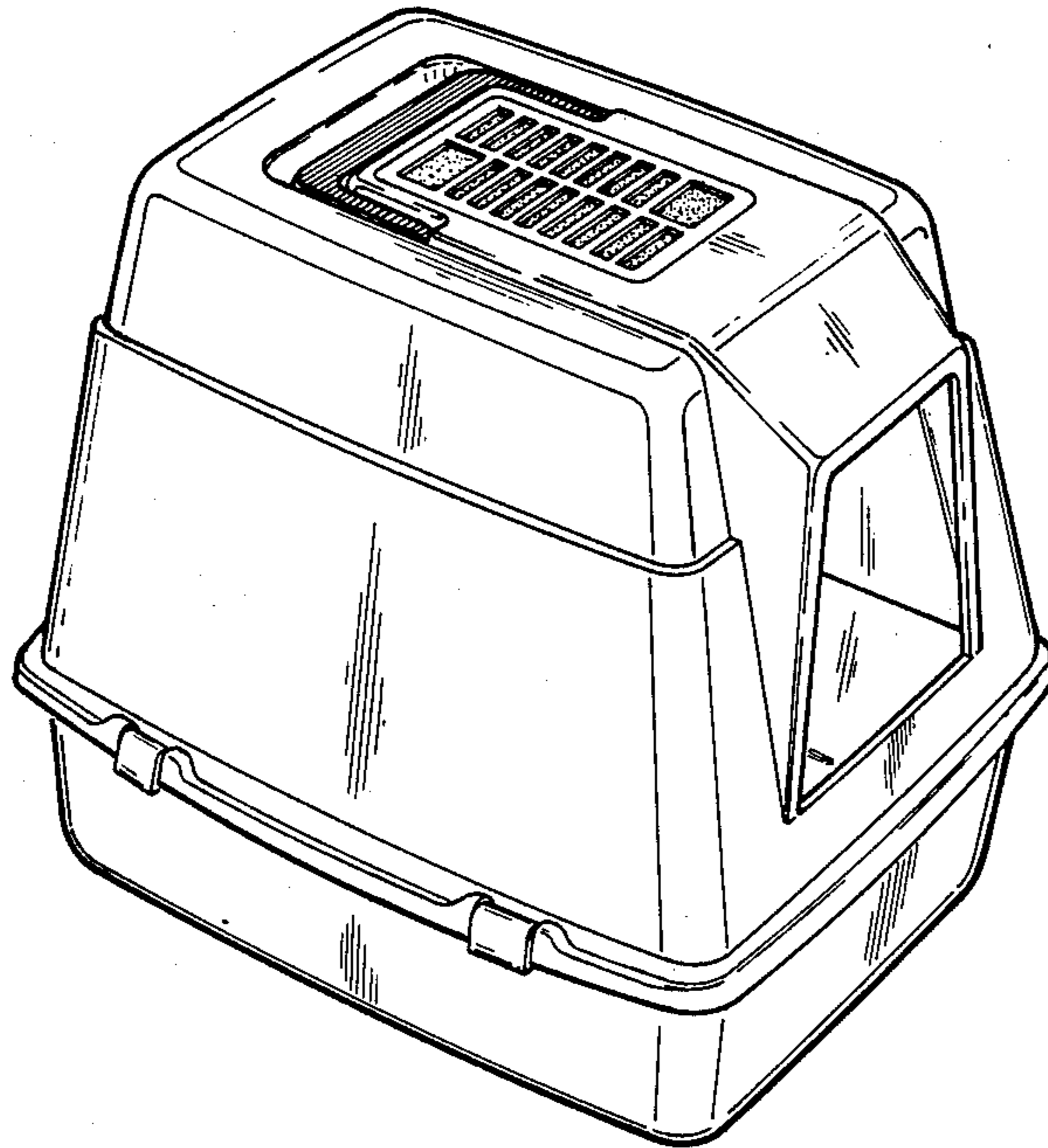
FIG. 2 is a top plan view thereof;

FIG. 3 is a bottom plan view thereof;

FIG. 4 is a left side elevational view thereof, the right side being a mirror image of the left side shown;

FIG. 5 is a front elevational view thereof; and

FIG. 6 is a rear elevational view thereof.



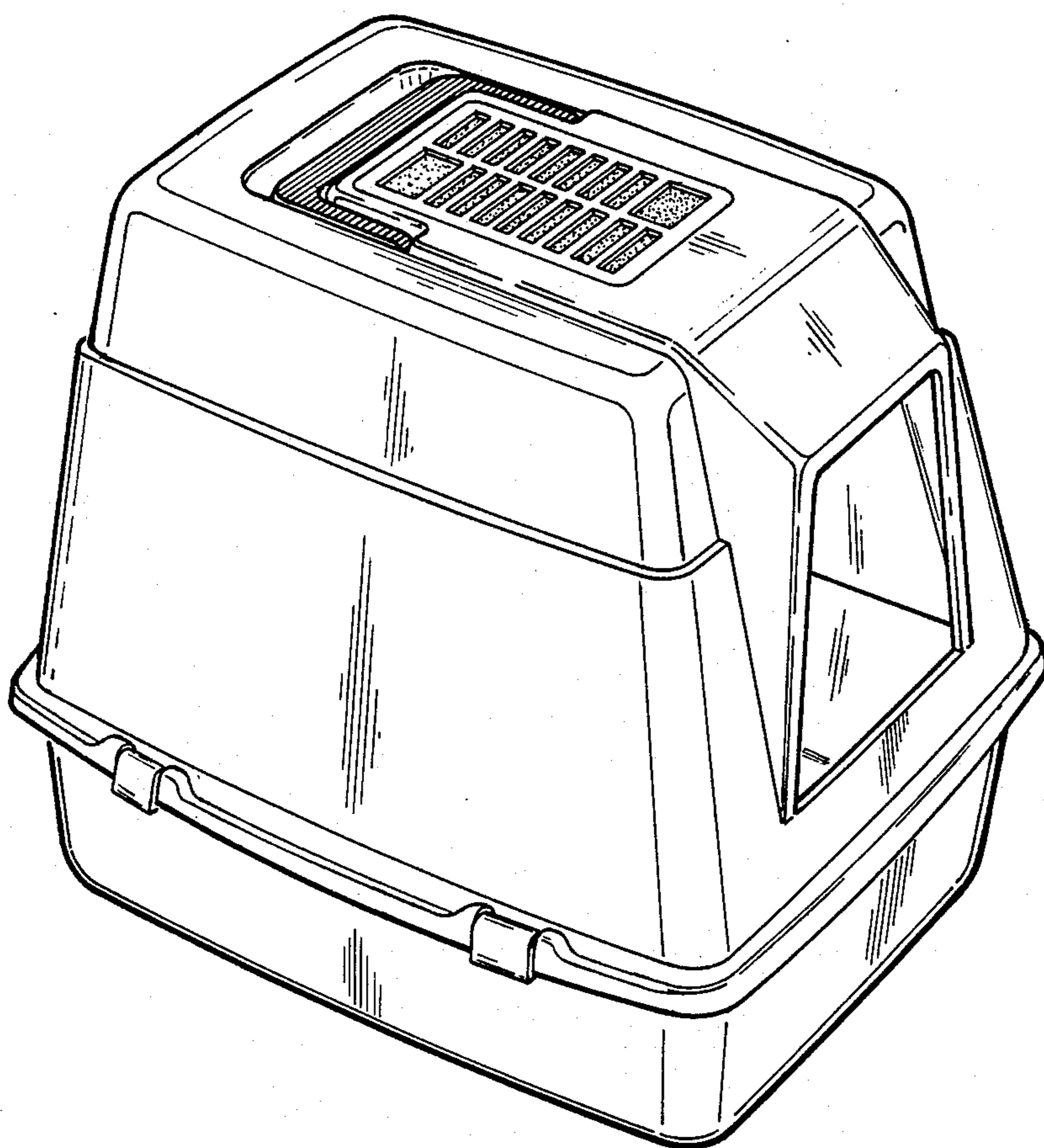


FIG. 1

FIG. 2

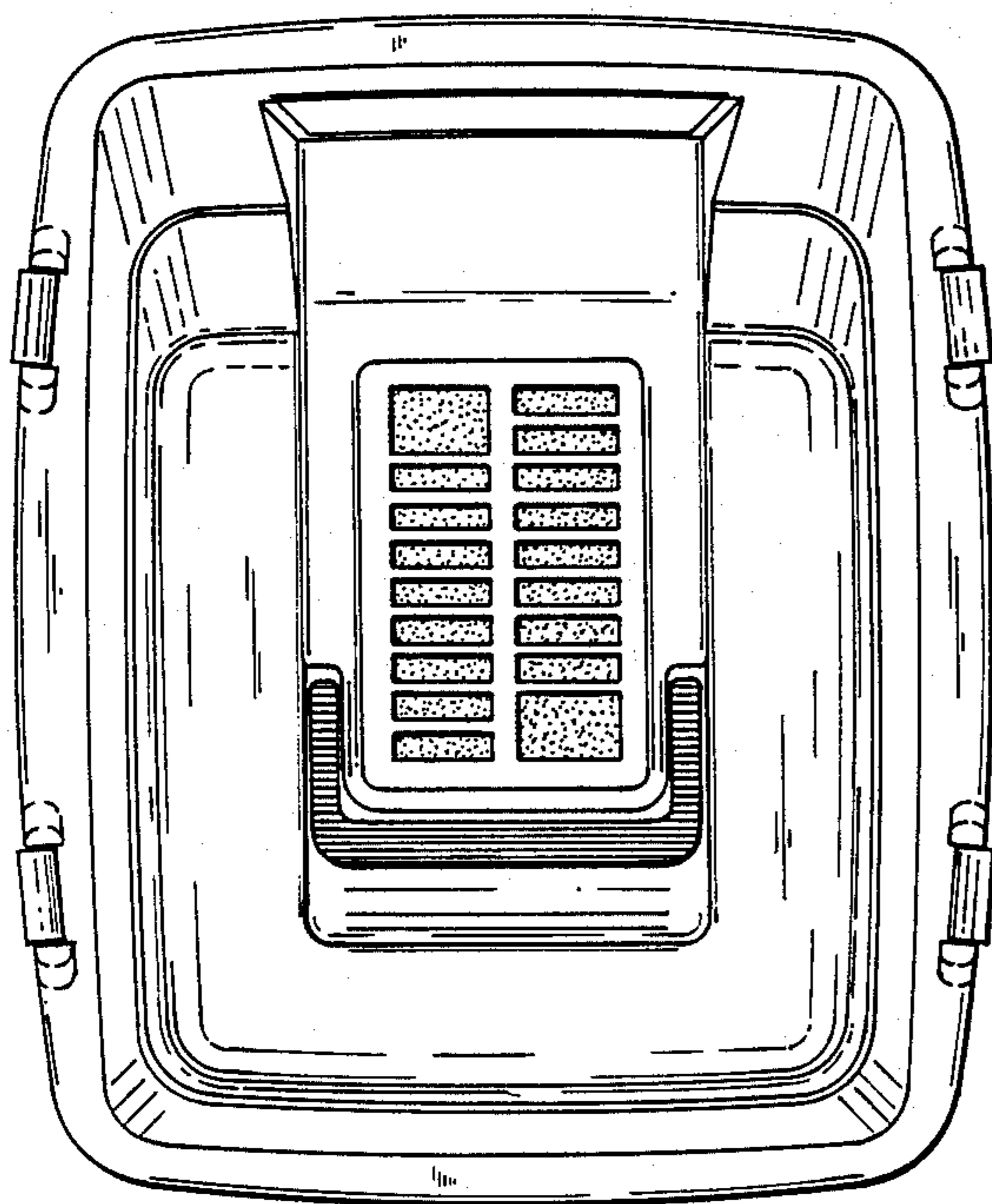
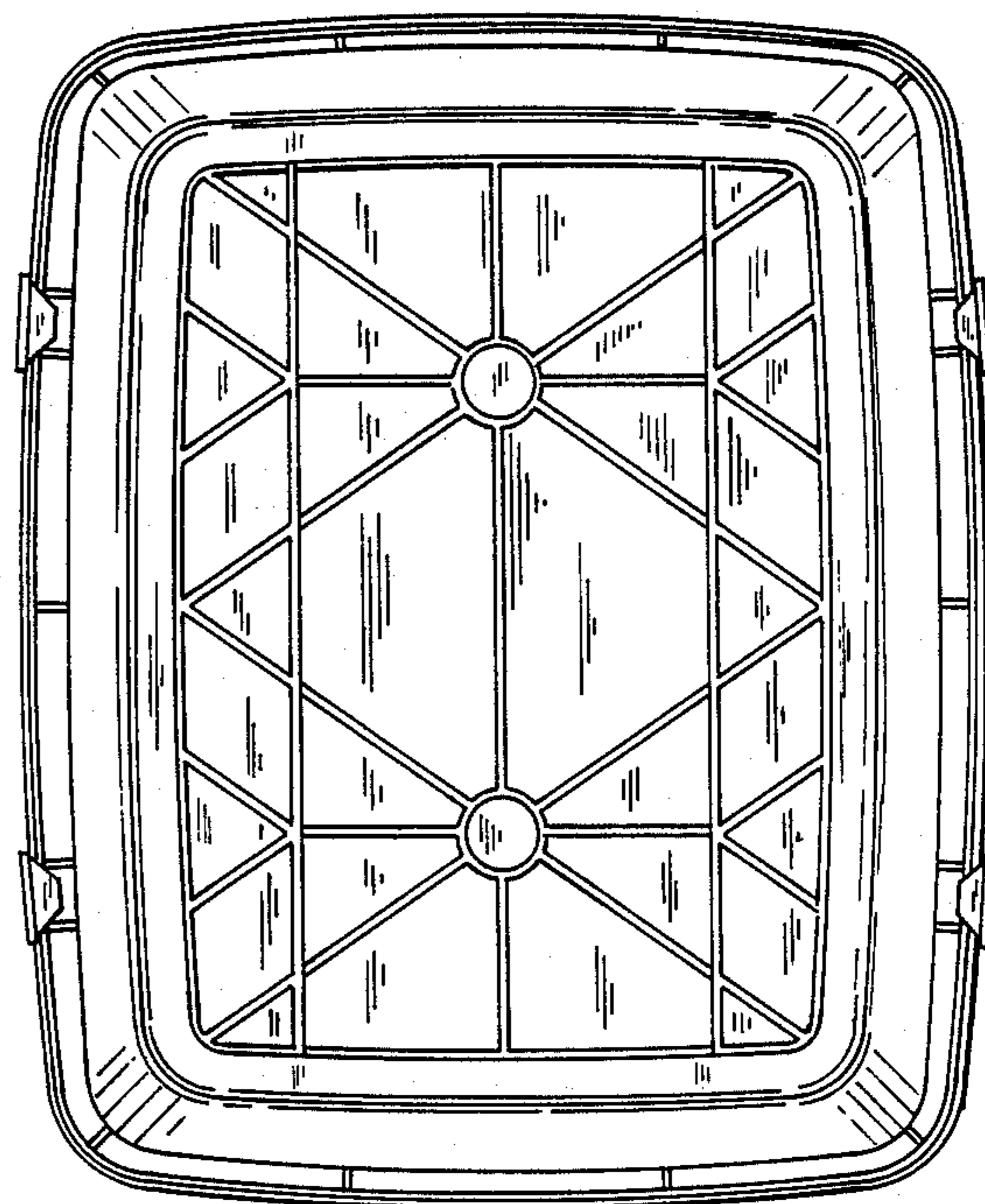


FIG. 3



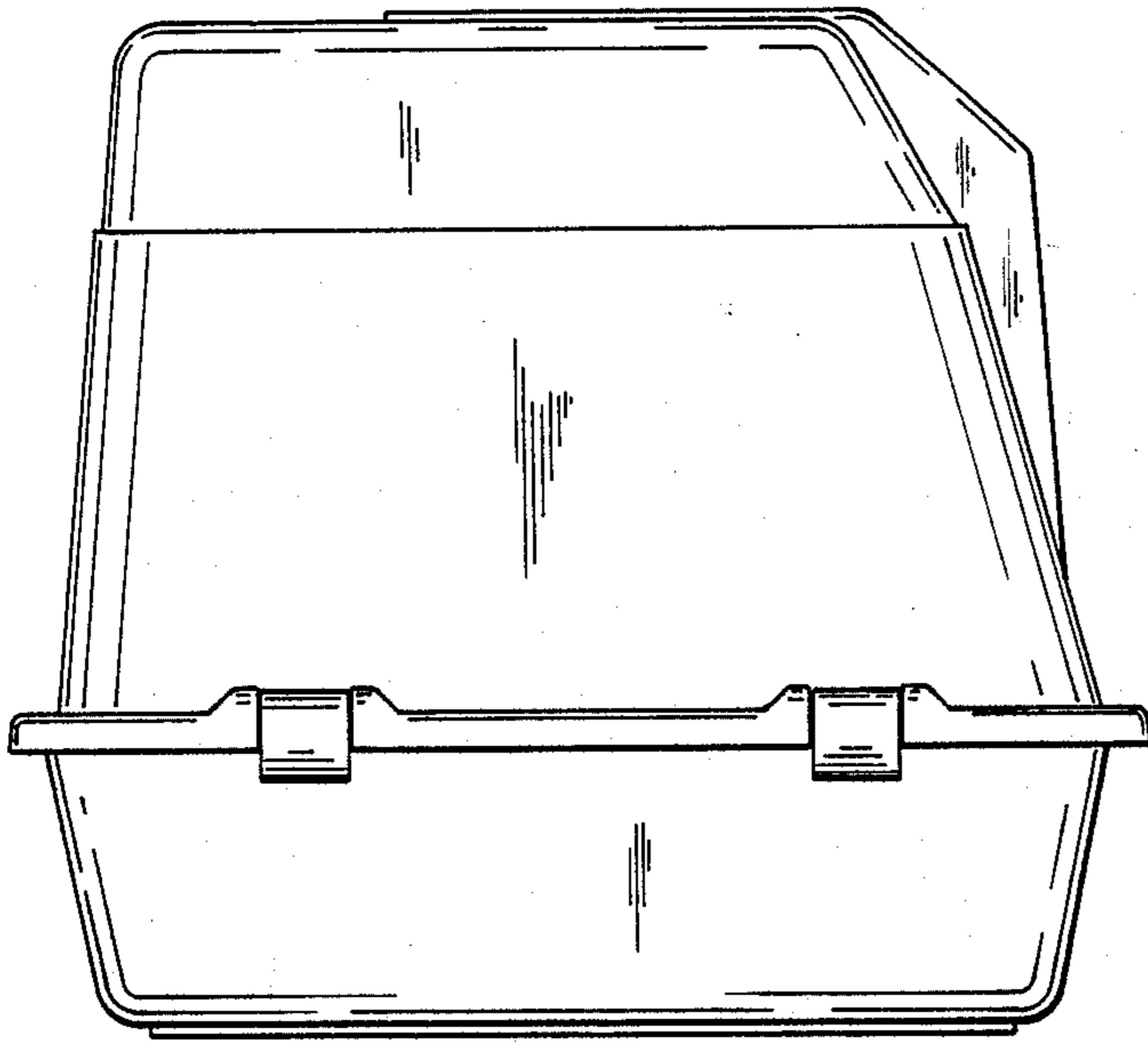


FIG. 4

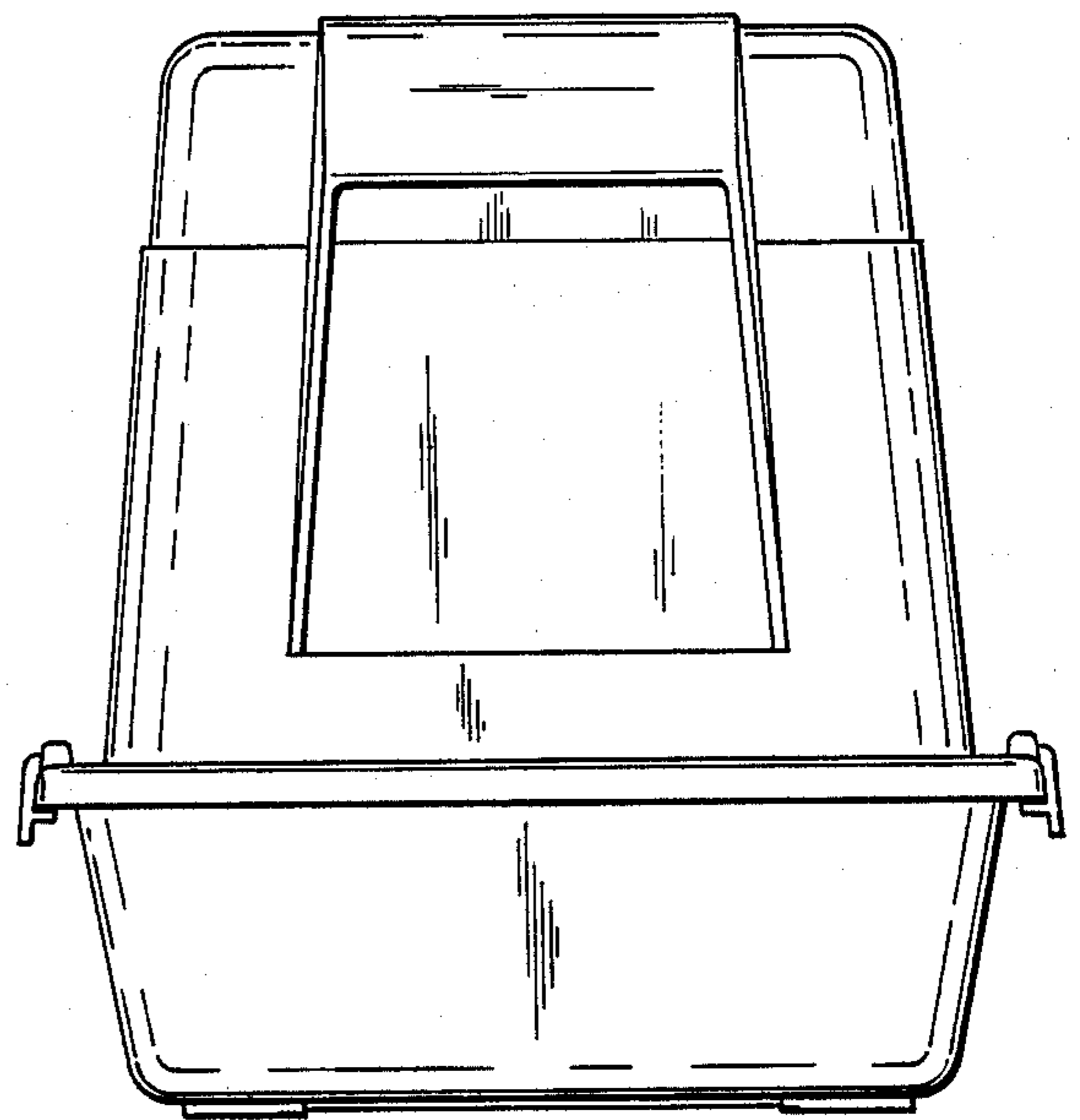


FIG. 5

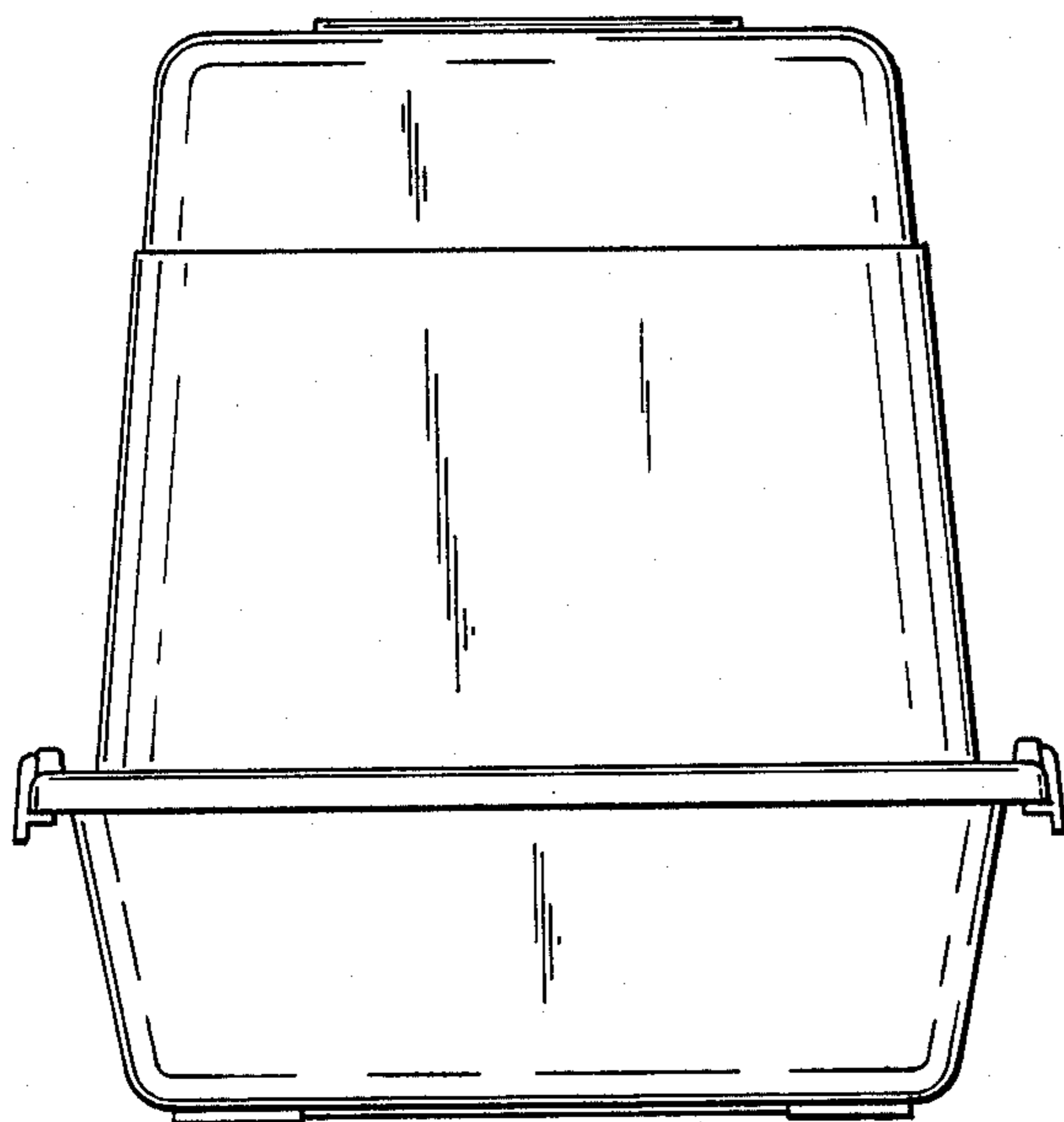


FIG. 6