

[54] **CAT LITTER BOX**
[75] **Inventor: Melaney L. Conner, Burleson, Tex.**
[73] **Assignee: Dorskocil Manufacturing Co., Inc.,
Arlington, Tex.**
[*] **Notice:** The portion of the term of this patent
subsequent to May 2, 2003 has been
disclaimed.
[**] **Term: 14 Years**
[21] **Appl. No.: 60,844**
[22] **Filed: Jun. 12, 1987**
[52] **U.S. Cl. D30/161**
[58] **Field of Search D30/108-120,
D30/161, 162, 199; 119/1, 19, 29**
[56] **References Cited**
U.S. PATENT DOCUMENTS
D. 189,237 11/1960 Hufeisen et al. D30/109

D. 214,566 7/1969 Swinneg D30/109
D. 220,961 6/1971 Ringelman et al. D30/109
D. 227,126 6/1973 Brison D30/109
3,490,417 1/1970 Swinneg D30/109 X
4,696,257 9/1987 Neary et al. 119/19 X

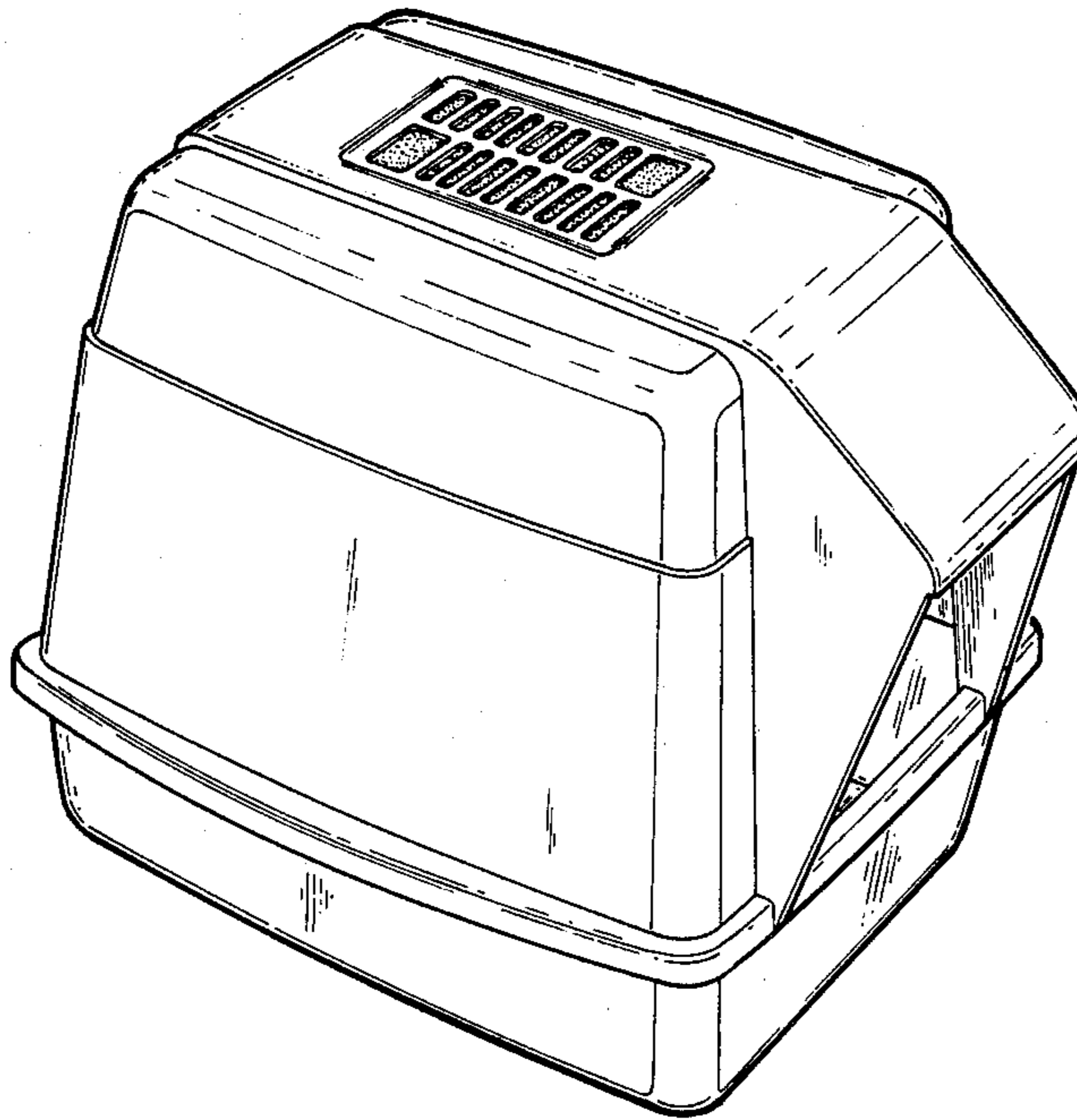
Primary Examiner—James R. Largen
Attorney, Agent, or Firm—Charles W. McHugh

[57] **CLAIM**

The ornamental design for a cat litter box, as shown and
described.

DESCRIPTION

FIG. 1 is a perspective view taken from the top, front
and left side of a cat litter box, showing my new design;
FIG. 2 is a top plan view thereof;
FIG. 3 is a bottom plan view thereof;
FIG. 4 is a left side elevational view thereof, the right
side being a mirror image of the left side shown;
FIG. 5 is a front elevational view thereof; and
FIG. 6 is a rear elevational view thereof.



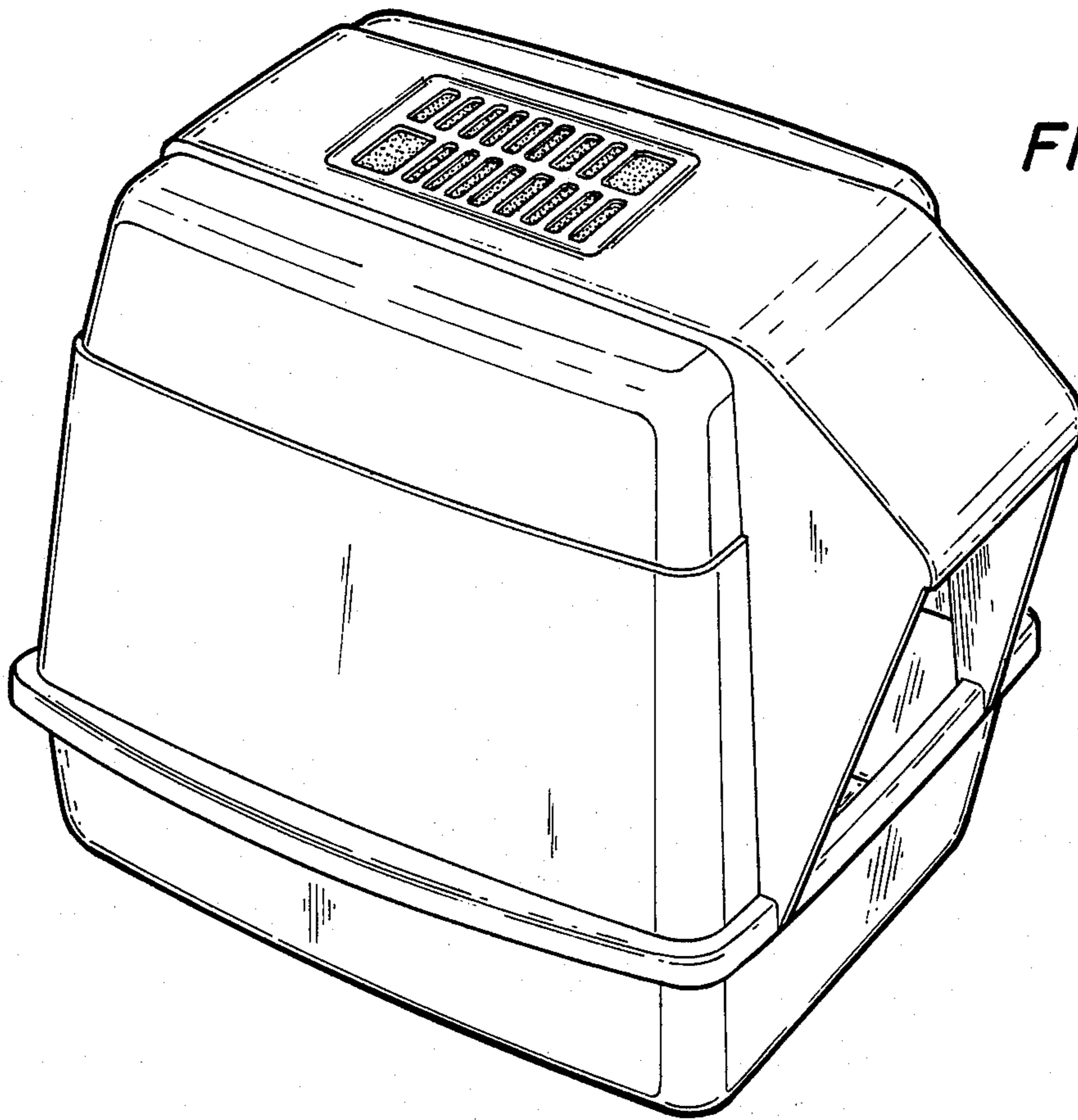


FIG. 1

FIG. 2

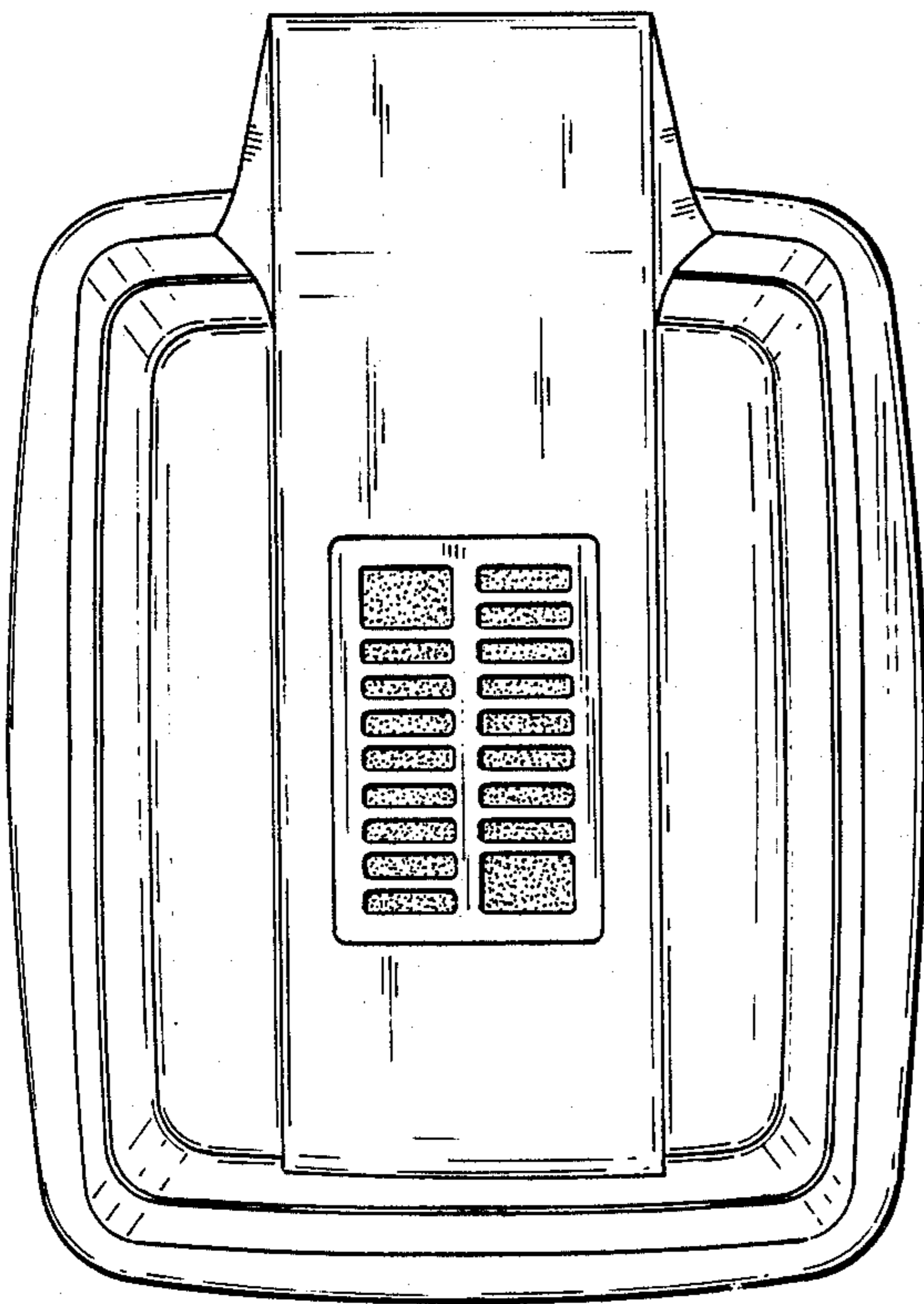
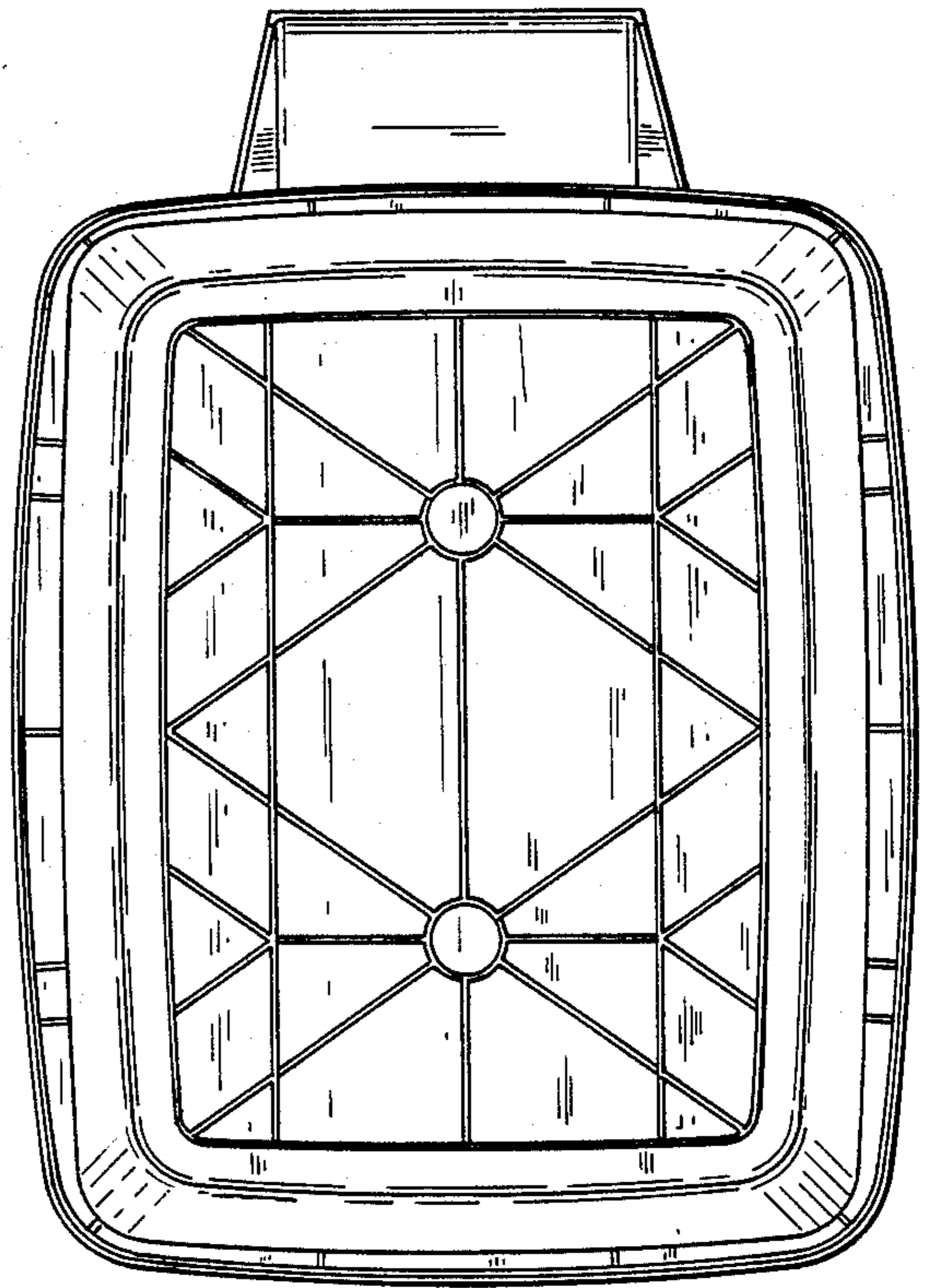


FIG. 3



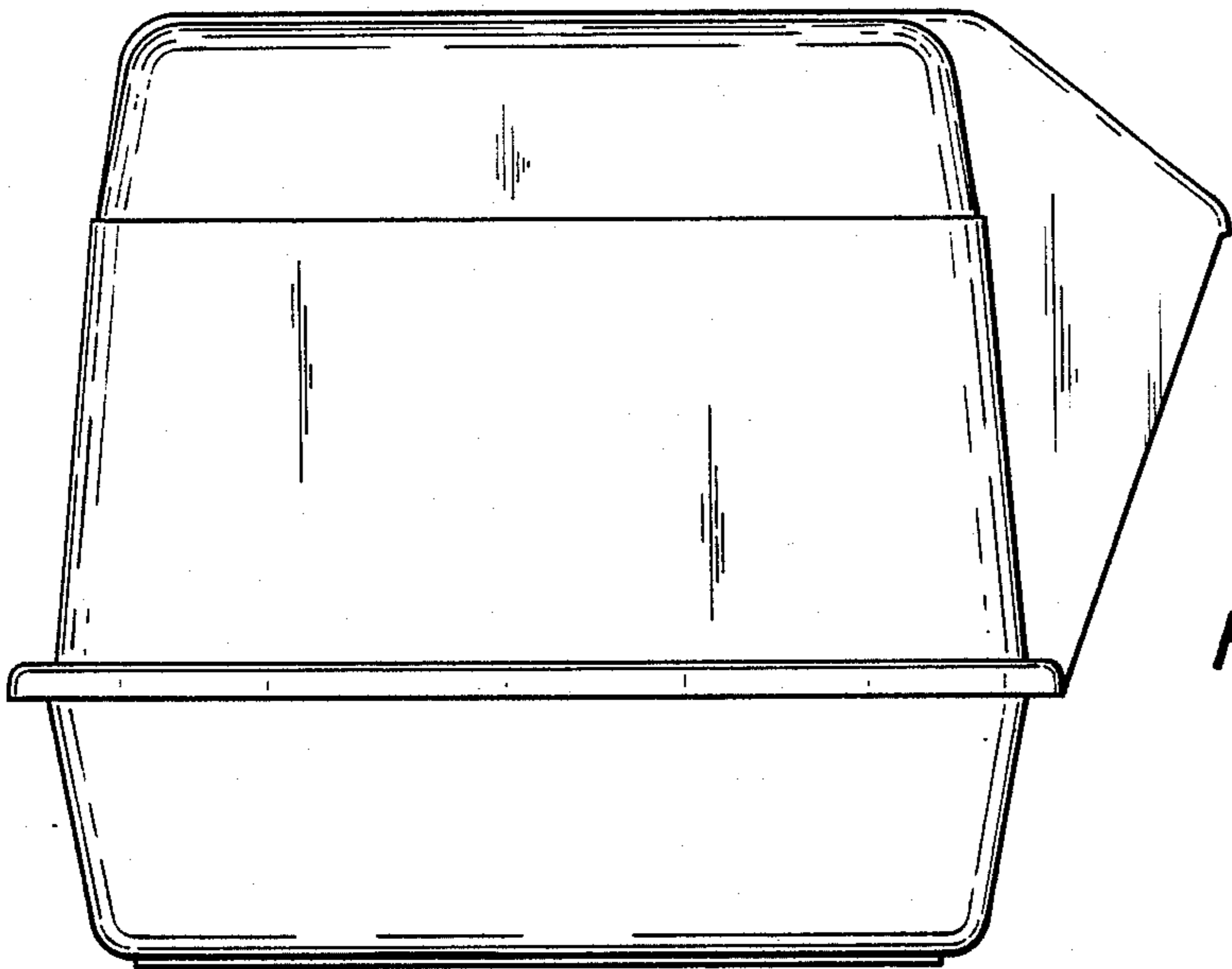


FIG. 4

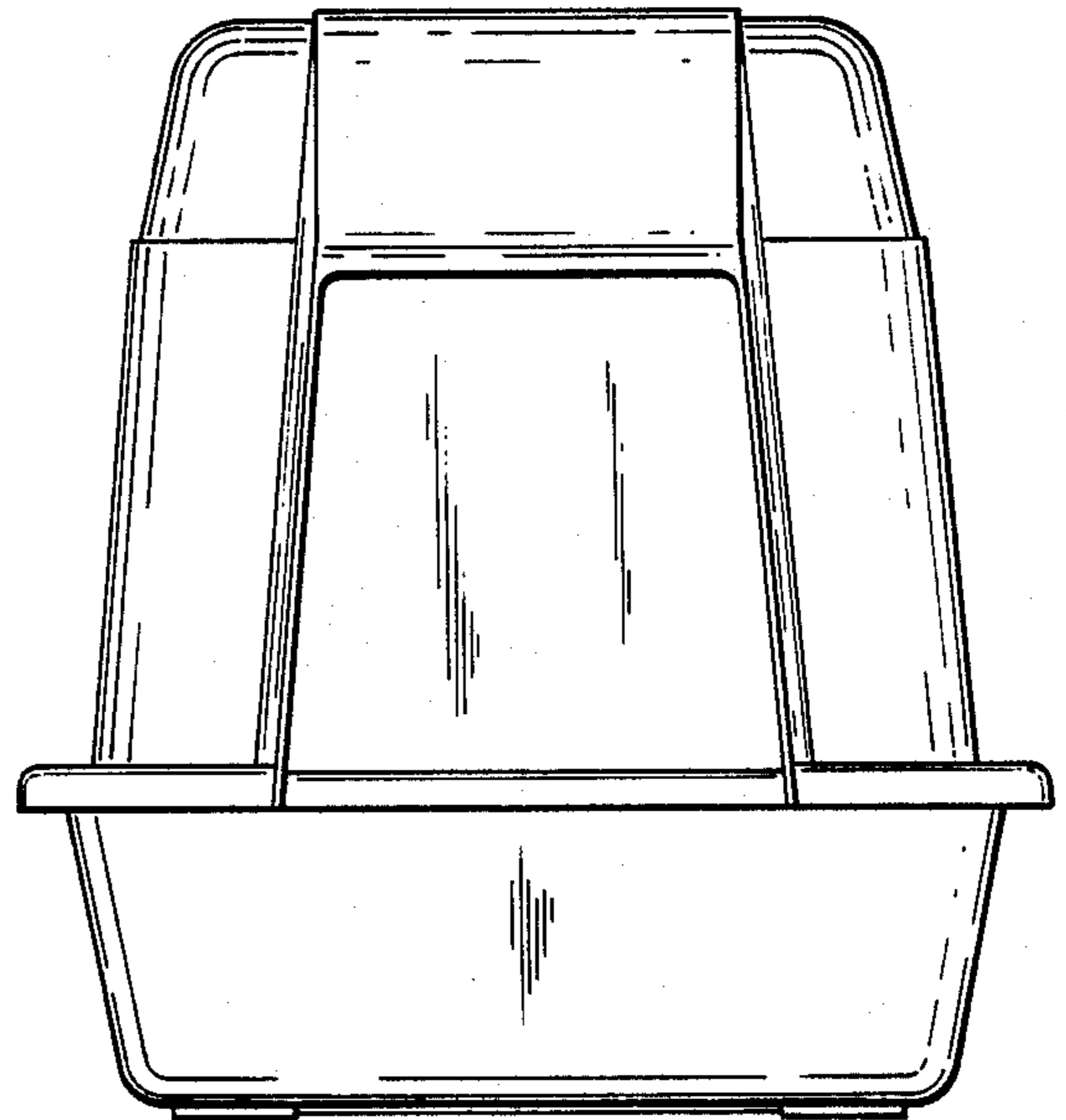


FIG. 5

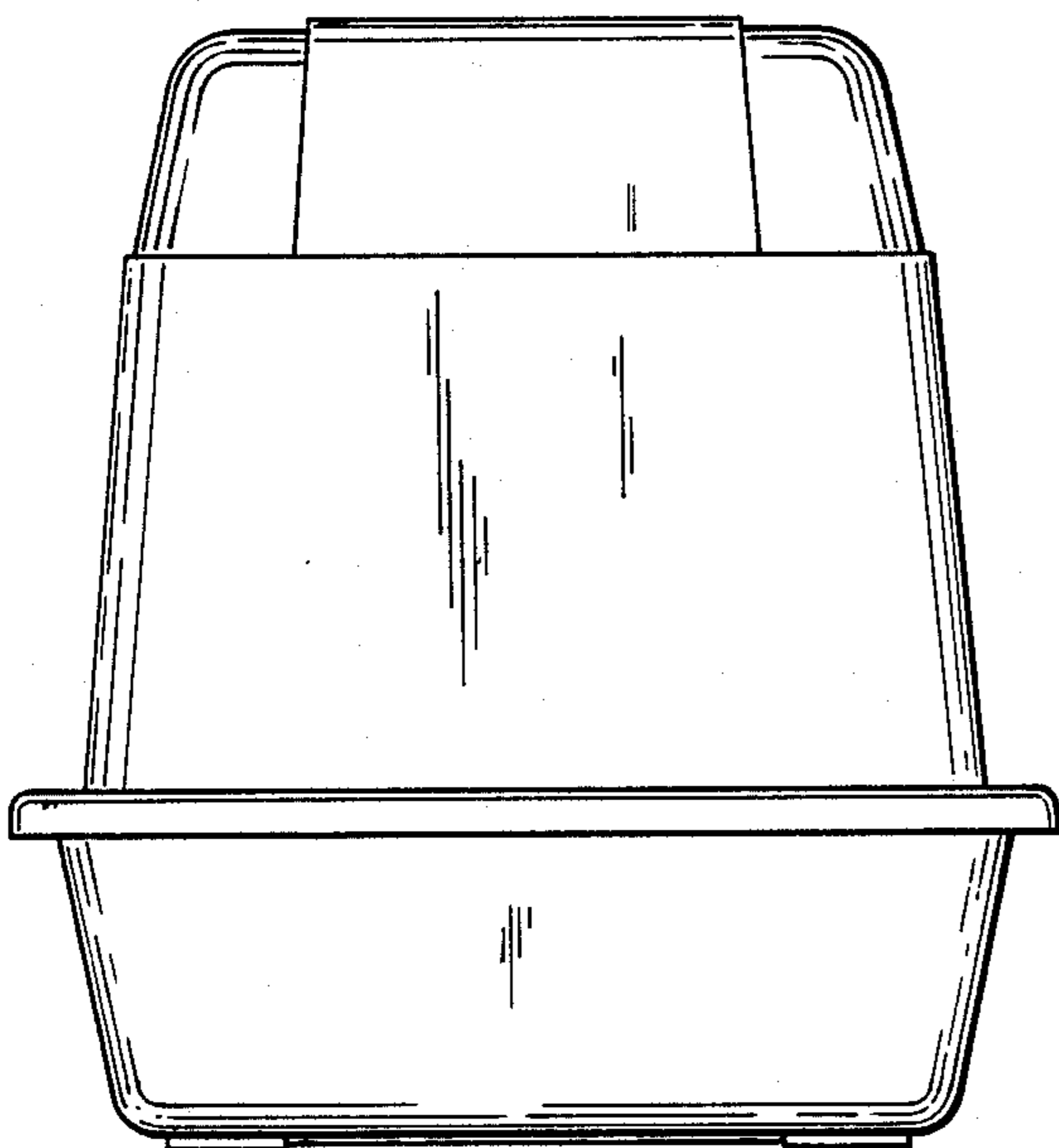


FIG. 6