

United States Patent [19]

Moore

[11] Patent Number: **Des. 300,957**

[45] Date of Patent: **** May 2, 1989**

[54] **CYLINDRICAL ROLLER APPLICATOR FOR DISPENSING CREAM OR LOTION**

3,284,839 11/1966 Cook 401/208
4,168,128 9/1979 Fillmore et al. 401/213

[75] Inventor: **Stuart K. J. Moore, Mississauga, Canada**

FOREIGN PATENT DOCUMENTS

1157425 11/1983 Canada .
446678 5/1936 United Kingdom D28/47
2171060A 8/1986 United Kingdom .

[73] Assignee: **American Home Products Corporation, New York, N.Y.**

OTHER PUBLICATIONS

[**] Term: **14 Years**

Glamour, May 1985, Inverness Roll-On Depilatory at left.

[21] Appl. No.: **942,910**

Primary Examiner—Louis S. Zarfes

[22] Filed: **Dec. 17, 1986**

[52] U.S. Cl. **D28/7**

[58] Field of Search **D4/122, 123; D9/337, D9/338; D24/36, 41, 63; D28/4-8, 10, 44, 47, 51, 63, 99; 132/1 R, 88.5, 88.7, DIG. 3; 401/208, 218-220**

[57] CLAIM

The ornamental design for a cylindrical roller applicator for dispensing cream or lotion, as shown.

[56] References Cited

U.S. PATENT DOCUMENTS

D. 283,953 5/1986 Jacobson D4/122
D. 290,527 6/1987 Thurogood D28/10
1,958,936 5/1934 Bajette et al. D24/41
2,892,202 6/1959 Williams 401/208

DESCRIPTION

FIG. 1 is a perspective view of a cylindrical roller applicator for dispensing cream or lotion showing my new design;

FIG. 2 is the opposite side view from that seen in FIG. 1; and

FIG. 3 is an end view.

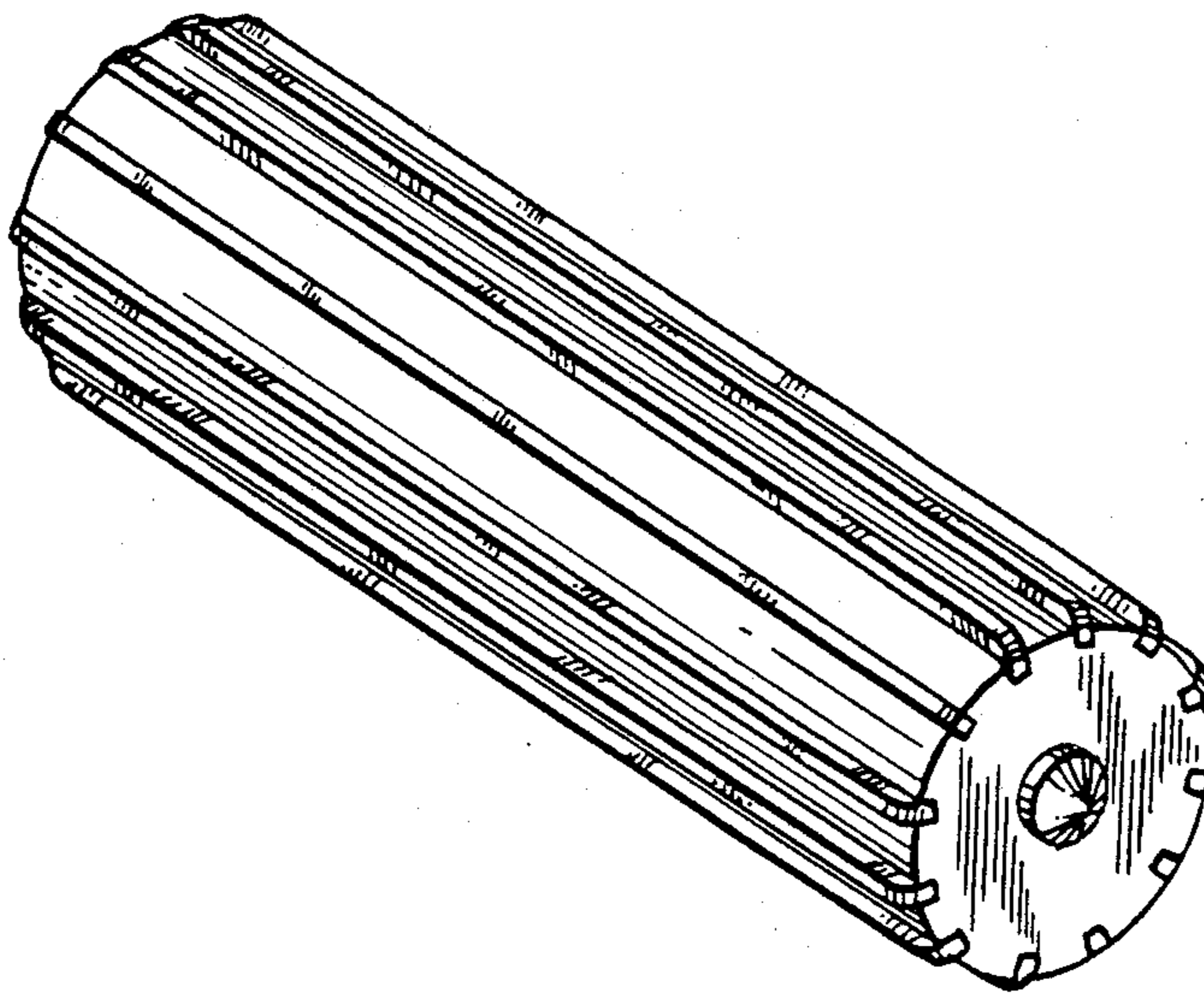


FIG. 1

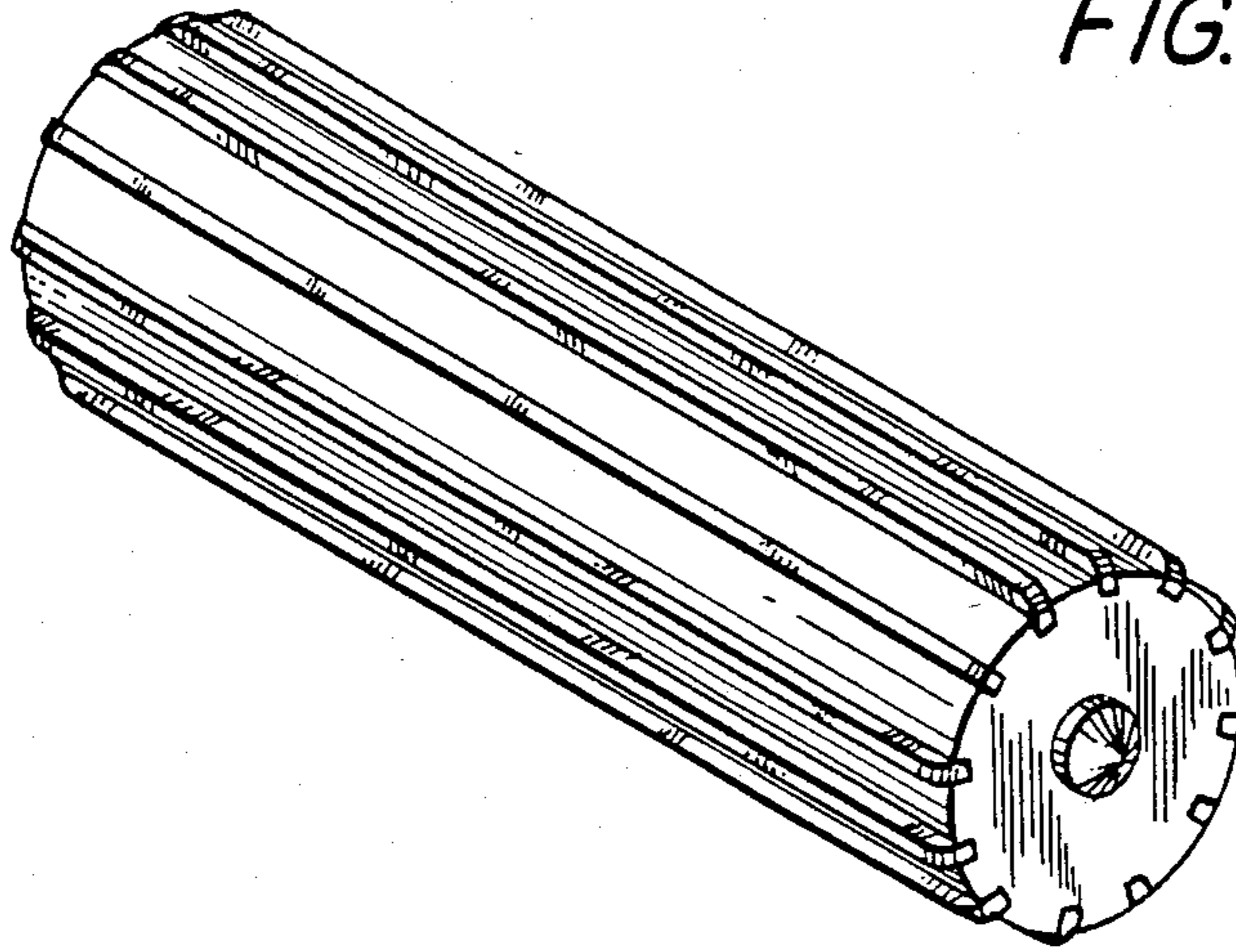


FIG. 2

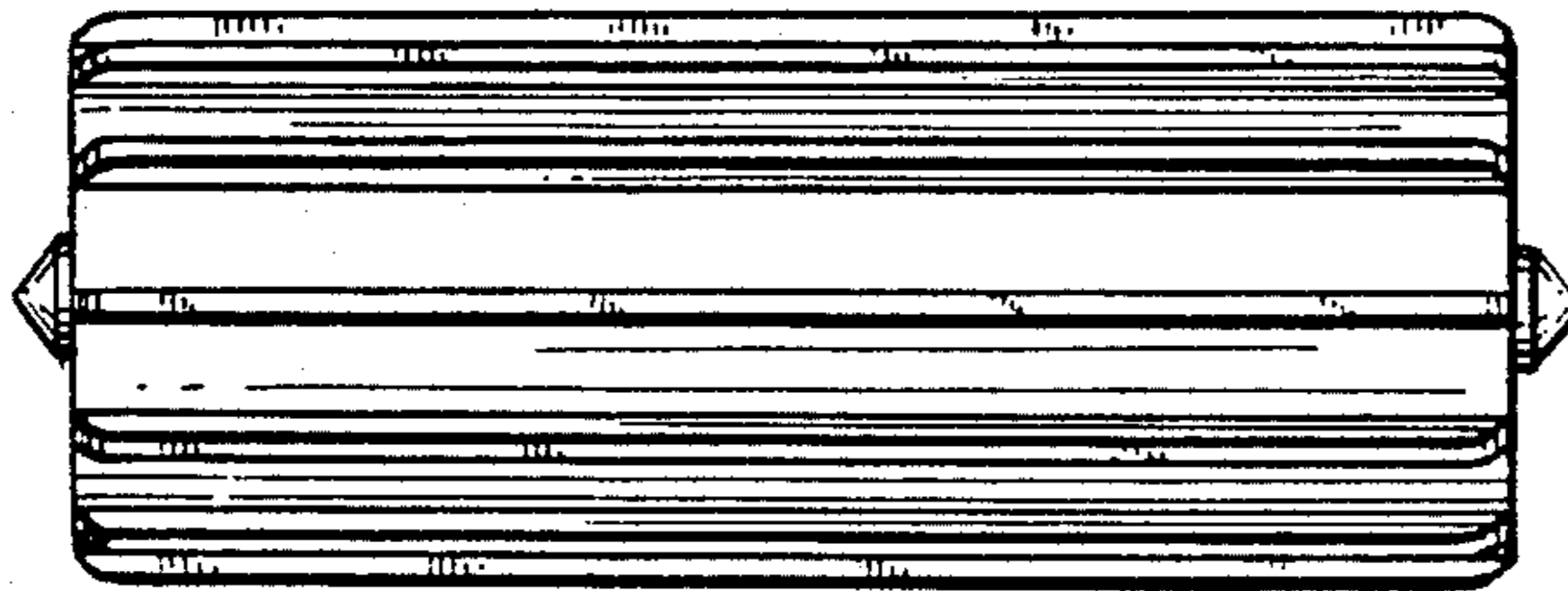


FIG. 3

