

United States Patent [19]

Hughes et al.

[11] Patent Number: **Des. 300,951**

[45] Date of Patent: **** May 2, 1989**

[54] **FLUORESCENT LIGHTING FIXTURE**

[75] Inventors: **James S. Hughes; Joel T. Gundlach; Paul A. Reeder, all of Columbus; Herbert A. Fouke, Newark, all of Ohio**

[73] Assignee: **Manville Corporation, Denver, Colo.**

[**] Term: **14 Years**

[21] Appl. No.: **7,888**

[22] Filed: **Jan. 28, 1987**

[52] U.S. Cl. **D26/78**

[58] Field of Search **D26/72-92; 362/217, 222, 223, 404-408, 362, 363, 147**

[56] **References Cited**

U.S. PATENT DOCUMENTS

D. 127,374 5/1941 Jordan D26/76

D. 148,191 12/1947 Shuler et al. D26/76

D. 150,735 8/1948 Schwartz et al. D26/78

2,715,449 8/1955 Lemmerman et al. 362/217 X

2,963,251 12/1960 Fuss 362/404 X

Primary Examiner—Susan J. Lucas

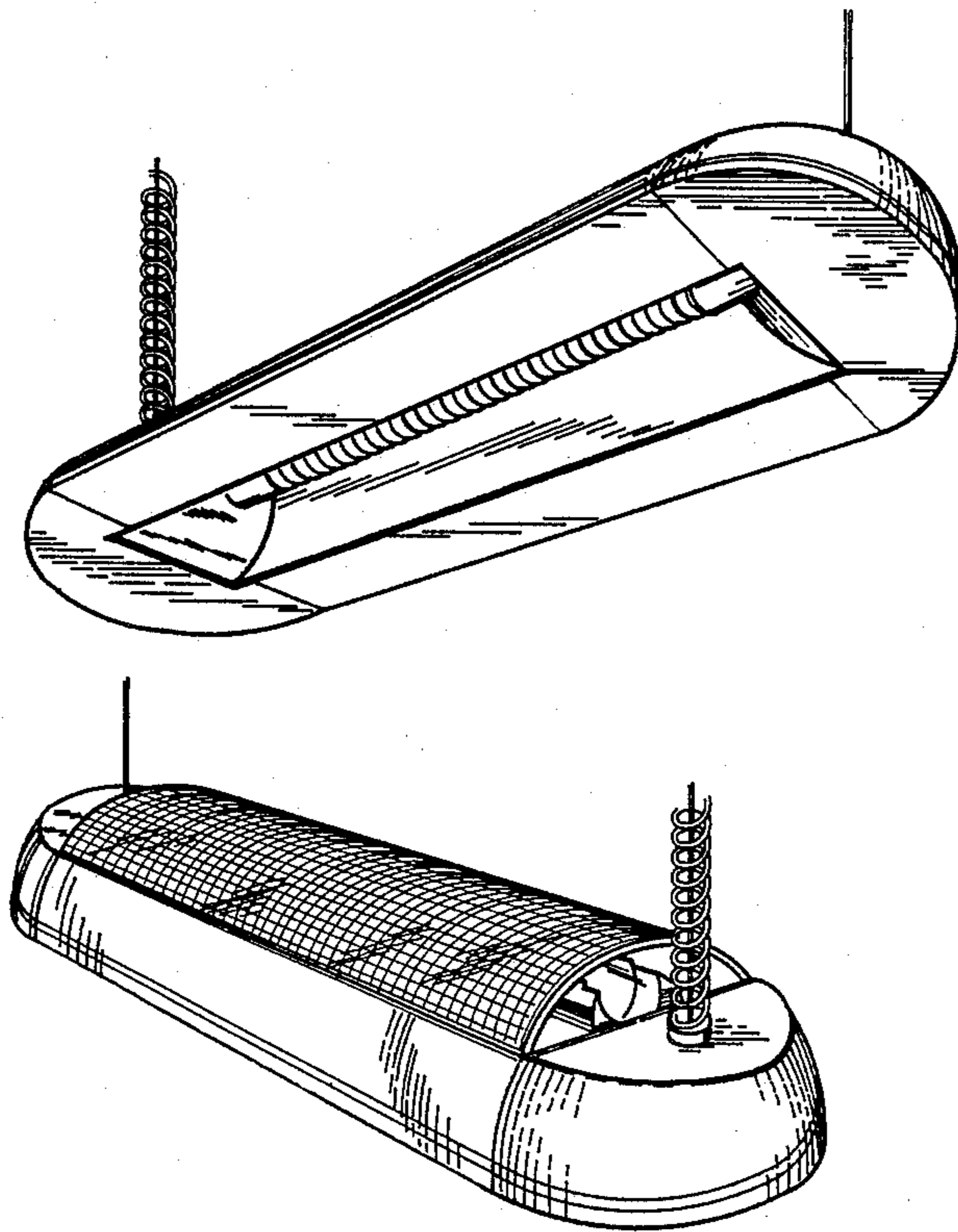
Attorney, Agent, or Firm—John D. Lister; Cornelius P. Quinn

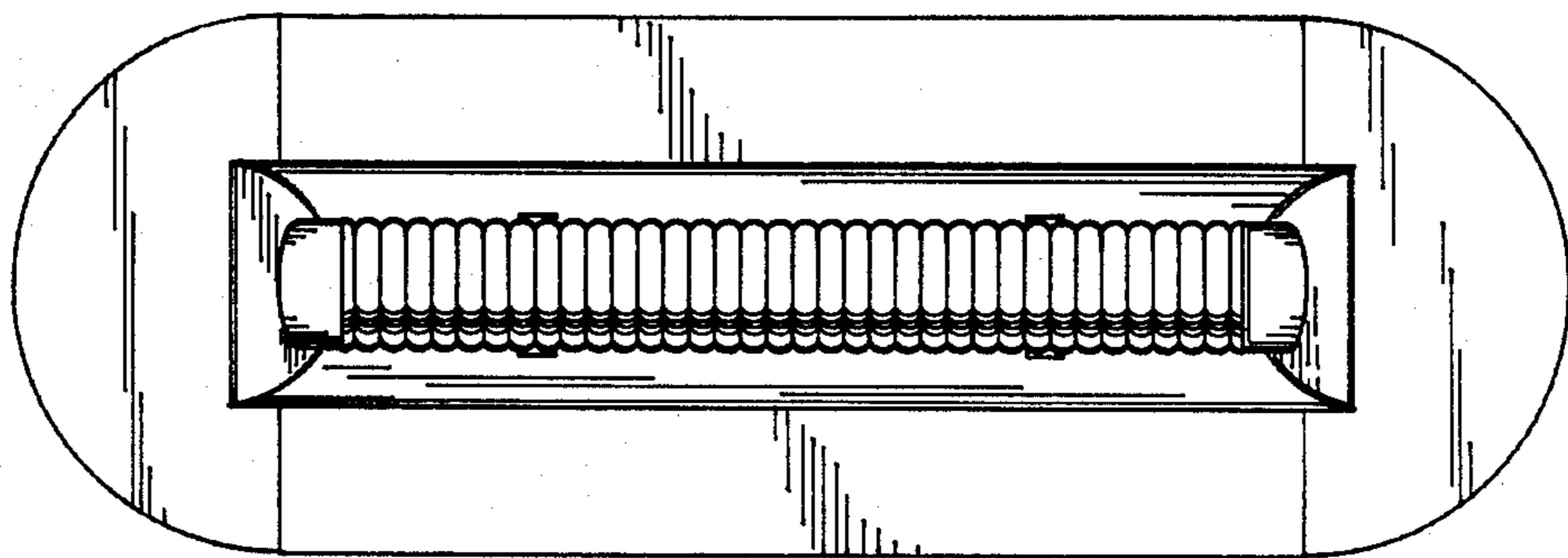
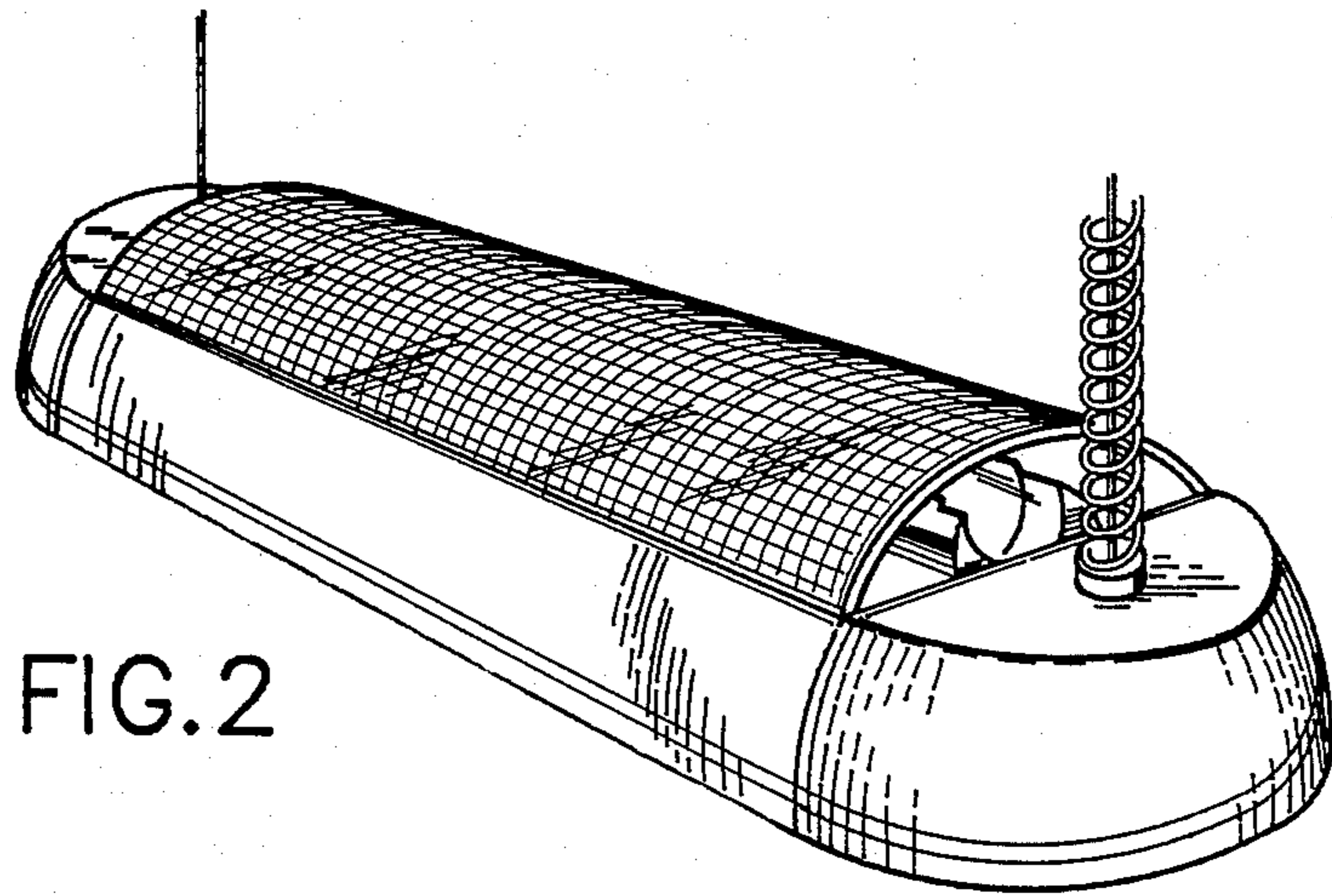
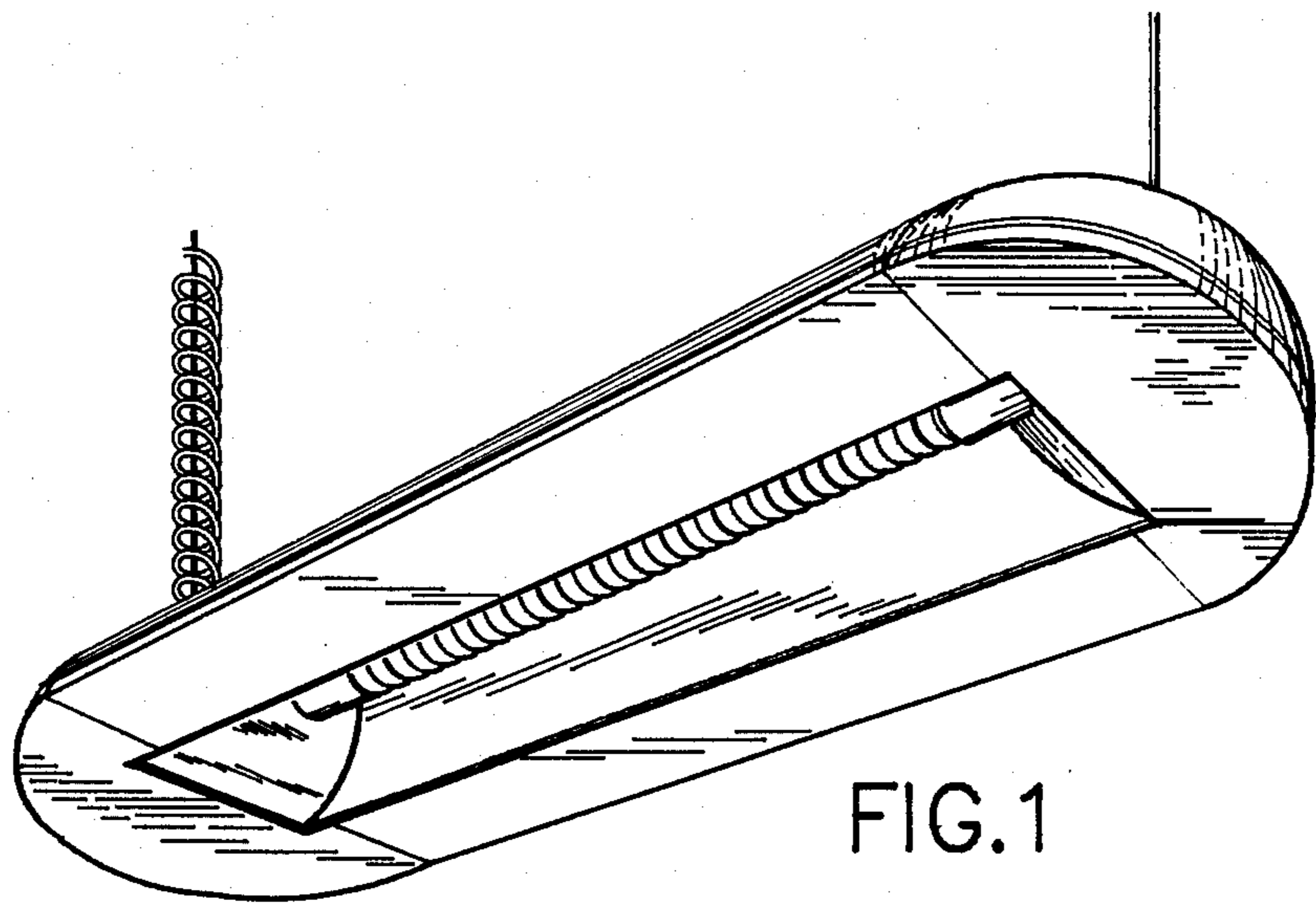
[57] CLAIM

The ornamental design for a fluorescent lighting fixture, as shown and described.

DESCRIPTION

FIG. 1 is a bottom perspective view of a fluorescent lighting fixture showing our new design; FIG. 2 is a top perspective view thereof; and FIG. 3 is a bottom plan view thereof. FIG. 4 is a top plan view thereof; FIG. 5 is an end elevational view thereof as seen from the right hand end of FIG. 1.





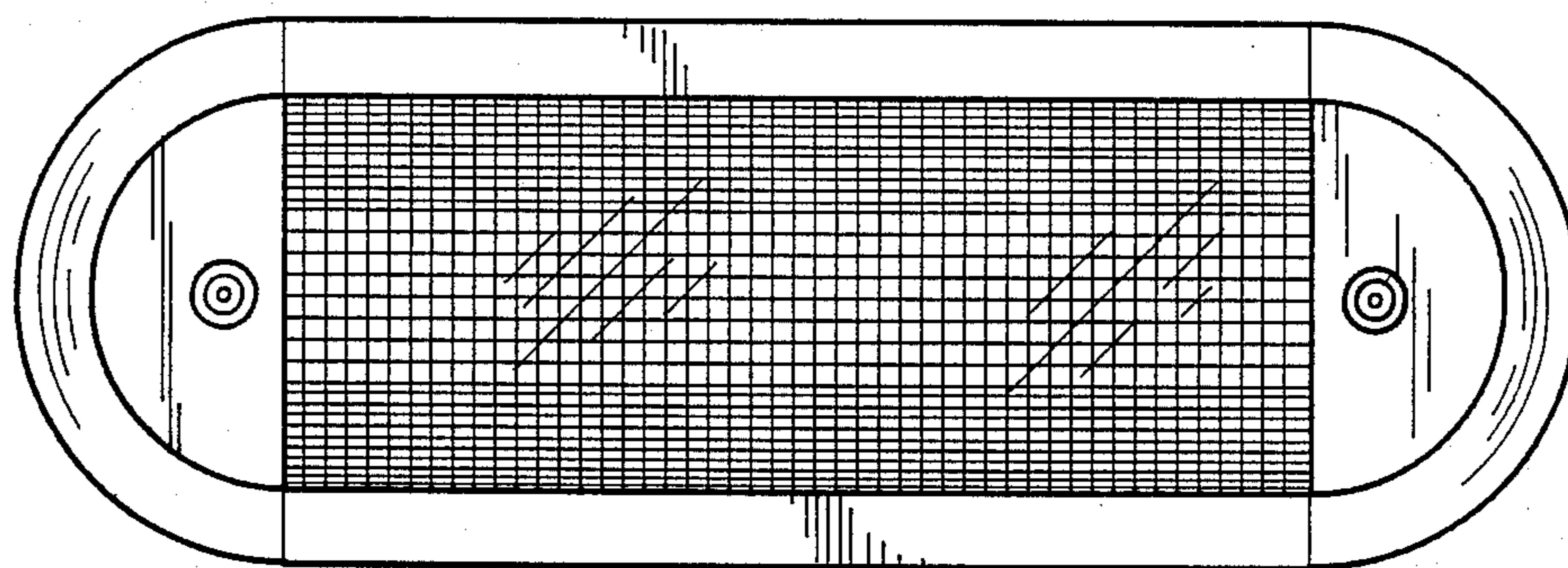


FIG. 4

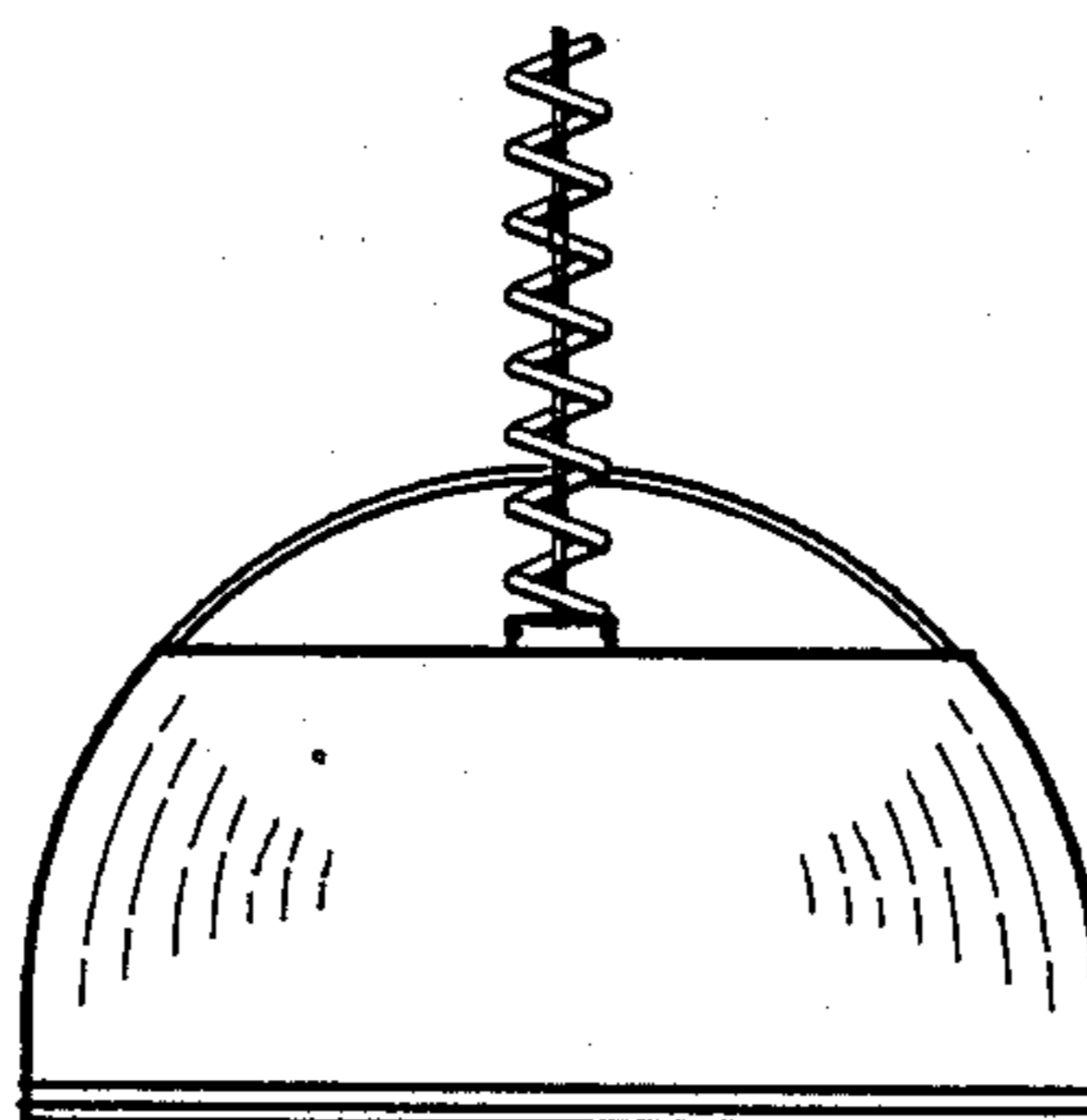


FIG. 5