

[54] **OPERATING ROOM LIGHT**

[75] **Inventor: Nicole Richard, Paris, France**

[73] **Assignee: Compagnie Industrielle des Lasers
Cilas Alcatel, Marcoussis, France**

[**] **Term: 14 Years**

[21] **Appl. No.: 938,783**

[22] **Filed: Dec. 4, 1986**

[30] **Foreign Application Priority Data**

Jun. 6, 1986 [FR] France 863045
[52] **U.S. Cl.** **D26/65**
[58] **Field of Search** **D26/60-66;**
362/269, 275, 287, 375, 362, 804, 33, 147, 418,
427

[56]

References Cited

U.S. PATENT DOCUMENTS

D. 264,632 4/1980 Brendgord D26/65
D. 279,611 7/1985 Peeler et al. D26/65
4,135,231 1/1979 Fisher 362/269
4,316,237 2/1982 Yamada et al. 362/33
4,422,134 12/1983 Brass 362/375 X

Primary Examiner—Susan J. Lucas
Attorney, Agent, or Firm—Kenyon & Kenyon

[57]

CLAIM

The ornamental design for an operating room light, as shown and described.

DESCRIPTION

FIG. 1 is a bottom, left side perspective view of an operating room light showing my new design;
FIG. 2 is a top plan view thereof;
FIG. 3 is a bottom plan view thereof;
FIG. 4 is a side elevational view thereof, the opposite side being identical;
FIG. 5 is a front elevational view thereof, the rear being identical.

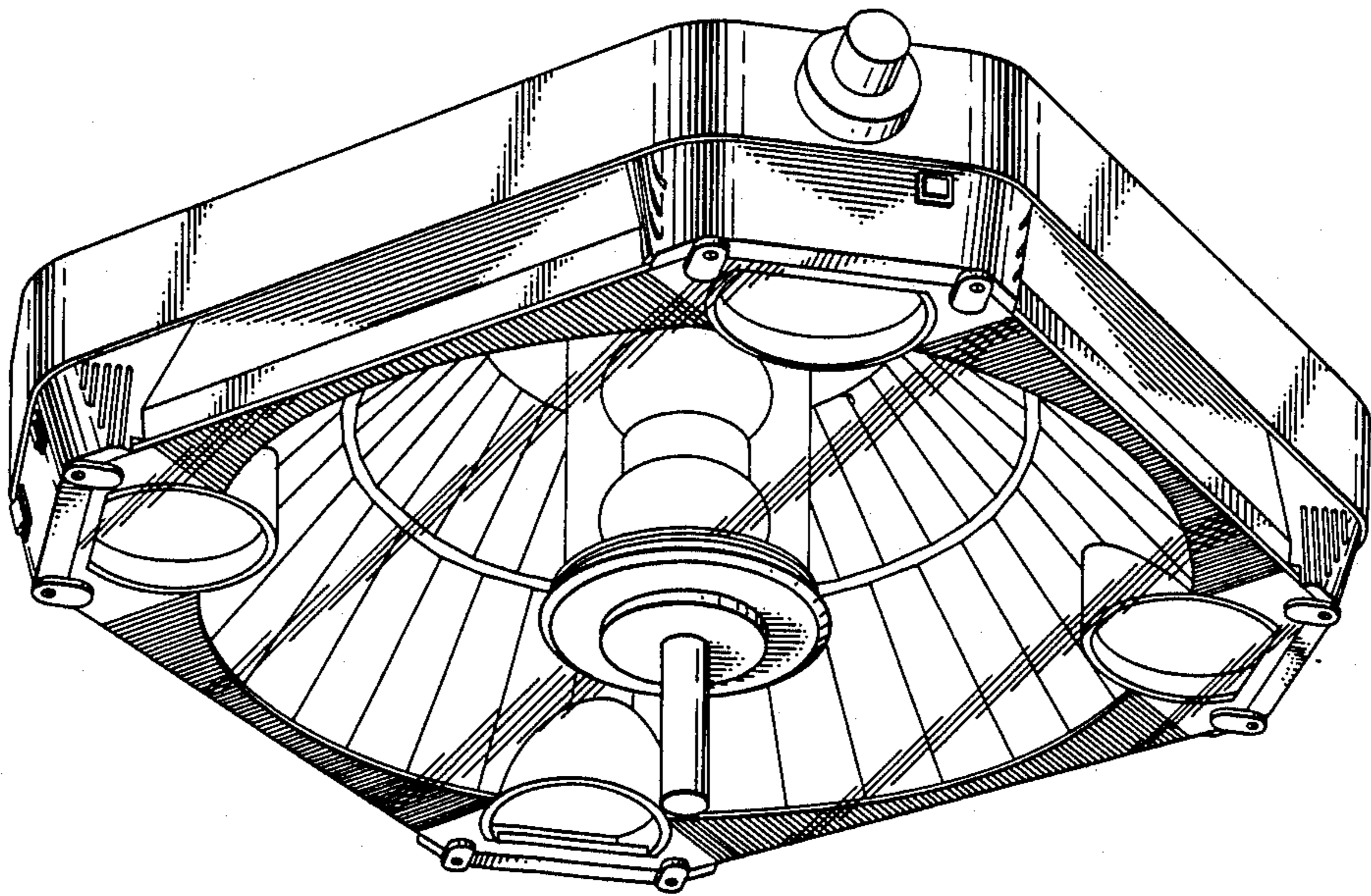


FIG. 1

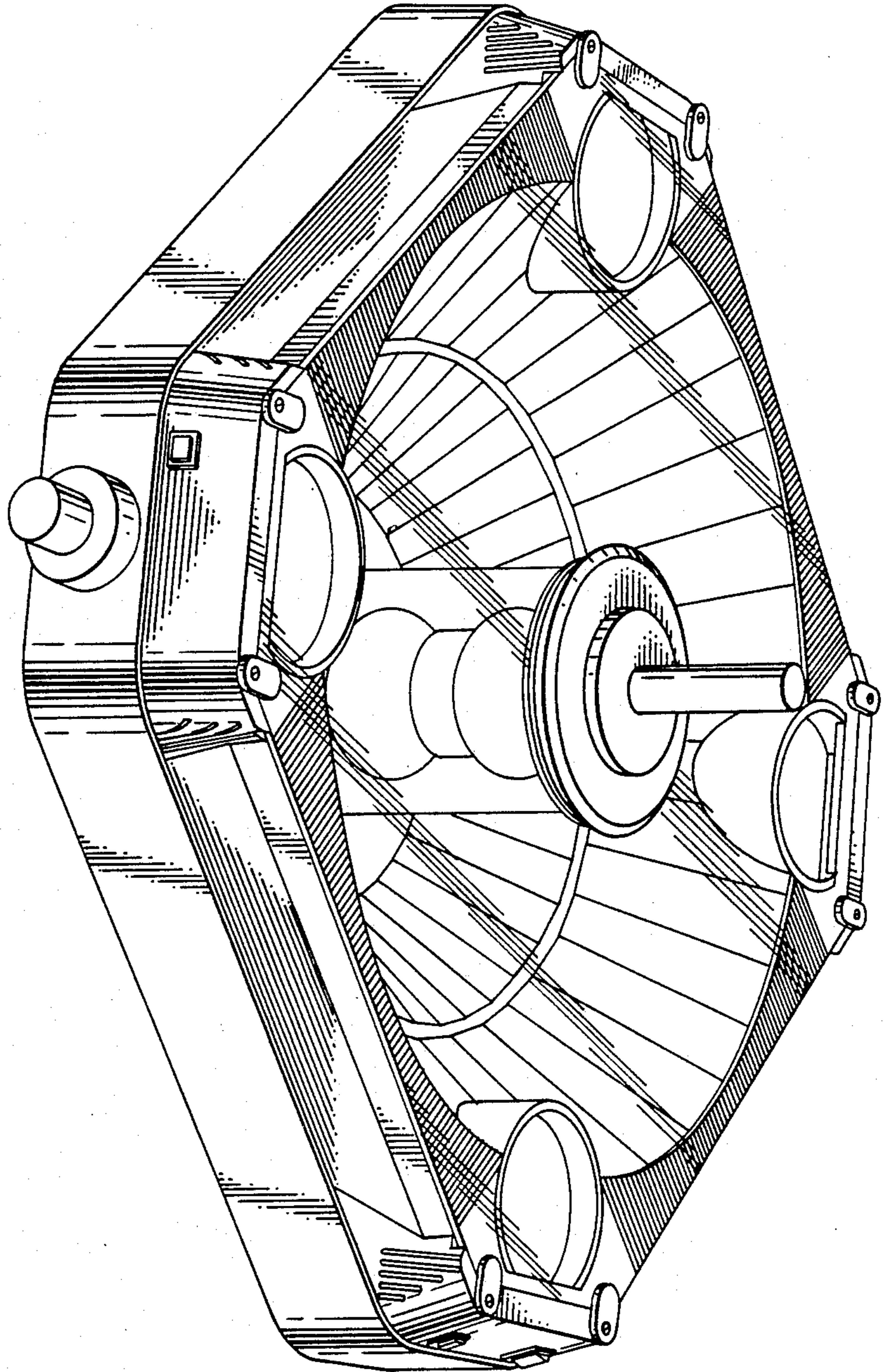


FIG. 2

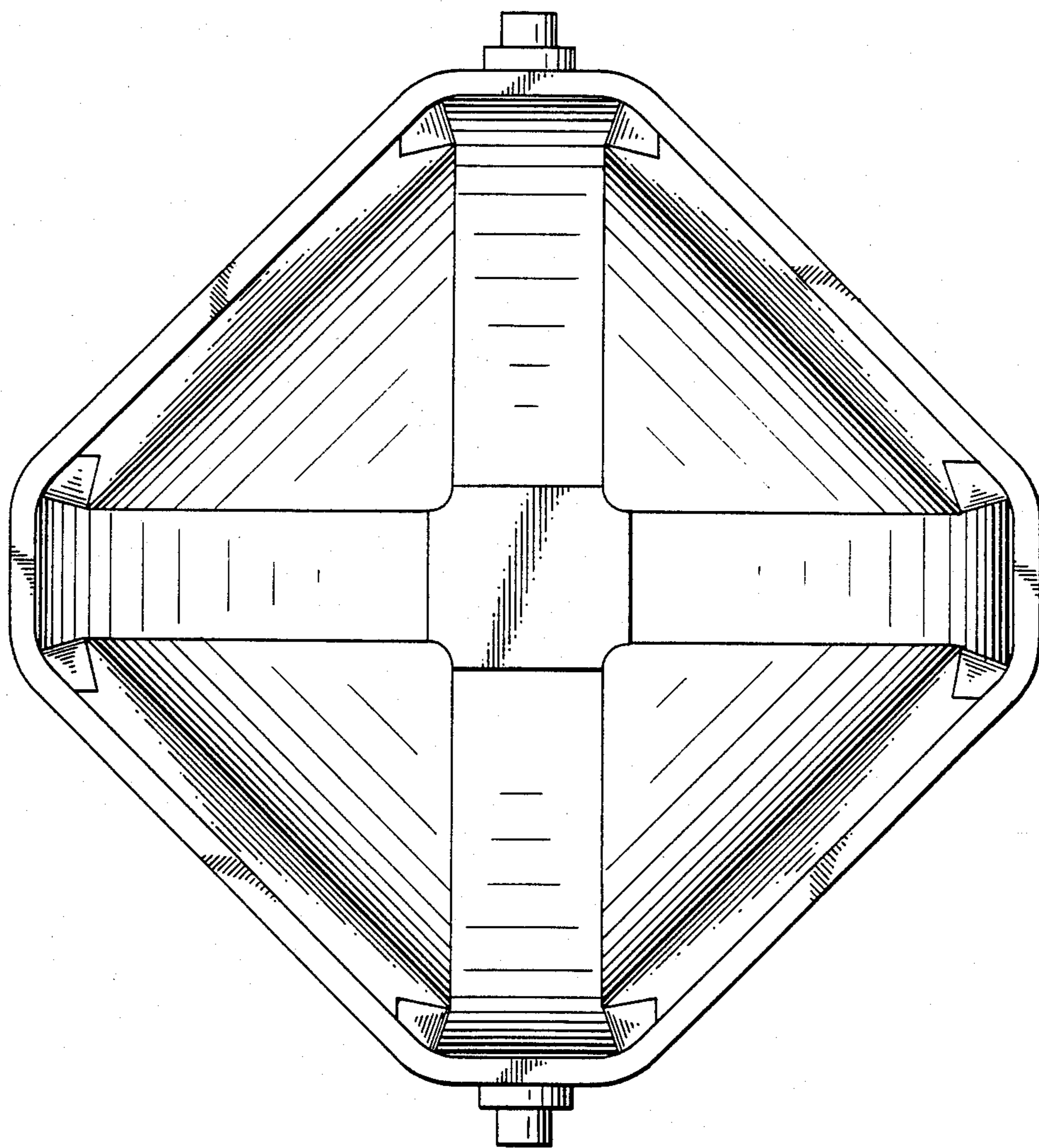


FIG. 3

