

[54] INTERDENTAL BRUSH HANDLE

[75] Inventors: Emanuel B. Tarrson; Dane Maric, both of Chicago, Ill.

[73] Assignee: John O. Butler Company, Chicago, Ill.

[**] Term: 14 Years

[21] Appl. No.: 929,142

[22] Filed: Nov. 7, 1986

[52] U.S. Cl. D24/11; D4/104

[58] Field of Search D4/100-114, D4/127, 128, 129, 134, 135, 136; D24/10, 11; 15/106, 107, 111, 143 R, 167.1, 166, 167.3

[56] References Cited

U.S. PATENT DOCUMENTS

D. 262,236	12/1981	Tarrson et al.	D24/11
4,150,457	4/1979	Larson	15/167.1 X
4,222,143	9/1980	Tarrson et al.	15/167.1 X
4,319,377	3/1982	Tarrson et al.	15/167.1 X
4,710,996	12/1987	Tarrson et al.	15/167.1 X

Primary Examiner—Susan J. Lucas
Attorney, Agent, or Firm—Laff, Whitesel, Conte & Saret

[57] CLAIM

The ornamental design for an interdental brush handle, as shown and described.

DESCRIPTION

FIG. 1 is a perspective view of an interdental brush handle showing our new design, the locking sleeves on the ends of the handle being in the extended position; FIG. 2 is a side elevational view thereof, the locking sleeves being in the retracted position; FIG. 3 is a top plan view thereof, the sleeves extended as in FIG. 1;

FIG. 4 is a bottom plan view thereof, the sleeves retracted as in FIG. 2;

FIG. 5 is an enlarged, fragmentary and elevational view thereof;

FIG. 6 is an enlarged, fragmentary end elevational view thereof with a brush shown in broken lines for illustrative purposes only;

FIG. 7 is an enlarged, fragmentary view thereof with a pick shown in broken lines for illustrative purposes only;

FIGS. 8, 9 and 10 are respectively enlarged, top and bottom plan views, and a side elevational view of one end of the handle, the sleeve being in the retracted position;

FIG. 11 is an enlarged, fragmentary side elevational view of one end of the handle, the sleeve being in the extended position;

FIG. 12 is an enlarged, fragmentary perspective view of one end of the handle, the sleeve in the retracted position;

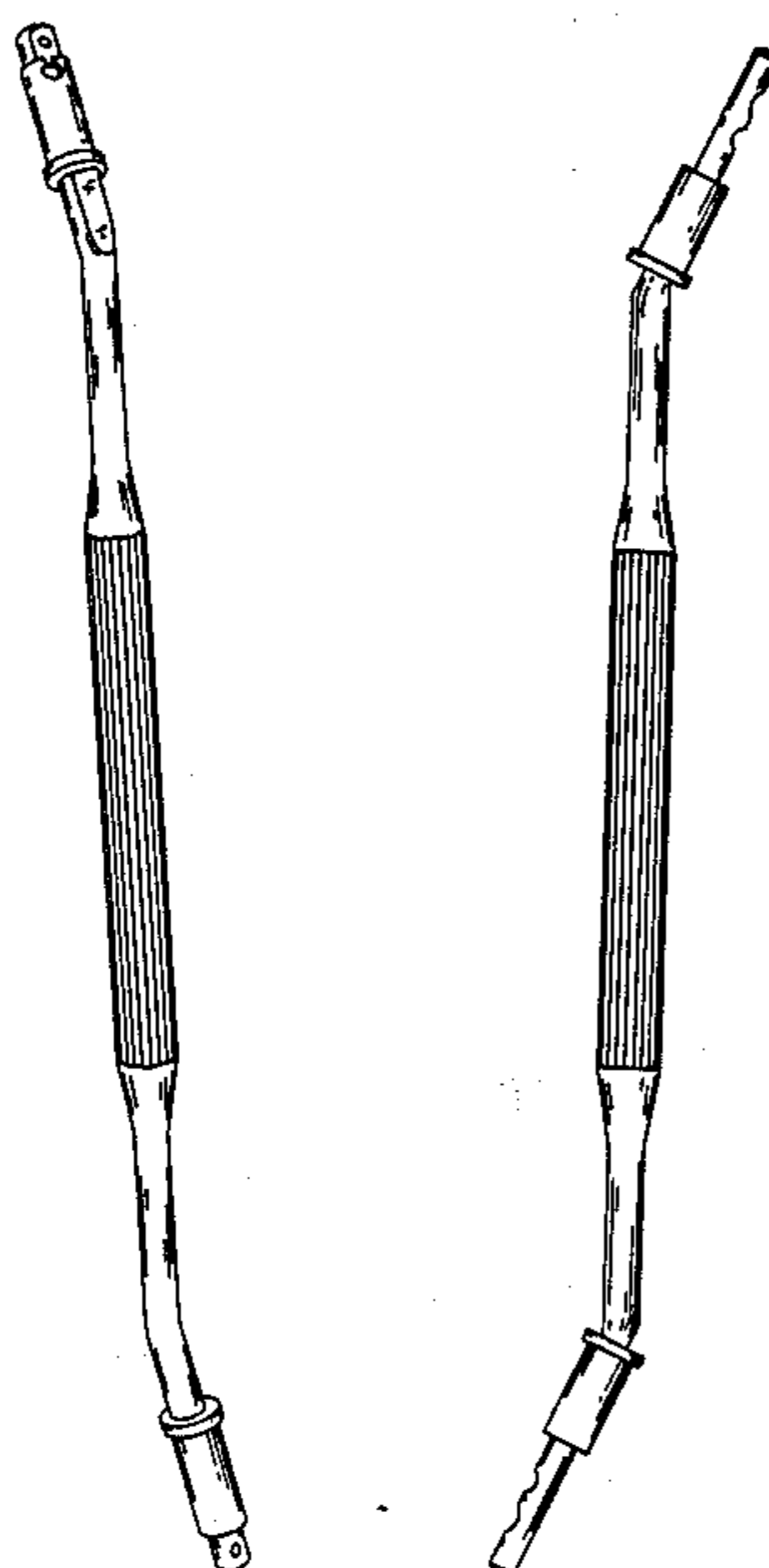
FIG. 13 is an enlarged fragmentary perspective top view of one end of the handle, the sleeve in the extended position and the brush being shown in broken lines for illustrative purposes;

FIG. 14 is an enlarged fragmentary perspective bottom view of one end of the handle, with the sleeve in the extended position and with the brush being shown in broken lines for illustrative purposes only;

FIG. 15 is an enlarged, fragmentary perspective view of one end of the handle, with the sleeve in the retracted position and with the pick being shown in broken lines for illustrative purposes; and

FIG. 16 is an enlarged, fragmentary perspective view of one end of the handle with the sleeve extended and with a pick shown in dotted lines, for illustrative purposes only.

The handle is fragmentarily shown in FIGS. 5 through 13 for convenience of illustration. The two ends of the handle are mirror images of each other.



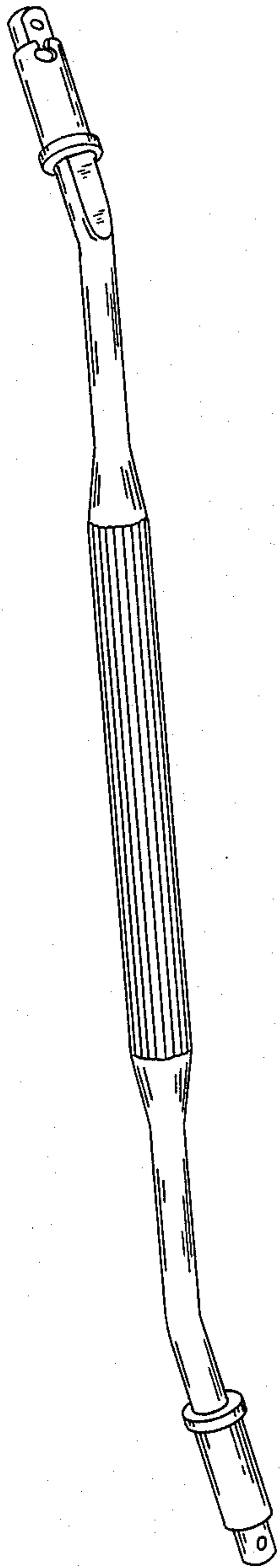


FIG. 1

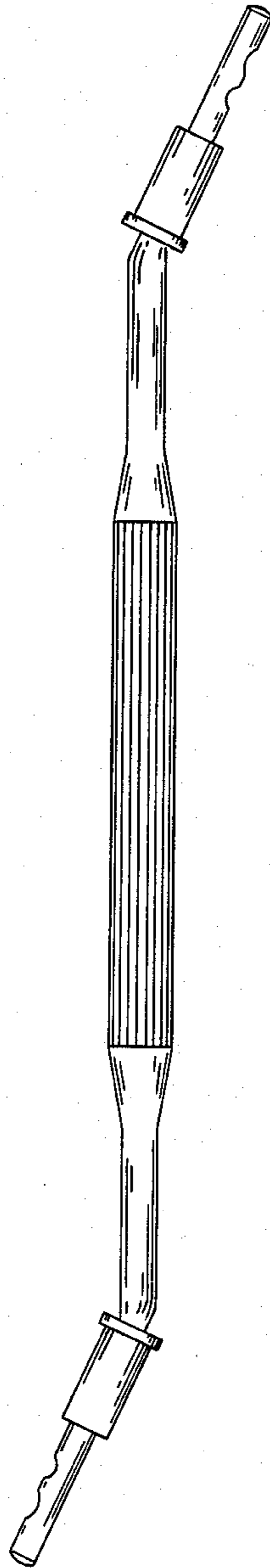


FIG. 2



FIG. 3



FIG. 4

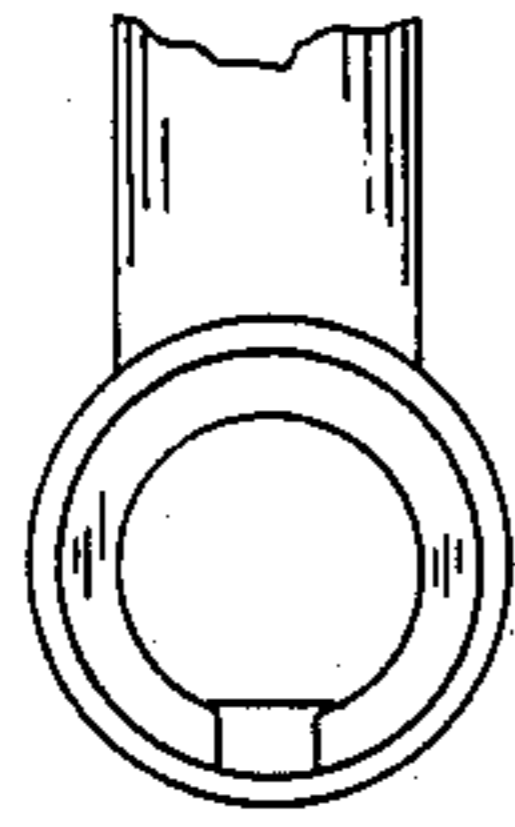


FIG. 5

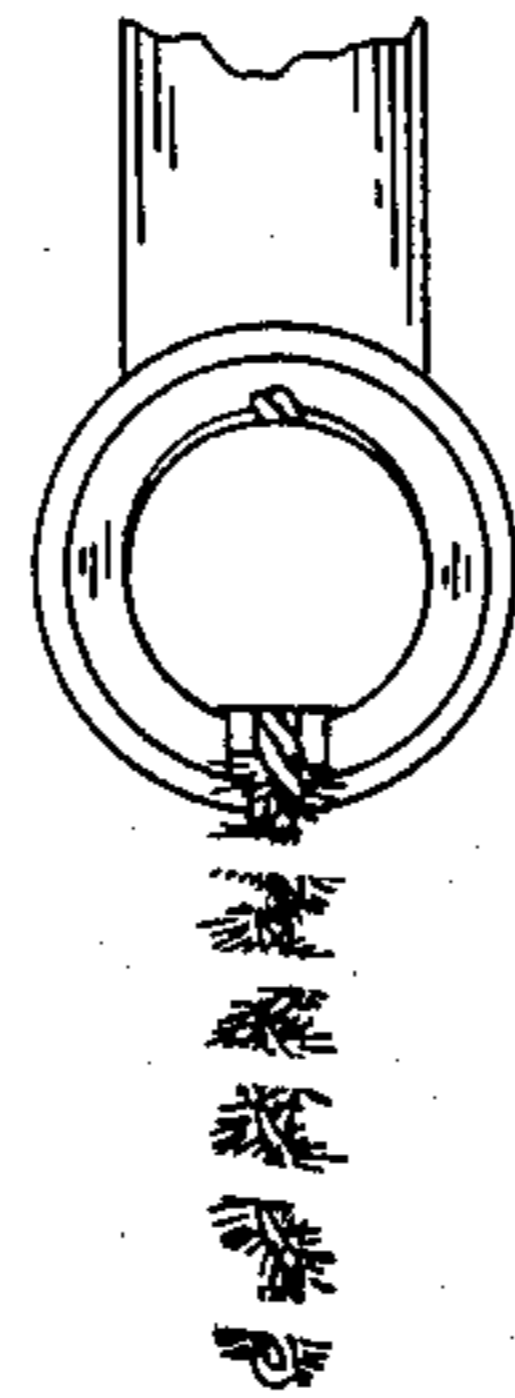


FIG. 6

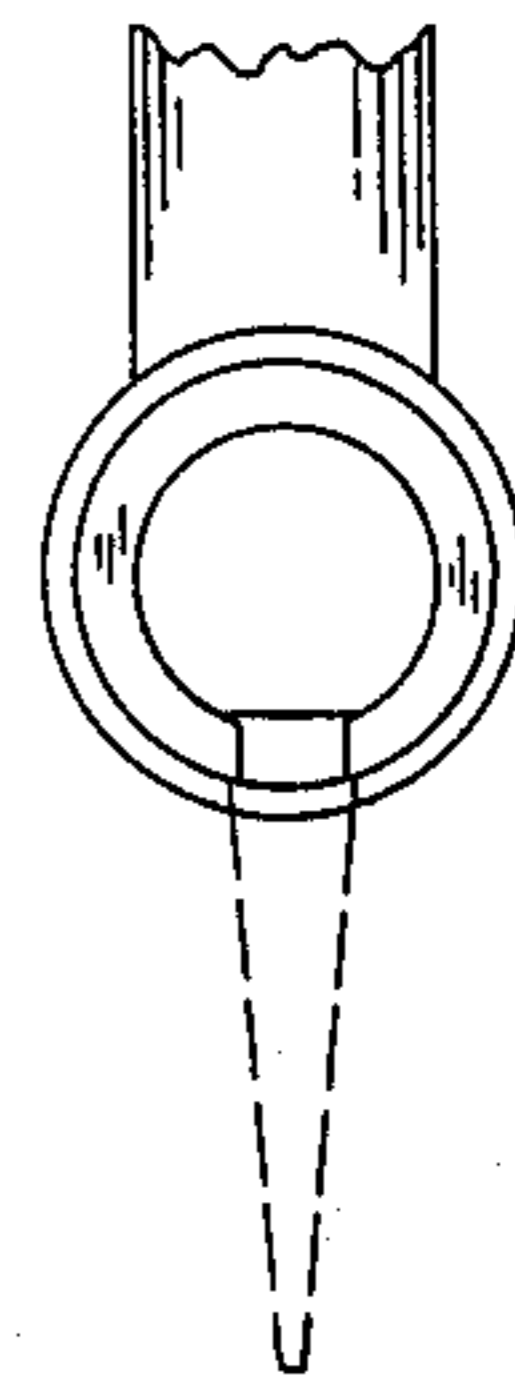


FIG. 7

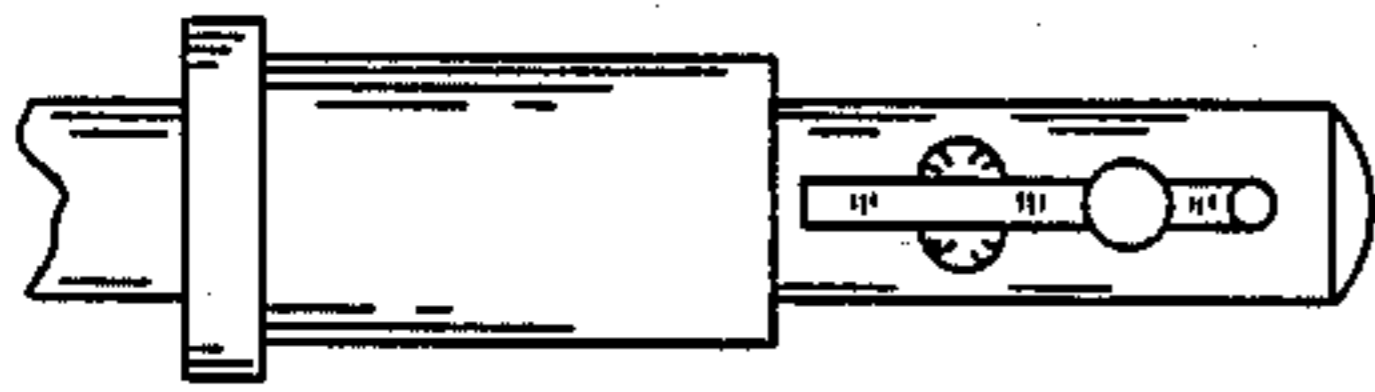


FIG. 8

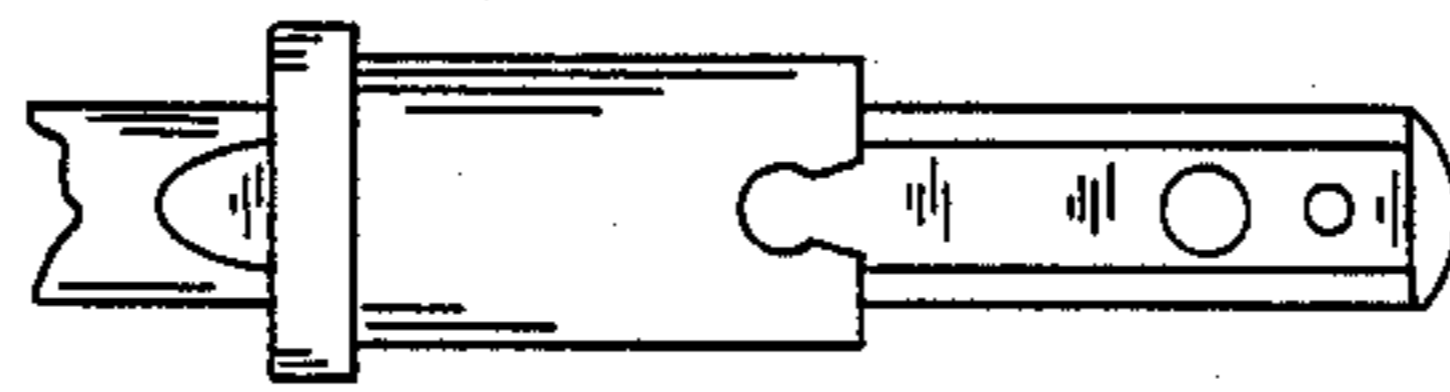


FIG. 9

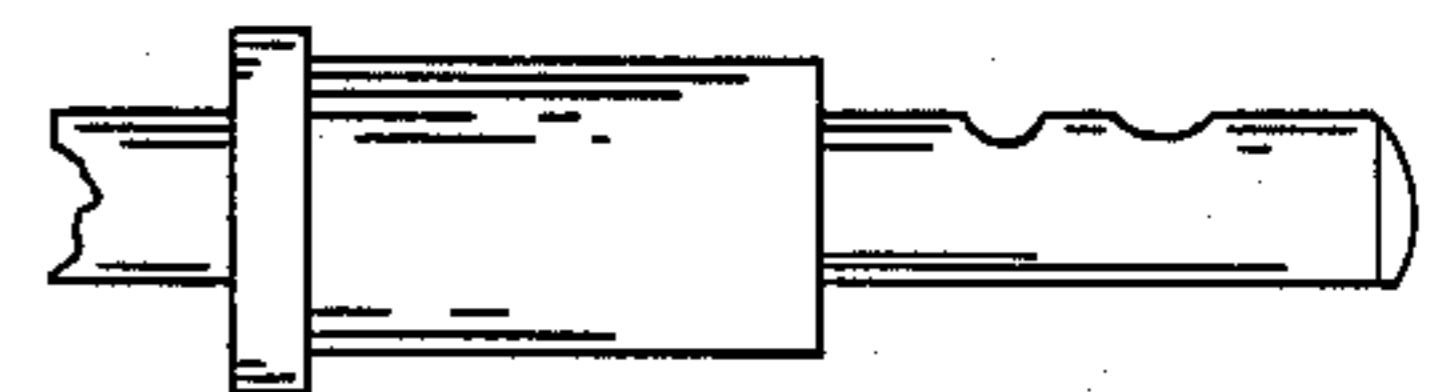


FIG. 10



FIG. 11

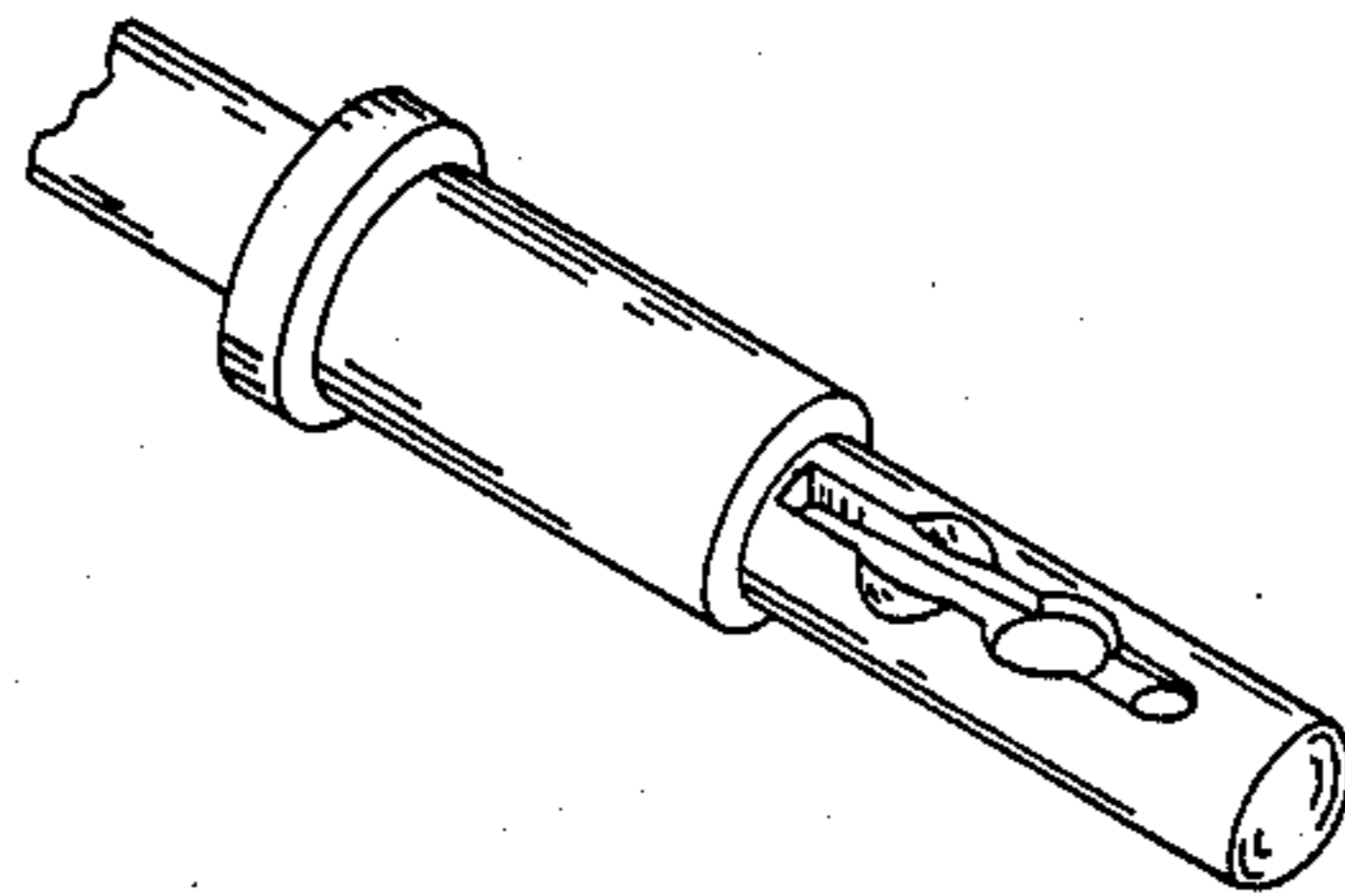


FIG. 12

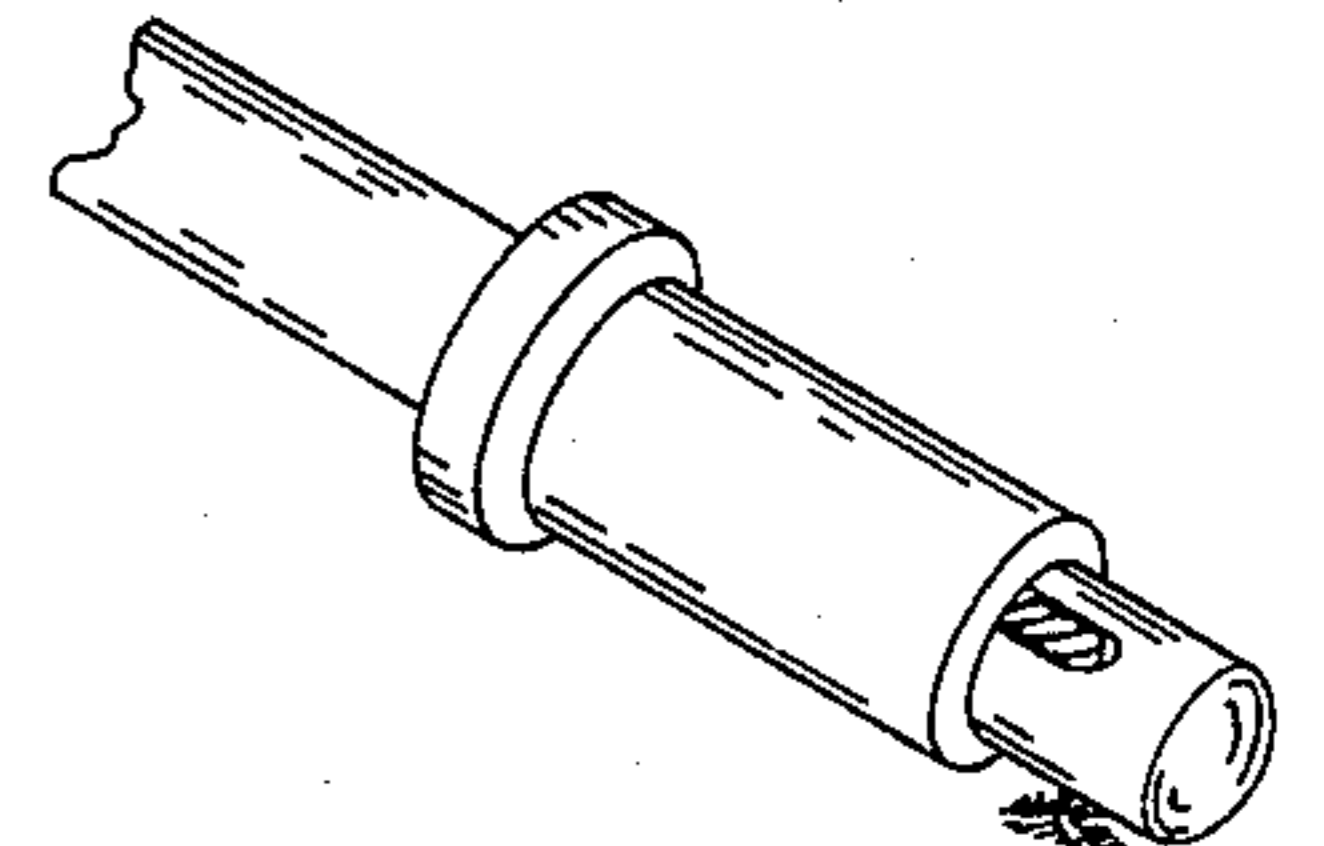


FIG. 13

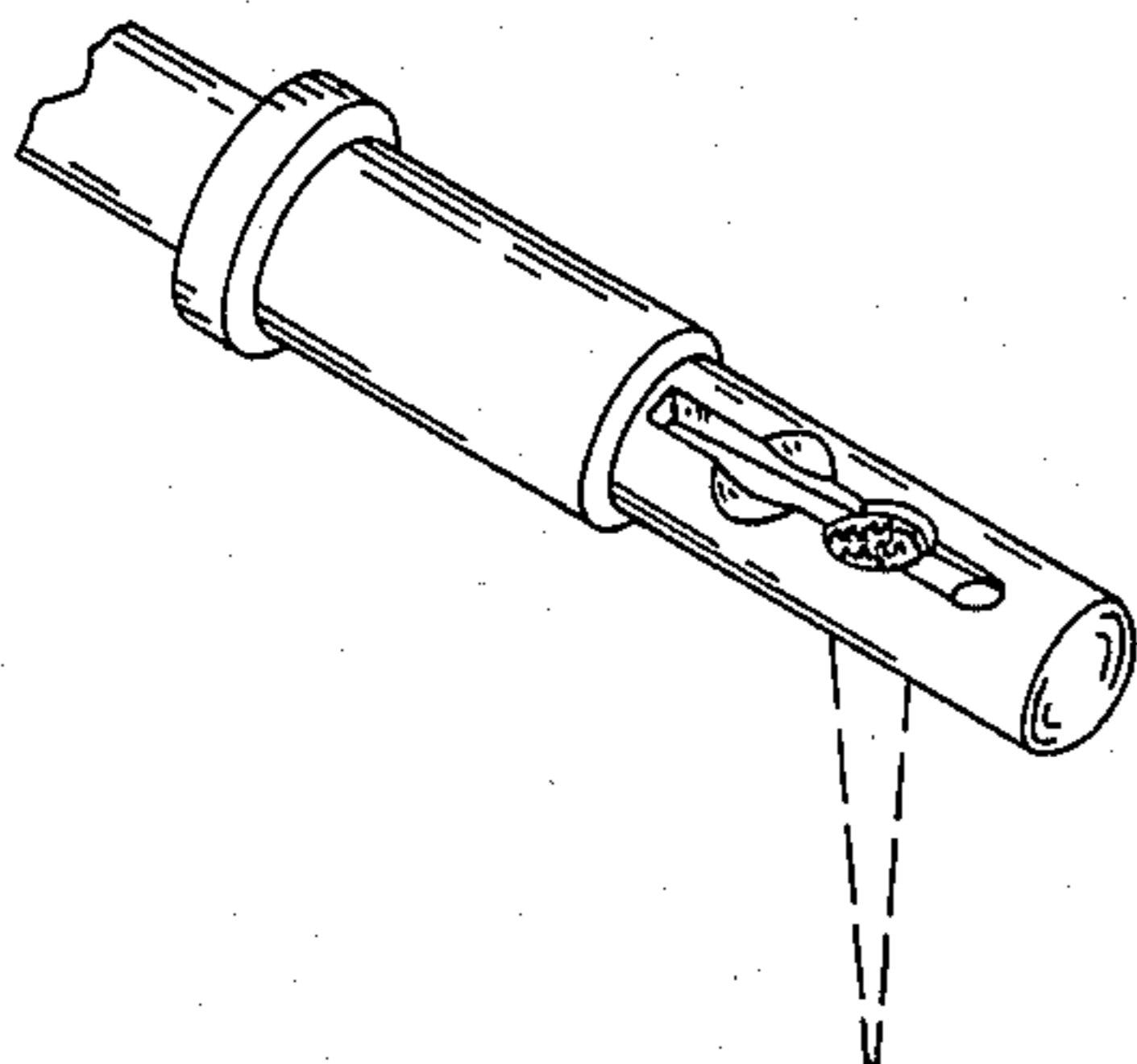


FIG. 15

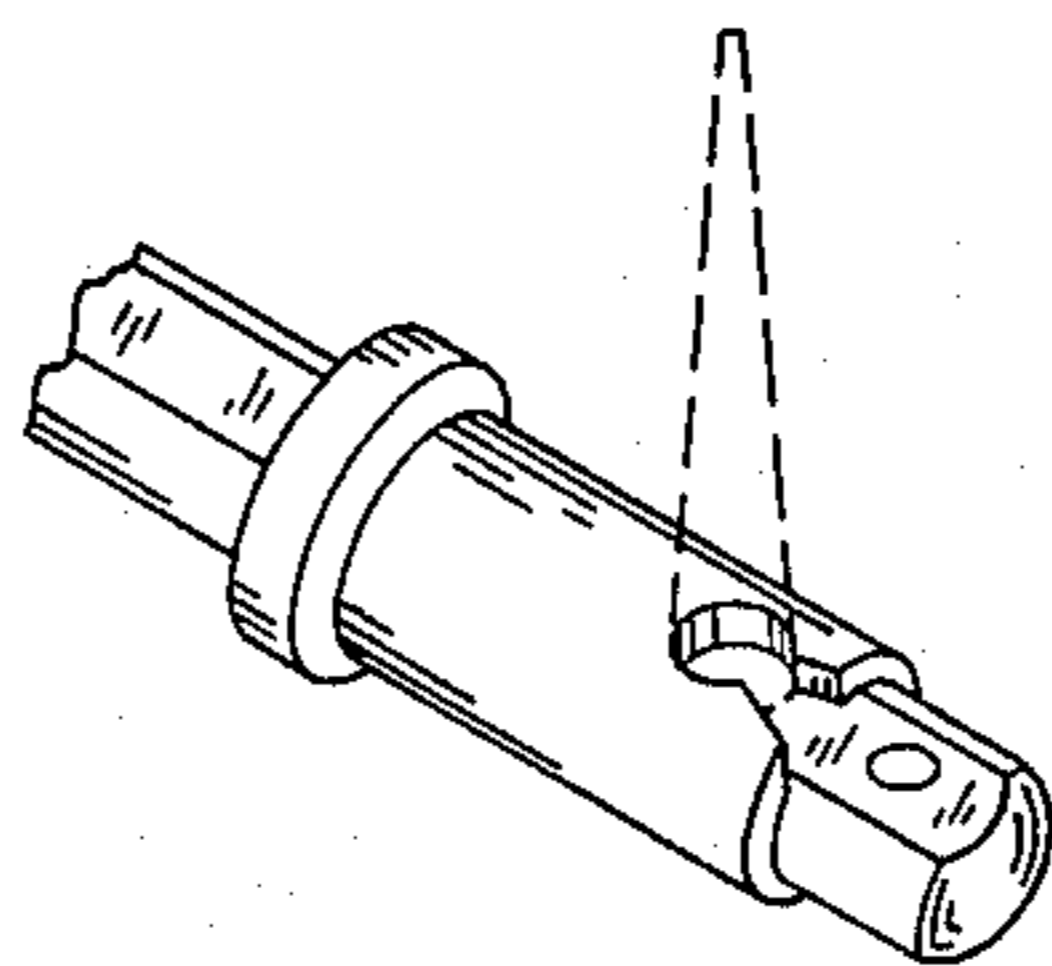


FIG. 16

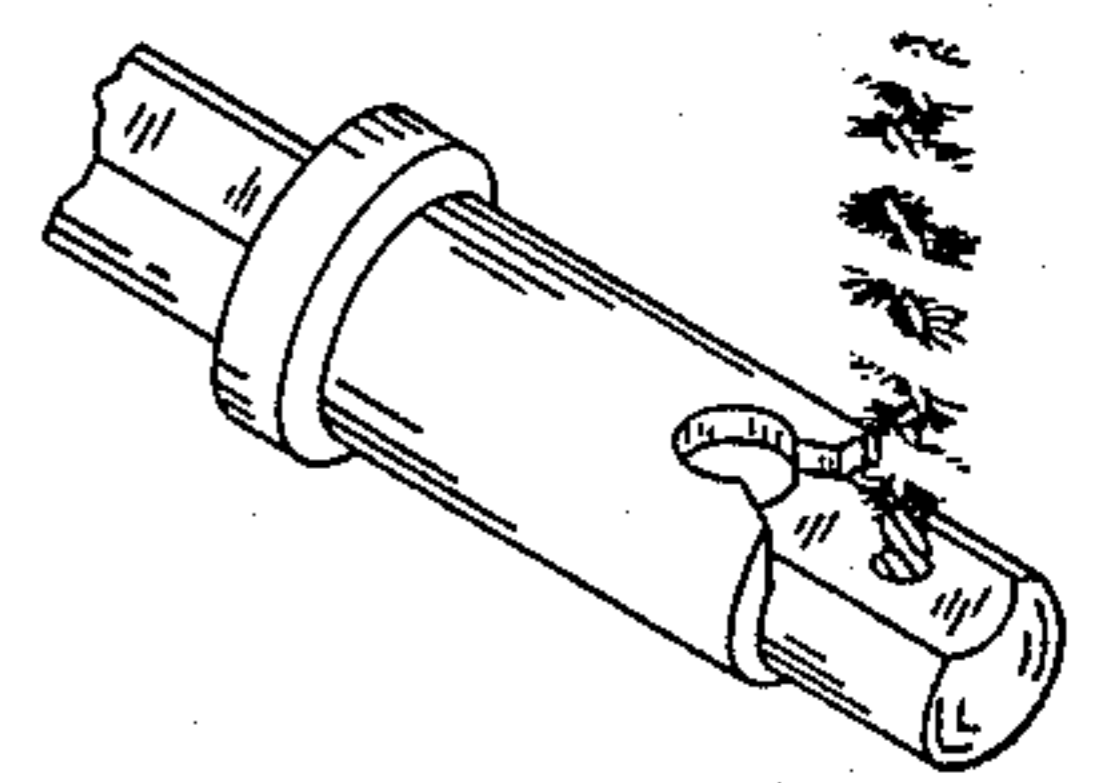


FIG. 14