

[54] FAUCET SET

[75] Inventor: Stanley M. Paul, Rye, N.Y.

[73] Assignee: Paul Associates, Inc., Long Island City, N.Y.

[**] Term: 14 Years

[21] Appl. No.: 46,418

[22] Filed: May 4, 1987

[52] U.S. Cl. D23/242

[58] Field of Search D23/238-243, D23/256-258; 4/191, 192; 137/801

[56] References Cited

U.S. PATENT DOCUMENTS

D. 265,229	6/1982	Paul	D23/242
D. 265,230	6/1982	Paul	D23/241
D. 265,231	6/1982	Paul	D23/241
D. 267,111	11/1982	Arnolds	D23/242
D. 271,514	11/1983	Paul	D23/242

D. 278,458	4/1985	Paul	D23/242
D. 279,213	6/1985	Paul	D23/242
D. 280,232	8/1985	Paul	D23/242
D. 280,437	9/1985	Rademacher	D23/242
D. 287,160	12/1986	Rademacher	D23/242
D. 290,159	6/1987	Jans	D23/242

Primary Examiner—James R. Largen
Attorney, Agent, or Firm—Darby & Darby

[57] CLAIM

The ornamental design for a faucet set, as shown and described.

DESCRIPTION

FIG. 1 is a top perspective view of a faucet set showing my new design;

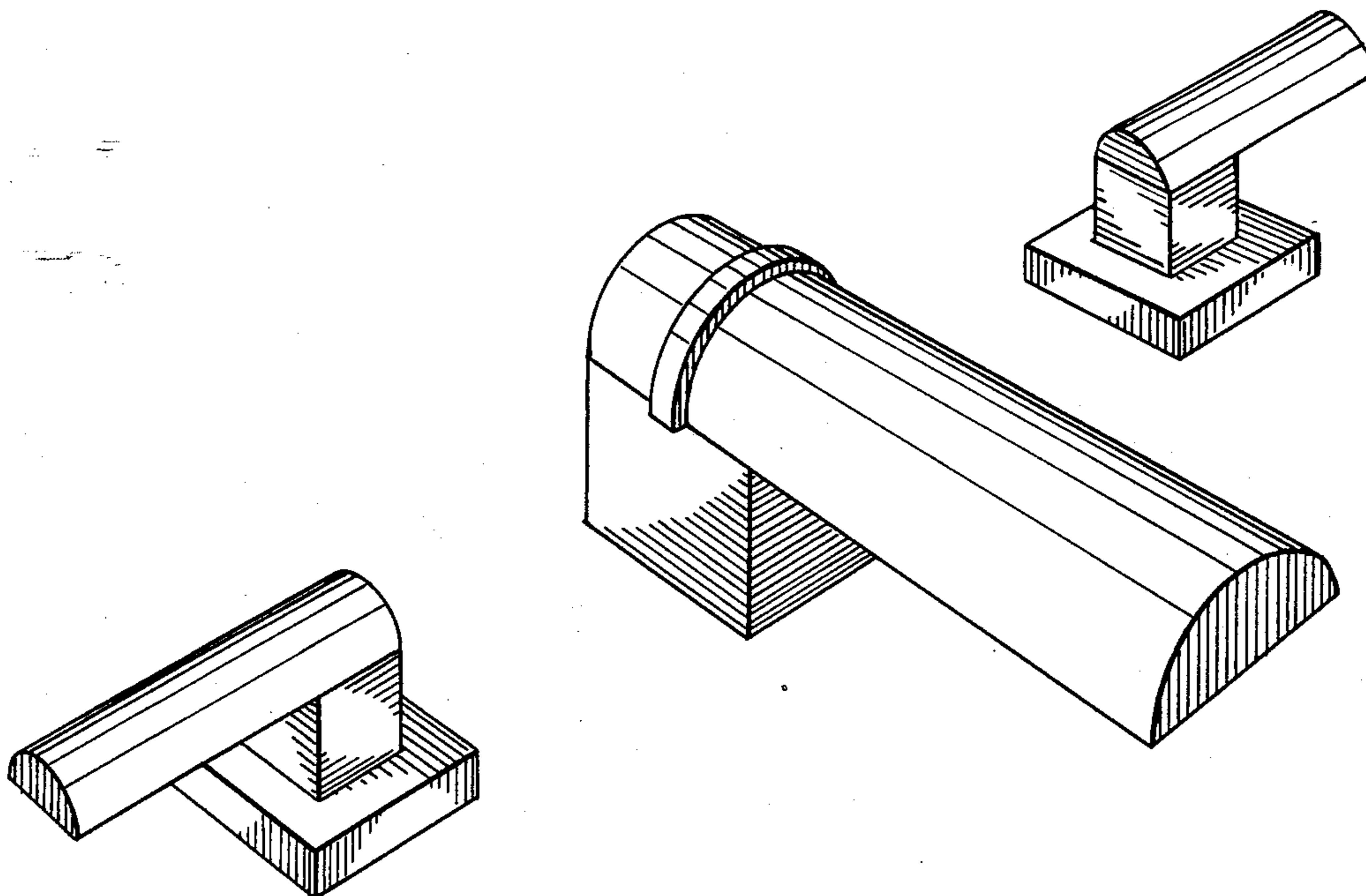
FIG. 2 is a front elevational view thereof;

FIG. 3 is a top plan view thereof;

FIG. 4 is a right side elevational view thereof, the left side being a mirror image of the left side shown;

FIG. 5 is a rear elevational view thereof; and

FIG. 6 is a bottom plan view thereof.



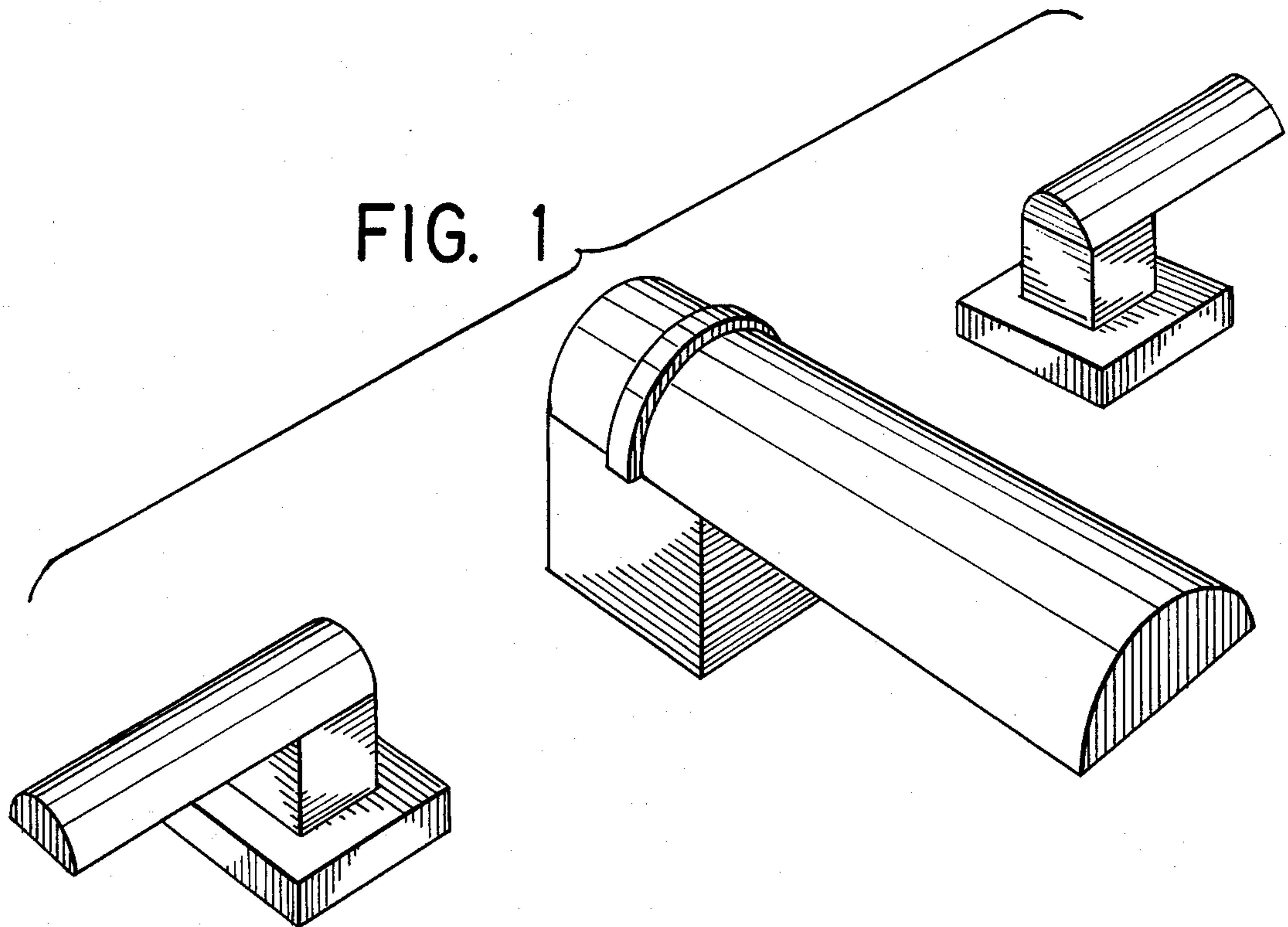


FIG. 2

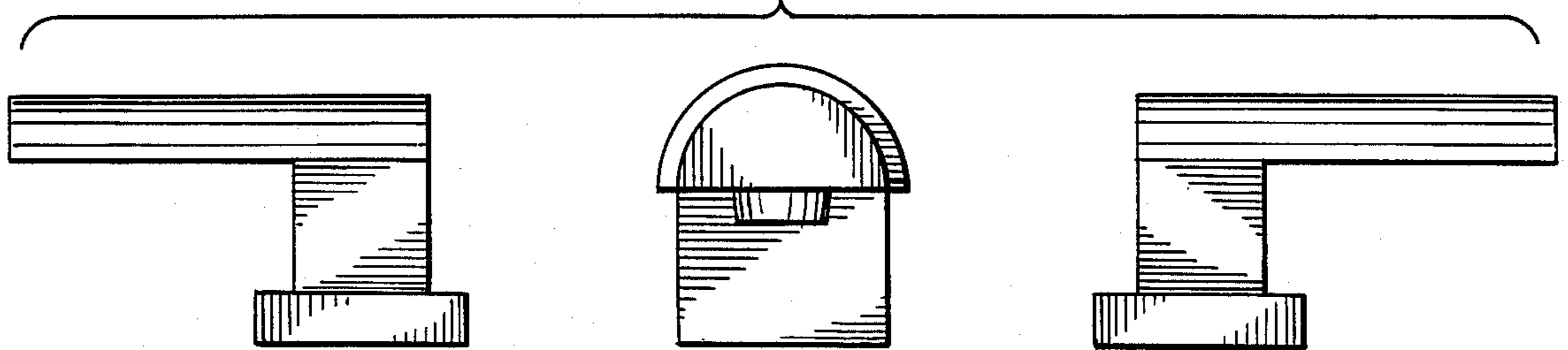


FIG. 3

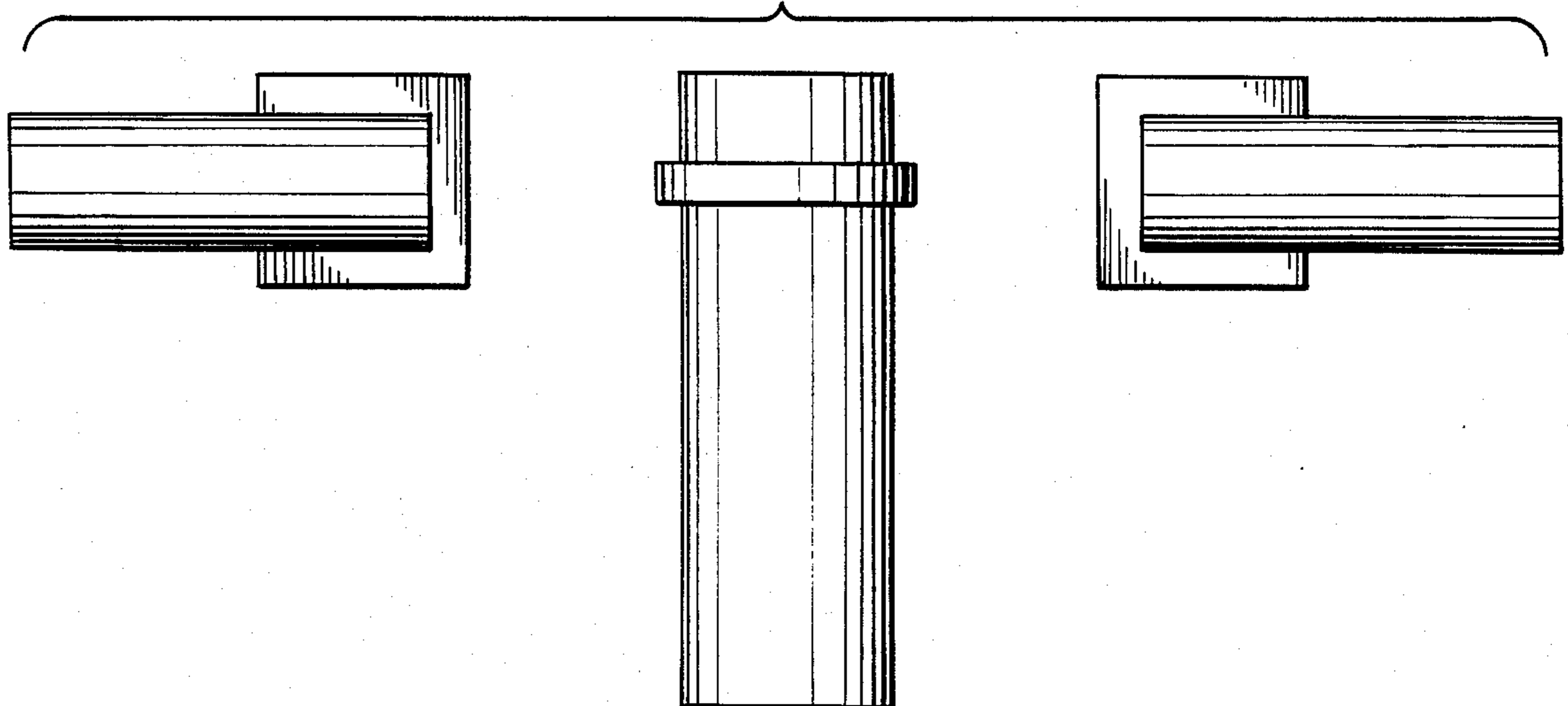


FIG. 4

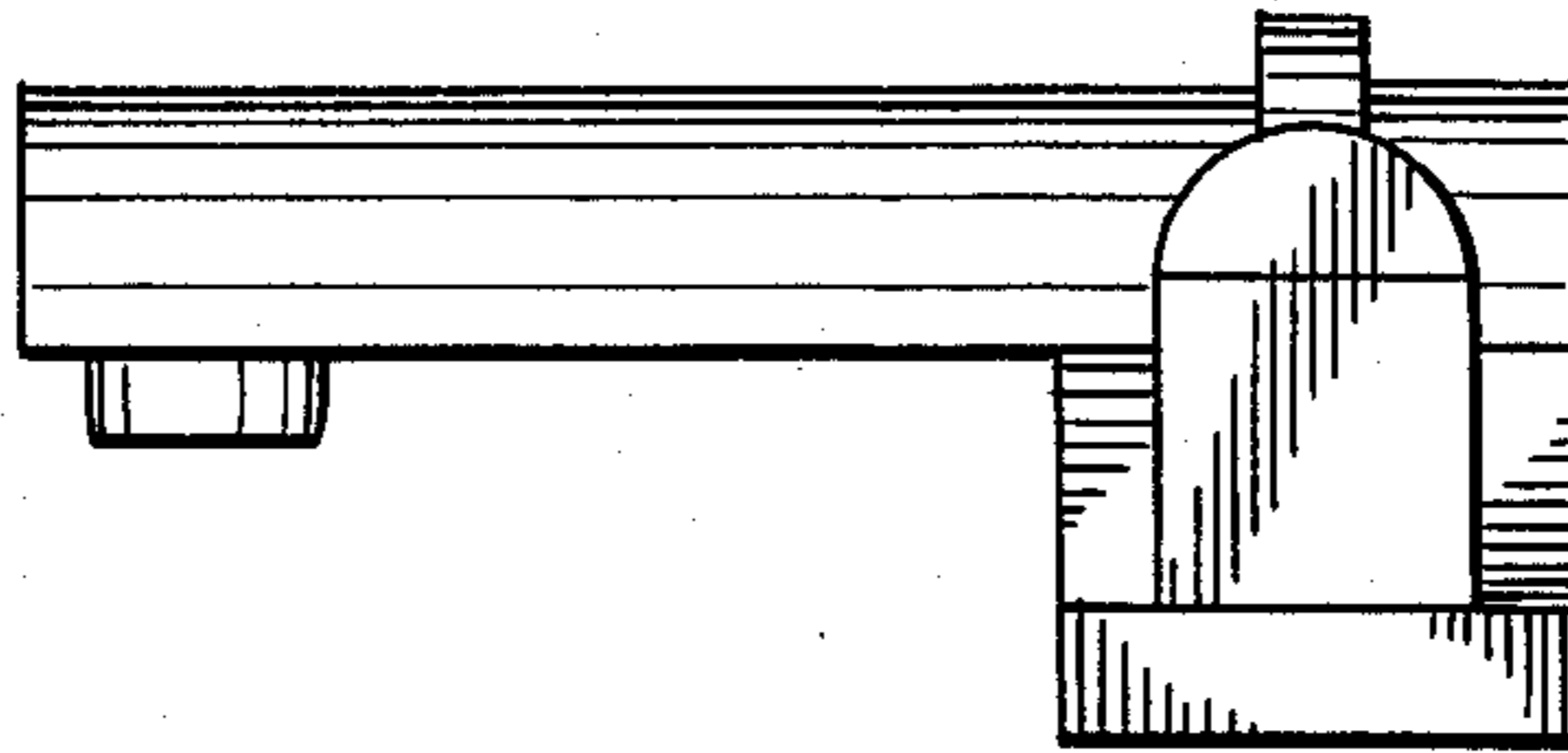


FIG. 5

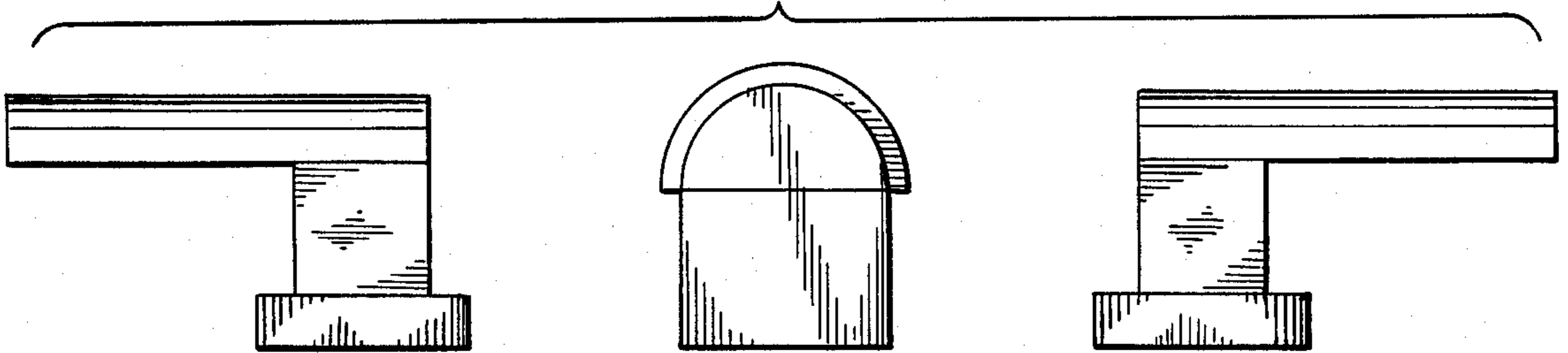


FIG. 6

