

United States Patent [19]
Griffin

[11] **Patent Number: Des. 300,939**

[45] **Date of Patent: ** May 2, 1989**

[54] **HOUSING FOR VERTICAL EXERCISING WEIGHT ARRAY**

[75] **Inventor: John Griffin, Salt Lake City, Utah**

[73] **Assignee: Hoggan Health Industries, Inc., Salt Lake City, Utah**

[**] **Term: 14 Years**

[21] **Appl. No.: 919,864**

[22] **Filed: Oct. 16, 1986**

[52] **U.S. Cl. D21/191**

[58] **Field of Search D21/191-199;
272/130, 134, 118, 143**

[56] **References Cited**

U.S. PATENT DOCUMENTS

D. 280,922 10/1985 Sieder D21/191

D. 296,709 7/1988 Gvoich et al. D21/195
4,387,893 6/1983 Baldwin 272/118
4,741,530 5/1988 Wolf 272/118

Primary Examiner—Charles A. Rademaker

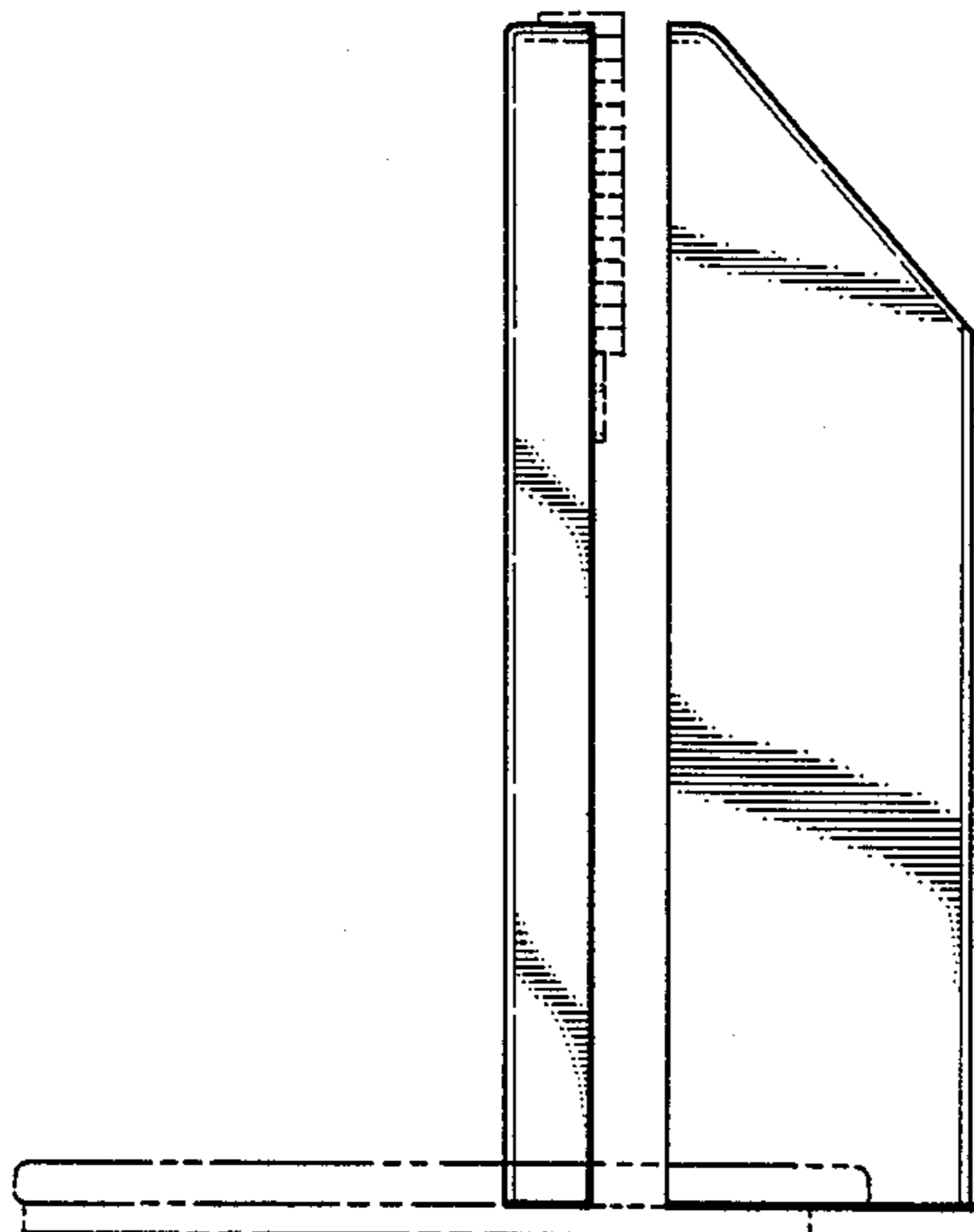
Attorney, Agent, or Firm—Philip A. Mallinckrodt;
Robert R. Mallinckrodt

[57] **CLAIM**

The ornamental design for housing for vertical exercising weight array, as shown and described.

DESCRIPTION

FIG. 1 is a front elevational view of housing for vertical exercising weight array showing my new design; FIG. 2 is a right side elevational view, the left side being a mirror image thereof; FIG. 3 is a rear elevational view thereof; FIG. 4 is a top plan view thereof; and FIG. 5 is a bottom plan view thereof.



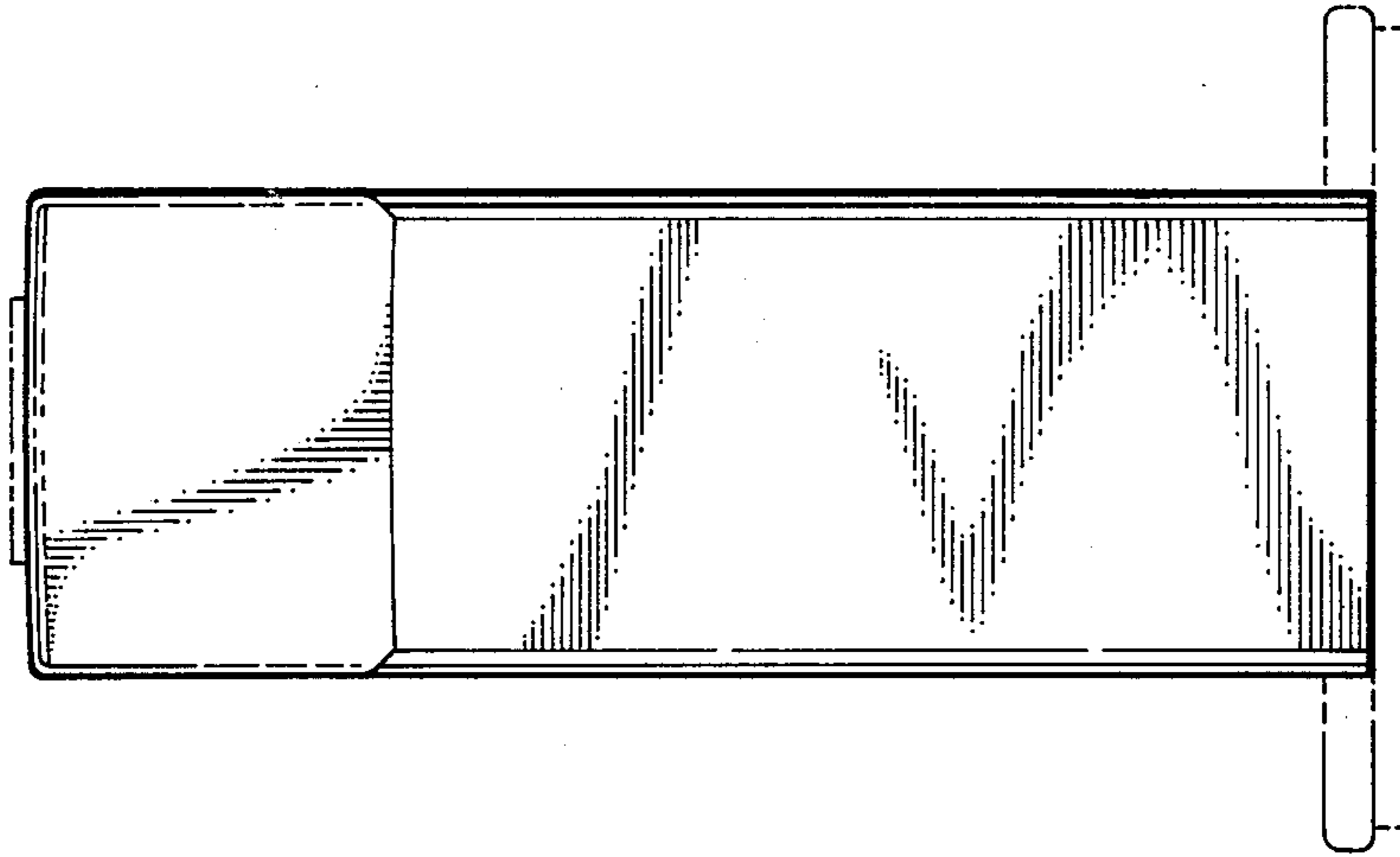


FIG. 3

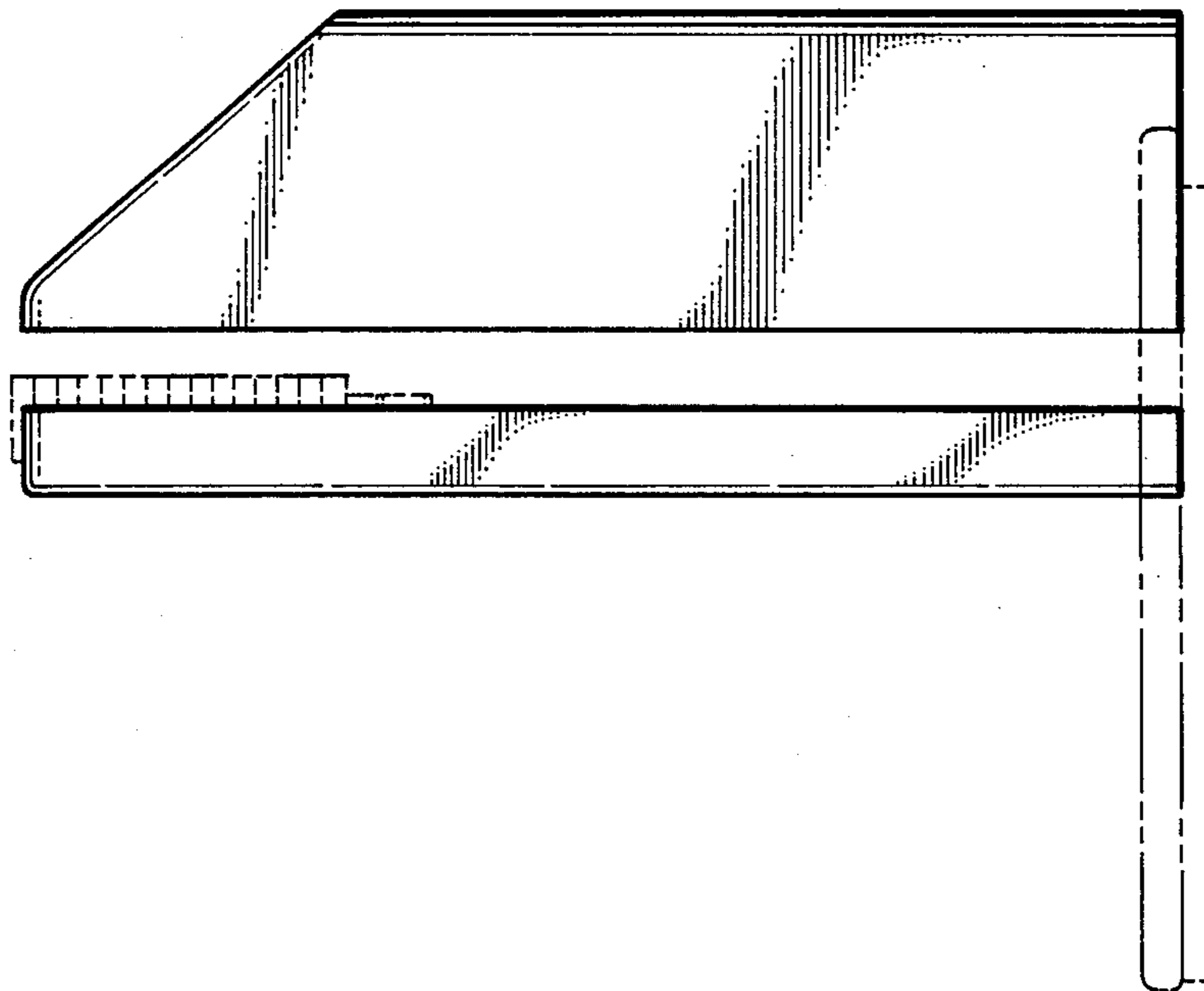


FIG. 2

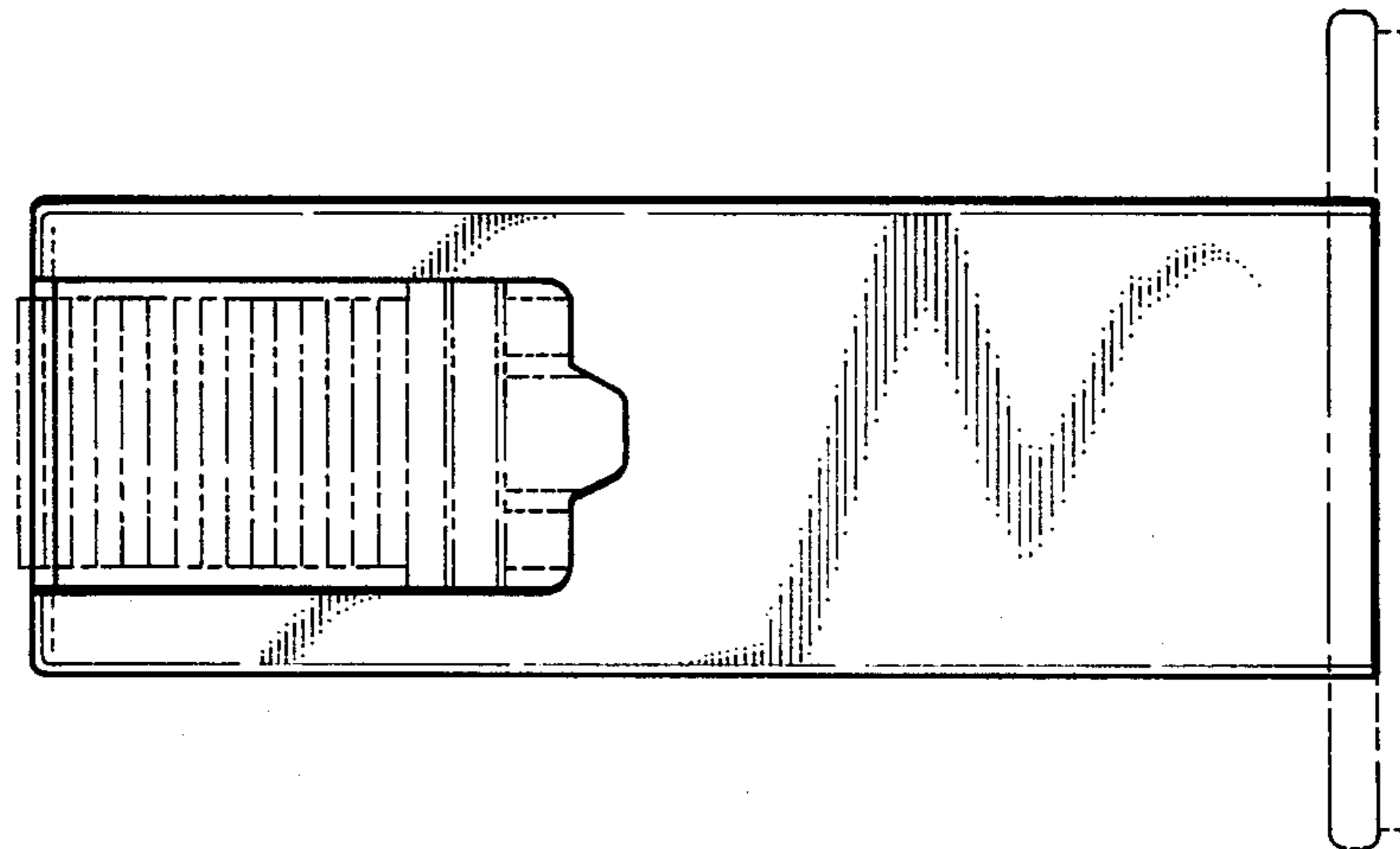


FIG. 1

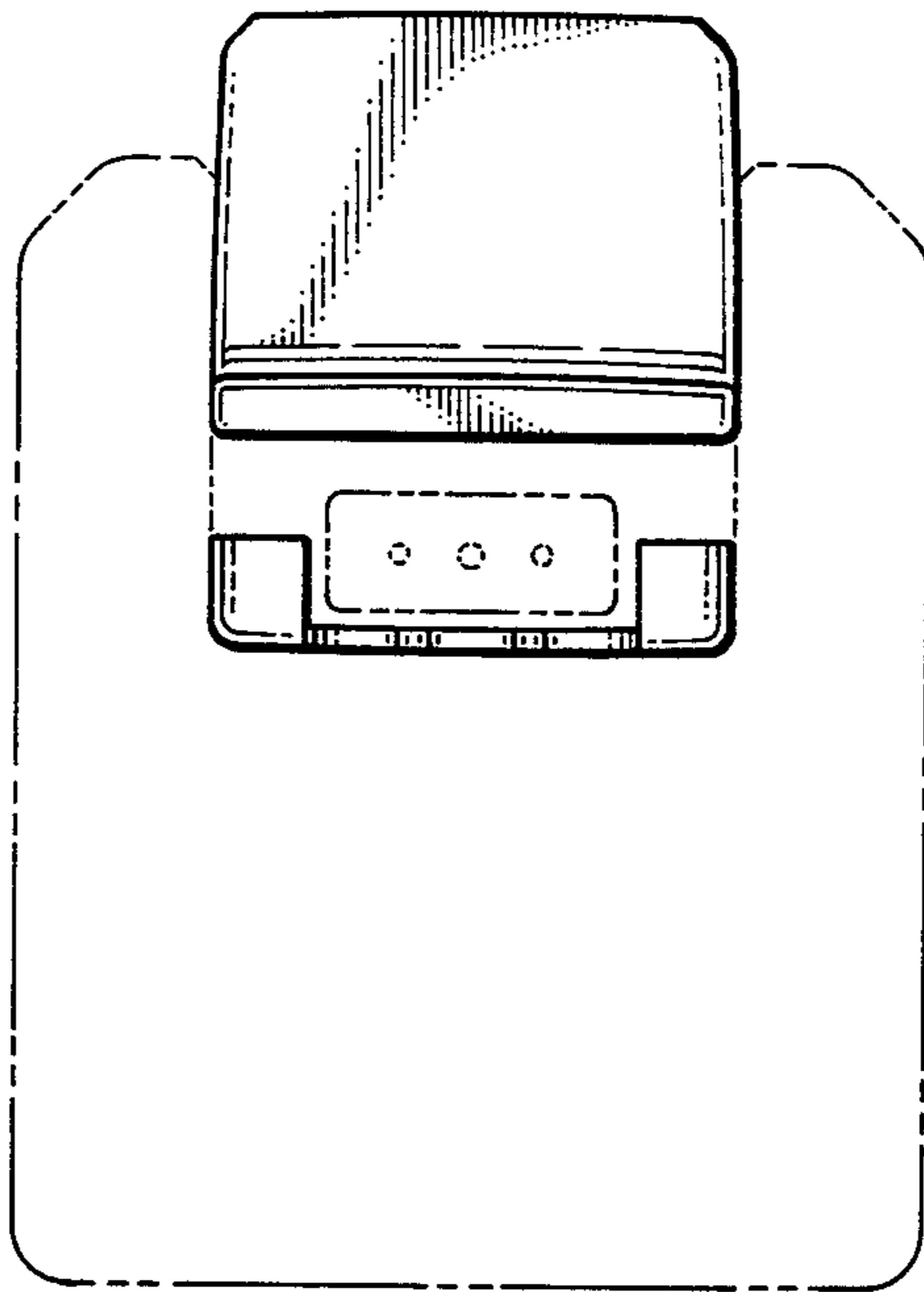


FIG. 4

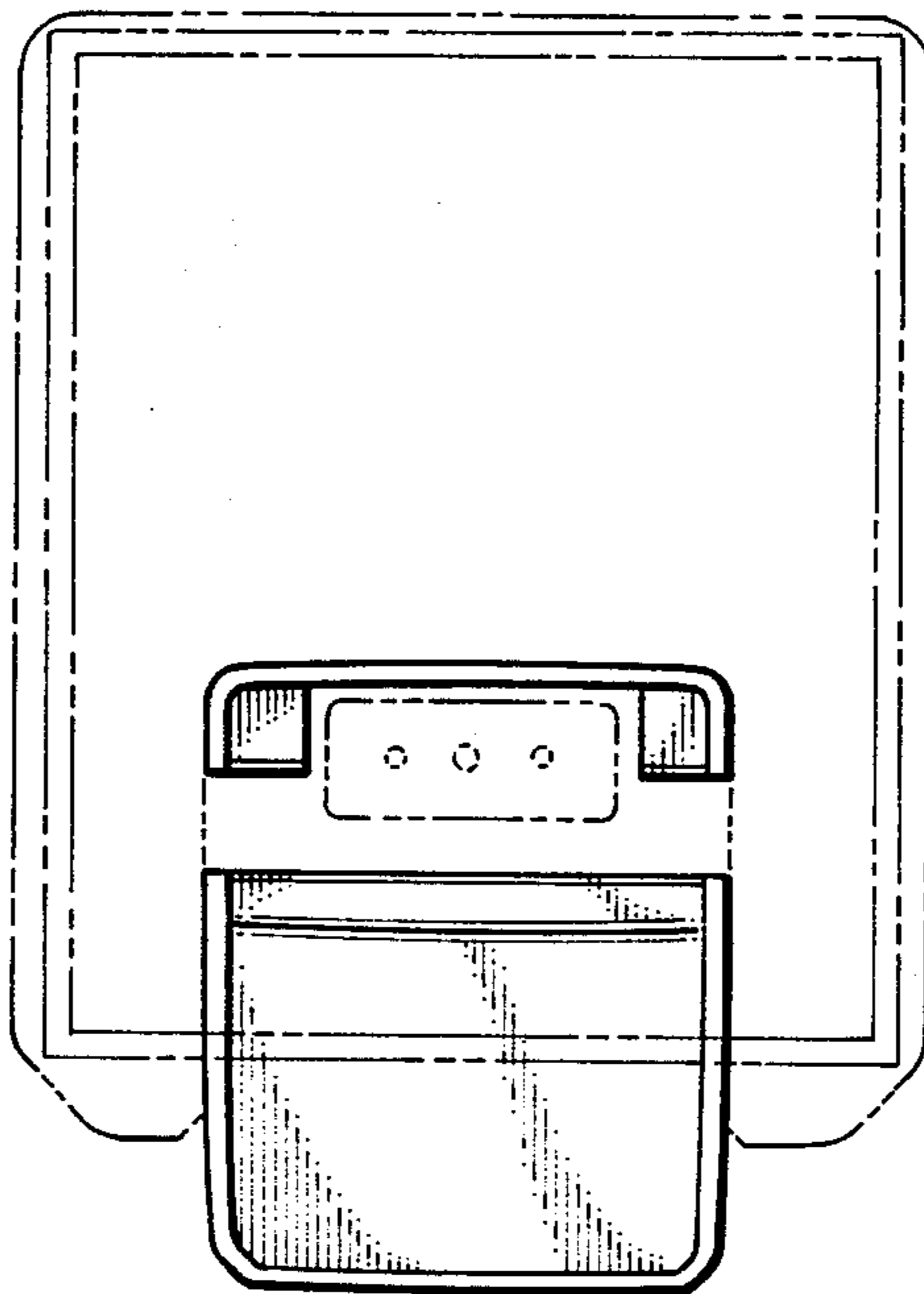


FIG. 5