

United States Patent [19]

Maddock et al.

[11] Patent Number: **Des. 300,935**

[45] Date of Patent: **** May 2, 1989**

[54] **INDUSTRIAL ROBOT**

[75] Inventors: **Peter Maddock; Jan Örn**, both of Stockholm; **Thord Porsander**, Västerås; **Mikael Bergman**, Västerås; **Leif Telldén**, Västerås, all of Sweden

[73] Assignee: **Asea Aktiebolag**, Västerås, Sweden

[**] Term: **14 Years**

[21] Appl. No.: **885,709**

[22] Filed: **Jul. 15, 1986**

[30] **Foreign Application Priority Data**

Feb. 18, 1986 [SE] Sweden 86-0415

[52] U.S. Cl. **D15/199; D15/122**

[58] Field of Search **D15/122, 199; 414/729, 414/730, 732, 737, 738; 901/41**

[56] **References Cited**

U.S. PATENT DOCUMENTS

D. 273,300 4/1984 Molaug D15/199
D. 280,203 8/1985 Shibayama et al. D15/199
D. 292,000 9/1987 Shibayama et al. D15/122
4,661,040 4/1987 Cigna 414/749

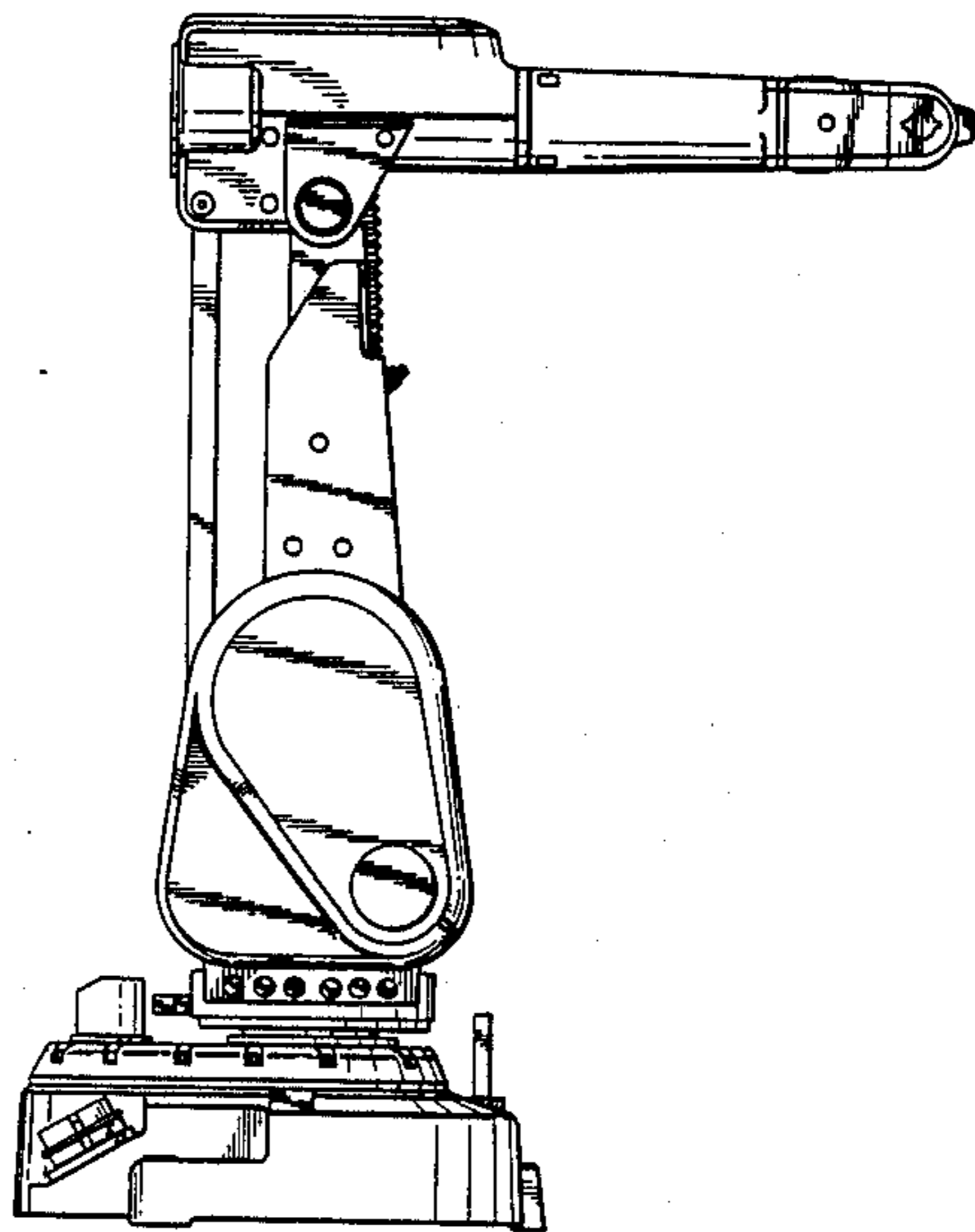
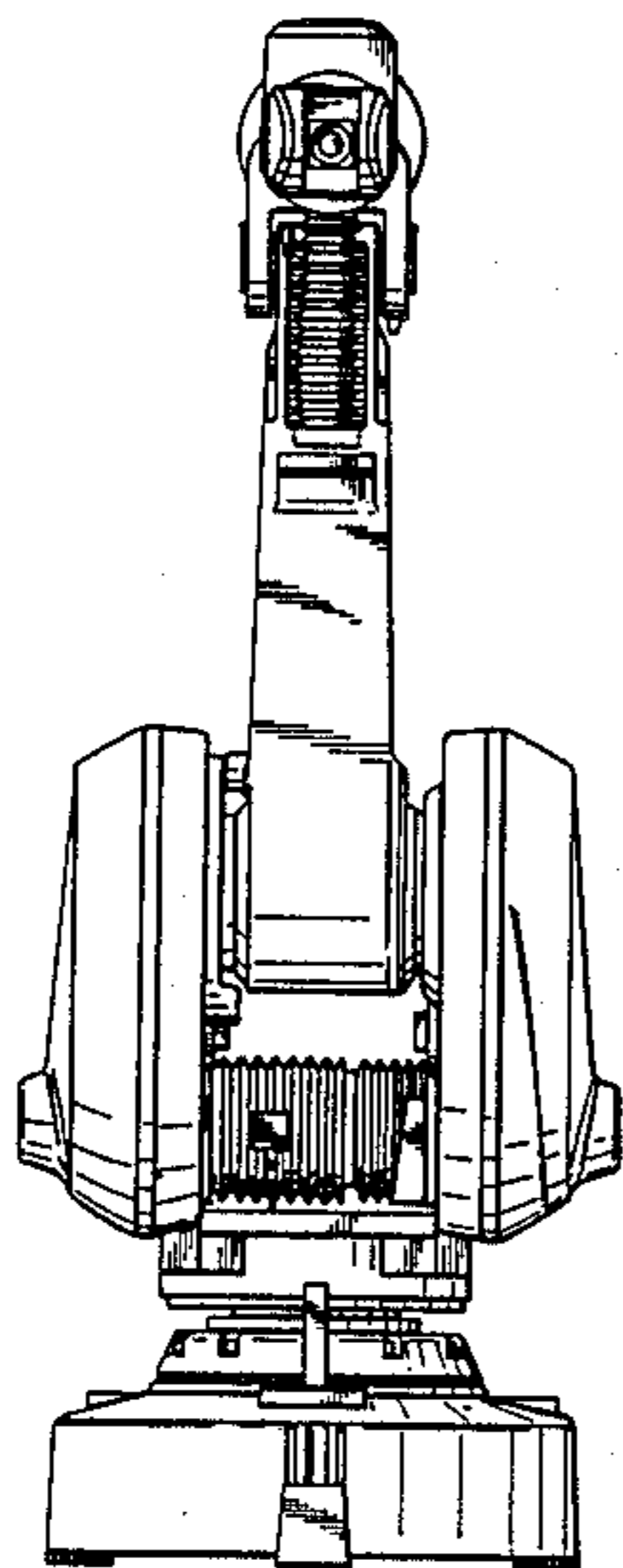
Primary Examiner—B. J. Bullock
Assistant Examiner—Dominic Simone
Attorney, Agent, or Firm—Young & Thompson

[57] **CLAIM**

The ornamental design for an industrial robot, as shown and described.

DESCRIPTION

FIG. 1 is a front elevational view of an industrial robot, showing our new design;
FIG. 2 is a rear elevational view thereof;
FIG. 3 is a right side elevational view thereof;
FIG. 4 is a left side elevational view thereof;
FIG. 5 is a top plan view thereof; and
FIG. 6 is a bottom plan view thereof.



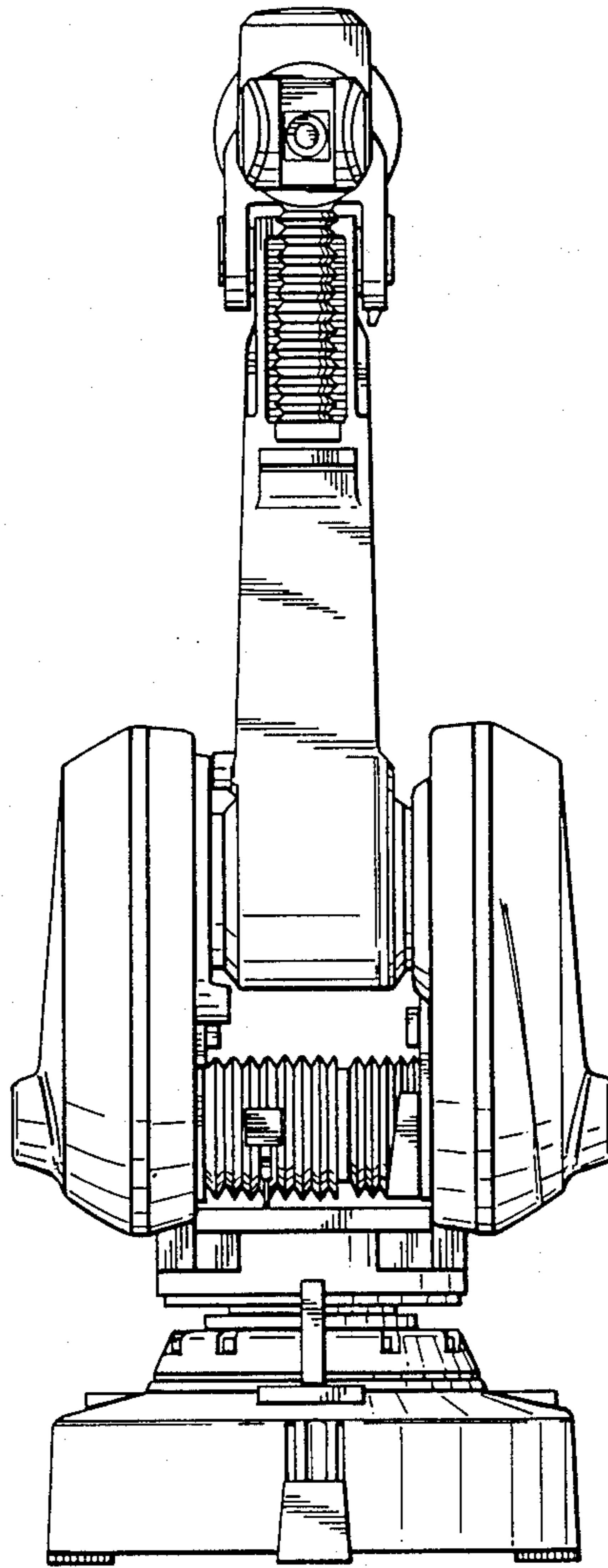


FIG.1

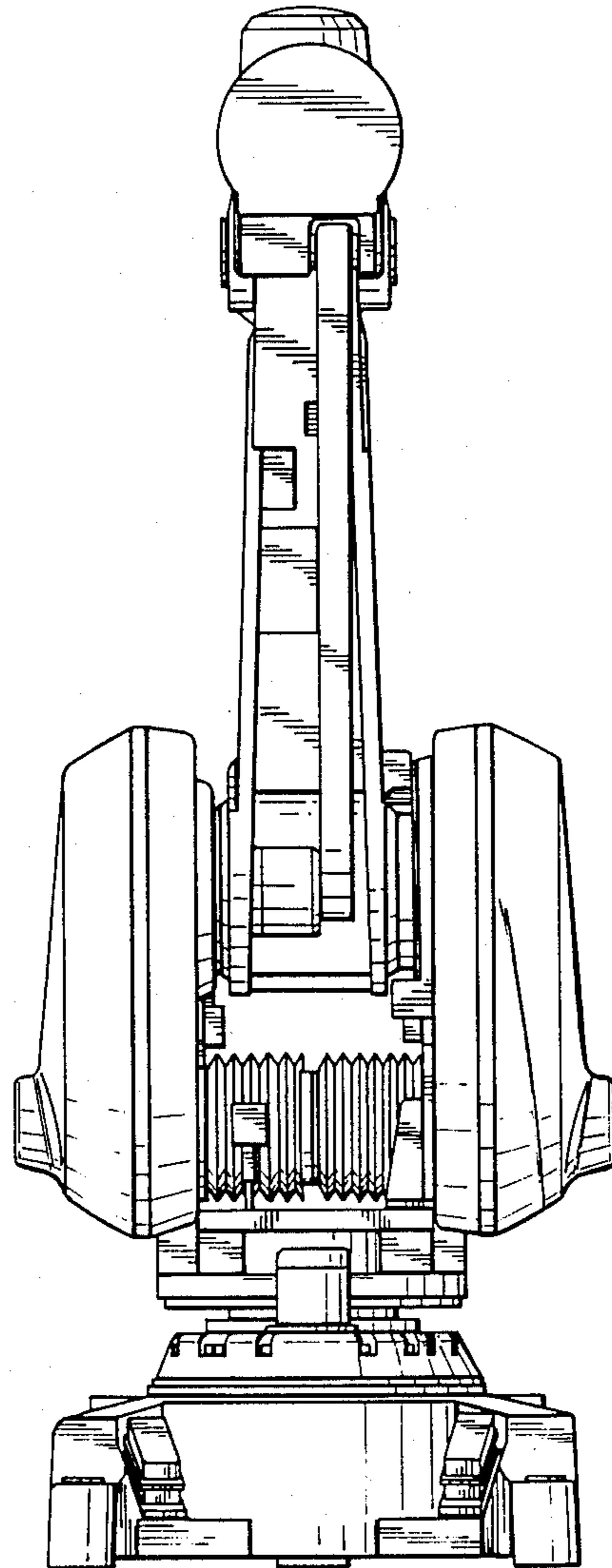


FIG. 2

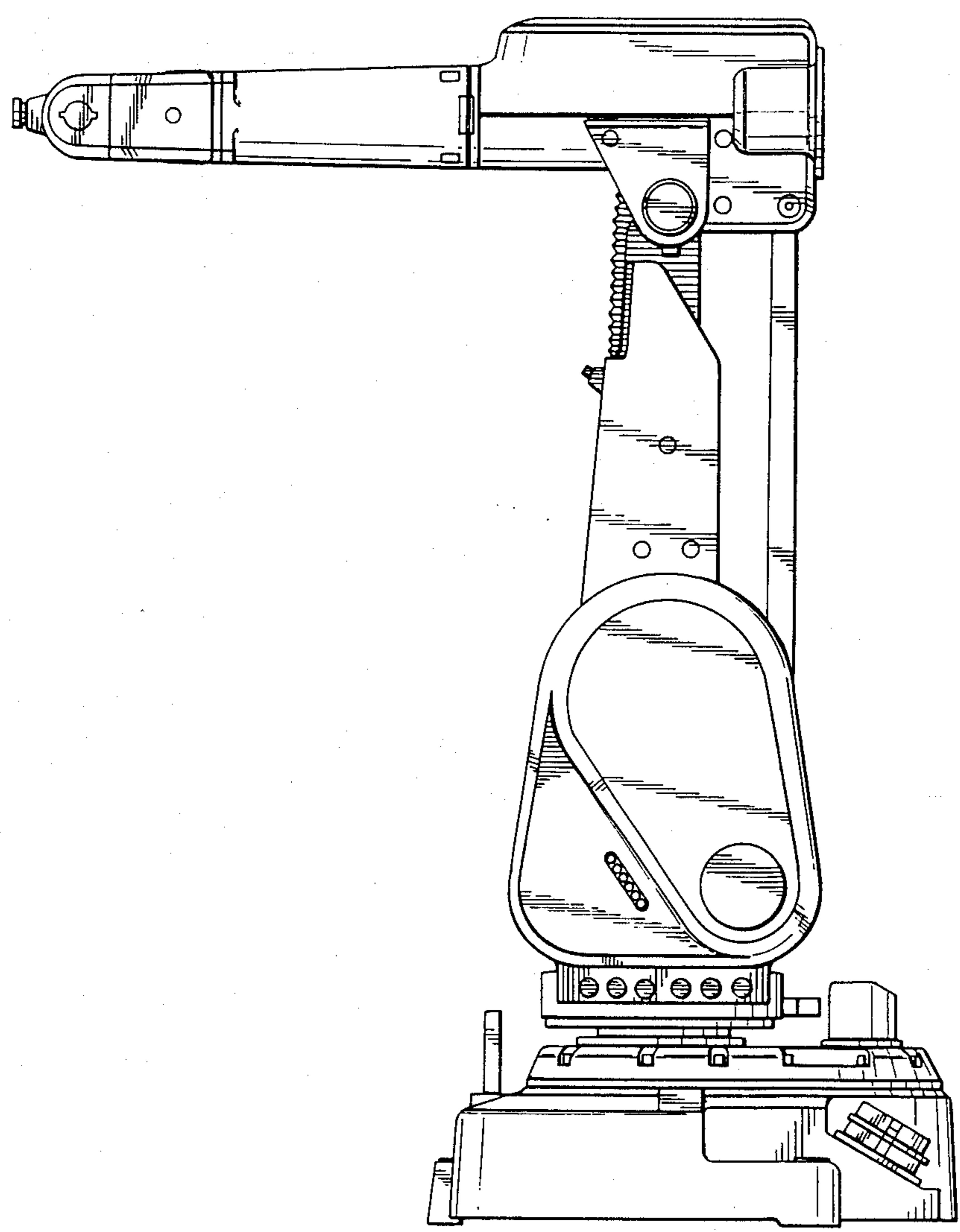


FIG. 3

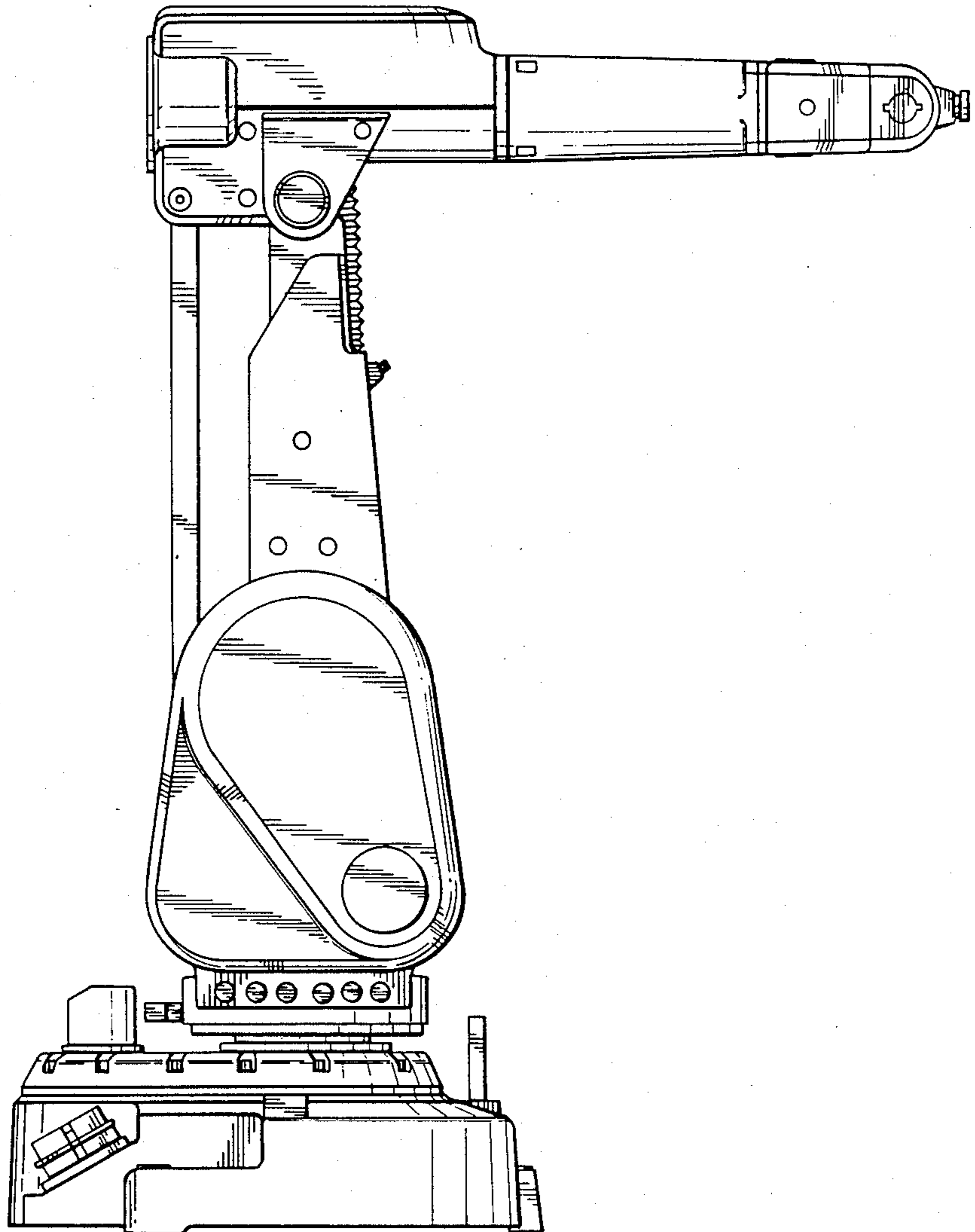


FIG. 4

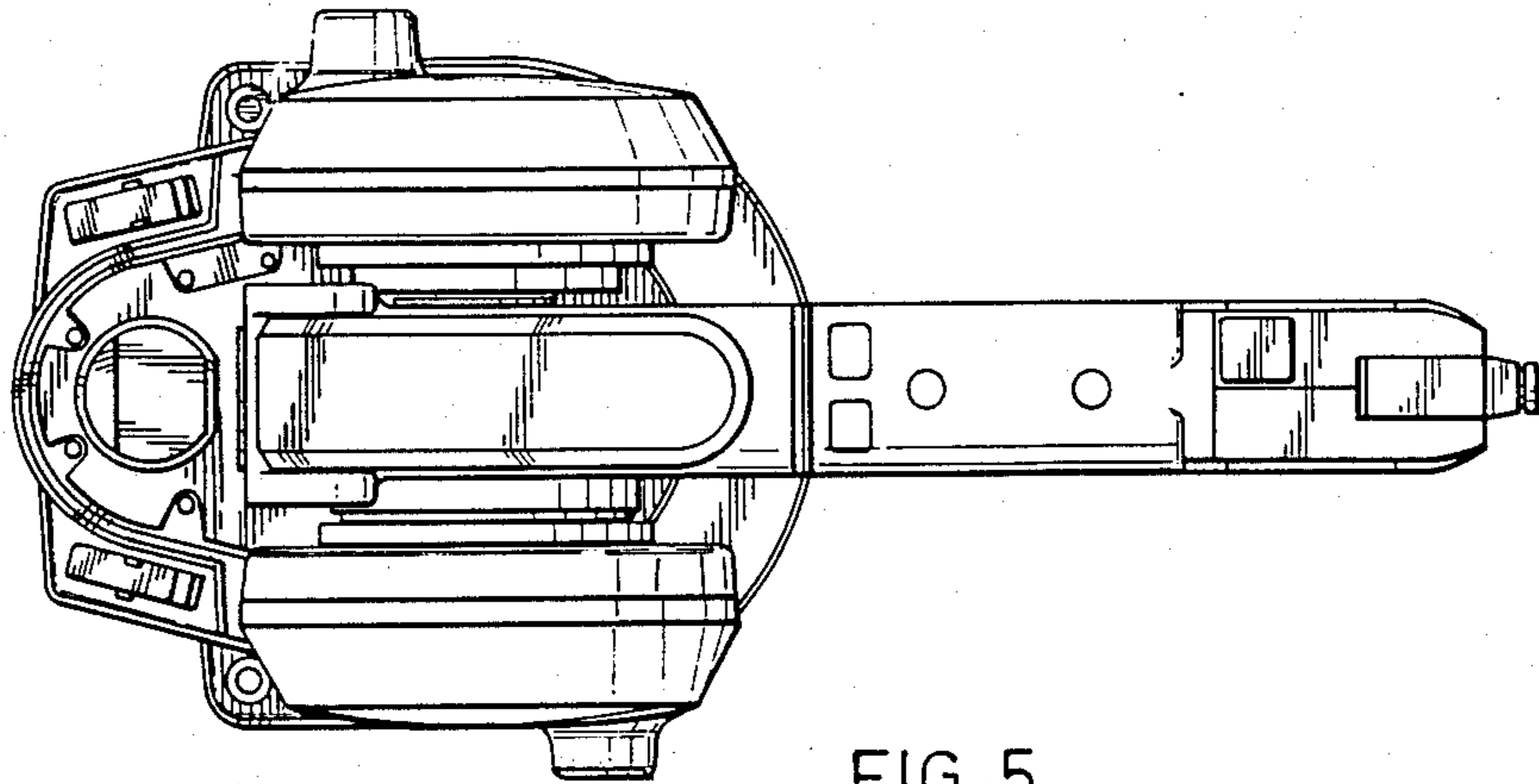


FIG. 5

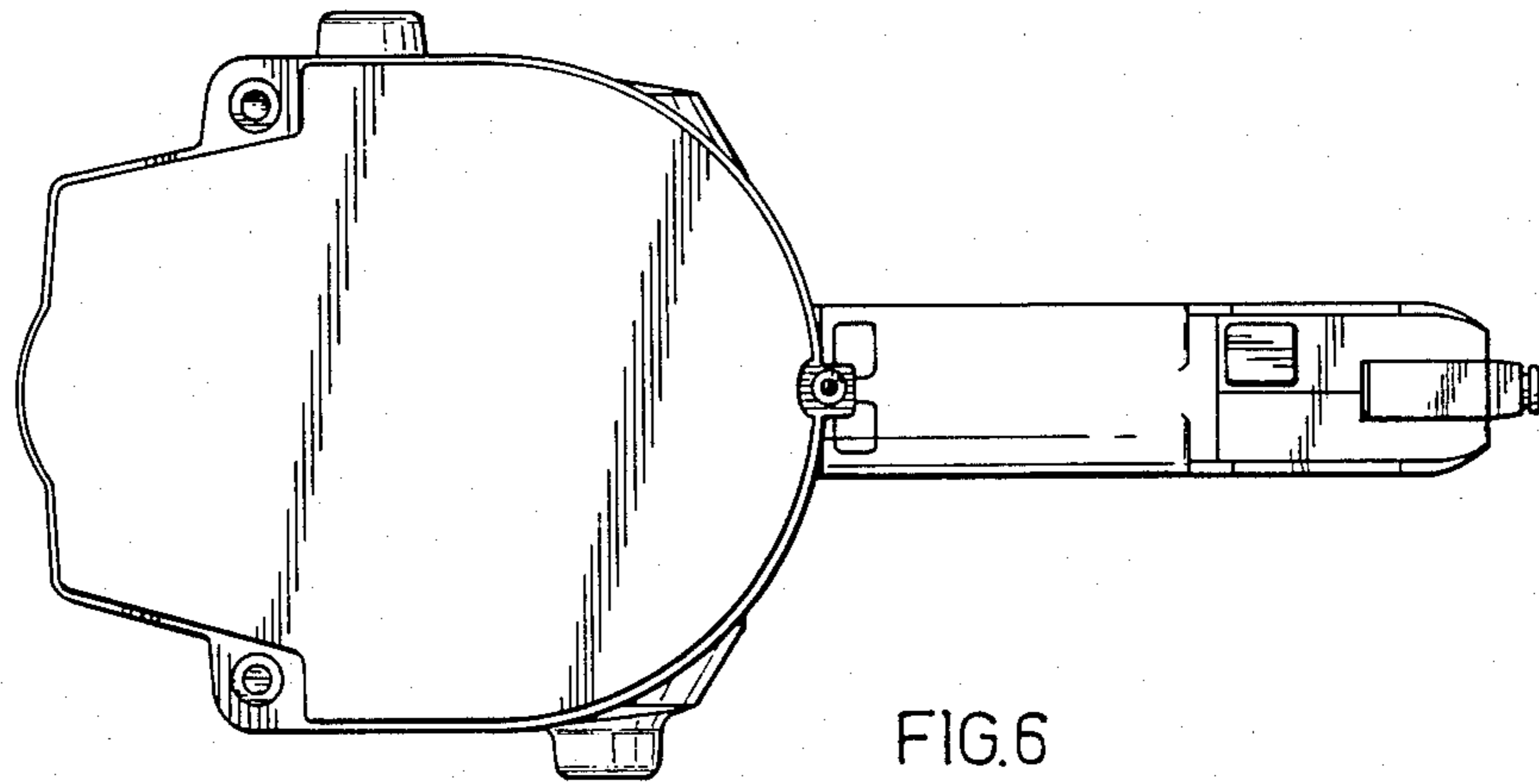


FIG. 6