

[54] **BAND SAW**

[75] **Inventor: Robert W. Arehart, Chicago, Ill.**

[73] **Assignee: Emerson Electric Co., St. Louis, Mo.**

[\*\*] **Term: 14 Years**

[21] **Appl. No.: 765,354**

[22] **Filed: Aug. 13, 1985**

[52] **U.S. Cl. .... D15/134**

[58] **Field of Search ..... D8/64; D15/133, 134;  
83/788, 809, 810, 811**

[56] **References Cited**

**U.S. PATENT DOCUMENTS**

D. 286,537 11/1986 Yamamoto ..... D15/134

**OTHER PUBLICATIONS**

Brookstone Catalog, Fall 1980, p. 63, Band Saw, top left side of page.

*Primary Examiner*—James M. Gandy  
*Attorney, Agent, or Firm*—Polster, Polster and Lucchesi

[57] **CLAIM**

The ornamental design for a band saw, as shown.

**DESCRIPTION**

FIG. 1 is a perspective view of a band saw showing my new design;

FIG. 2 is a view in perspective opposite to that shown in FIG. 1;

FIG. 3 is a top plan view thereof;

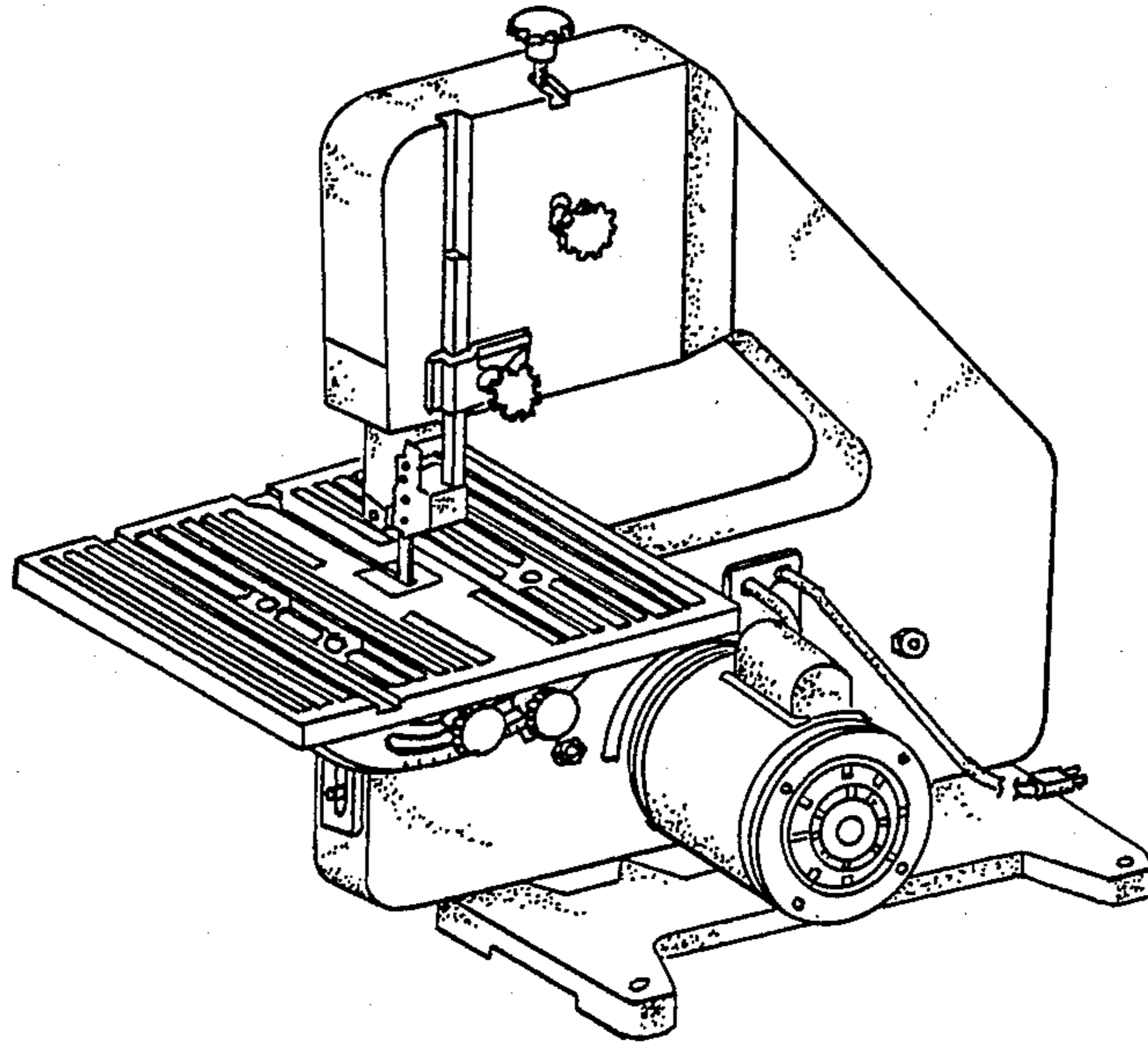
FIG. 4 is a view in side elevation thereof;

FIG. 5 is a view in side elevation opposite to that shown in FIG. 4;

FIG. 6 is a view in front elevation thereof;

FIG. 7 is a back elevation view thereof; and

FIG. 8 is a bottom plan view thereof.



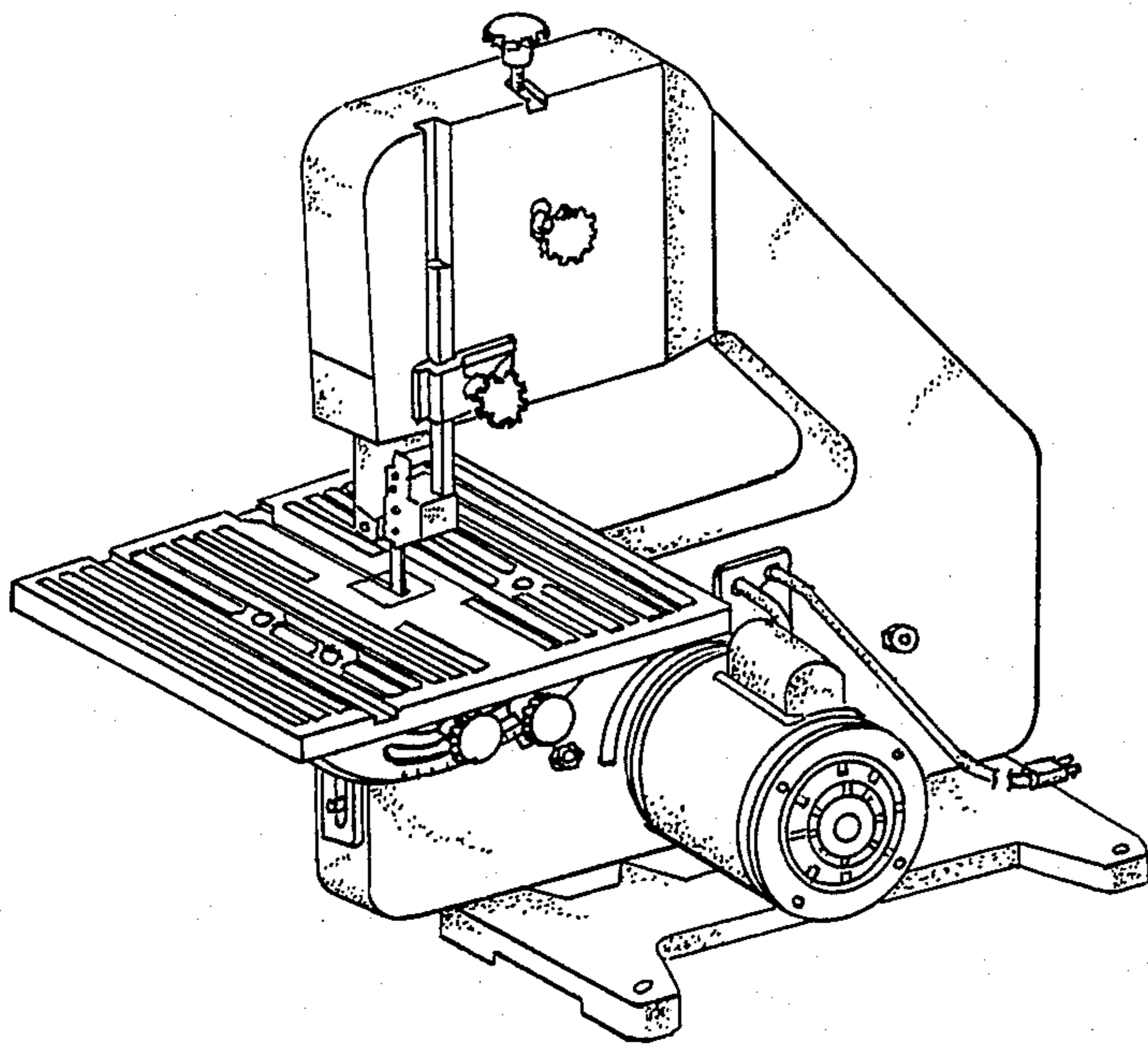


FIG. 1.

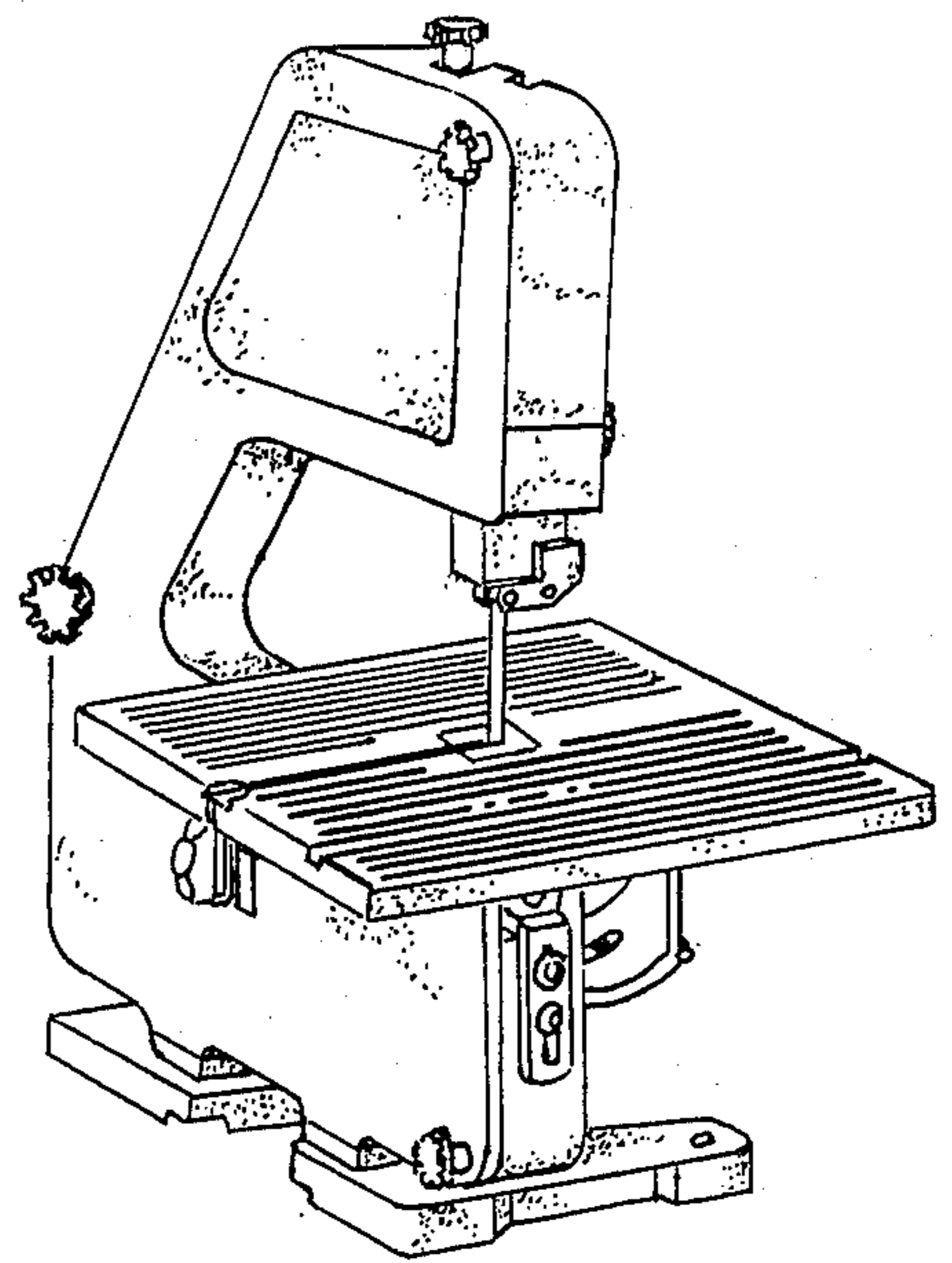


FIG. 2.

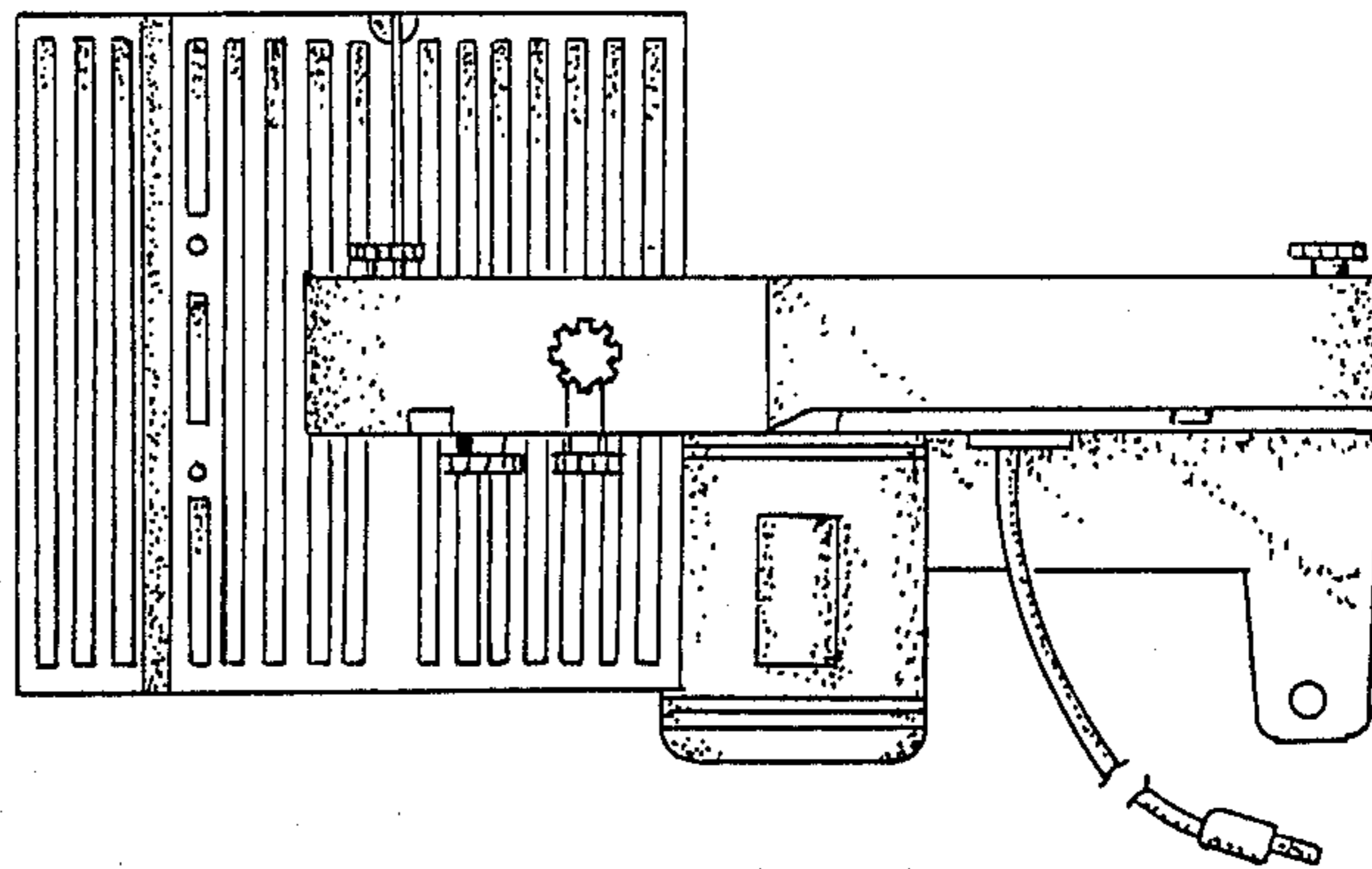


FIG. 3.

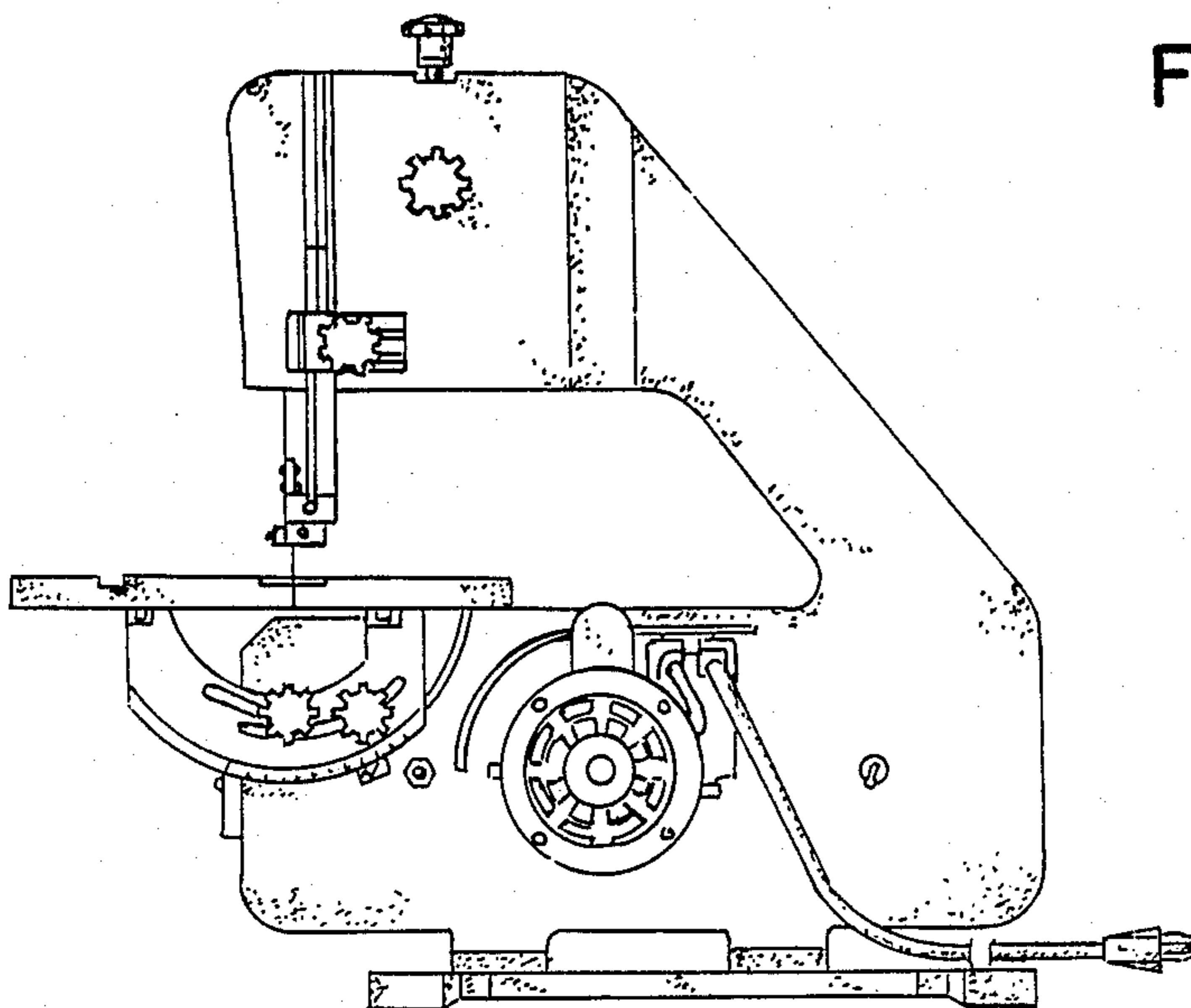


FIG. 4.

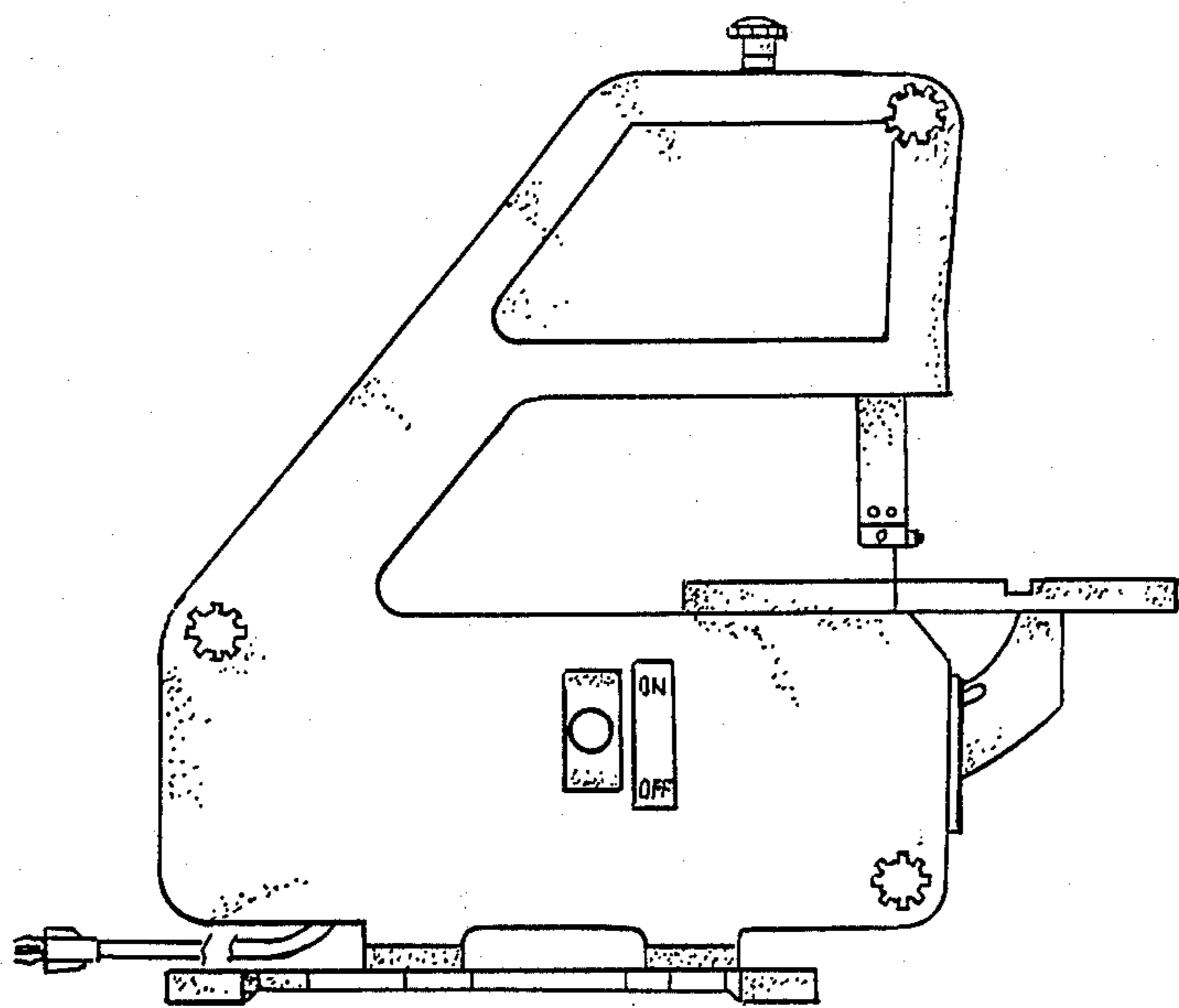


FIG. 5.

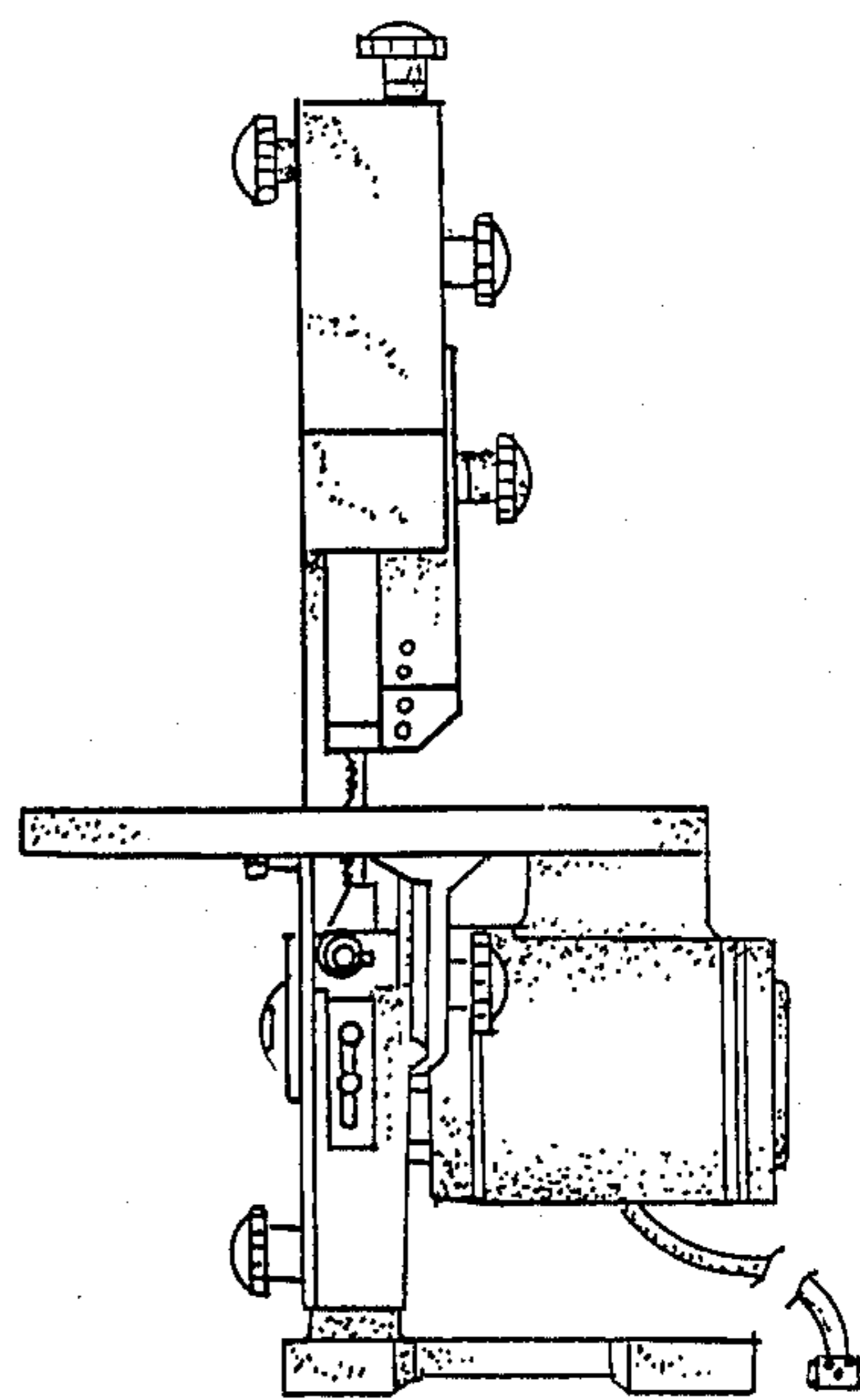


FIG. 6.

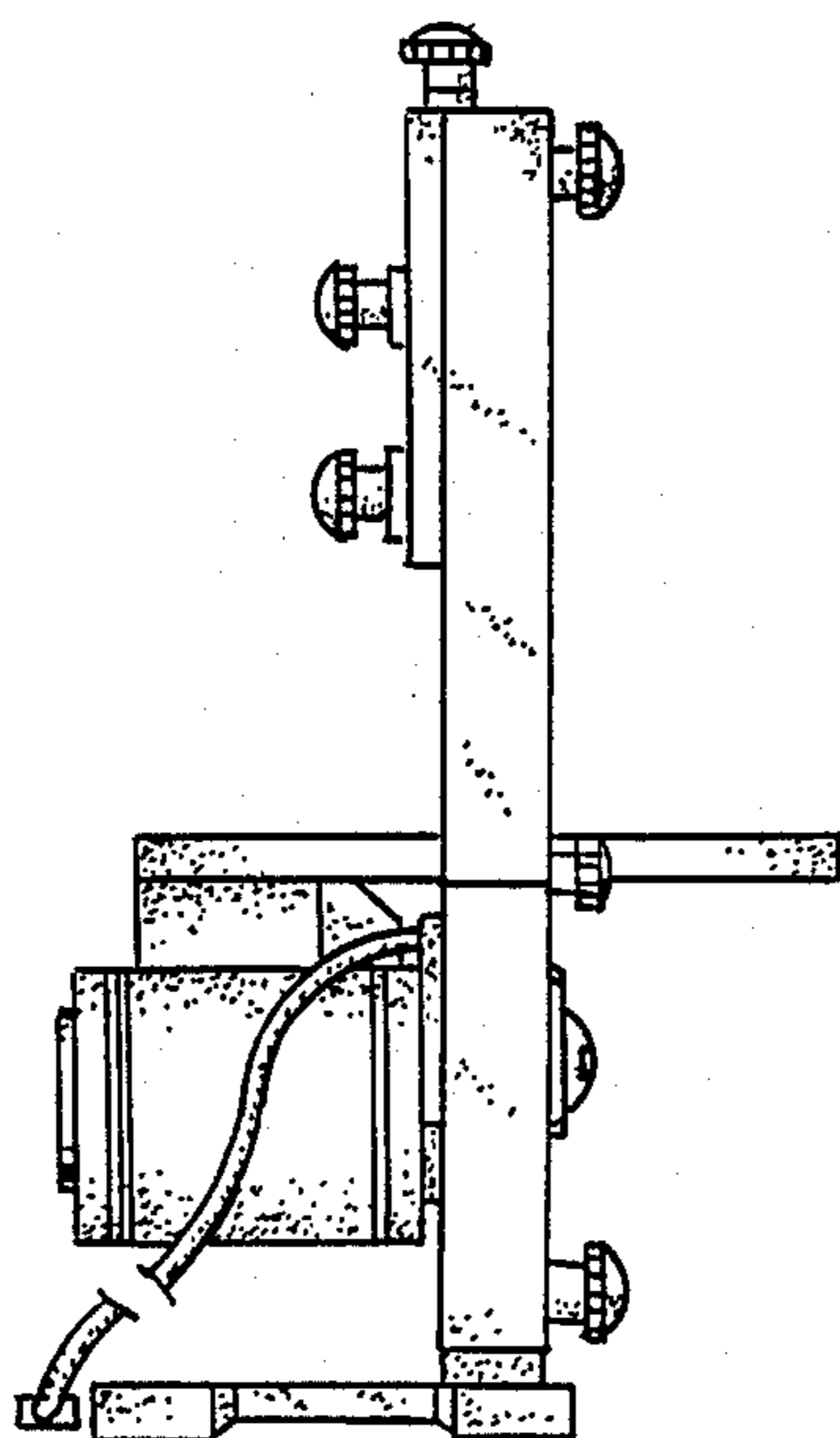


FIG. 7.

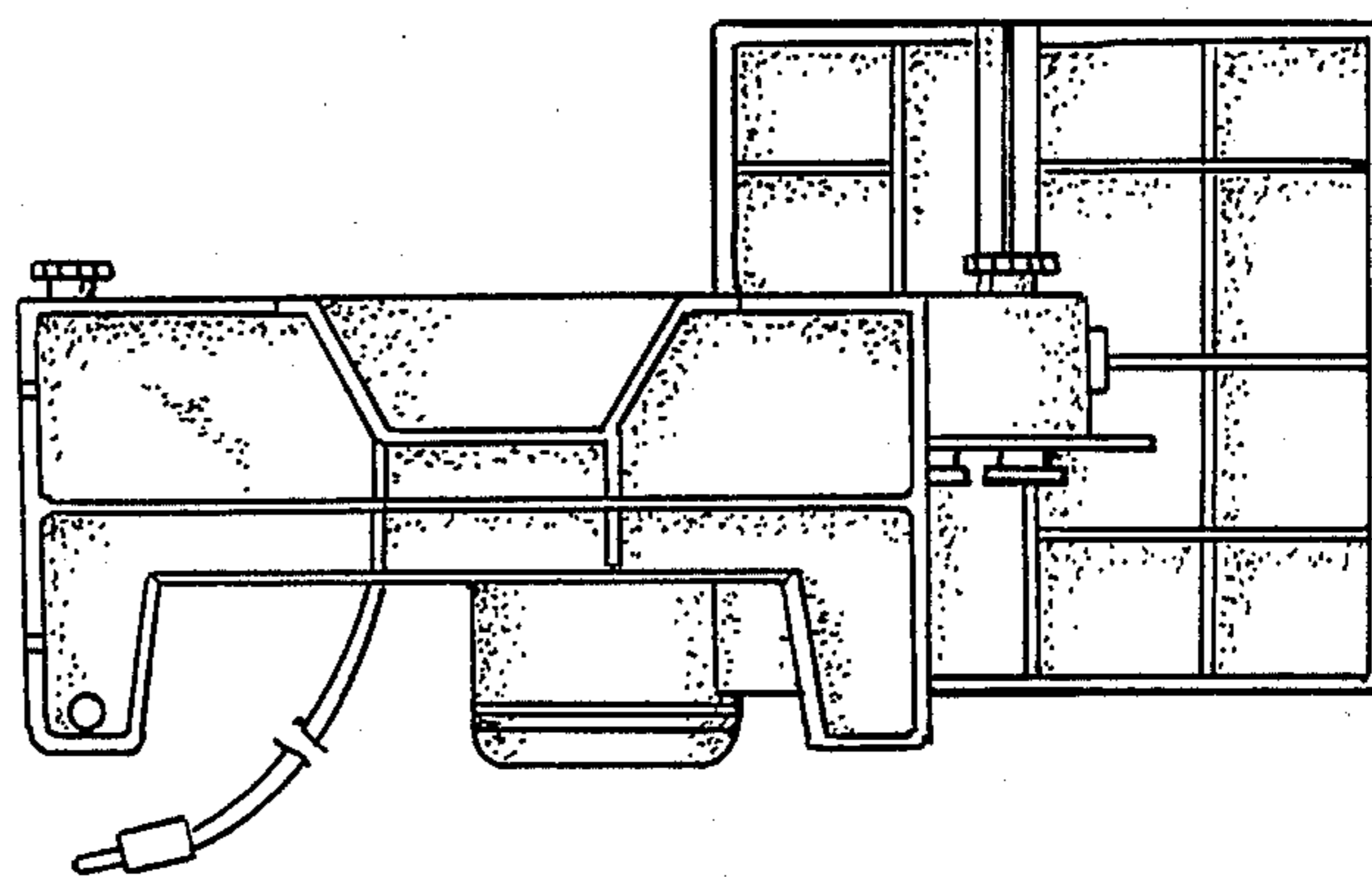


FIG. 8.