

[54] **PLANER**
[75] **Inventor: Giuseppe Gemmani, Rimini, Italy**
[73] **Assignee: SCM S.p.A., Italy**
[**] **Term: 14 Years**
[21] **Appl. No.: 942,591**
[22] **Filed: Dec. 16, 1986**

[30] **Foreign Application Priority Data**
Jul. 4, 1986 [IT] Italy 4923/86[U]
[52] **U.S. Cl. D15/127**
[58] **Field of Search D15/124, 127; 29/30;
144/114 R, 117 R**

[56] **References Cited**
U.S. PATENT DOCUMENTS
D. 143,178 12/1945 Yager D15/127
D. 266,766 11/1982 Lawson D15/127

D. 284,863 7/1986 Miller, Jr. D15/124
D. 285,083 8/1986 Miyamoto D15/127
2,873,776 2/1959 Buttke 144/114 R
3,718,168 2/1973 Berends 144/117 R
4,394,878 7/1983 Rice et al. 144/117 R

Primary Examiner—B. J. Bullock
Attorney, Agent, or Firm—Darby & Darby

[57] **CLAIM**

The ornamental design for a planer, as shown and described.

DESCRIPTION

FIG. 1 is a front elevational view of the planer, embodying my new design.
FIG. 2 is a rear elevational view thereof.
FIG. 3 is a left side elevational view thereof.
FIG. 4 is a right side elevational view thereof.
FIG. 5 is a top plan view thereof.
FIG. 6 is a right front perspective view thereof.
FIG. 7 is a left front perspective view thereof.

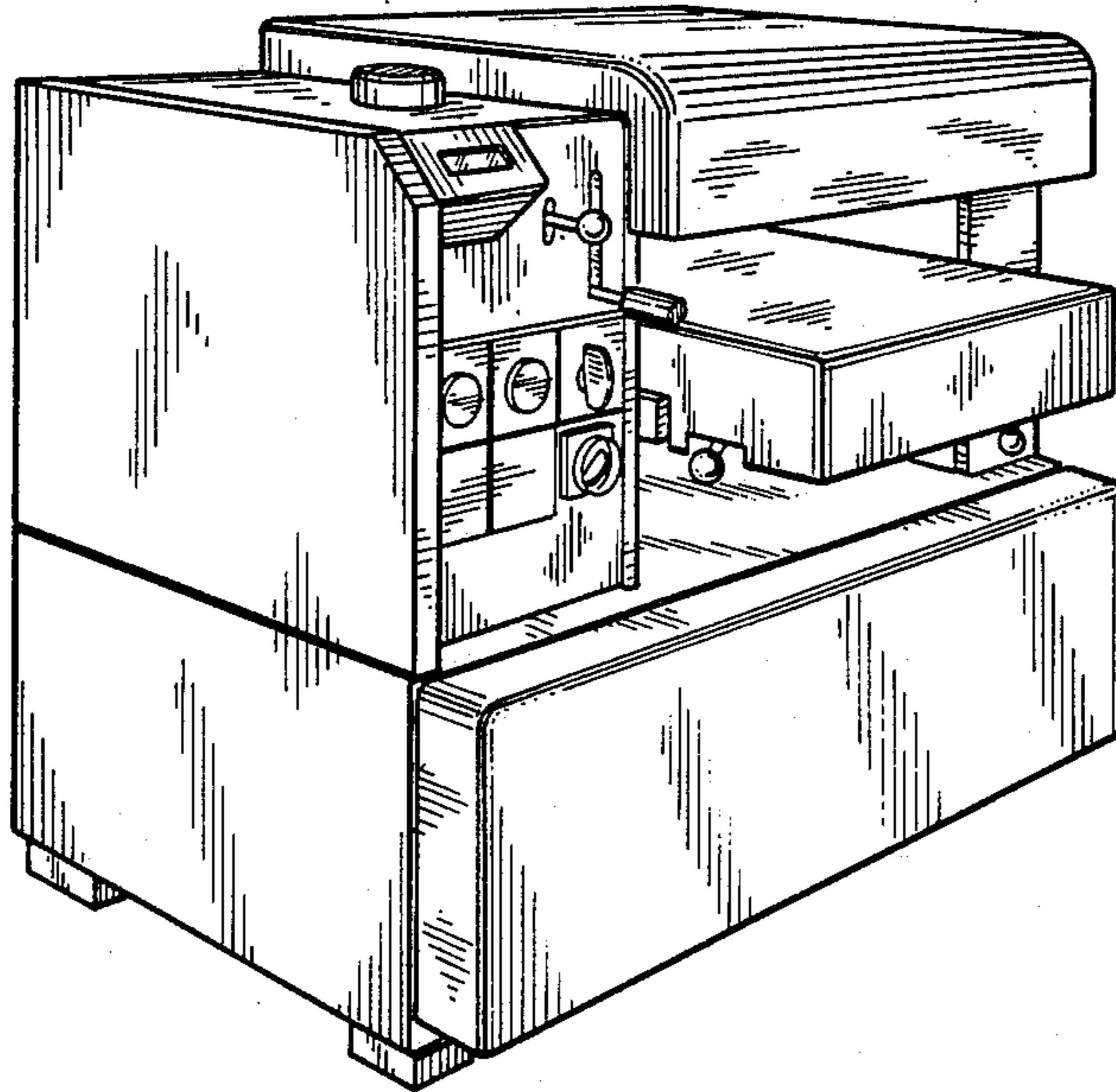


FIG.1

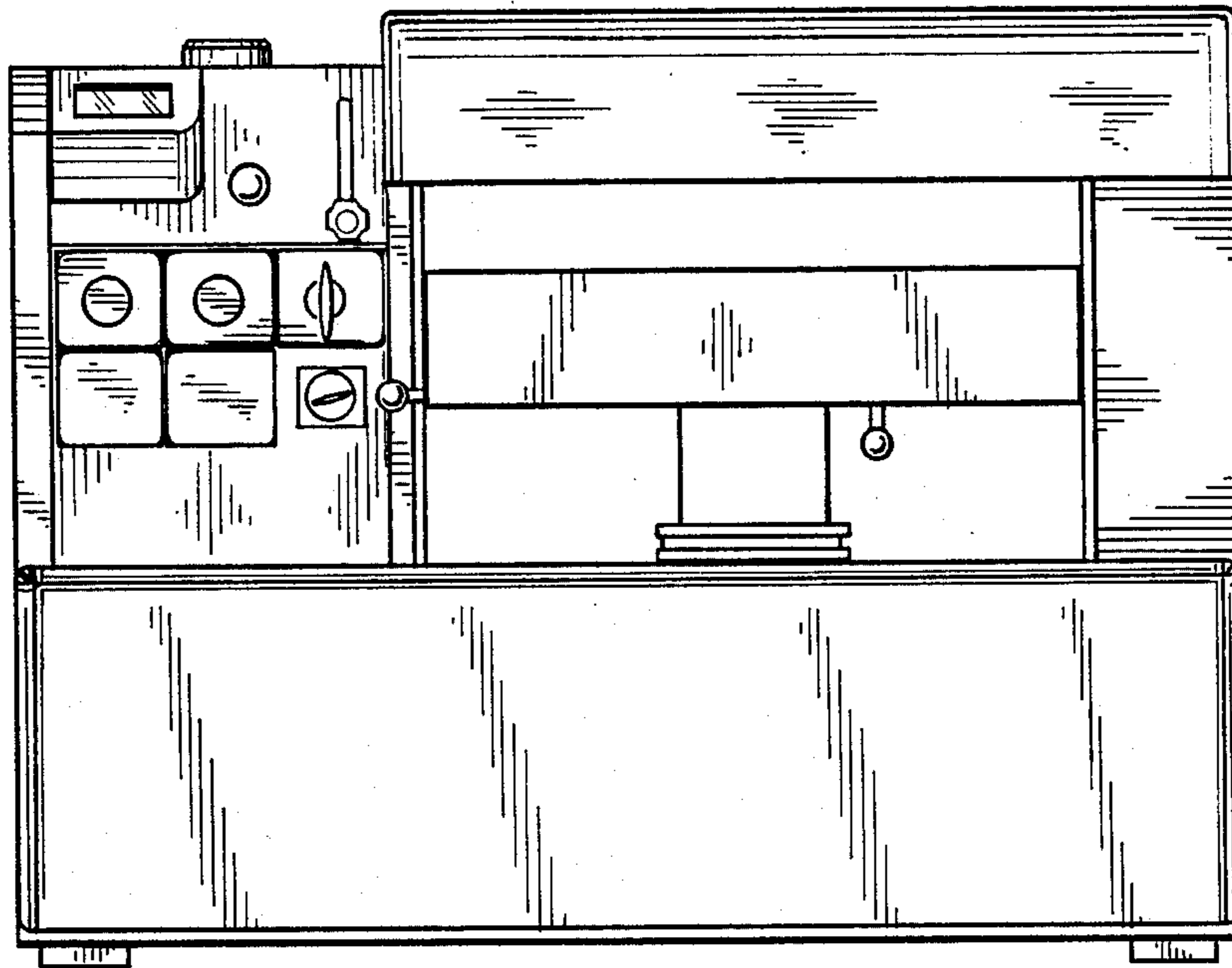
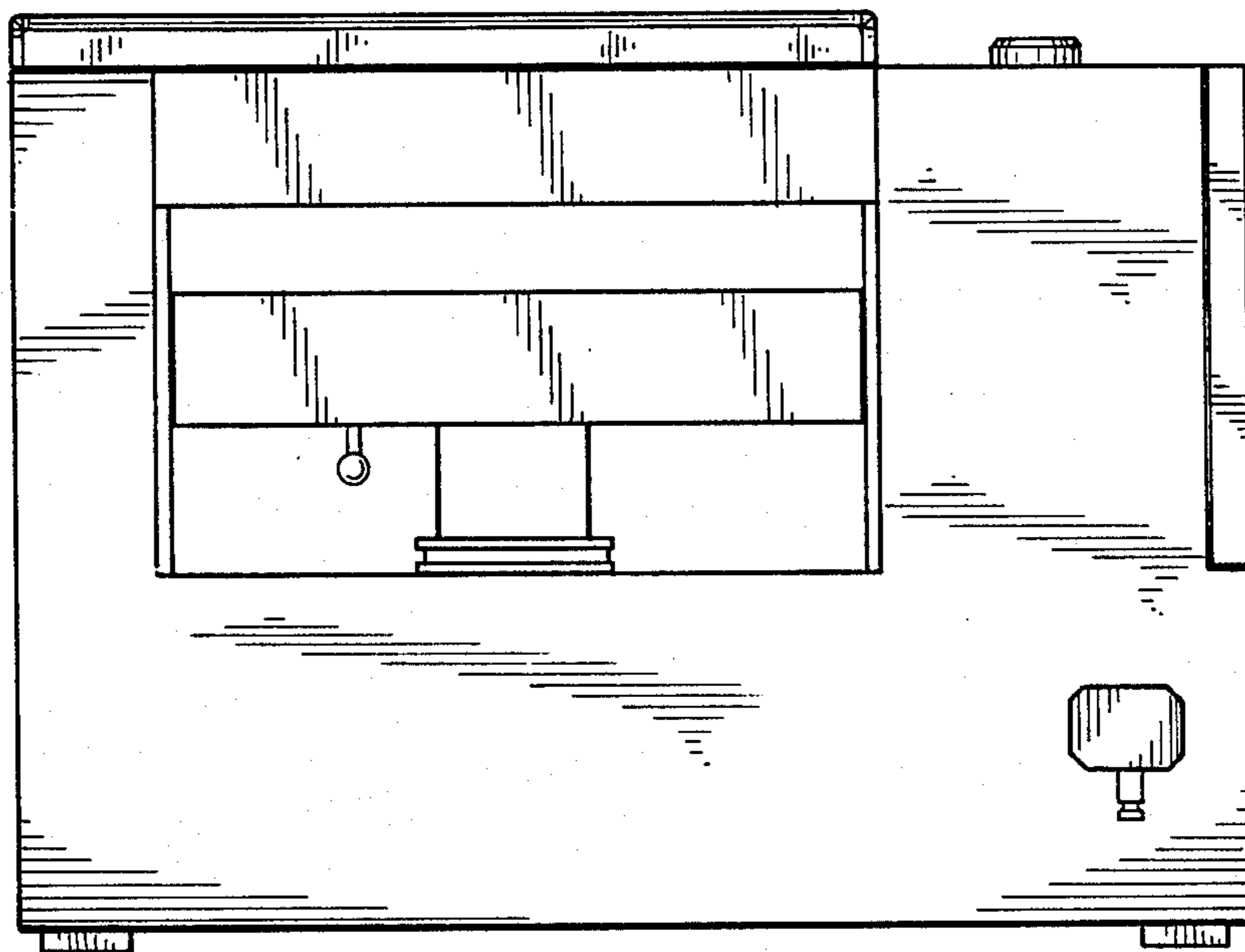


FIG.2



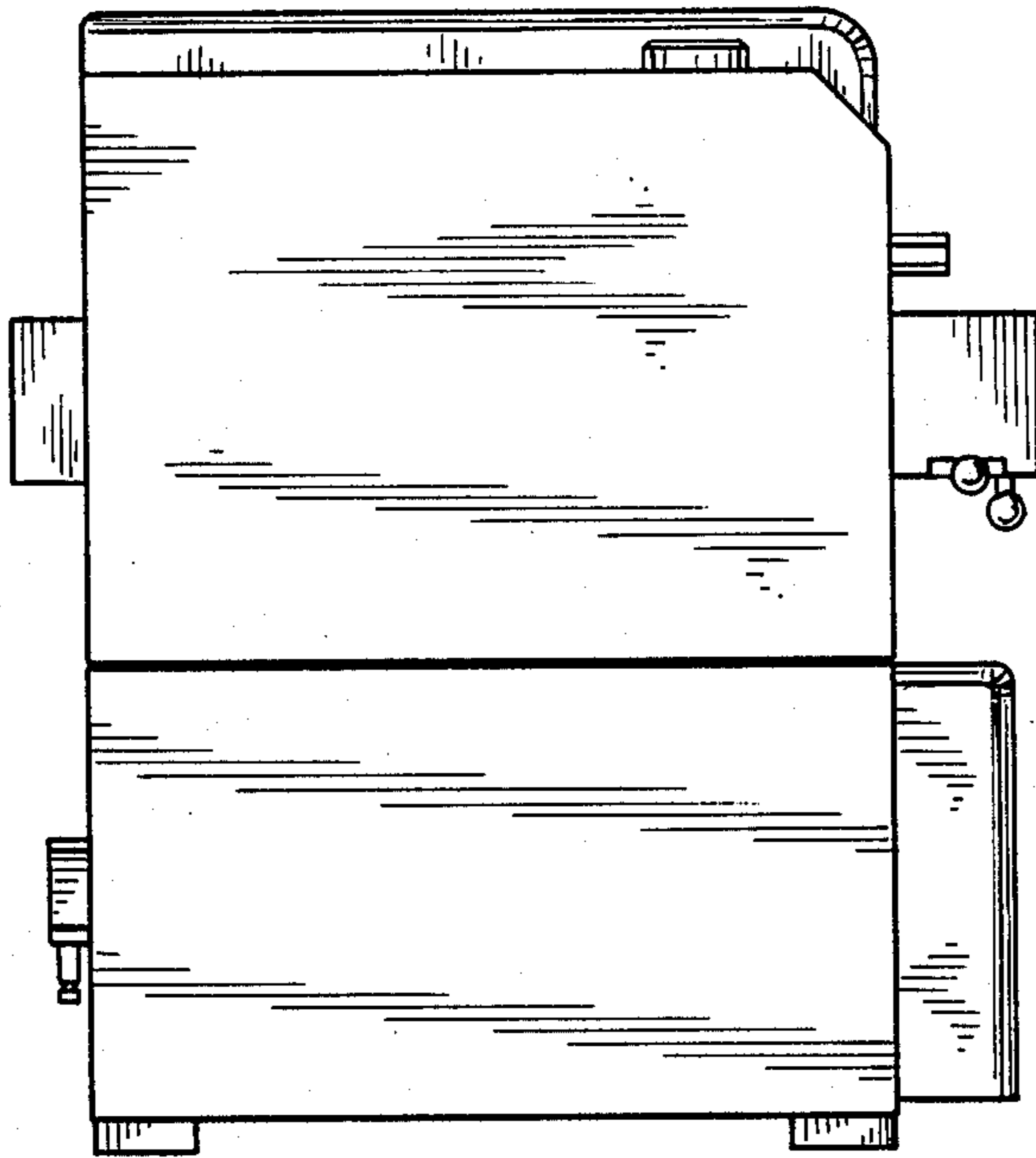


FIG. 3

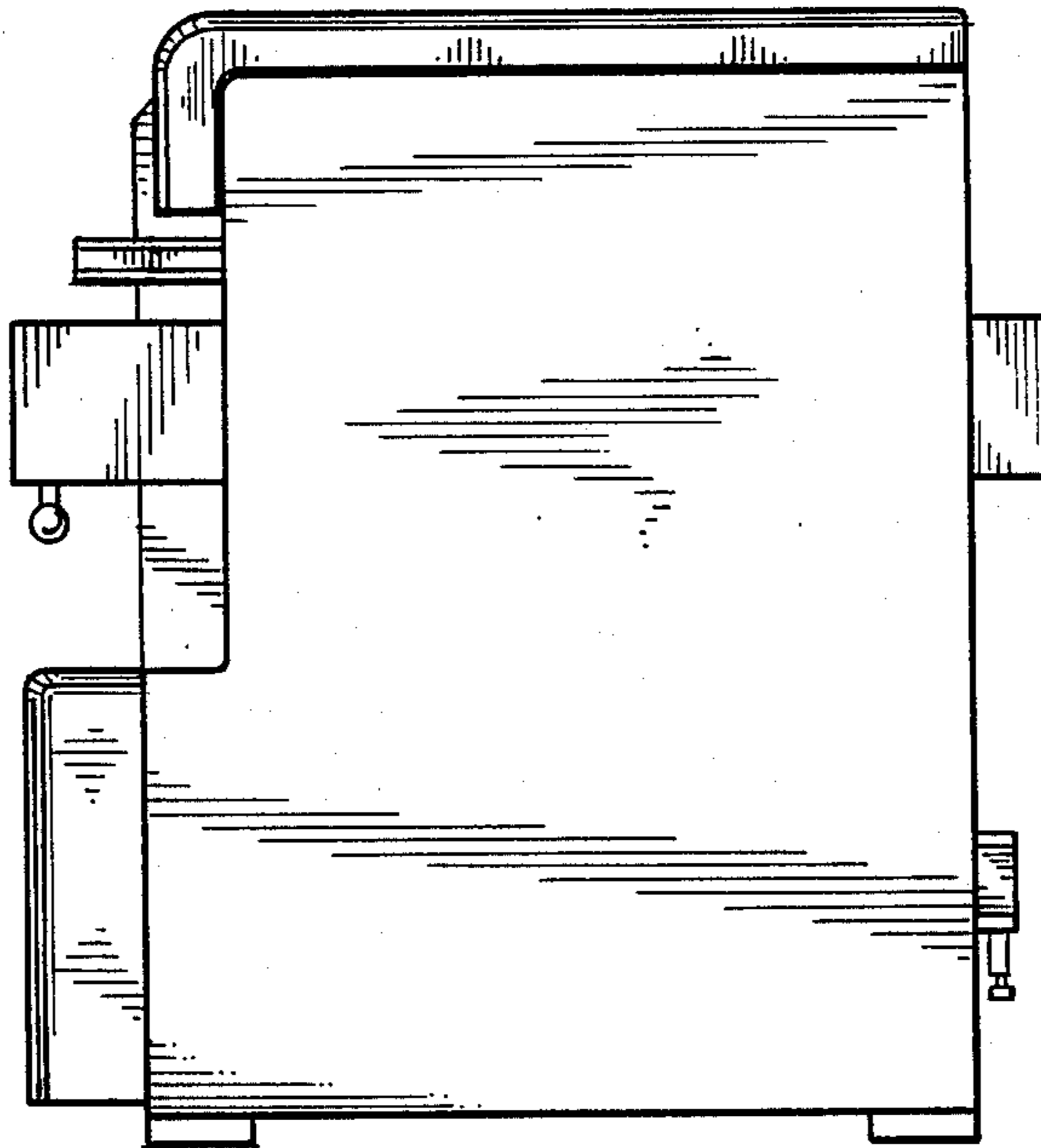


FIG. 4

FIG. 5

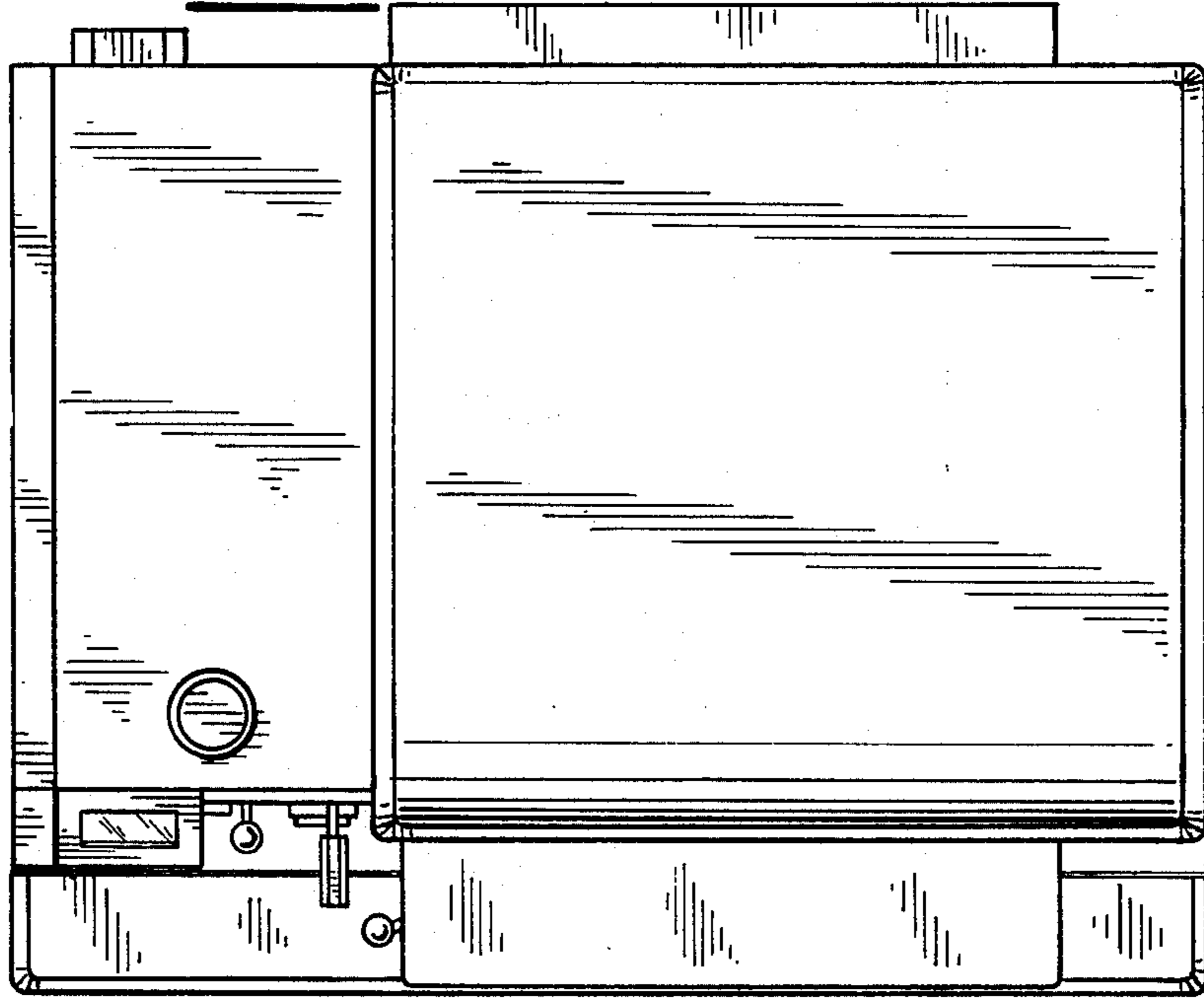


FIG. 6

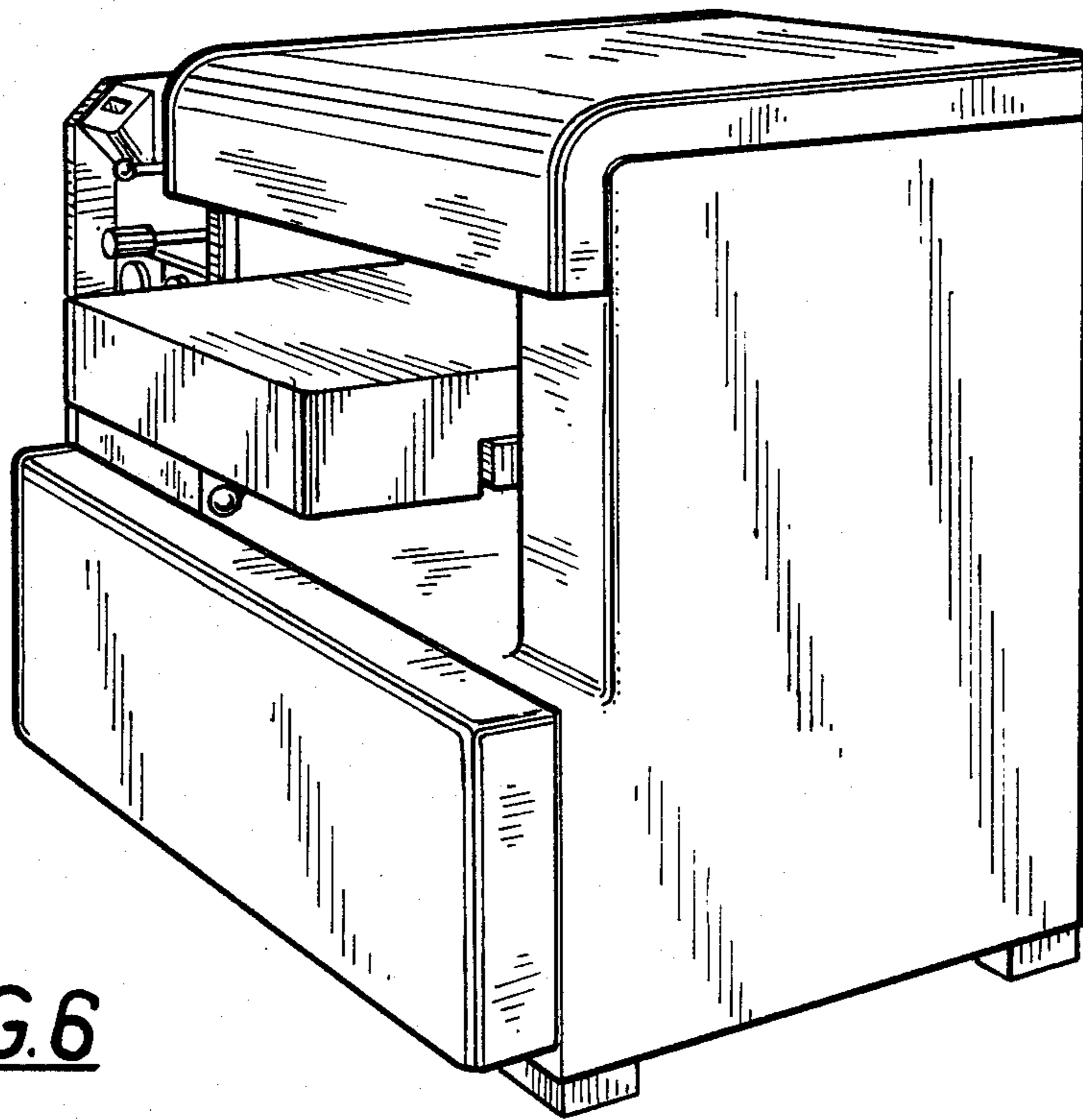


FIG. 7

