

[54] **FRONT COVER FOR A MICROPHONE**

[75] **Inventor: Jeffrey T. Mauch, Cincinnati, Ohio**

[73] **Assignee: General Electric Company,
Lynchburg, Va.**

[**] **Term: 14 Years**

[21] **Appl. No.: 900,036**

[22] **Filed: Aug. 25, 1986**

[52] **U.S. Cl. D14/225**

[58] **Field of Search D14/12, 13, 30, 36,
D14/99, 68, 95; 381/91, 122, 155, 158, 168, 169**

[56] **References Cited**

U.S. PATENT DOCUMENTS

D. 234,957	4/1975	Huntington et al.	D26/14 J
D. 244,780	6/1977	Kobayashi	D14/12
D. 258,879	4/1981	Eaton et al.	D14/12
D. 264,335	5/1982	Huntington	D14/12

OTHER PUBLICATIONS

Crutchfield Fall 1979 catalog, p. 70—Motorola CB-40, Model 4002.

C. Q. The Radio Amateur's Journal, Aug. 1984, p. 67—left center, FT-230R.

Primary Examiner—Bernard Ansher
Assistant Examiner—Theodore M. Shooman
Attorney, Agent, or Firm—Nixon & Vanderhye

[57] **CLAIM**

The ornamental design for a front cover for a microphone, as shown and described.

DESCRIPTION

FIG. 1 is a front, bottom and left side perspective view of a front cover for a microphone showing my new design;

FIG. 2 is a top plan view thereof;

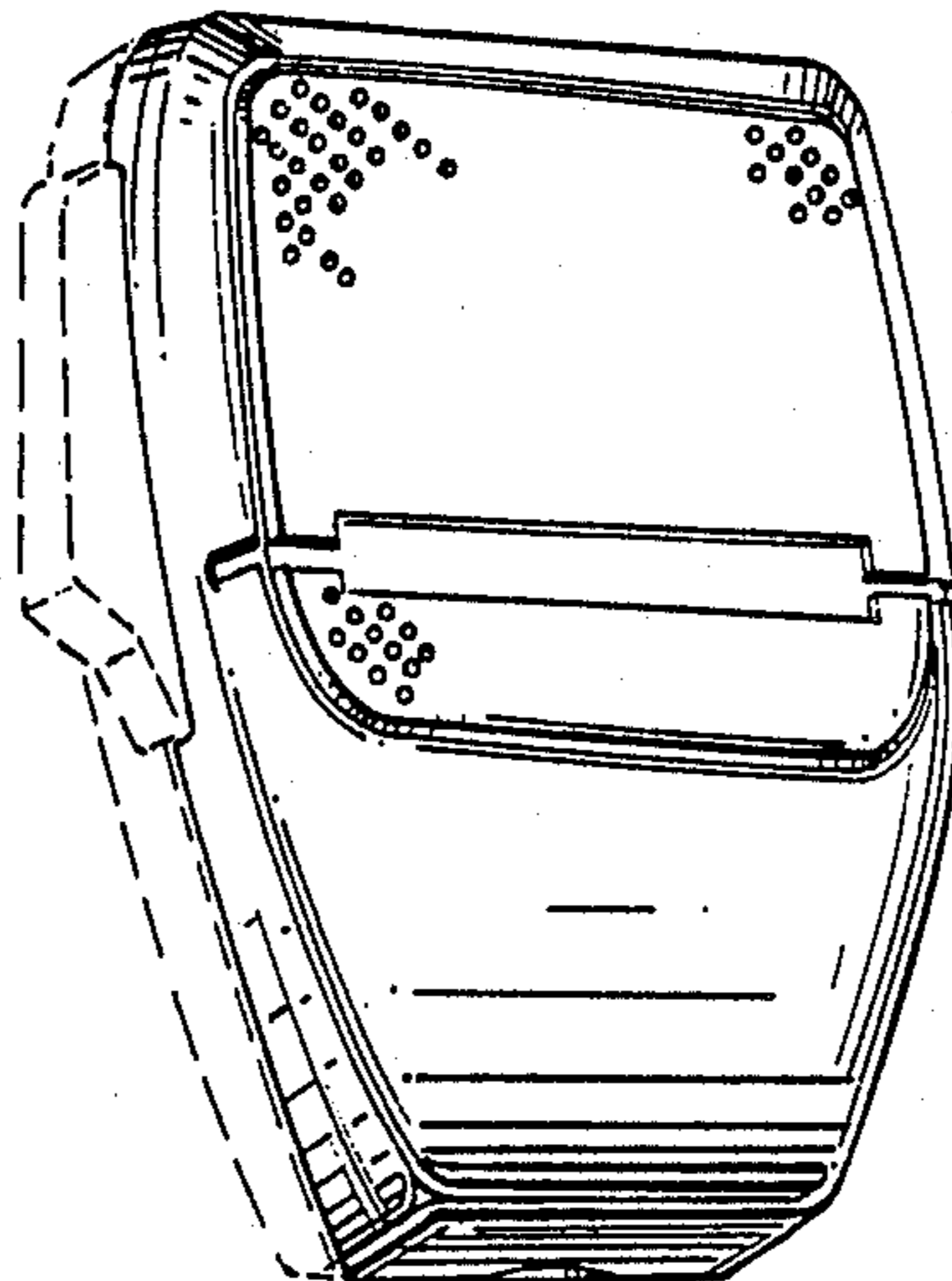
FIG. 3 is a front elevational view thereof;

FIG. 4 is a bottom plan view thereof;

FIG. 5 is a left side elevational view thereof; and

FIG. 6 is a right side elevational view thereof.

The broken line showing of the rear portion of the microphone is for illustrative purposes only and forms no part of the claimed design.



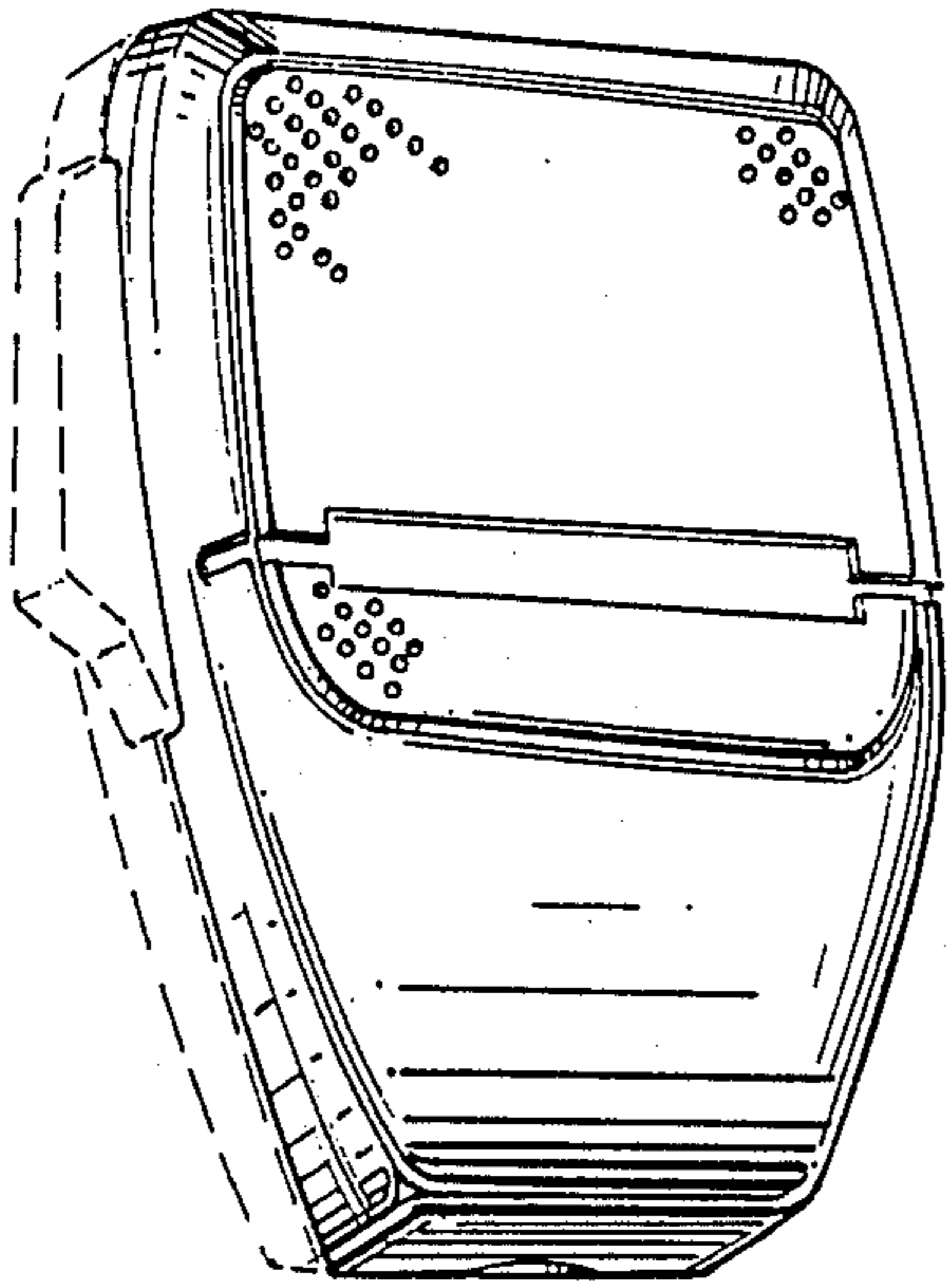


FIG. 1

FIG. 2

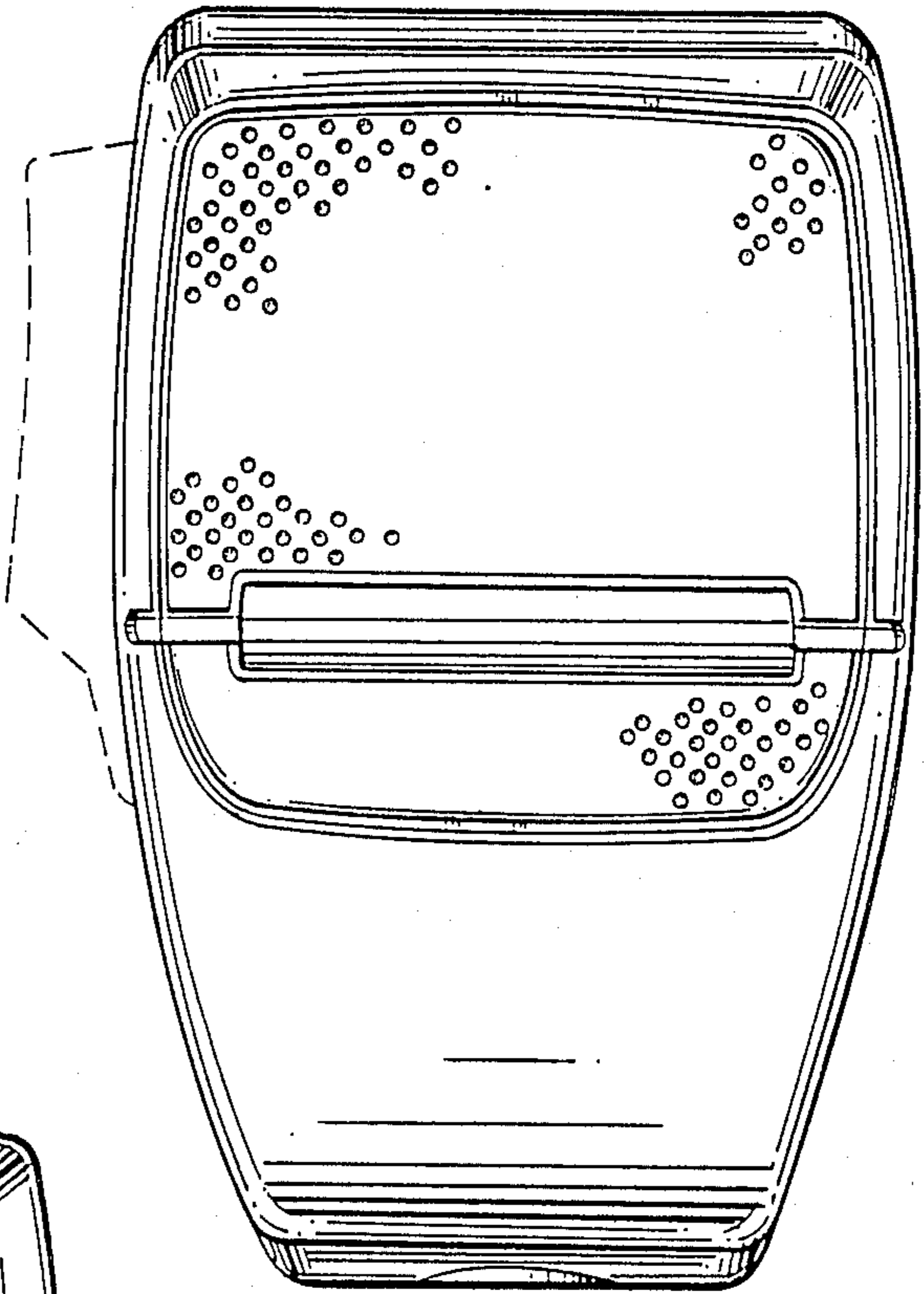
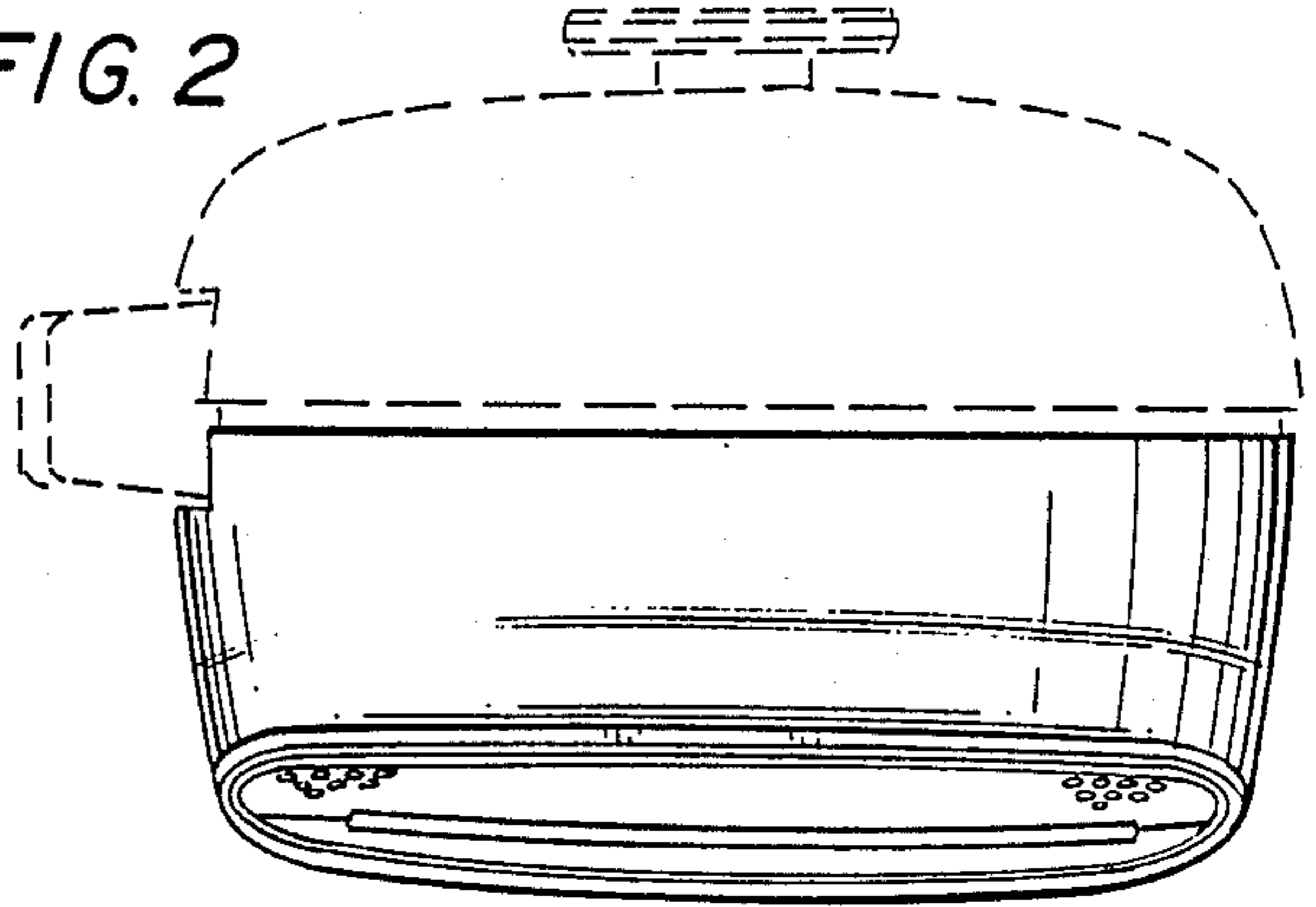


FIG. 3

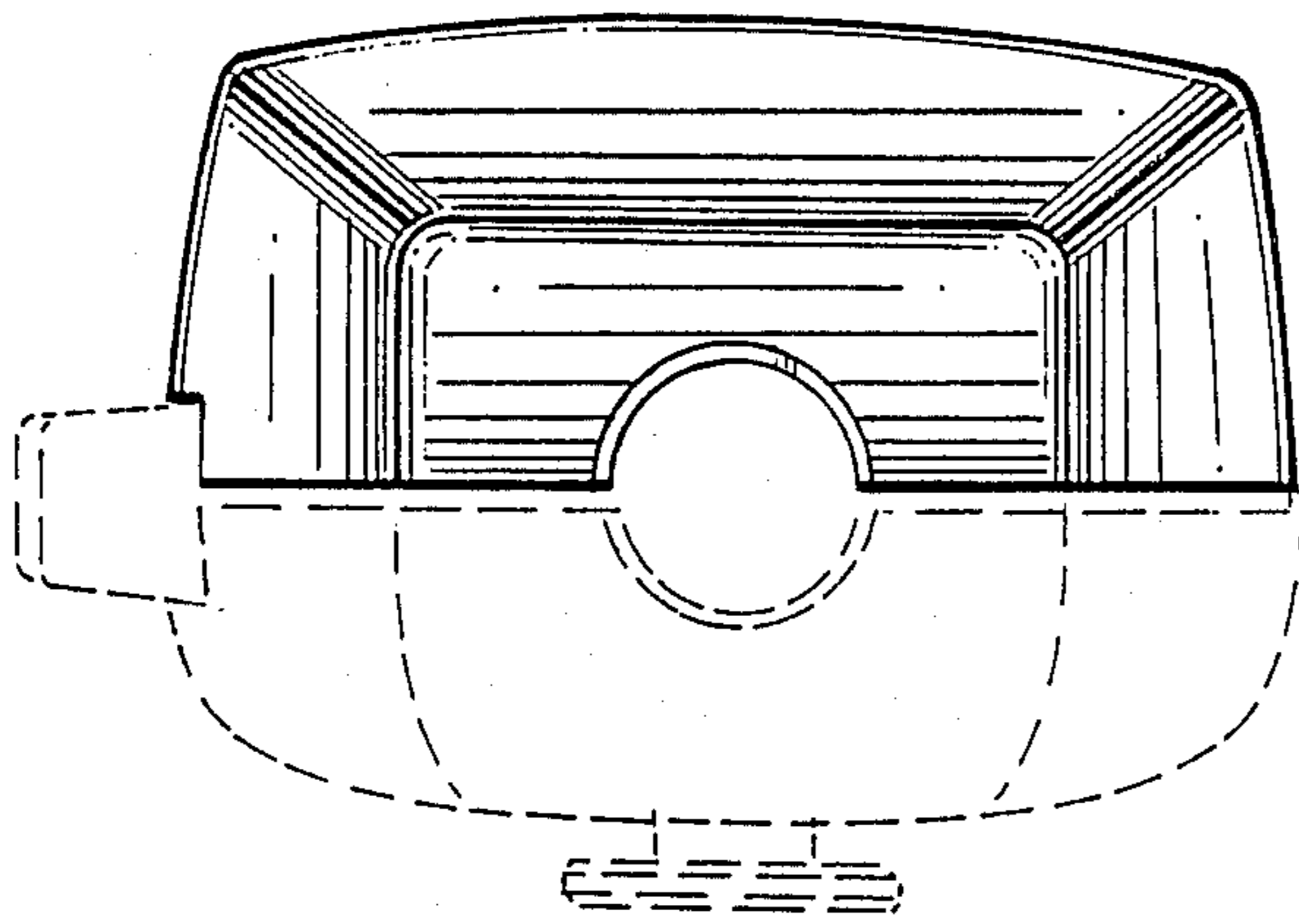


FIG. 4

FIG. 5

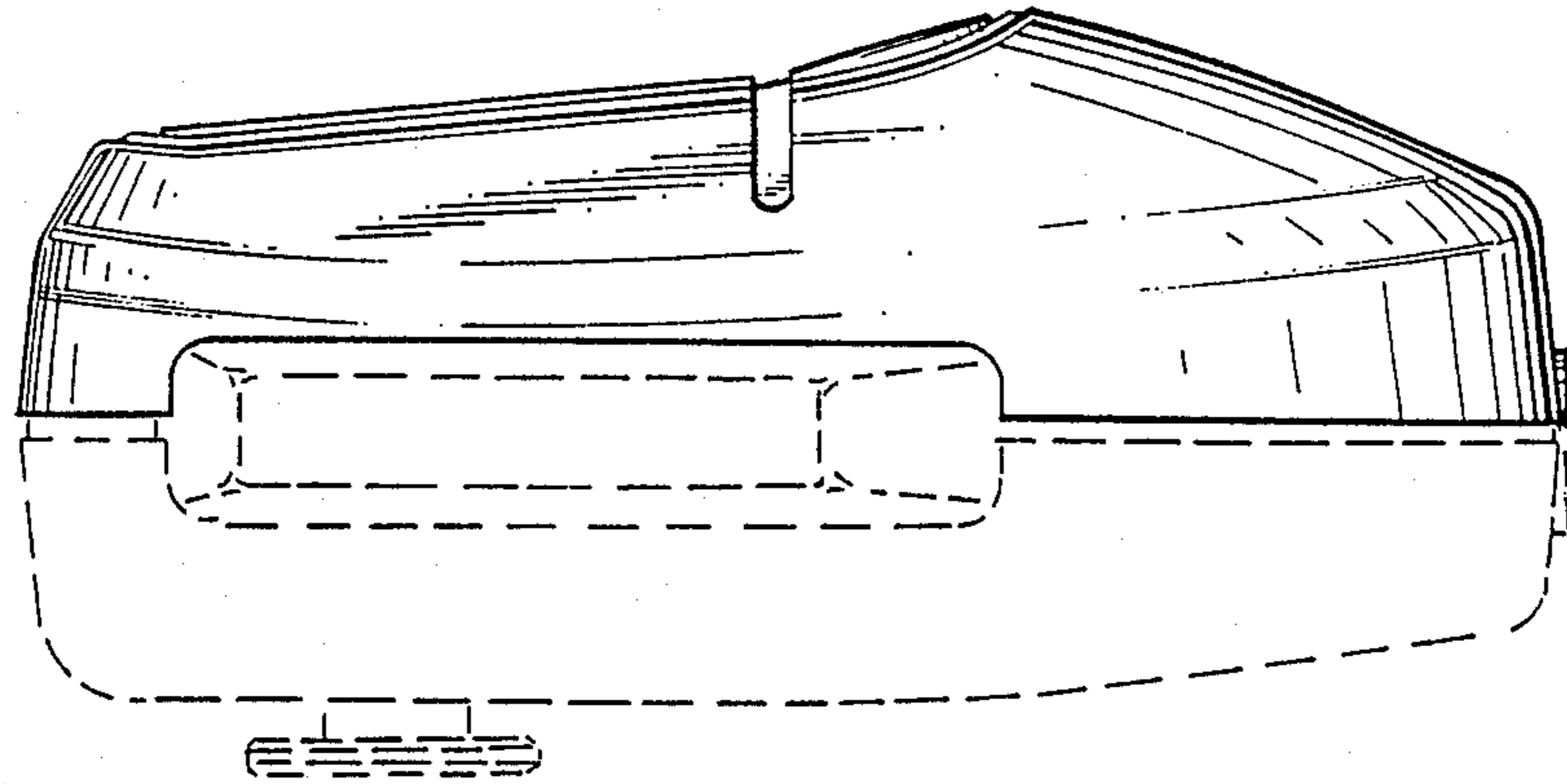


FIG. 6

