

[54] NETWORK INTERFACE ENCLOSURE

[75] Inventors: Thomas J. Collins, Wall; Donald C. Stier, Brick; Thomas G. Graham, Ocean; Pina Schneider, Ocean Township, Monmouth County, all of N.J.

[73] Assignee: Keptel, Inc., Tinton Falls, N.J.

[**] Term: 14 Years

[21] Appl. No.: 908,172

[22] Filed: Sep. 17, 1986

[52] U.S. Cl. D13/31

[58] Field of Search D13/11, 12, 18-31, D13/40; 439/135, 136, 138; 174/67, 65 G; 361/331, 334, 357; 220/241, 242

[56] References Cited

U.S. PATENT DOCUMENTS

D. 211,952	8/1968	Ettinger et al.	D13/11
D. 253,225	10/1979	Petralia et al.	D13/31
3,140,344	7/1964	Slater et al.	174/67
4,058,358	11/1977	Carlisle	220/242
4,456,145	6/1984	Frank	220/242

OTHER PUBLICATIONS

Keptel Inc., brochure for The SNI-2220 Network Interface System.

Lippincott Industries, Inc., brochure, GL-600 Multi-Unit Network Interface Device, 9-1986.

Lippincott Industries, Inc., brochure, GL-700 Multi-Unit Network Interface Device.

Primary Examiner—Bruce W. Dunkins

Assistant Examiner—Clare E. Heflin

Attorney, Agent, or Firm—R. Gale Rhodes, Jr.

[57] CLAIM

The ornamental design for a network interface enclosure, as shown and described.

DESCRIPTION

FIG. 1 is a front perspective view of a network interface enclosure showing our new design with the doors shown in the closed position.

FIG. 2 is a front elevational view thereof;

FIG. 3 is a top plan view thereof;

FIG. 4 is a bottom plan view thereof;

FIG. 5 is a rear elevational view thereof;

FIG. 6 is a right side elevational view thereof;

FIG. 7 is a left side elevational view thereof; and

FIG. 8 is a fragmentary front elevational view thereof showing one of the doors in the open position.

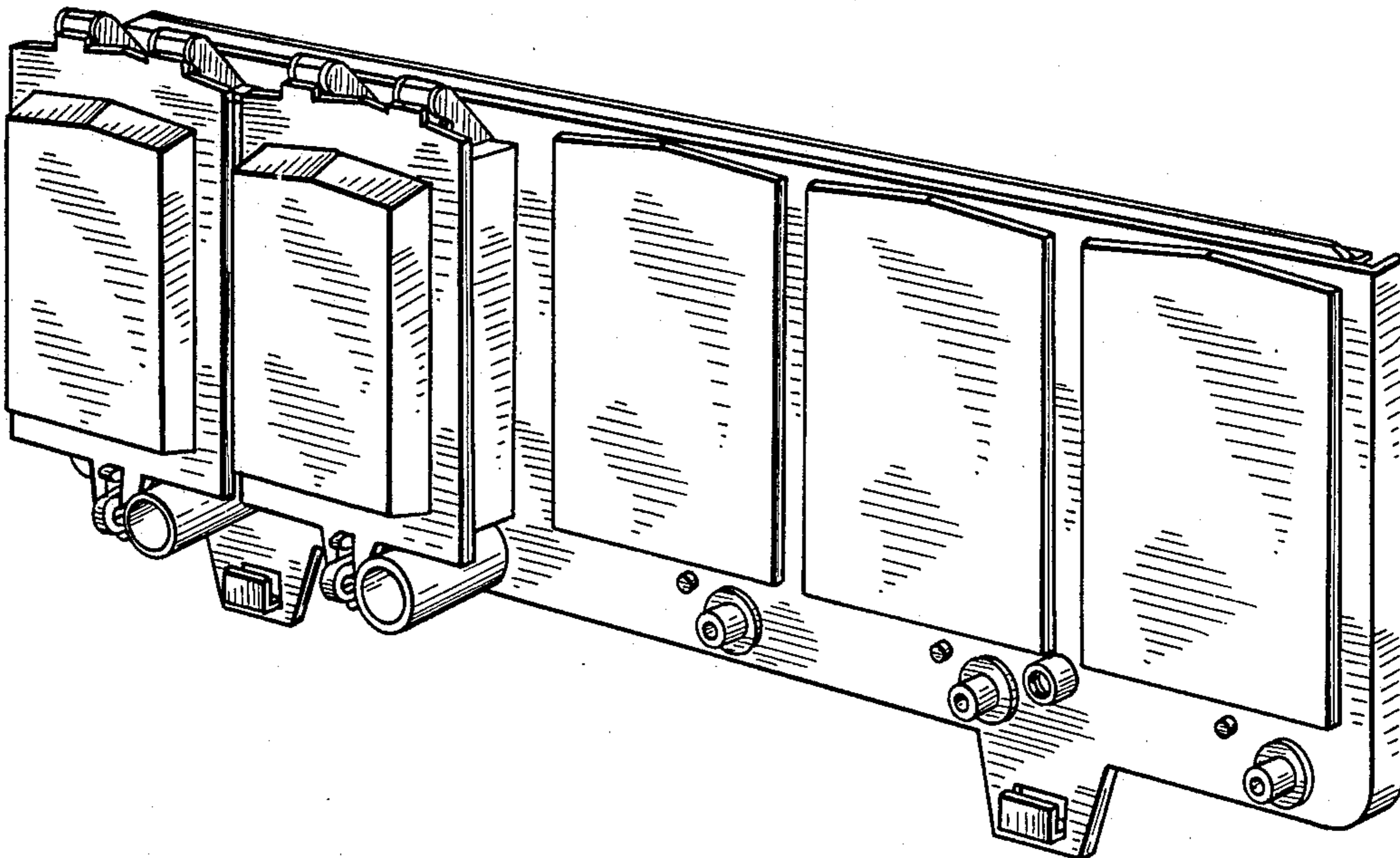
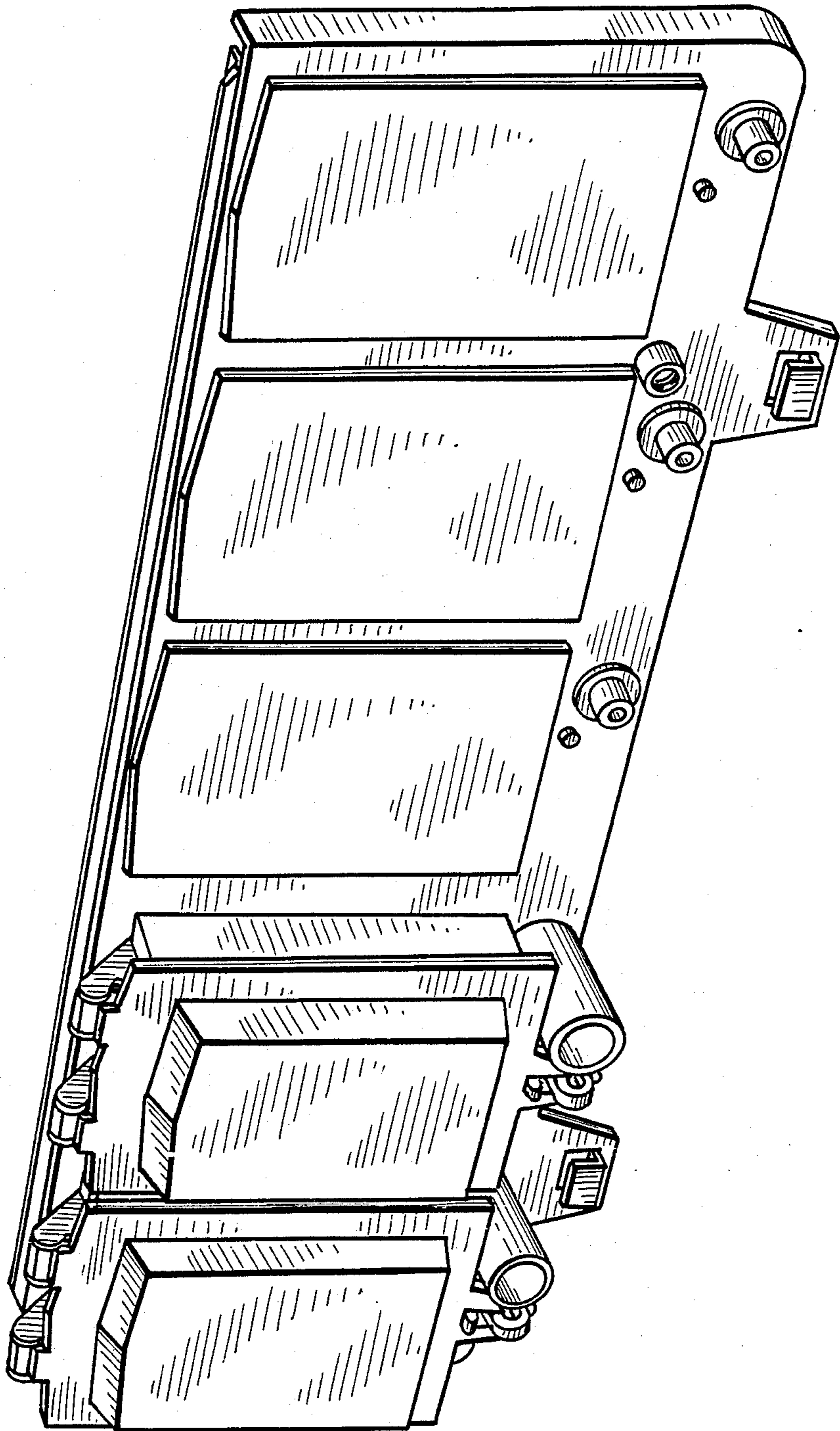


FIG. 1



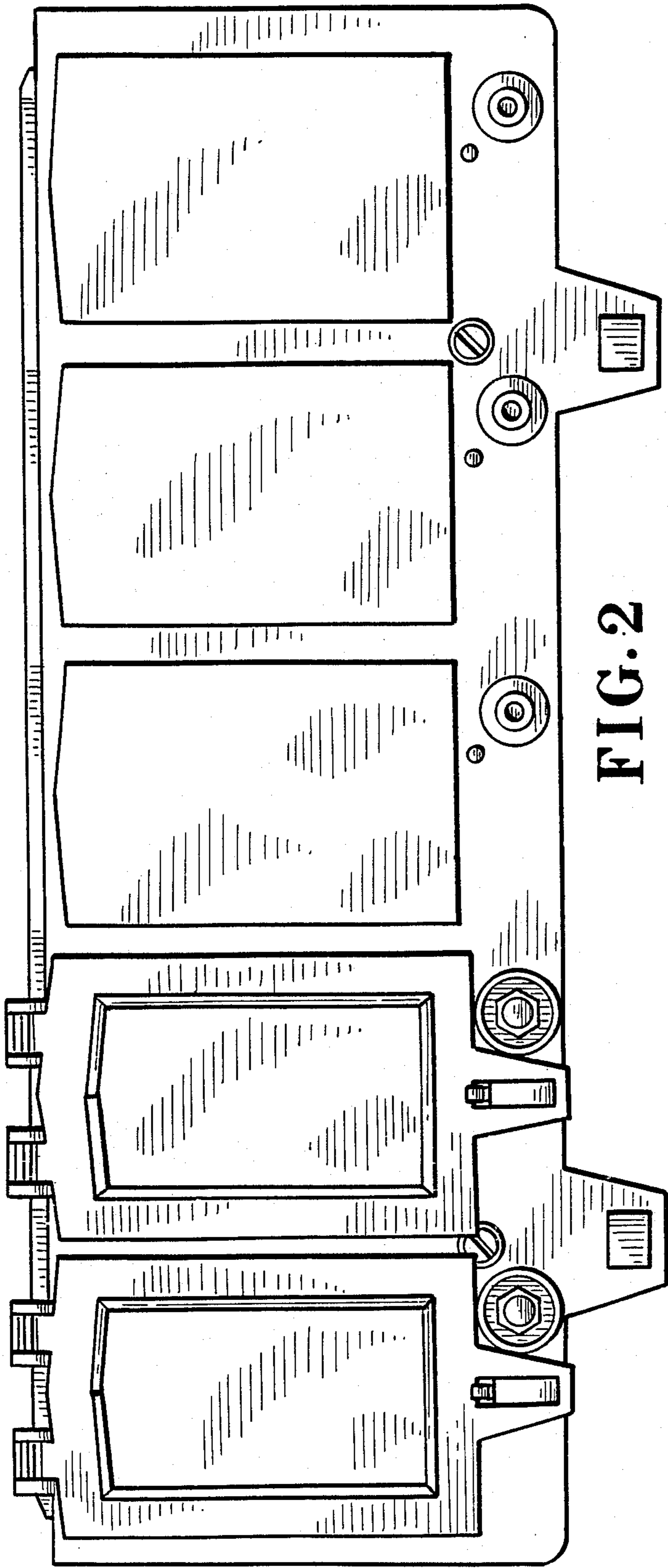


FIG. 2

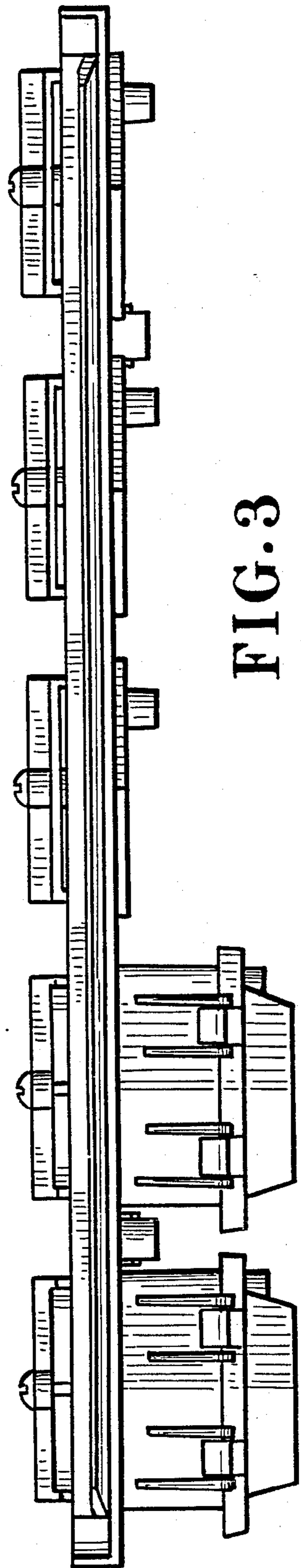


FIG. 3

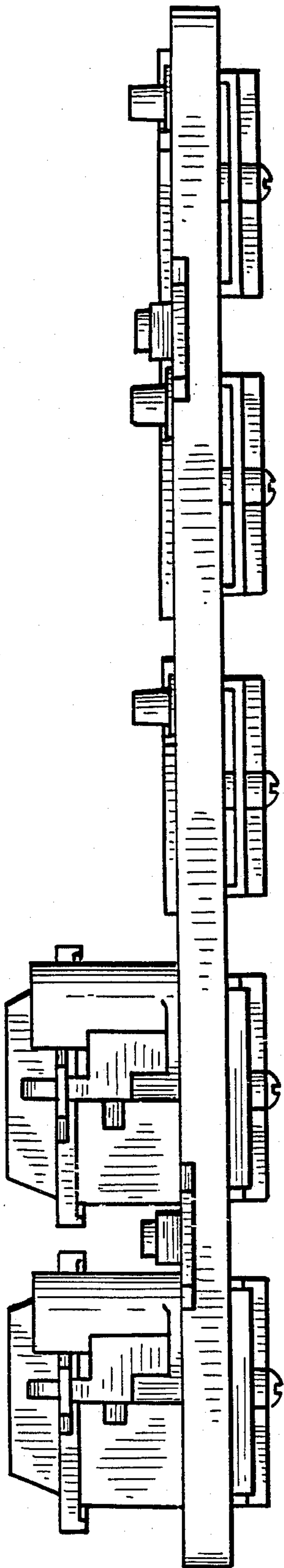


FIG. 4

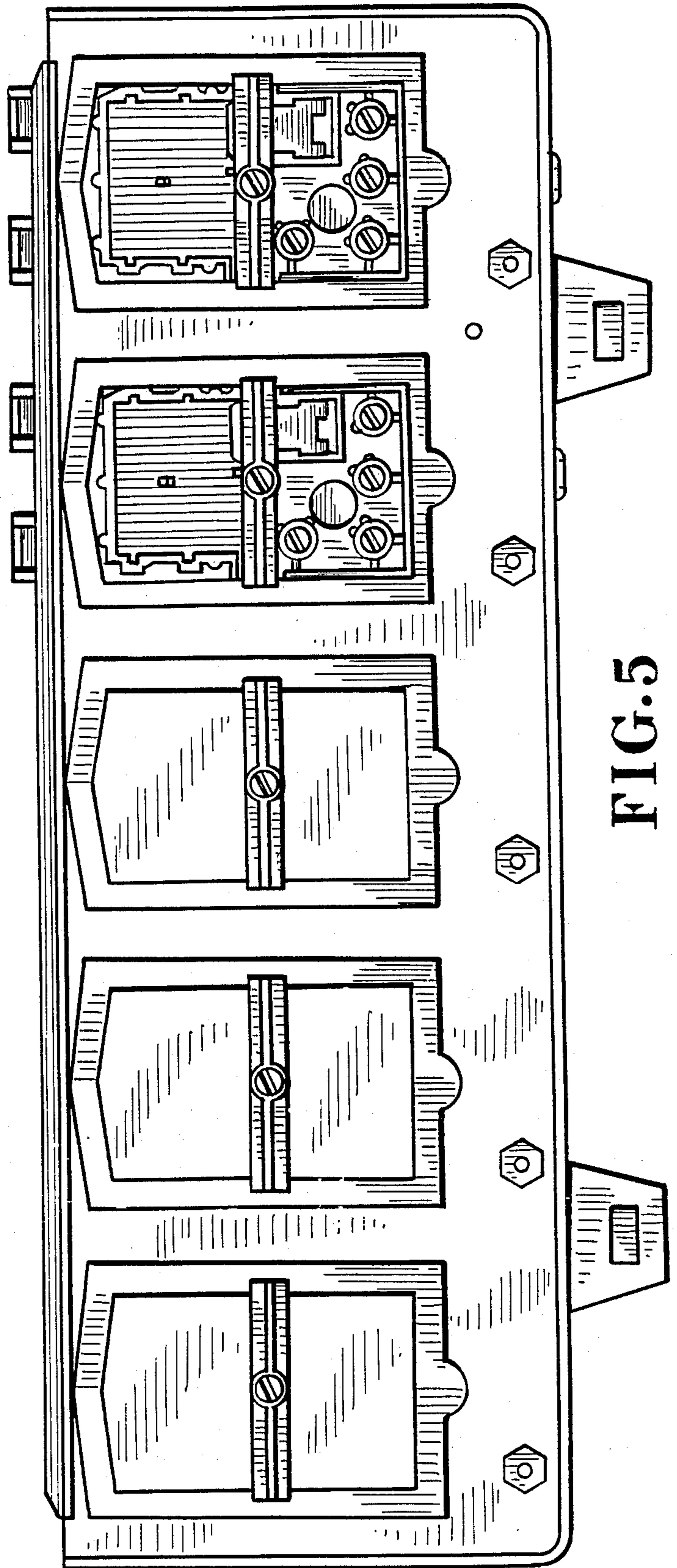


FIG. 5

FIG. 6

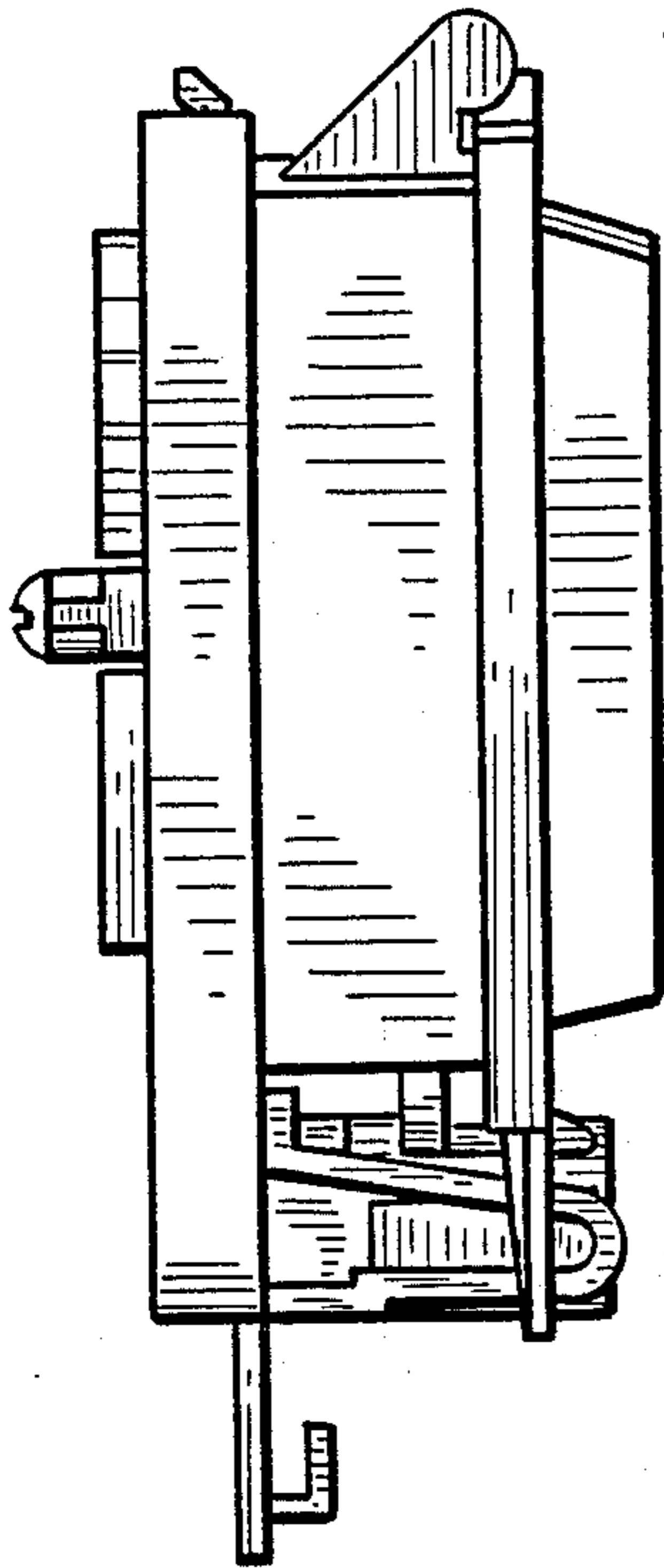


FIG. 8

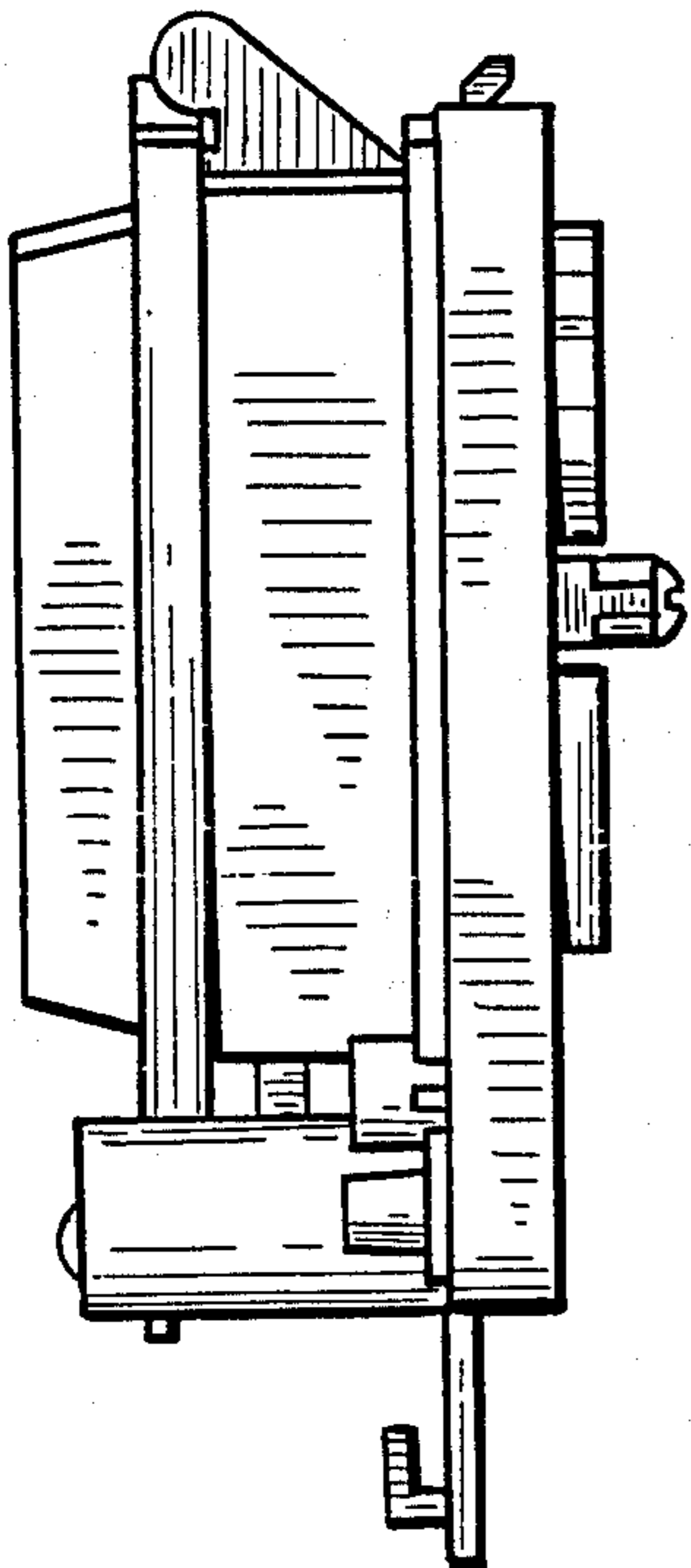
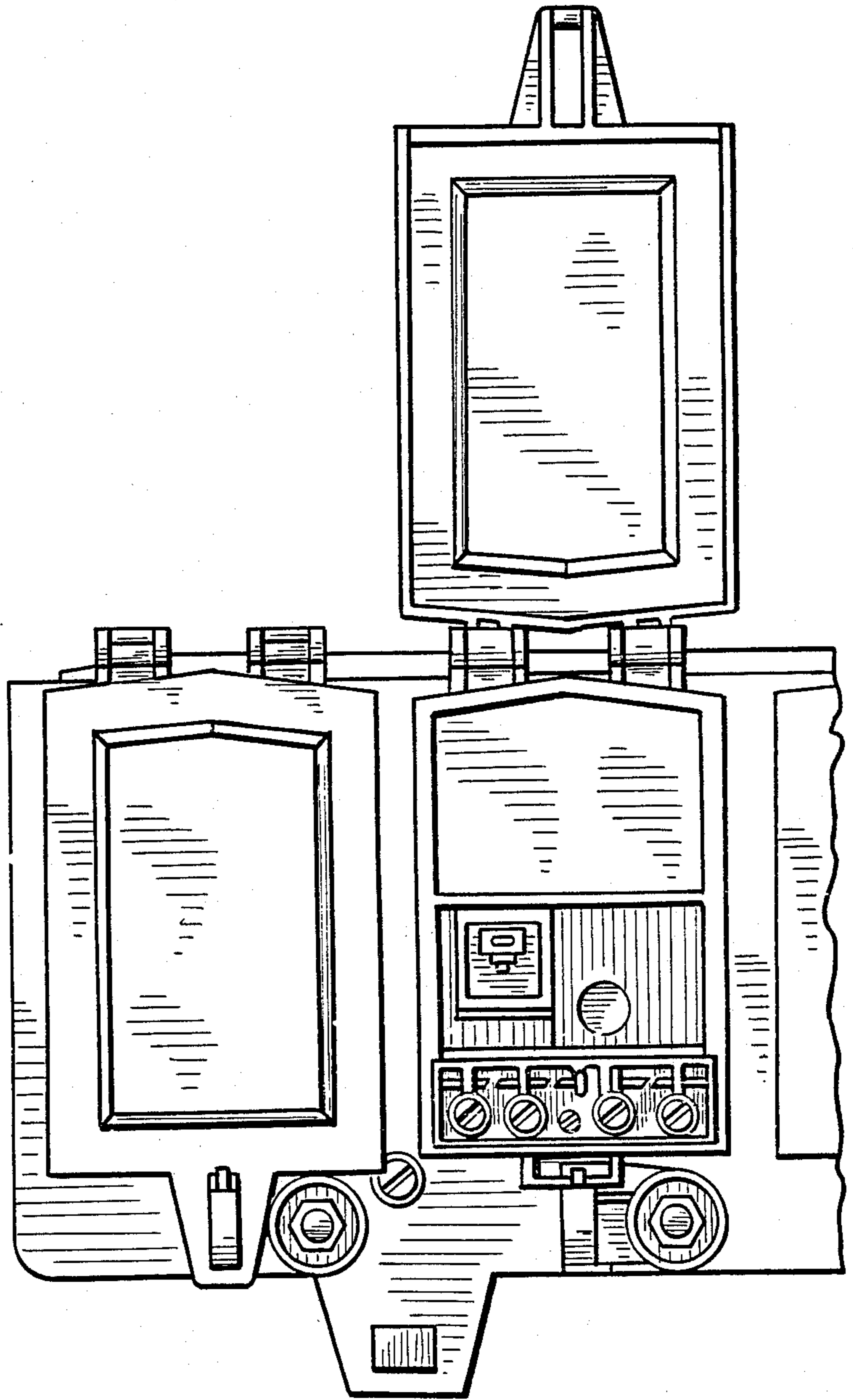


FIG. 7