

[54] **ELECTRICAL CONNECTOR HANDLE**

[75] **Inventor: Joseph E. Tetreault, Norwell, Mass.**

[73] **Assignee: High Voltage Engineering Corporation, Burlington, Mass.**

[**] **Term: 14 Years**

[21] **Appl. No.: 779,706**

[22] **Filed: Sep. 24, 1985**

[52] **U.S. Cl. D13/24**

[58] **Field of Search D13/24, 28; 439/103, 439/353, 358, 470, 476**

[56] **References Cited**

U.S. PATENT DOCUMENTS

D. 239,176 3/1976 Wilson et al. D13/24
D. 292,395 10/1987 Waters et al. D13/28

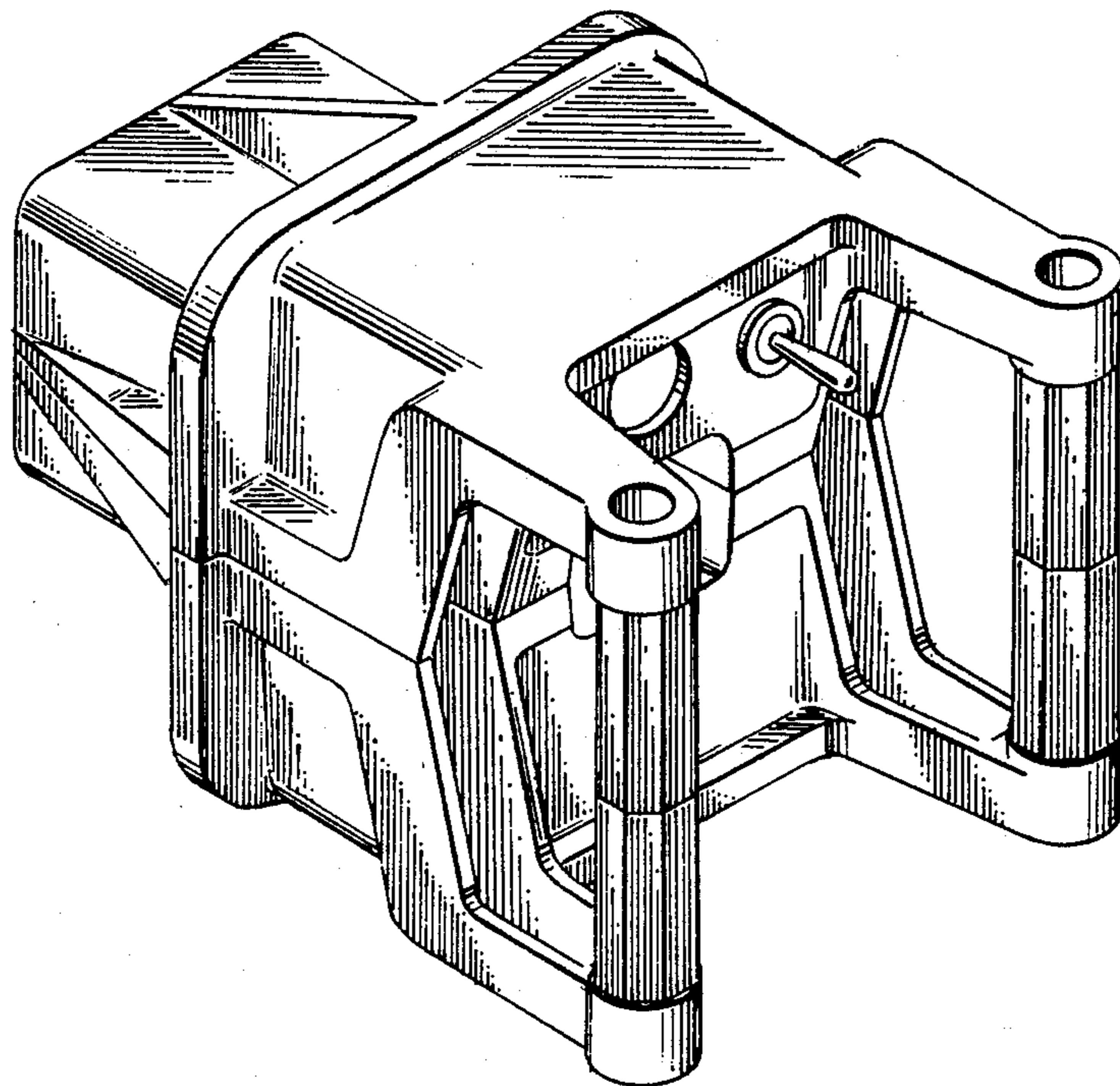
Primary Examiner—James M. Gandy
Attorney, Agent, or Firm—Richard J. Birch

[57] **CLAIM**

The ornamental design for an electrical connector handle, as shown and described.

DESCRIPTION

FIG. 1 is a top right, front side perspective view of an electrical connector handle showing my new design; FIG. 2 is a top left, rear side perspective view thereof; FIG. 3 is an enlarged bottom plan view thereof; FIG. 4 is an enlarged front elevation view thereof; and, FIG. 5 is an enlarged rear elevation view thereof.



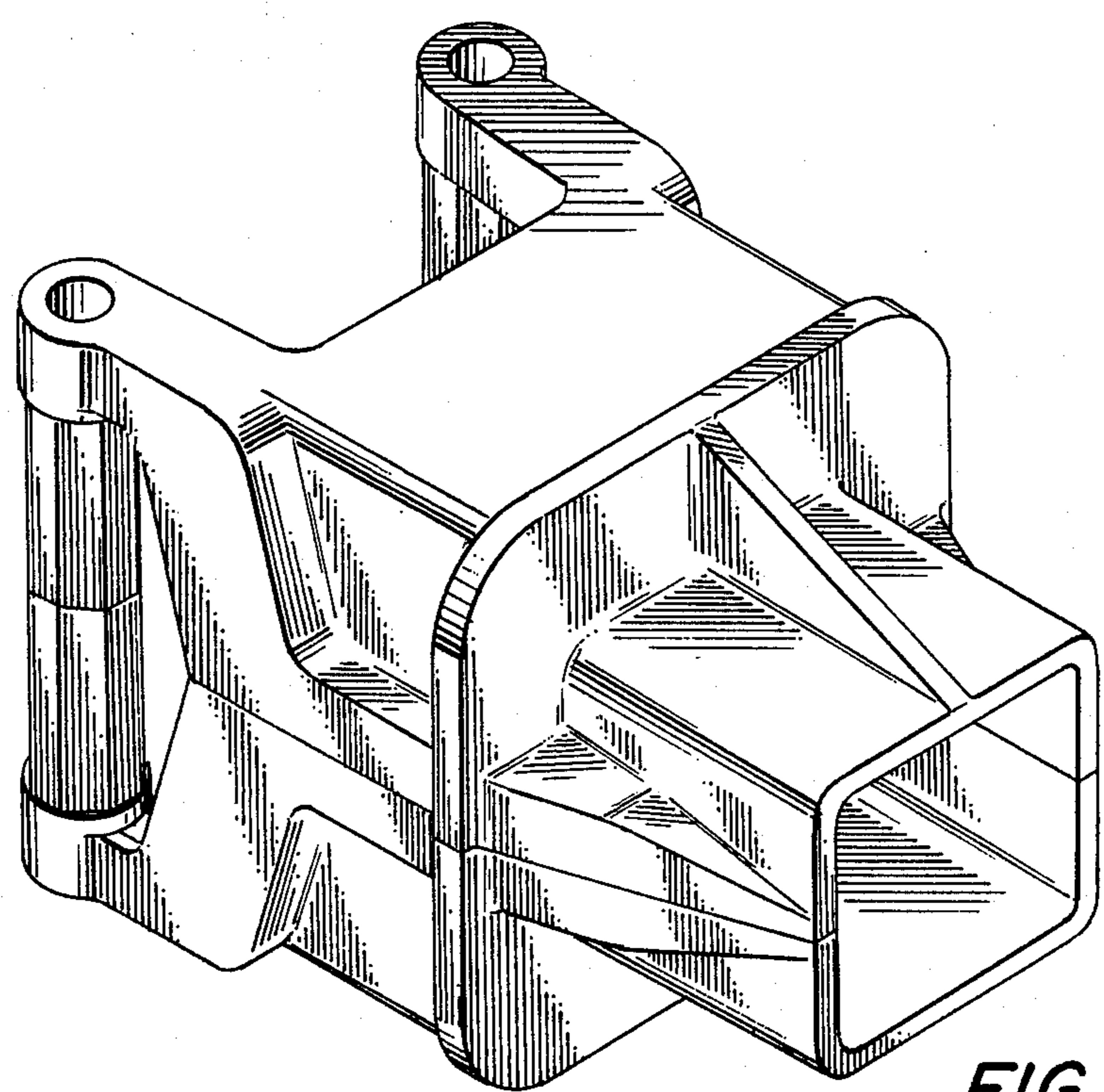


FIG. 1

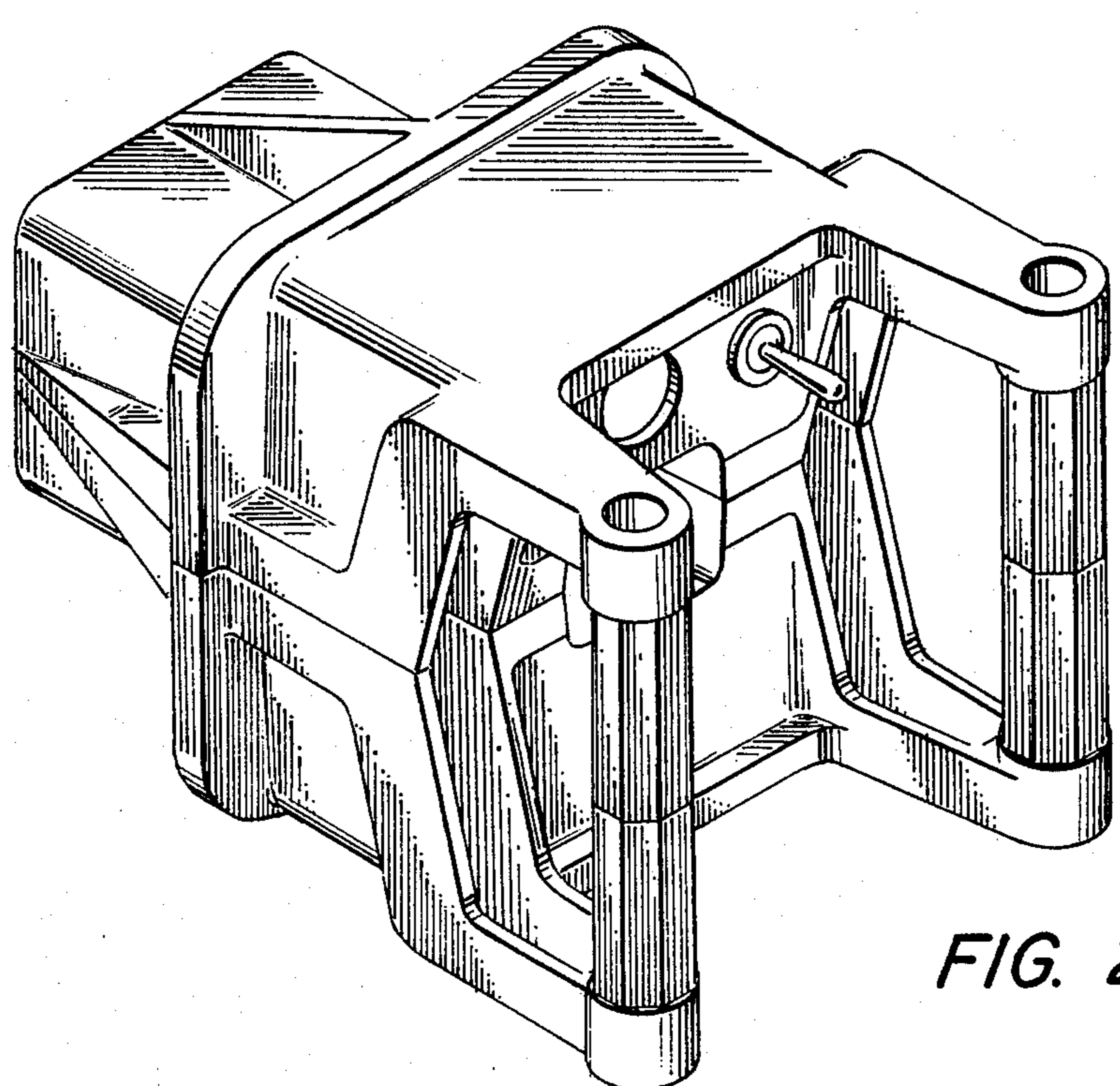


FIG. 2

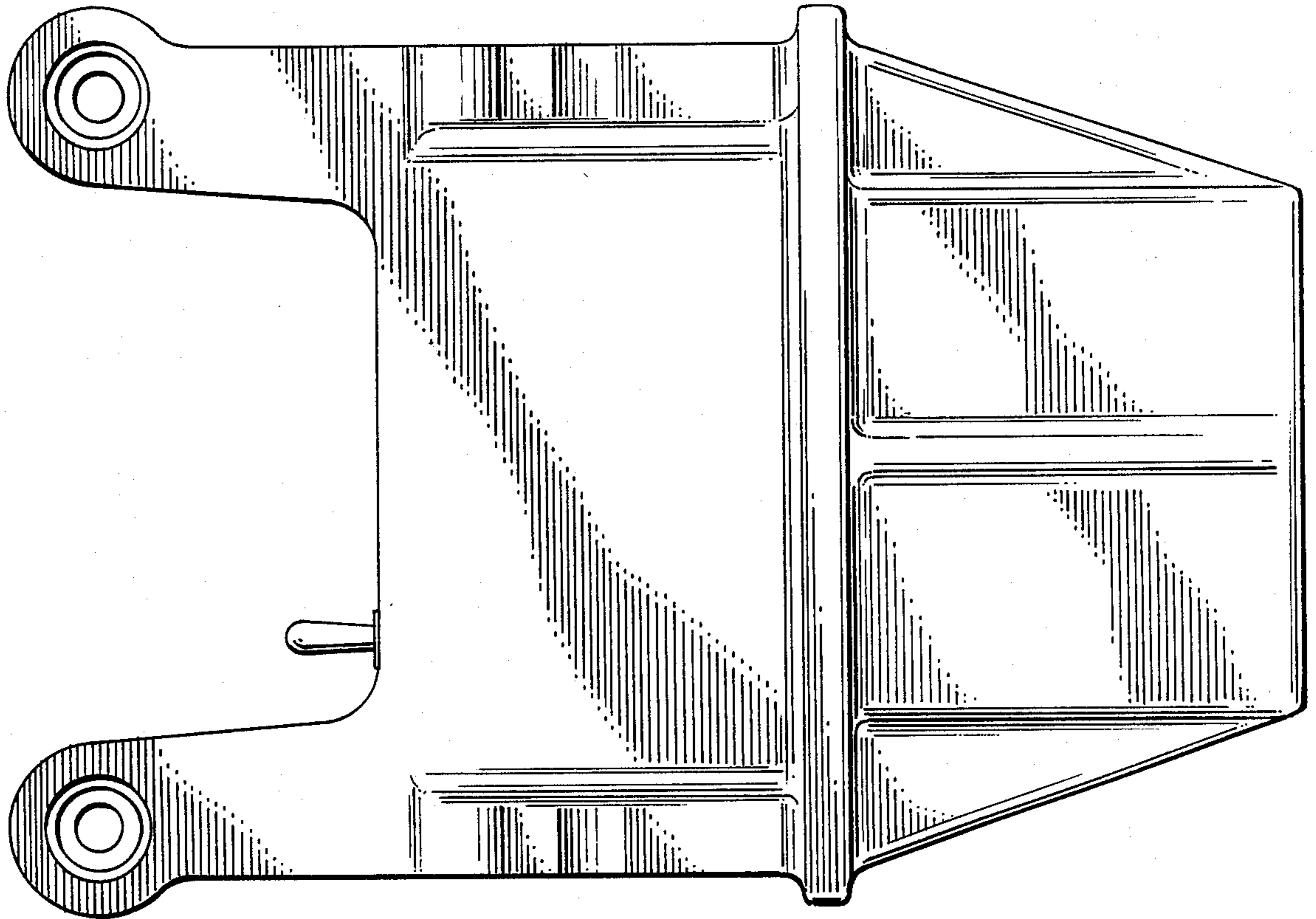


FIG. 3

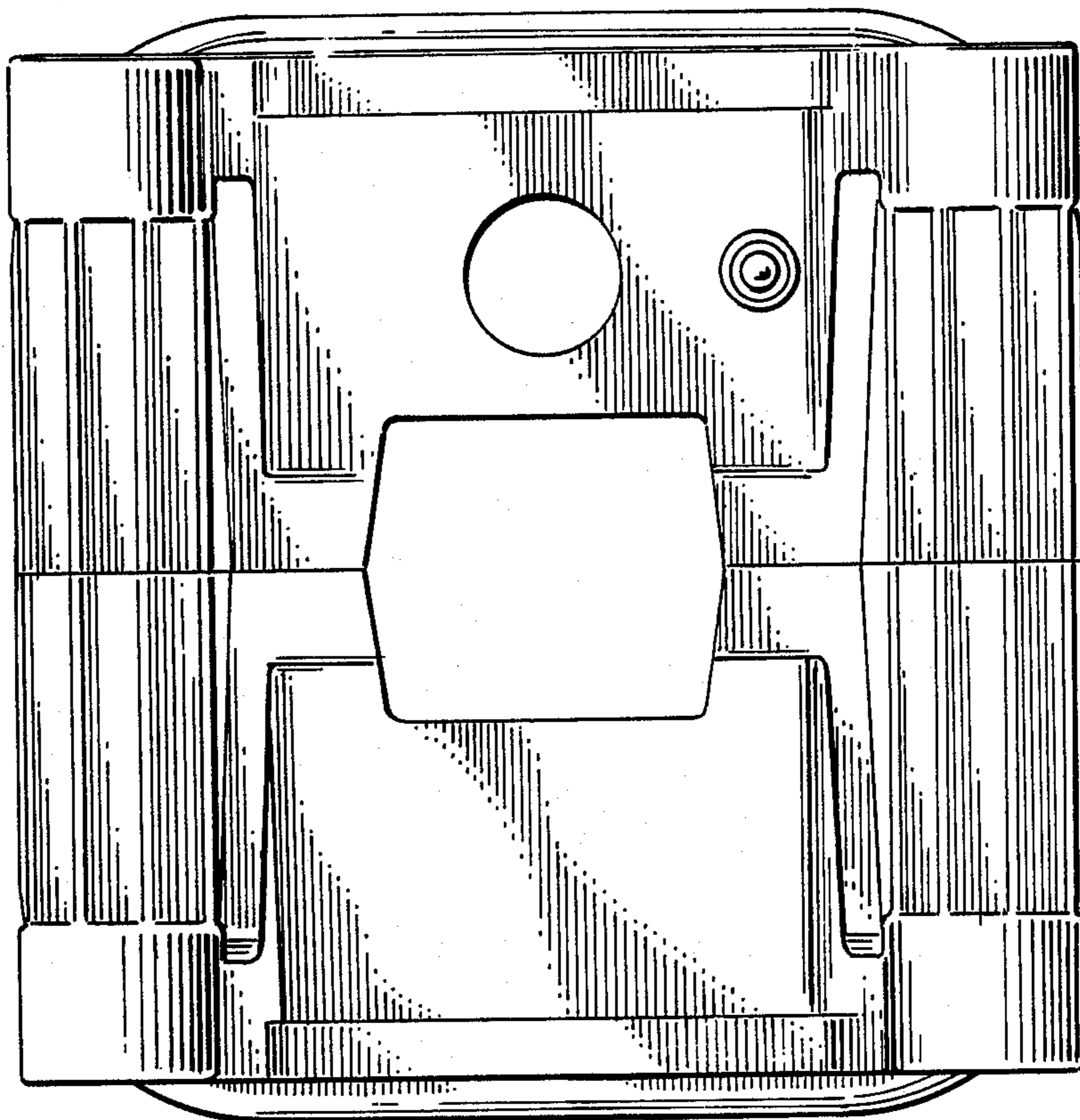


FIG. 5

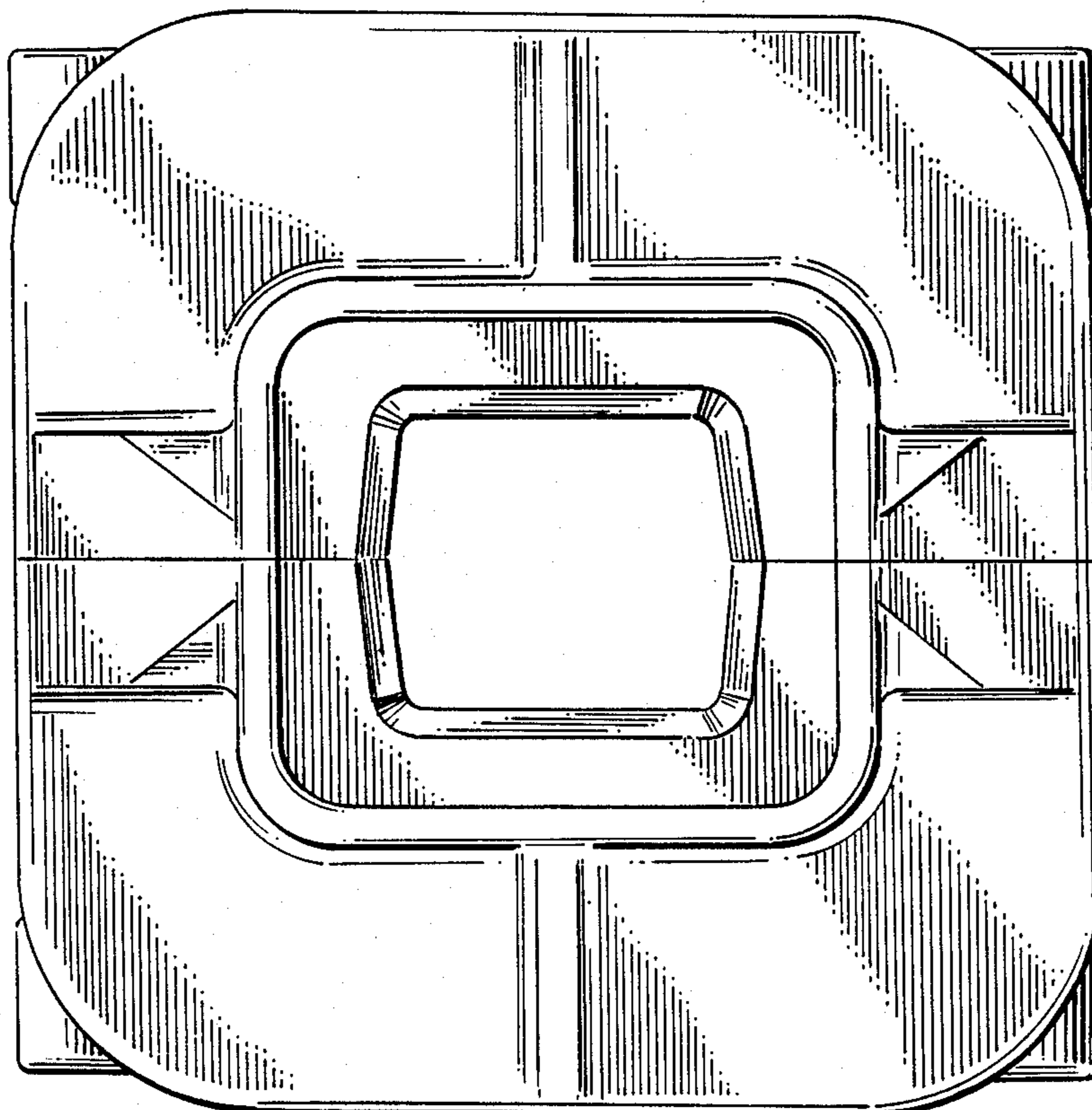


FIG. 4