

[54] BATTERY PACK FOR USE WITH PORTABLE POWER TOOLS OR THE LIKE

[75] Inventor: Martin P. Gierke, St. Michaels, Md.

[73] Assignee: Black & Decker Inc., Towson, Md.

[**] Term: 14 Years

[21] Appl. No.: 859,883

[22] Filed: May 6, 1986

[52] U.S. Cl. D13/8; D13/4; D13/10

[58] Field of Search D13/4, 5, 8-10; D14/65; D26/39, 40; 429/82, 89, 99, 100, 123, 151, 153, 159, 163, 175-178, 180, 187; 307/150; 310/50; 320/2-5

[56] References Cited

U.S. PATENT DOCUMENTS

2,066,811	1/1937	Wheat	320/2
3,196,049	7/1965	Schilke	429/163
3,329,881	7/1967	Tolmie	310/50
3,963,972	6/1976	Todd	.
4,029,248	6/1977	Lee	429/163
4,081,737	3/1978	Miyahara	320/2
4,300,087	11/1981	Meisner	320/2
4,481,458	11/1984	Lane	320/2

OTHER PUBLICATIONS

Sonotone Batteries catalog, p. 4, two top photos on right of page.
 Design, Jun. 1986, between pp. 66 & 67, "Halford's" battery charger.
 EMF-5 Battery & Charger Operating Instructions, Form 6949, Exide Corp., 10/69.
 Video Review Mag., May 1984, p. 75, VDO-PAK Ad.

Primary Examiner—Bruce W. Dunkins
 Assistant Examiner—Clare E. Heflin
 Attorney, Agent, or Firm—Finnegan, Henderson, Farabow, Garrett & Dunner

[57] CLAIM

The ornamental design for a battery pack for use with portable power tools or the like, as shown and described.

DESCRIPTION

FIG. 1 is a front perspective view of the battery pack for use with portable power tools or the like showing a first embodiment of my new design;
 FIG. 2 is a rear perspective view thereof;
 FIG. 3 is a perspective view thereof showing the straps removed for clarity of disclosure only;
 FIG. 4 is an enlarged front elevational view thereof;
 FIG. 5 is an enlarged rear elevational view thereof;
 FIG. 6 is an enlarged side elevational view thereof;
 FIG. 7 is an enlarged opposite side elevational view thereof;
 FIG. 8 is an enlarged top plan view thereof;
 FIG. 9 is an enlarged bottom plan view thereof;
 FIG. 10 is a front perspective view of the battery pack for use with portable power tools or the like showing a second embodiment of my new design;
 FIG. 11 is a rear perspective view thereof;
 FIG. 12 is a perspective view thereof showing the straps removed for clarity of disclosure only;
 FIG. 13 is an enlarged rear elevational view thereof;
 FIG. 14 is an enlarged front elevational view thereof;
 FIG. 15 is an enlarged side elevational view thereof;
 FIG. 16 is an enlarged opposite side elevational view thereof;
 FIG. 17 is an enlarged top plan view thereof; and
 FIG. 18 is an enlarged bottom plan view thereof.

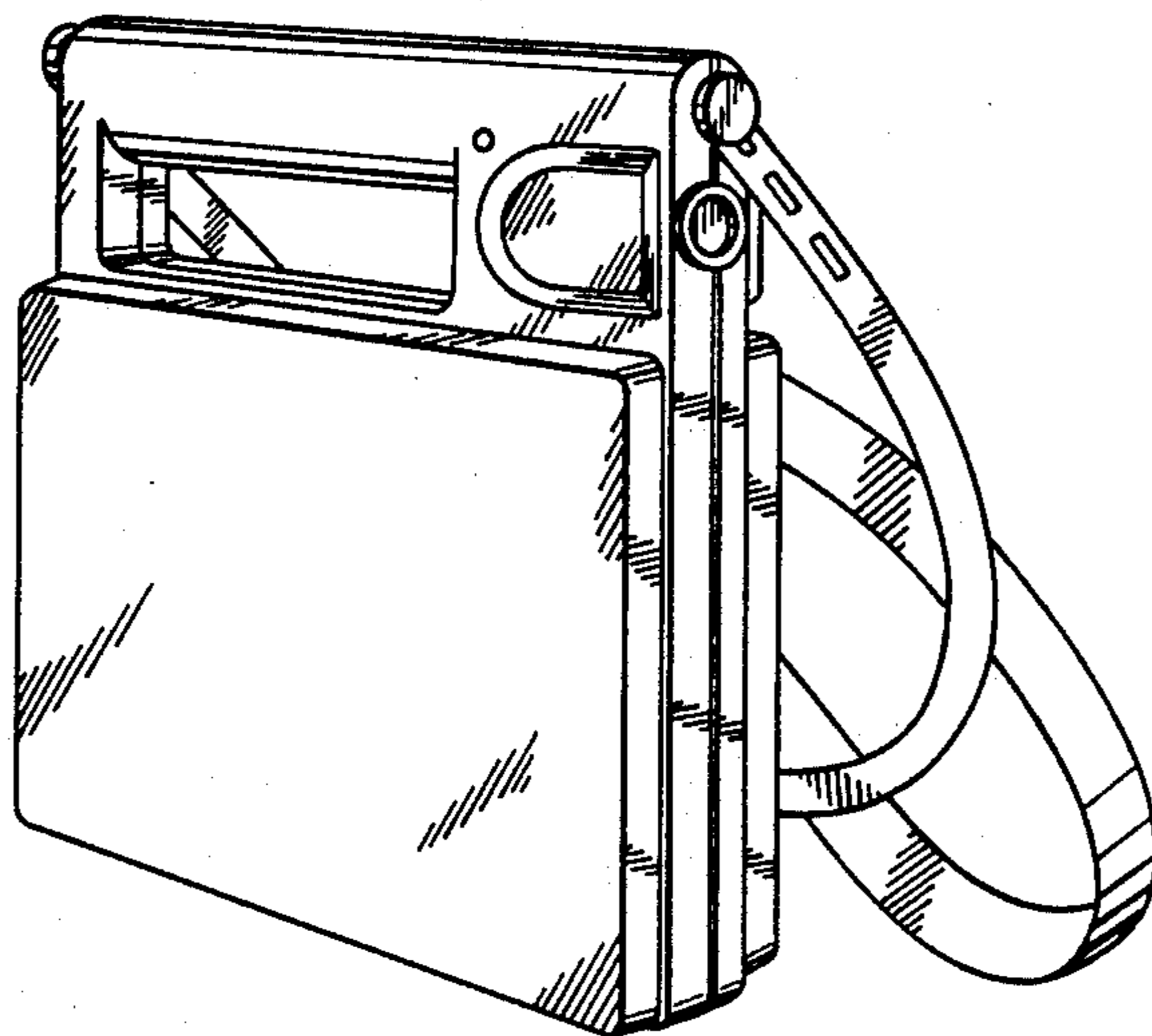


FIG. 1.

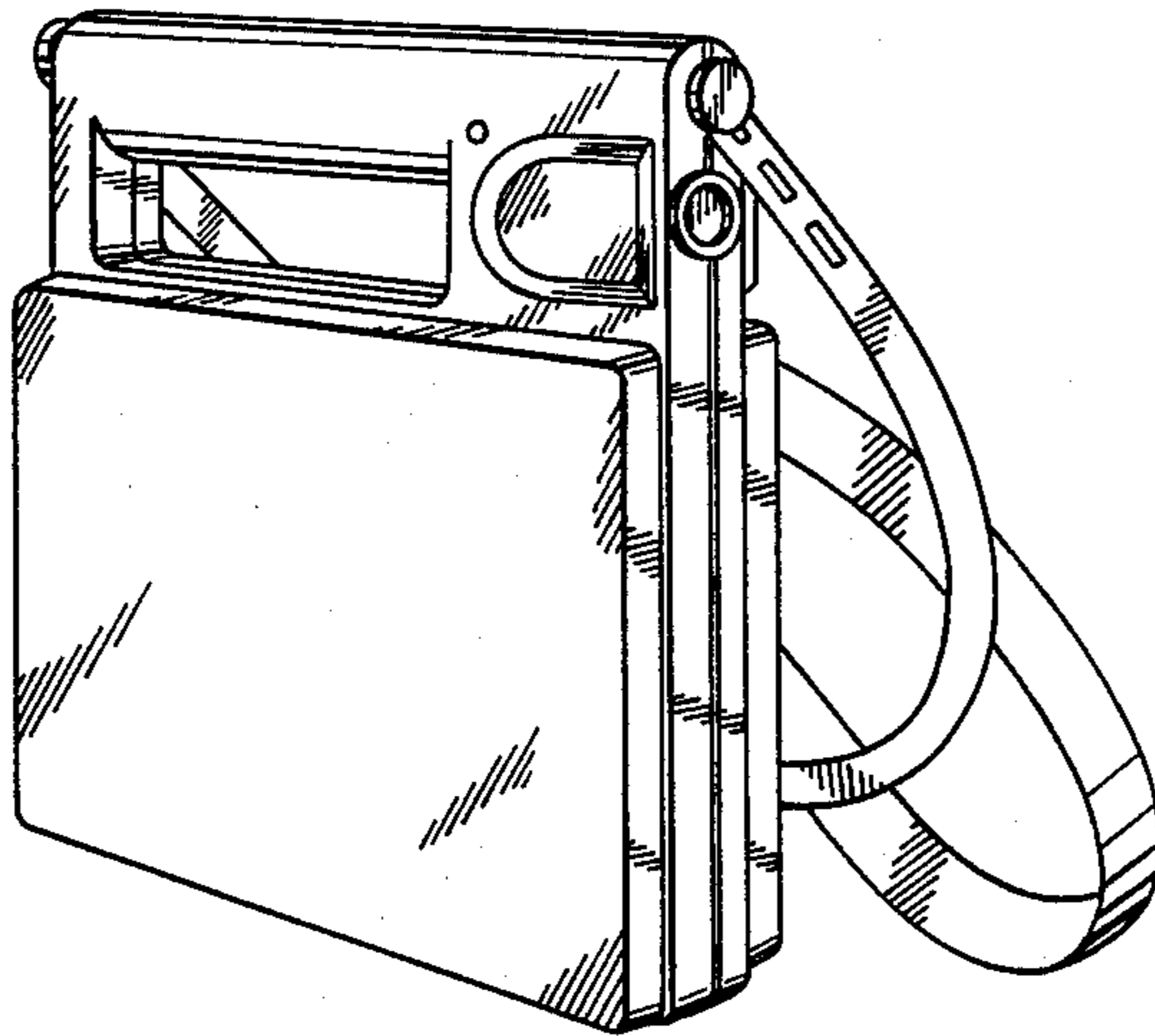


FIG. 2.

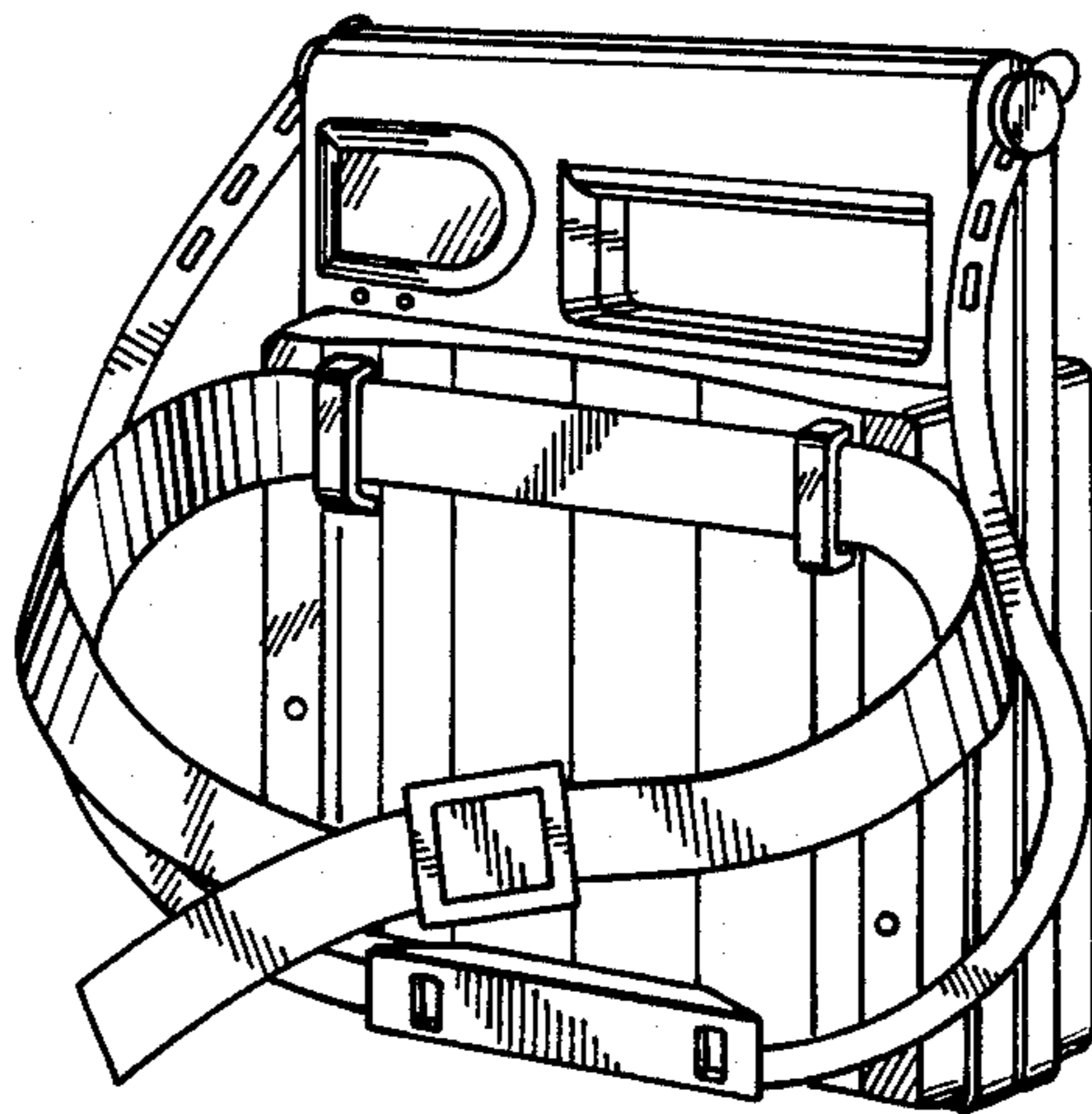


FIG. 3.

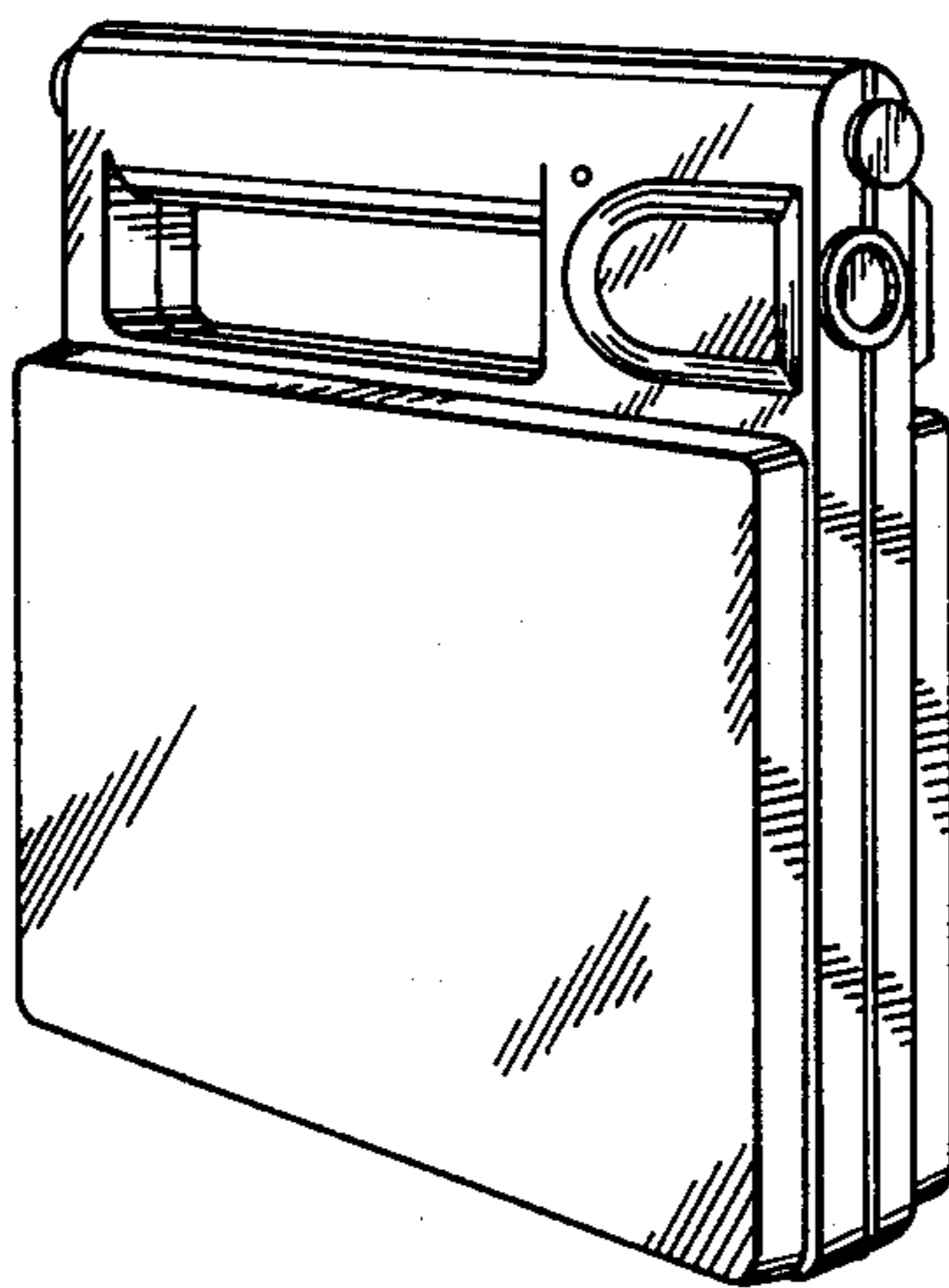


FIG. 4.

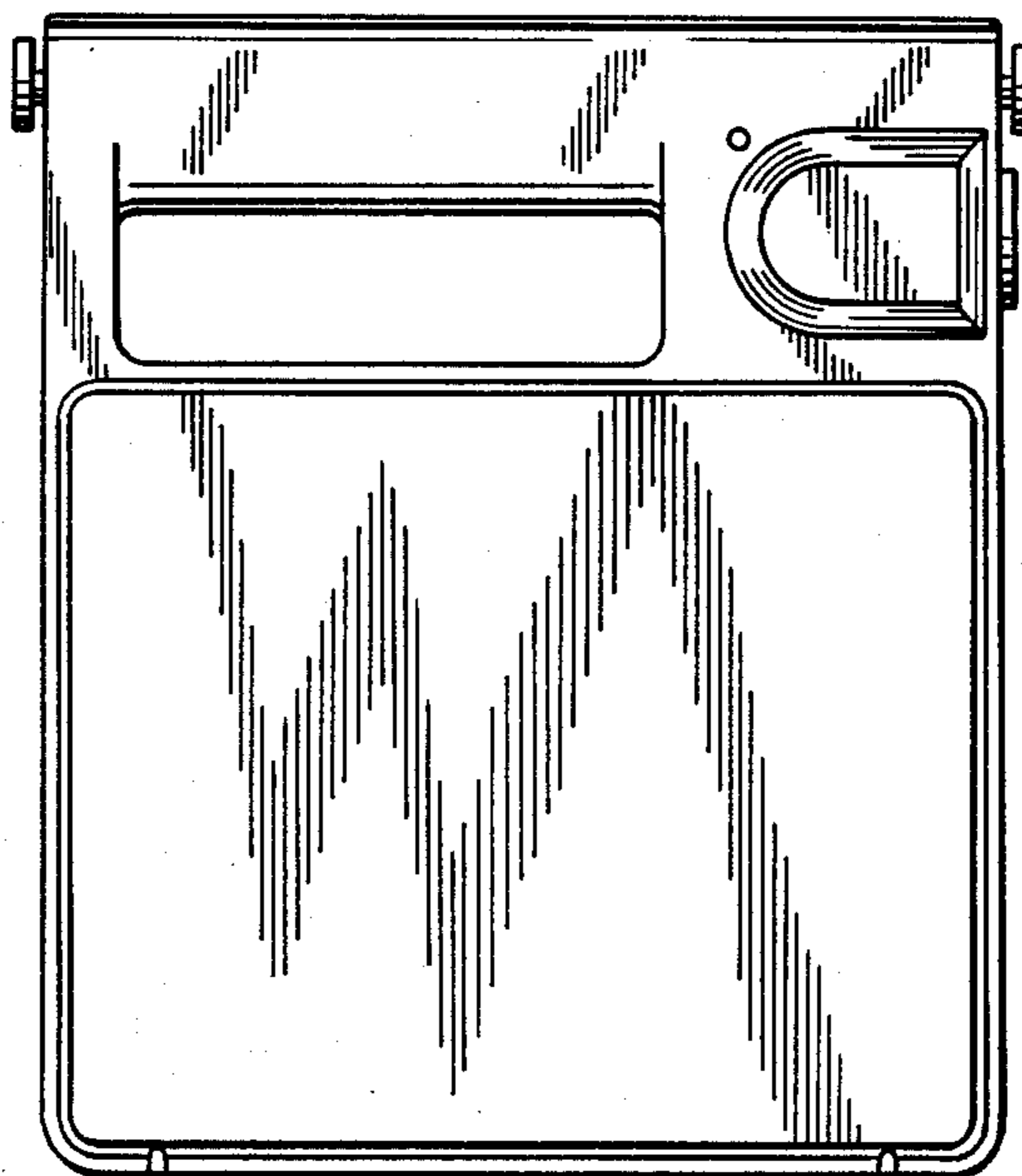


FIG. 5.

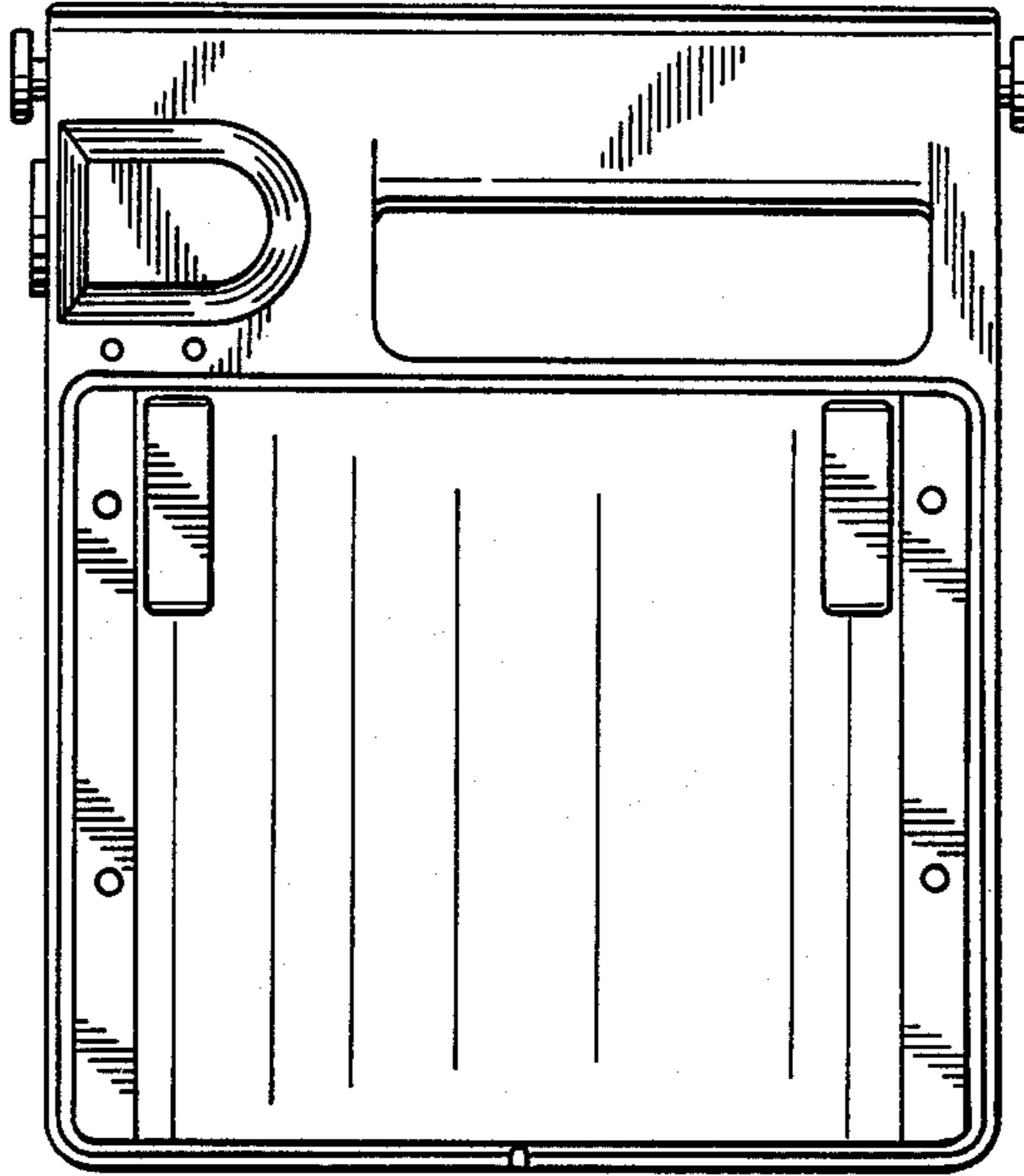


FIG. 6.

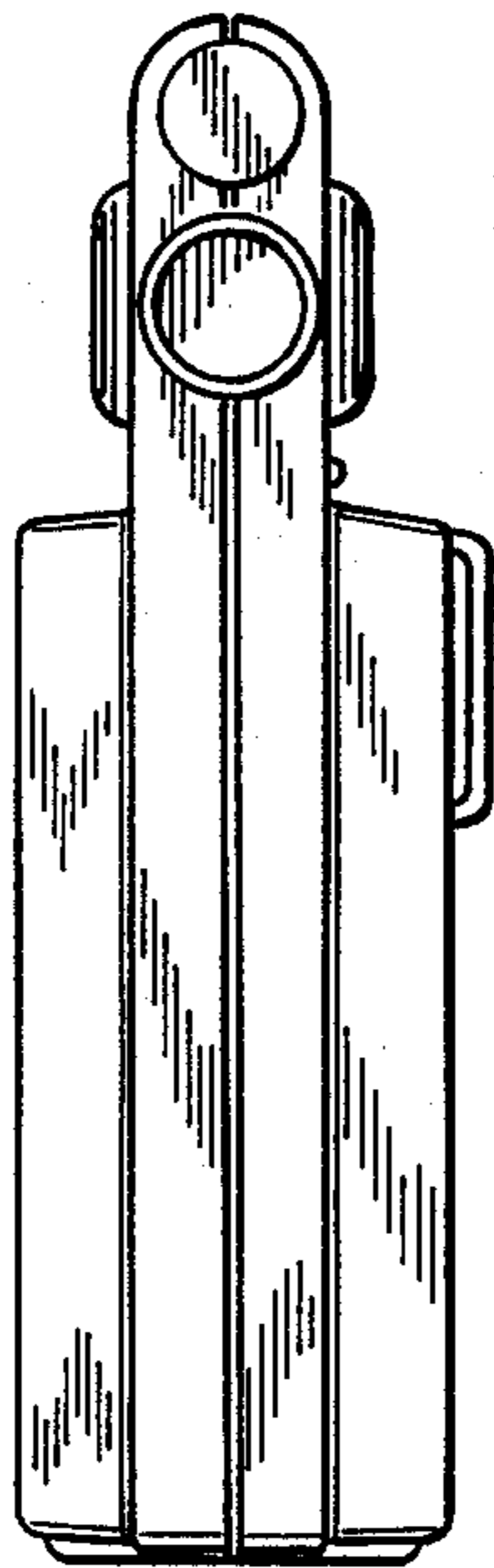


FIG. 7.



FIG. 8.

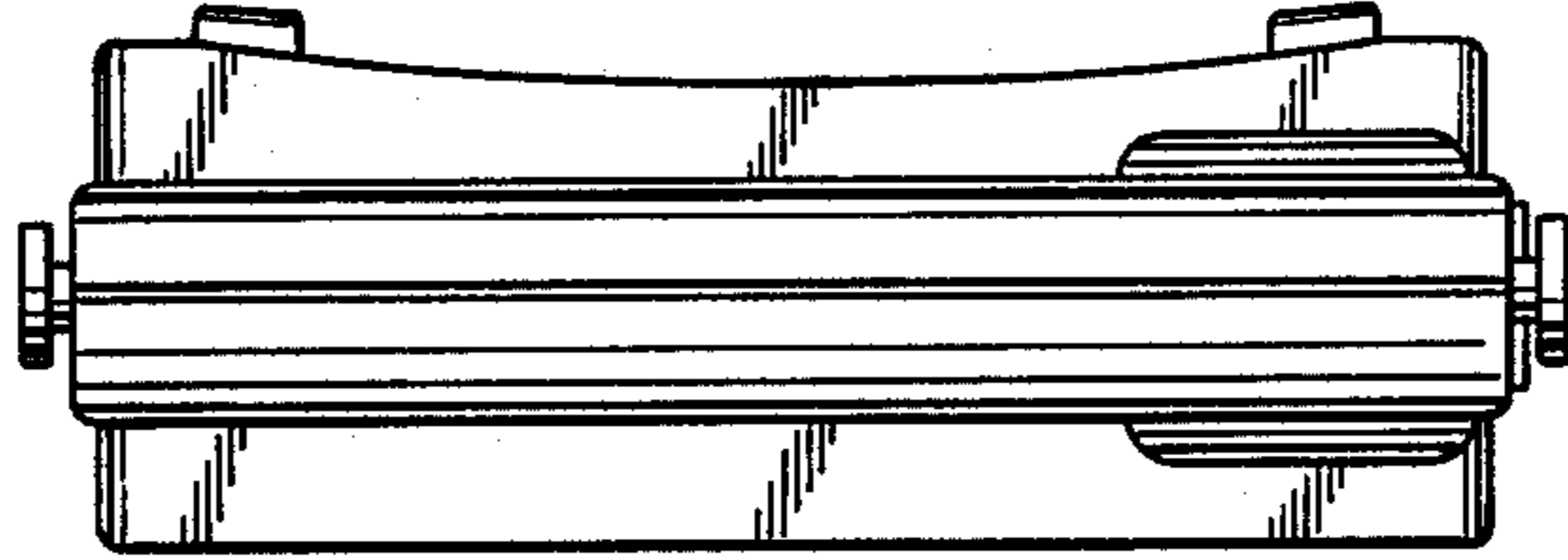


FIG. 9.

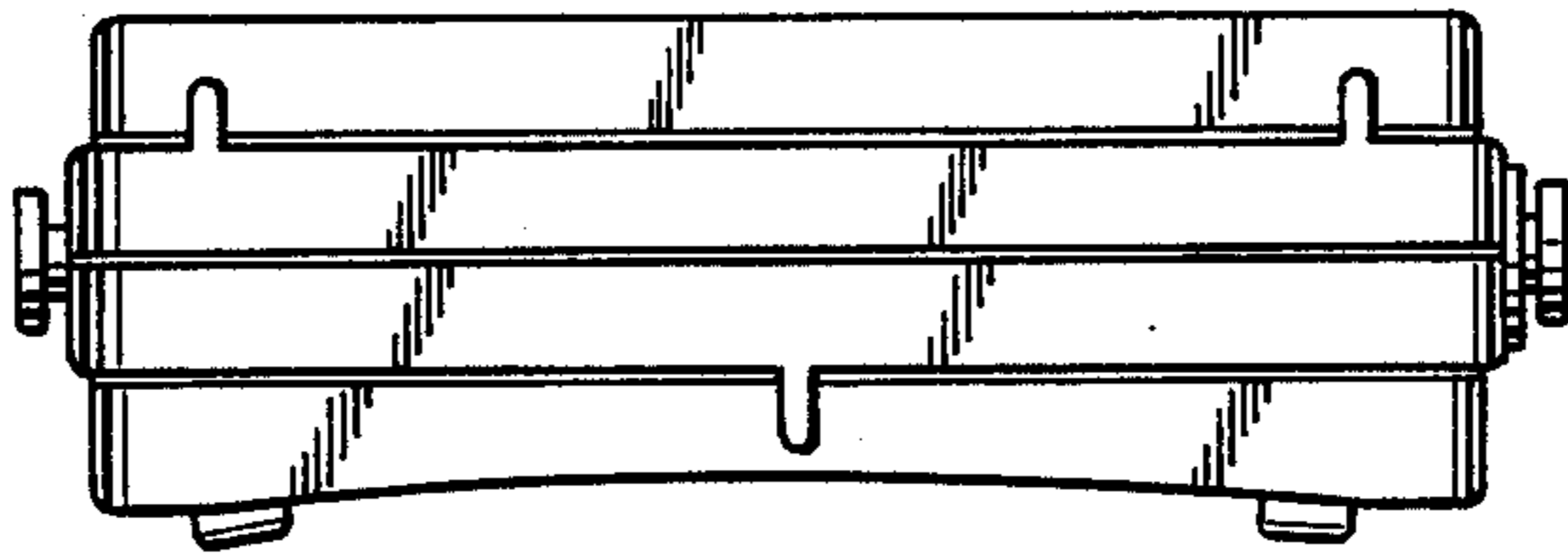


FIG. 10.

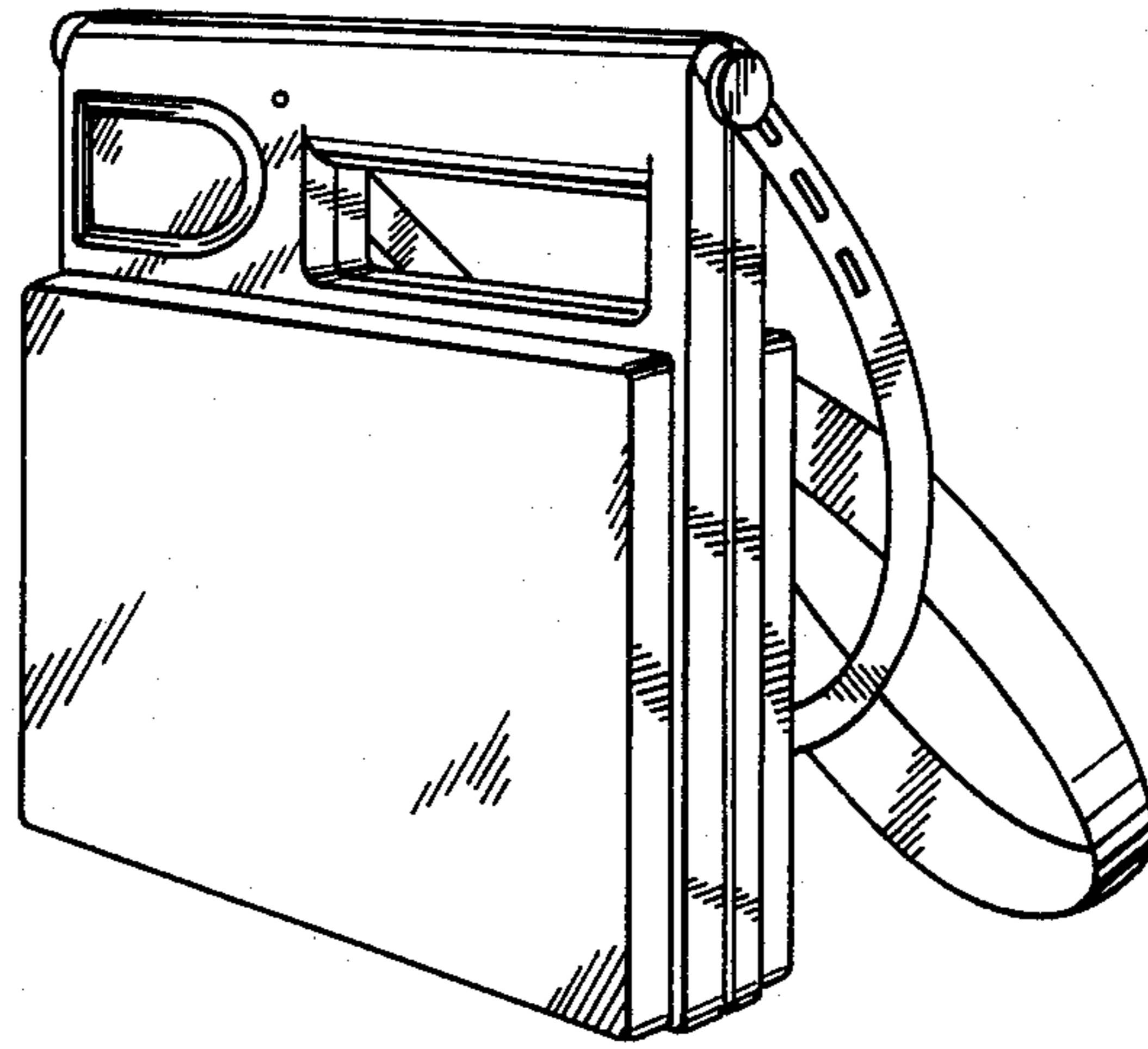


FIG. 11

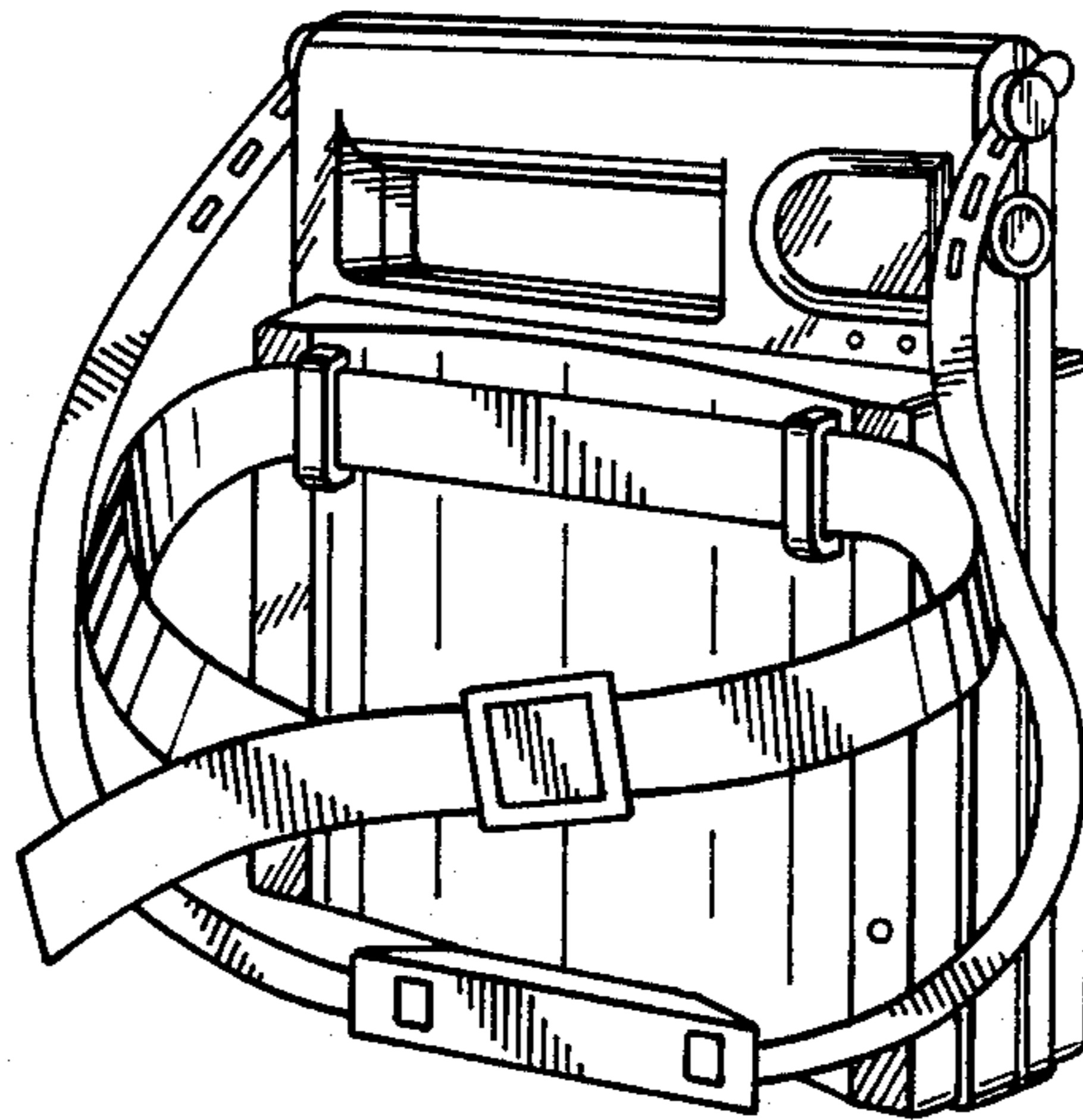


FIG. 12.

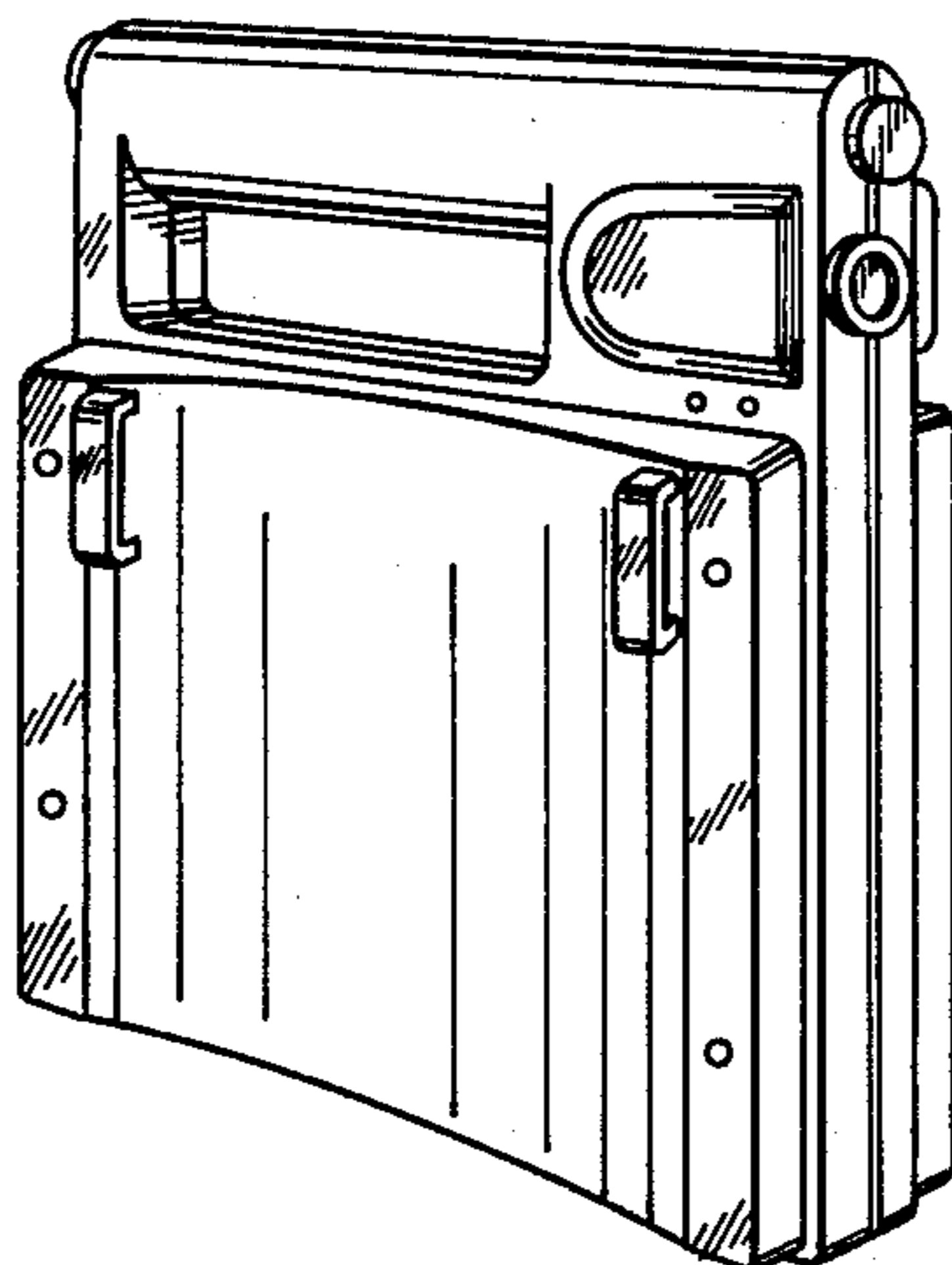


FIG. 13.

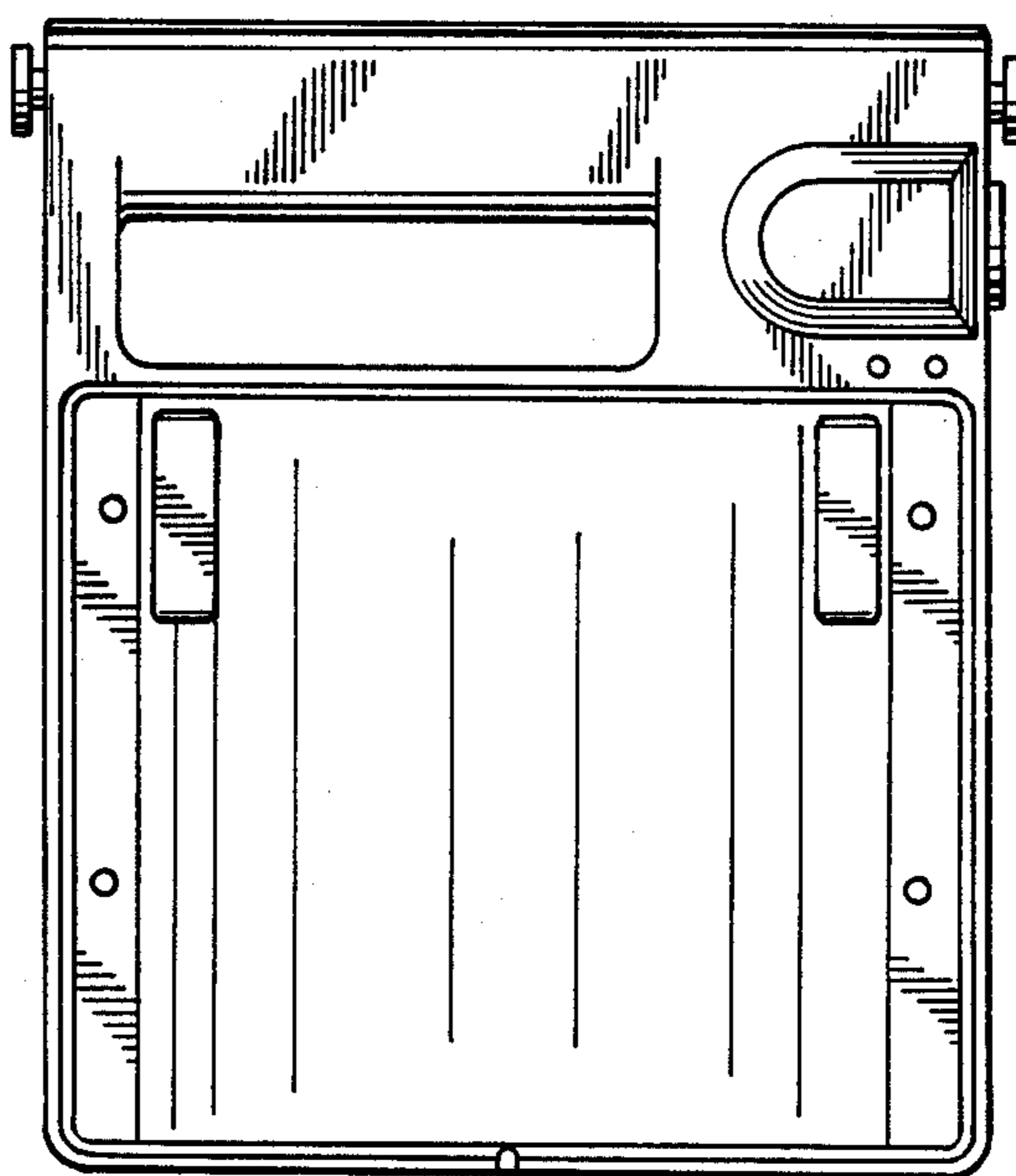


FIG. 14.

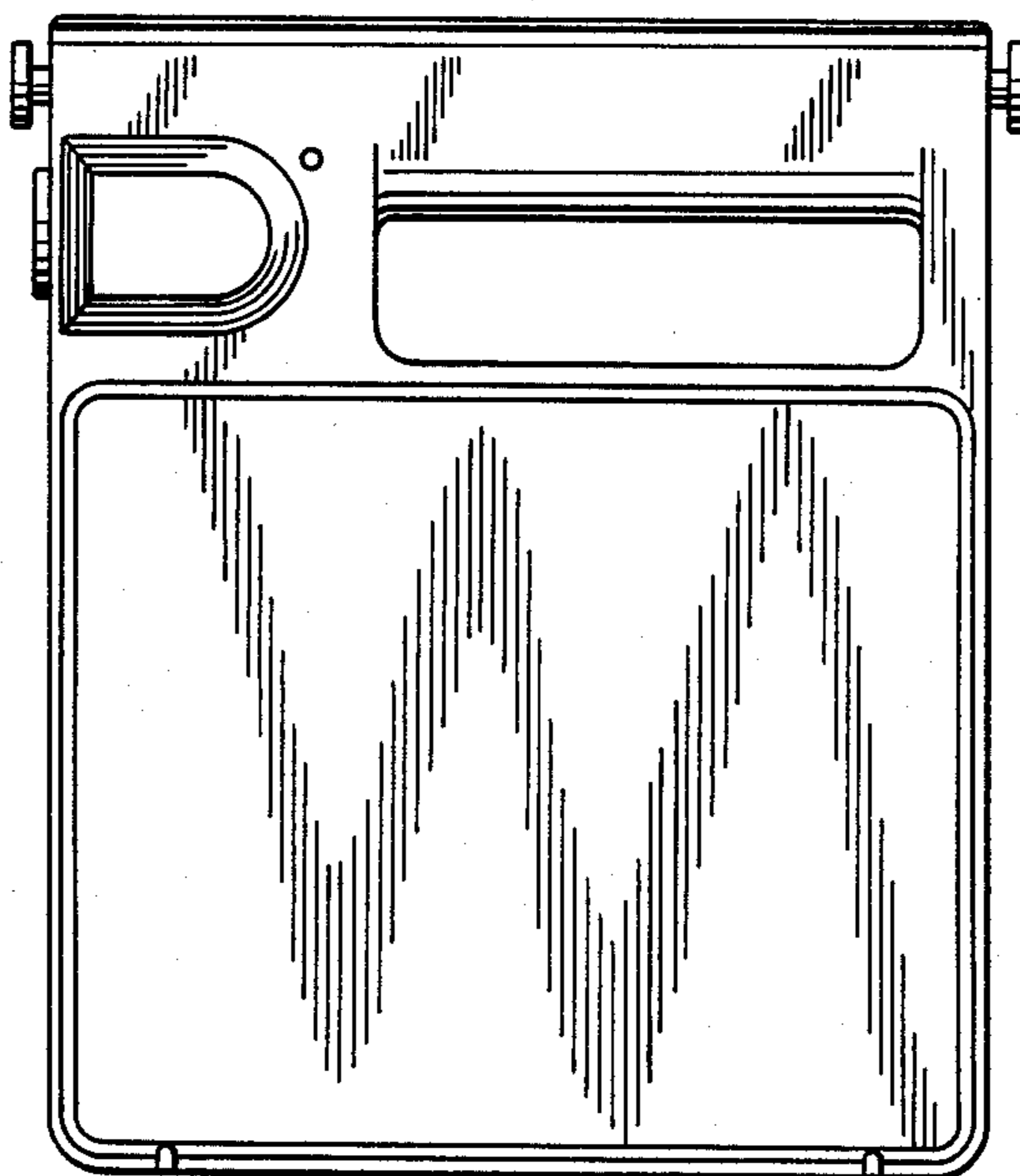


FIG. 15.

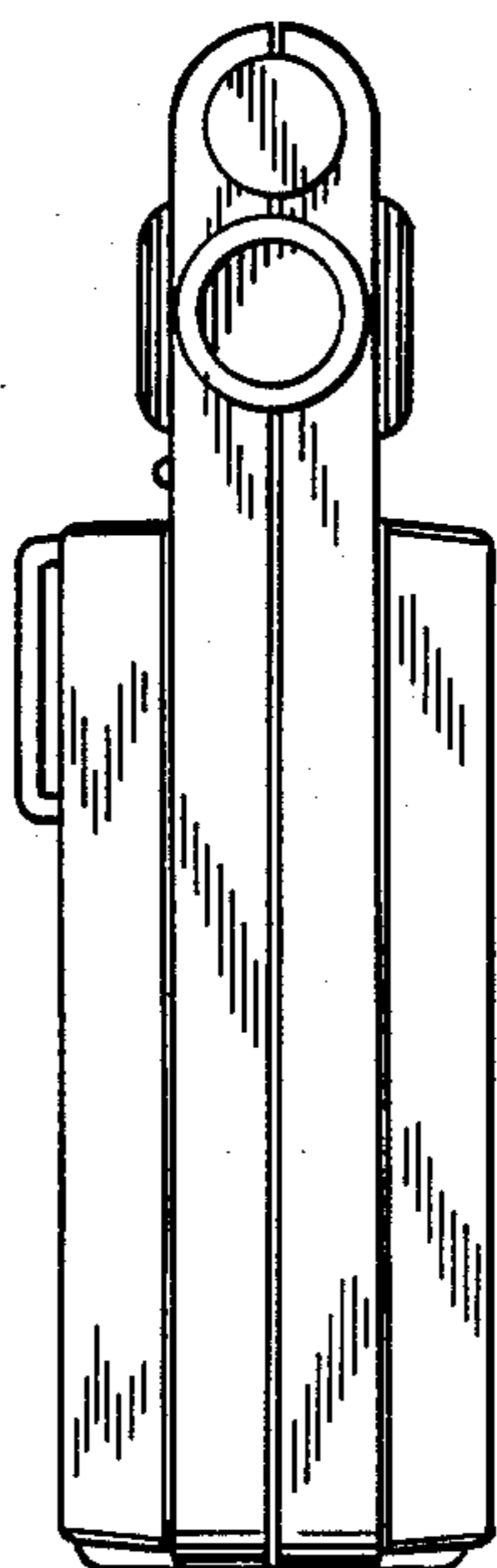


FIG. 16.

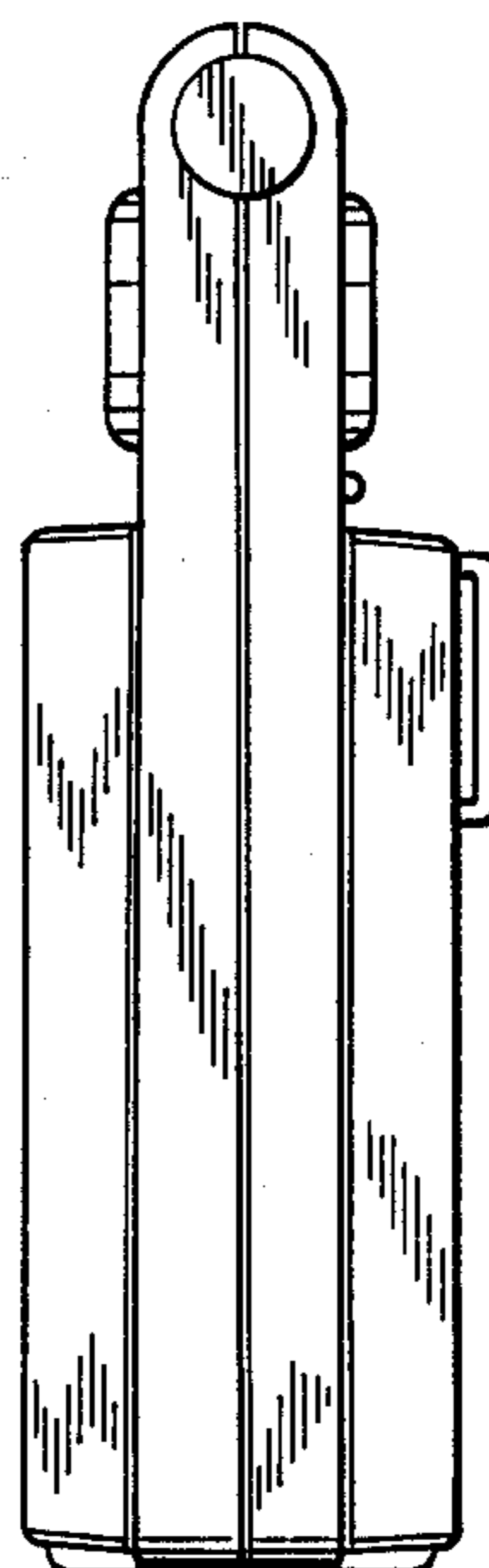


FIG. 17.

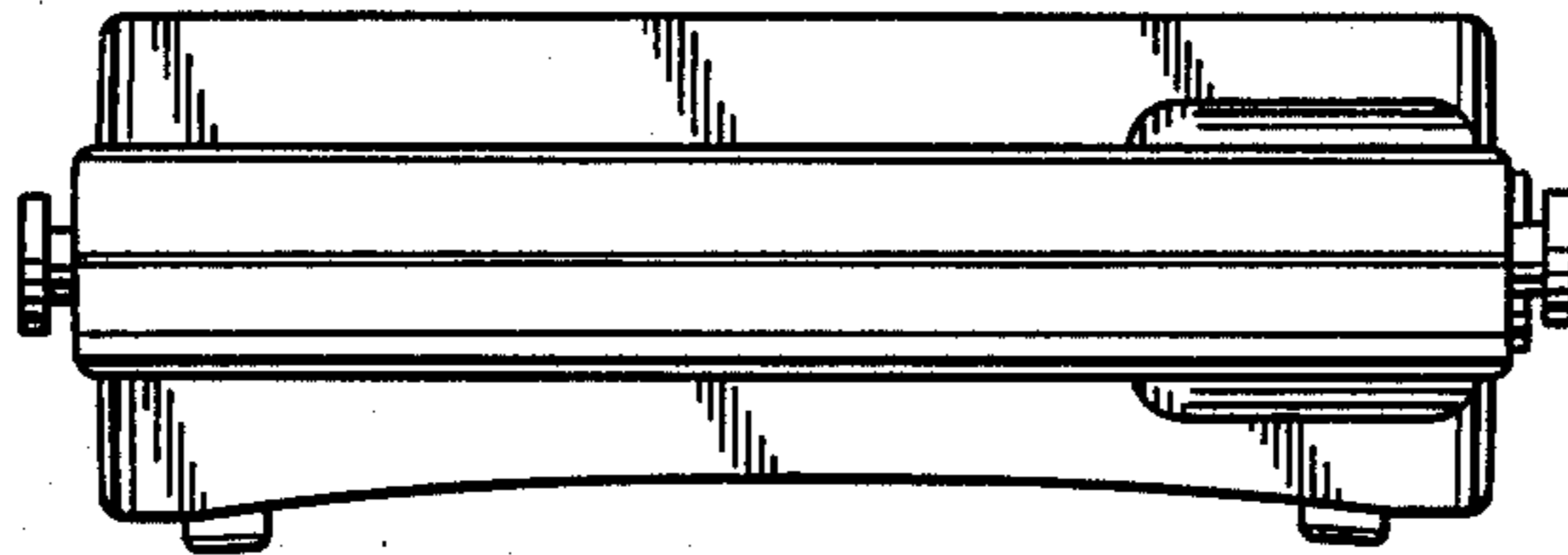


FIG. 18.

