

[54] HOOD PROTECTOR SHIELD

[75] Inventor: Douglas A. Turner, Newport Beach, Calif.

[73] Assignee: G. T. Styling, Inc., Costa Mesa, Calif.

[**] Term: 14 Years

[21] Appl. No.: 169,754

[22] Filed: Mar. 18, 1988

[52] U.S. Cl. D12/190; D12/181

[58] Field of Search D12/190, 181; 296/91; 180/68.1, 68.6

3,015,517 1/1962 Thornburgh 296/91

3,815,700 6/1974 Mittendorf 296/91

4,153,129 5/1979 Redmond 296/91

4,262,954 4/1981 Thompson 296/91

4,471,991 9/1984 Matthias 296/91

Primary Examiner—James M. Gandy
 Attorney, Agent, or Firm—Knobbe, Martens, Olson & Bear

[57] CLAIM

The ornamental design for a hood protector shield, as shown and described.

DESCRIPTION

FIG. 1 is a perspective view of a hood protector shield showing my new design attached to a pick up truck which is shown in broken lines for illustrative purposes only and forms no part of the claimed design; FIG. 2 is an enlarged front perspective view thereof; FIG. 3 is an enlarged rear perspective view thereof; FIG. 4 is an enlarged top plan view thereof; and, FIG. 5 is a greatly enlarged sectional view thereof taken along line 5—5 of FIG. 1.

[56] References Cited

U.S. PATENT DOCUMENTS

D. 167,676	9/1952	Chicorel	D12/181
D. 201,496	6/1965	Stef	D12/181
D. 272,429	1/1984	Trombley et al.	D12/190
D. 283,120	3/1986	Trombley et al.	D12/190
D. 284,565	7/1986	Trombley et al.	D12/190
2,236,846	4/1941	Davisson	296/91

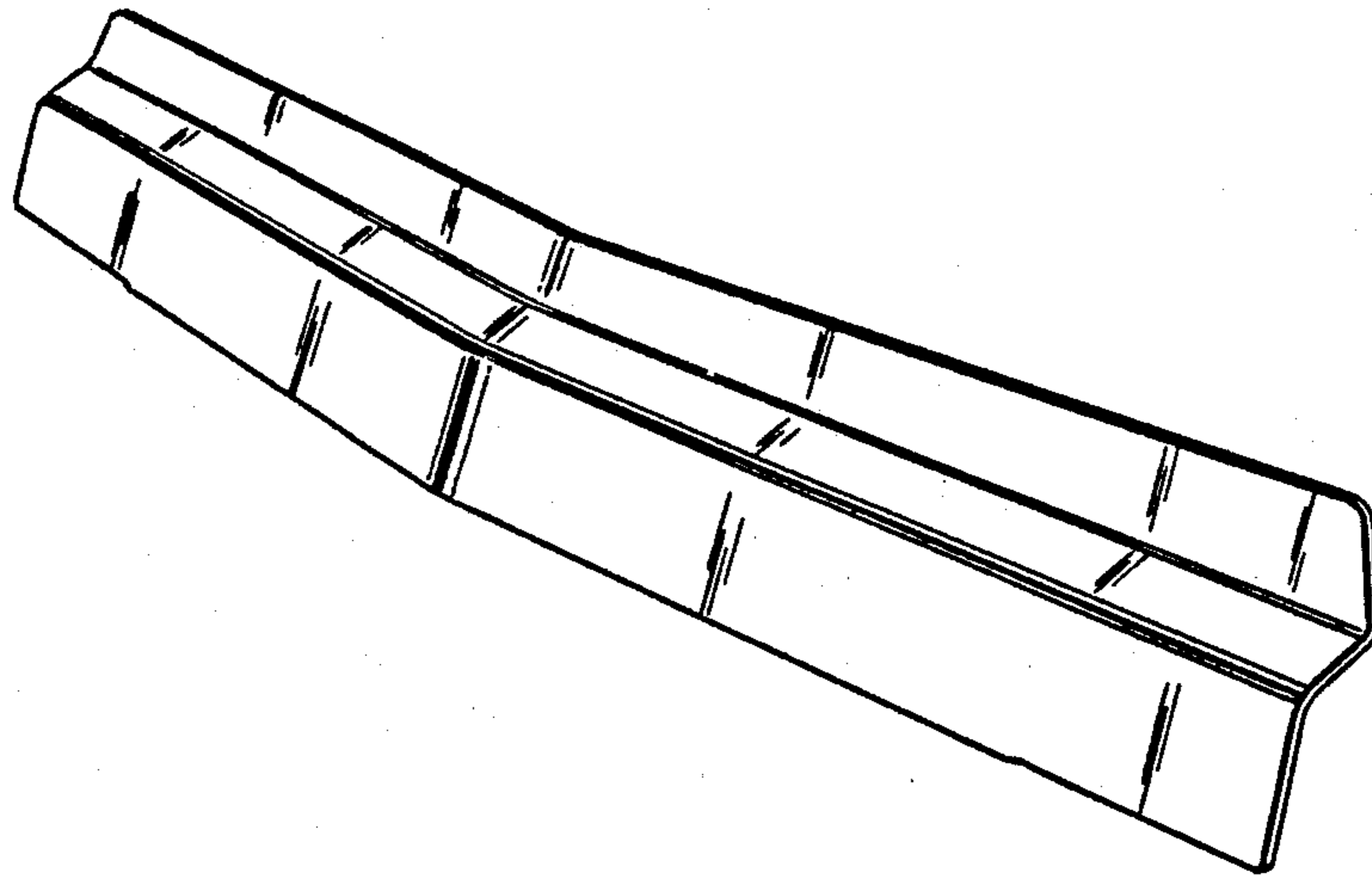


Fig. 1

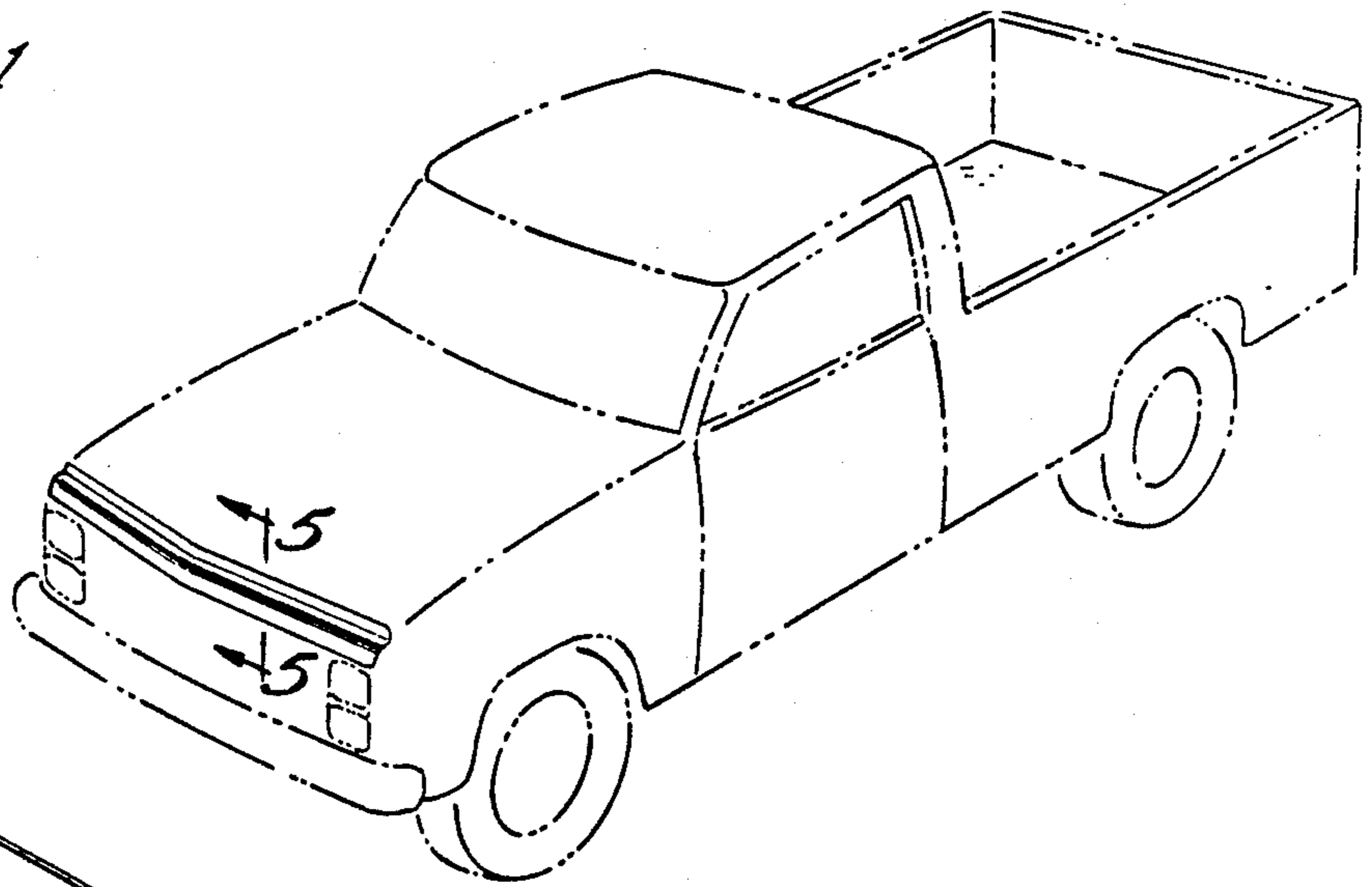


Fig. 2

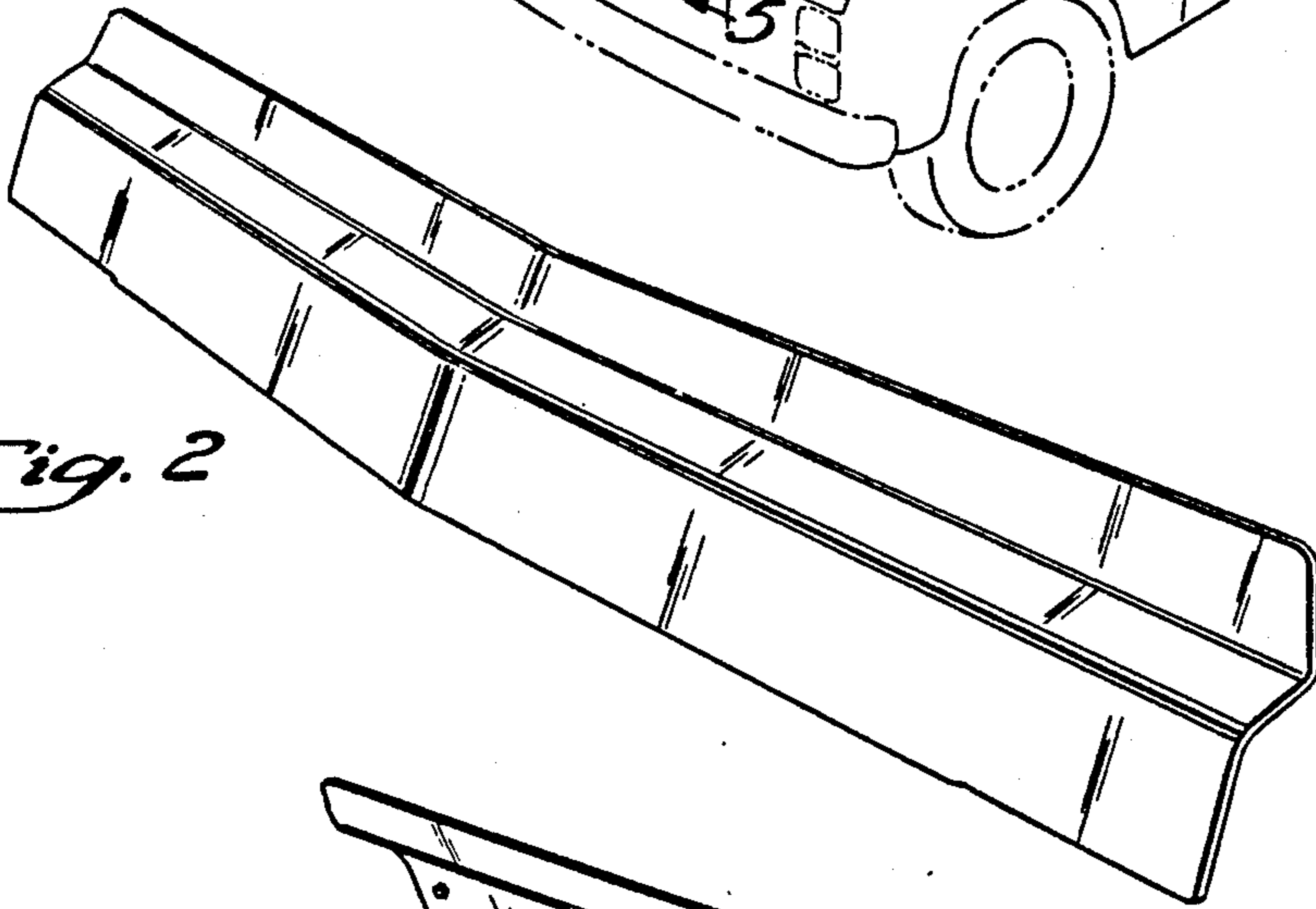


Fig. 3

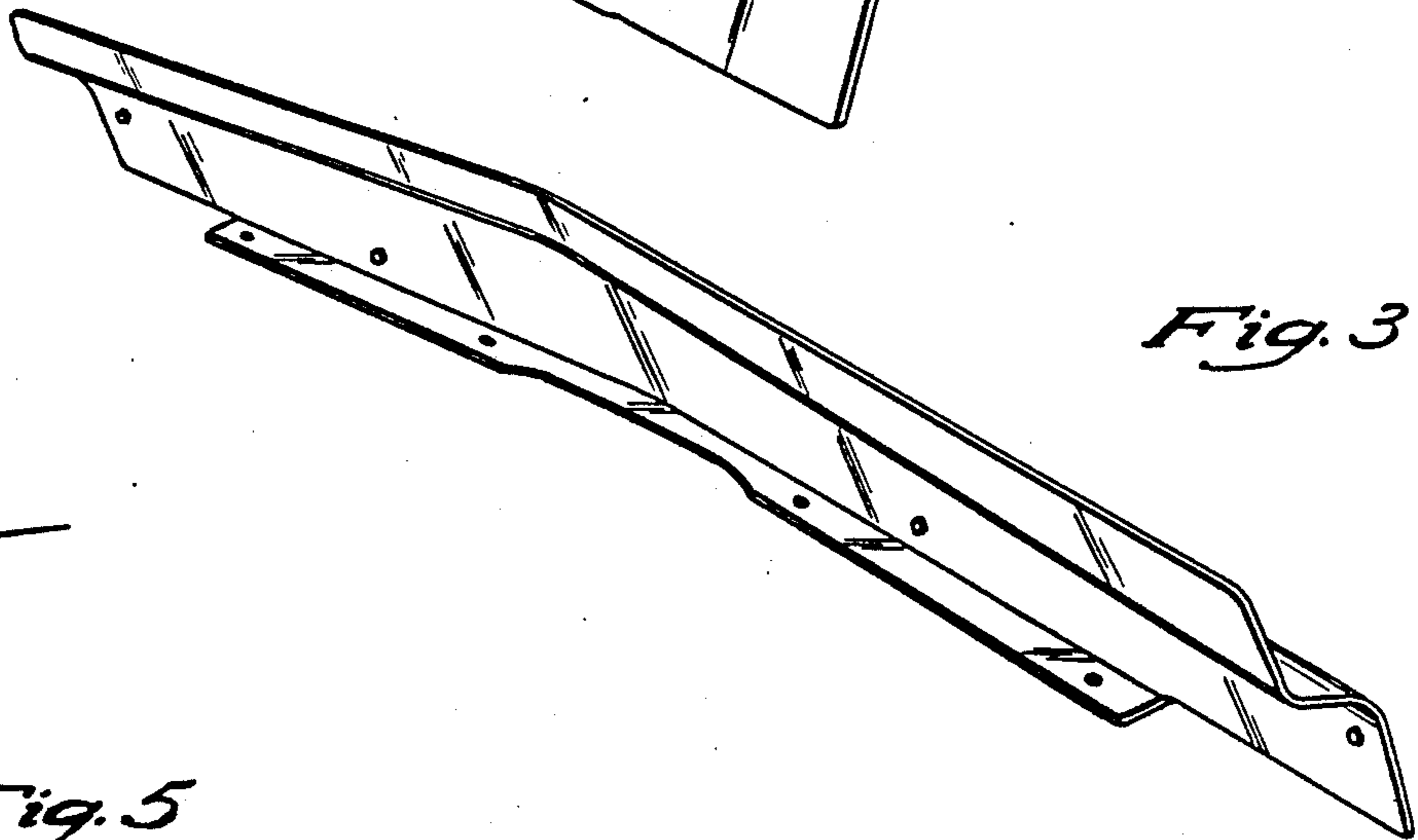


Fig. 5

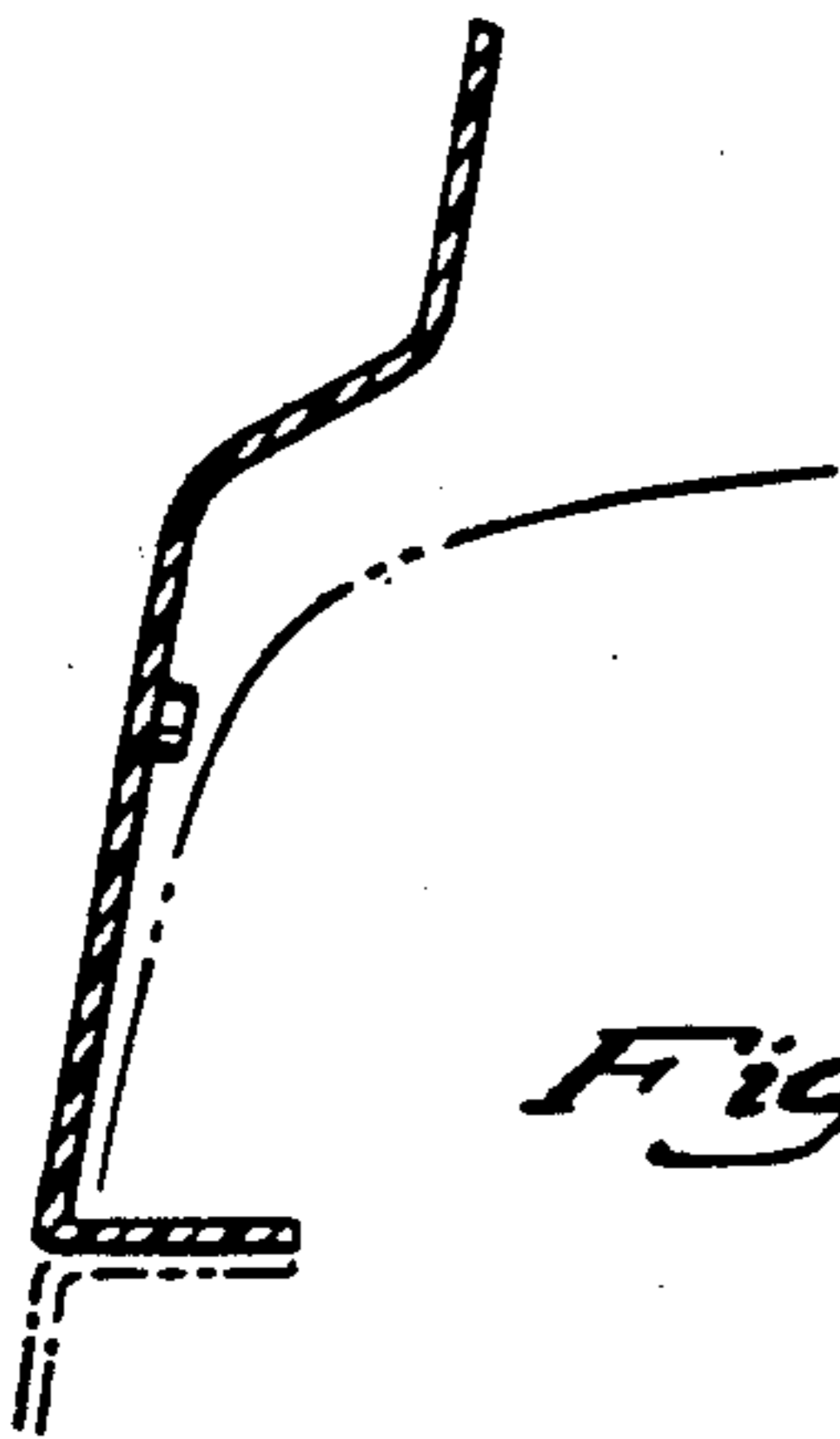


Fig. 4

