

United States Patent [19]

Envall et al.

[11] Patent Number: **Des. 300,915**

[45] Date of Patent: **** May 2, 1989**

[54] **LEFT REAR SHIELD FOR ATTACHMENT TO AN AUTOMOBILE**

[75] Inventors: **Bjorn E. Envall, Vänersborg; Erik Sorum, Kungälv, both of Sweden**

[73] Assignee: **Saab-Scania Aktiebolag, Trollhattan, Sweden**

[**] Term: **14 Years**

[21] Appl. No.: **937,183**

[22] Filed: **Dec. 2, 1986**

[52] U.S. Cl. **D12/190**

[58] Field of Search **D12/190, 172; 296/293, 296/294, 296, 297; 280/153 A, 153 B; 293/126, 128, 149, 154**

[56] **References Cited**

U.S. PATENT DOCUMENTS

D. 280,399 9/1985 Wilsgaard D12/172
D. 287,115 12/1986 Envall et al. D12/190
D. 287,116 12/1986 Envall et al. D12/190

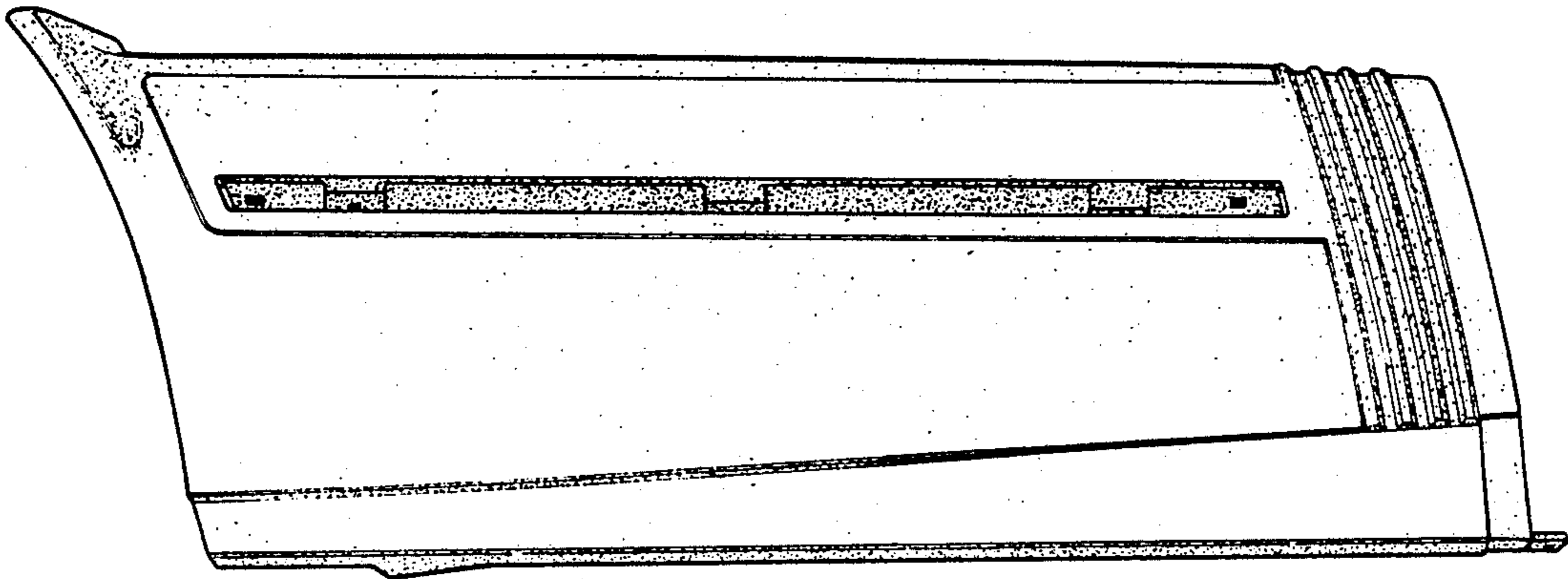
Primary Examiner—James M. Gandy
Attorney, Agent, or Firm—Young & Thompson

[57] **CLAIM**

The ornamental design for a left rear shield for attachment to an automobile, as shown.

DESCRIPTION

FIG. 1 is a front elevational view of a left rear shield for attachment to an automobile, showing our new design; FIG. 2 is a perspective view of the top, front and right end thereof; and FIG. 3 is a perspective view of the top, rear and left end thereof.



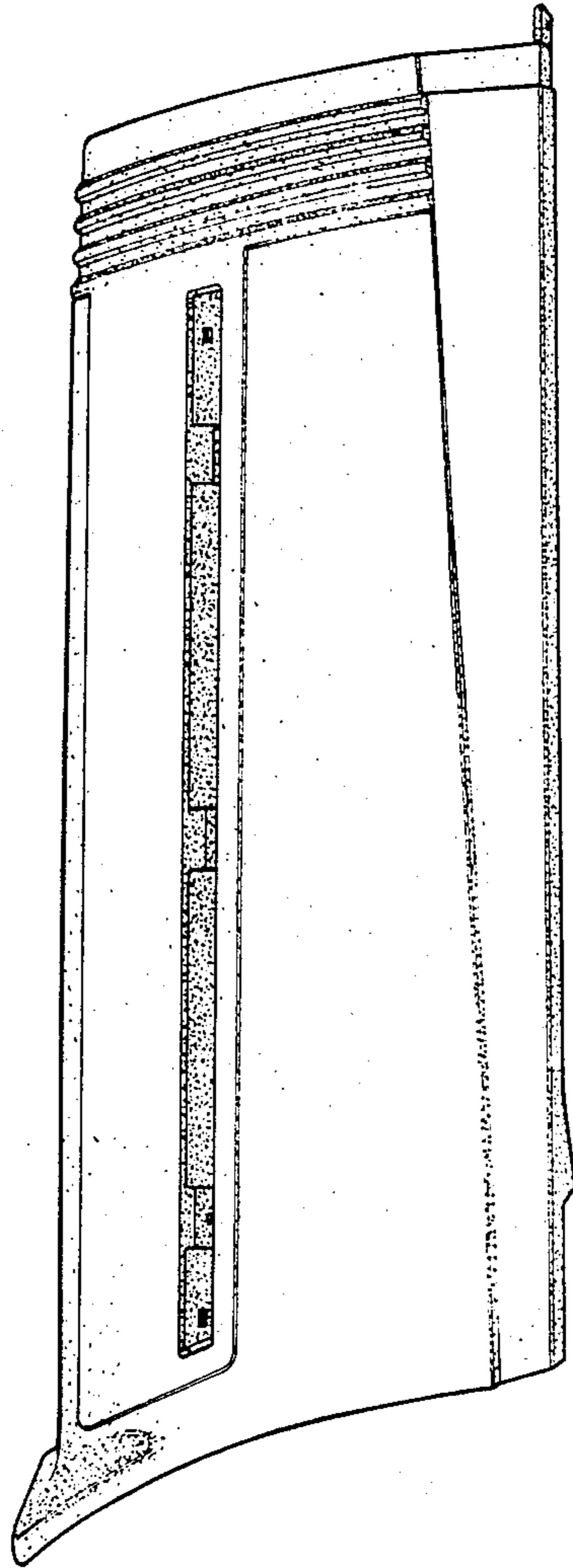


FIG. 1

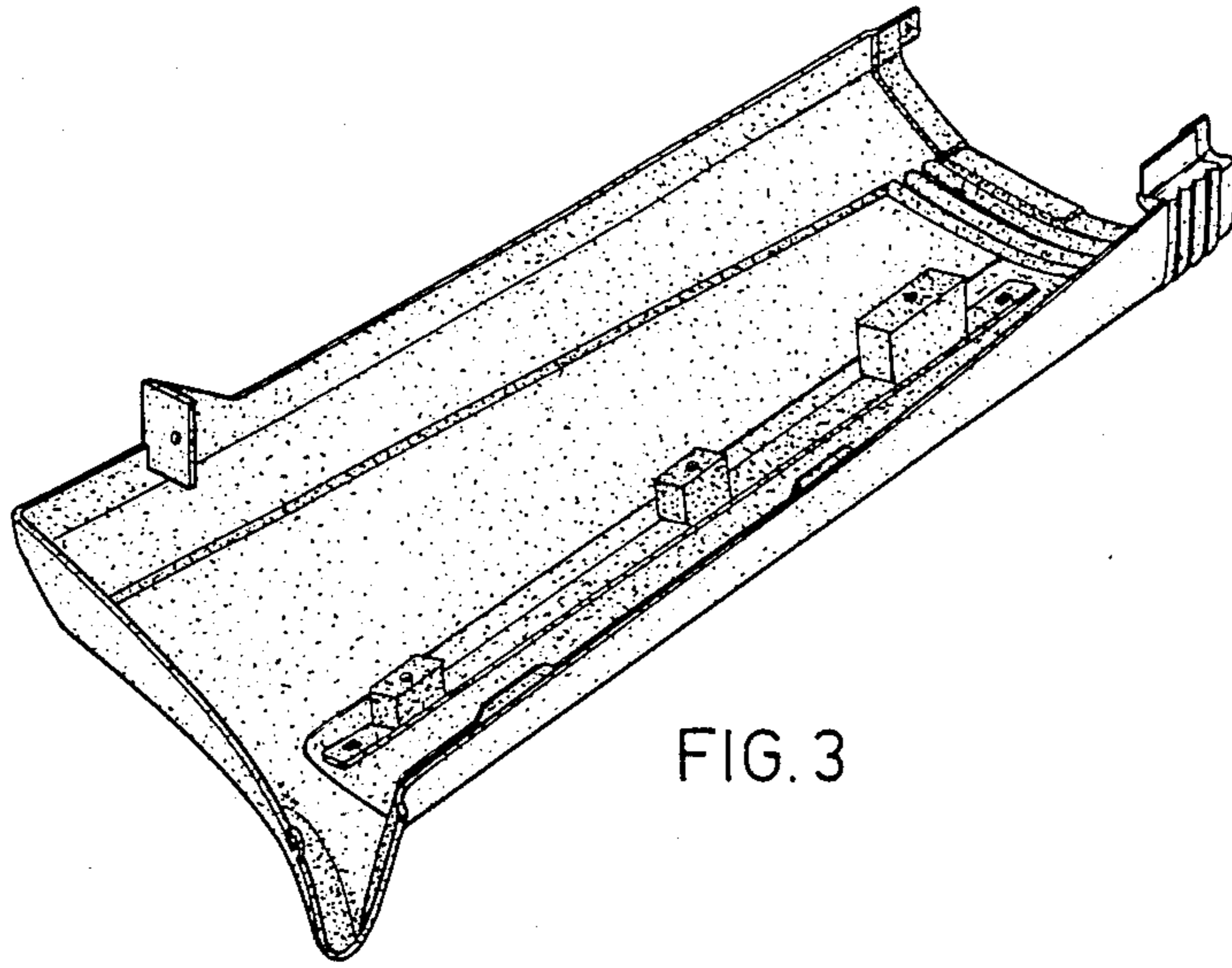


FIG. 3

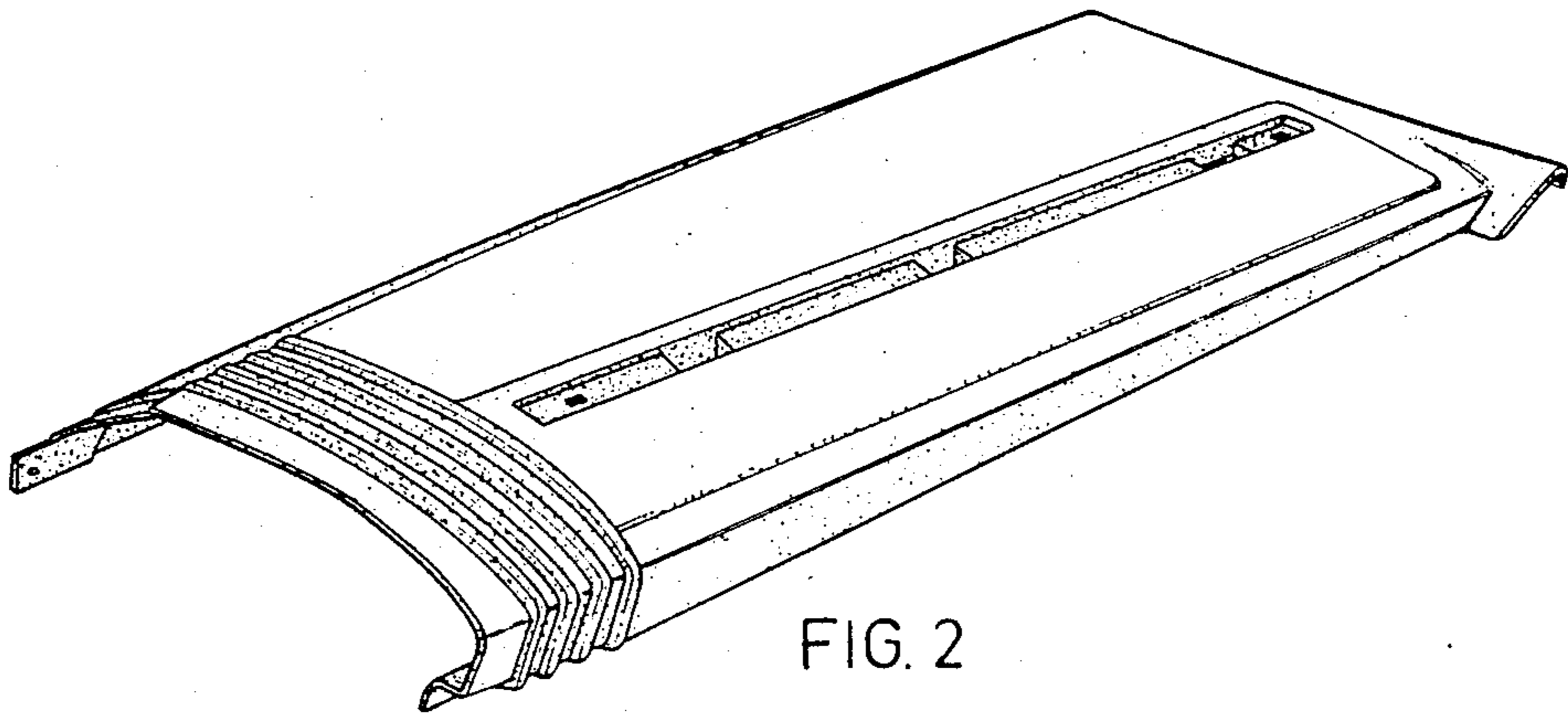


FIG. 2