

[54] **SKI RACK**

[75] **Inventor: Jan-Ivar Arvidsson, Hillerstorp, Sweden**

[73] **Assignee: Industri AB Thule, Hillerstorp, Sweden**

[**] **Term: 14 Years**

[21] **Appl. No.: 906,199**

[22] **Filed: Sep. 11, 1986**

[30] **Foreign Application Priority Data**

Mar. 11, 1986 [SE] Sweden 86-0612

[52] **U.S. Cl. D12/157**

[58] **Field of Search D12/157; 224/309, 315, 224/317, 321-325, 327, 329, 331, 917**

[56] **References Cited**

U.S. PATENT DOCUMENTS

4,720,031 1/1988 Zimmerman 224/323

FOREIGN PATENT DOCUMENTS

2828192 1/1979 Fed. Rep. of Germany 224/323

Primary Examiner—James M. Gandy
Attorney, Agent, or Firm—Burns, Doane, Swecker & Mathis

[57] **CLAIM**

The ornamental design for a ski rack, as shown and described.

DESCRIPTION

FIG. 1 is a side perspective view of a ski rack in a closed position showing my new design;
FIG. 2 is a bottom perspective view thereof;
FIG. 3 is an enlarged end perspective view thereof;
FIG. 4 is a side perspective view thereof in an open position;
FIG. 5 is a bottom perspective view of FIG. 4; and
FIG. 6 is a side perspective view similar to FIG. 4 but with portions of the support clamp unit omitted for clarity of illustration.

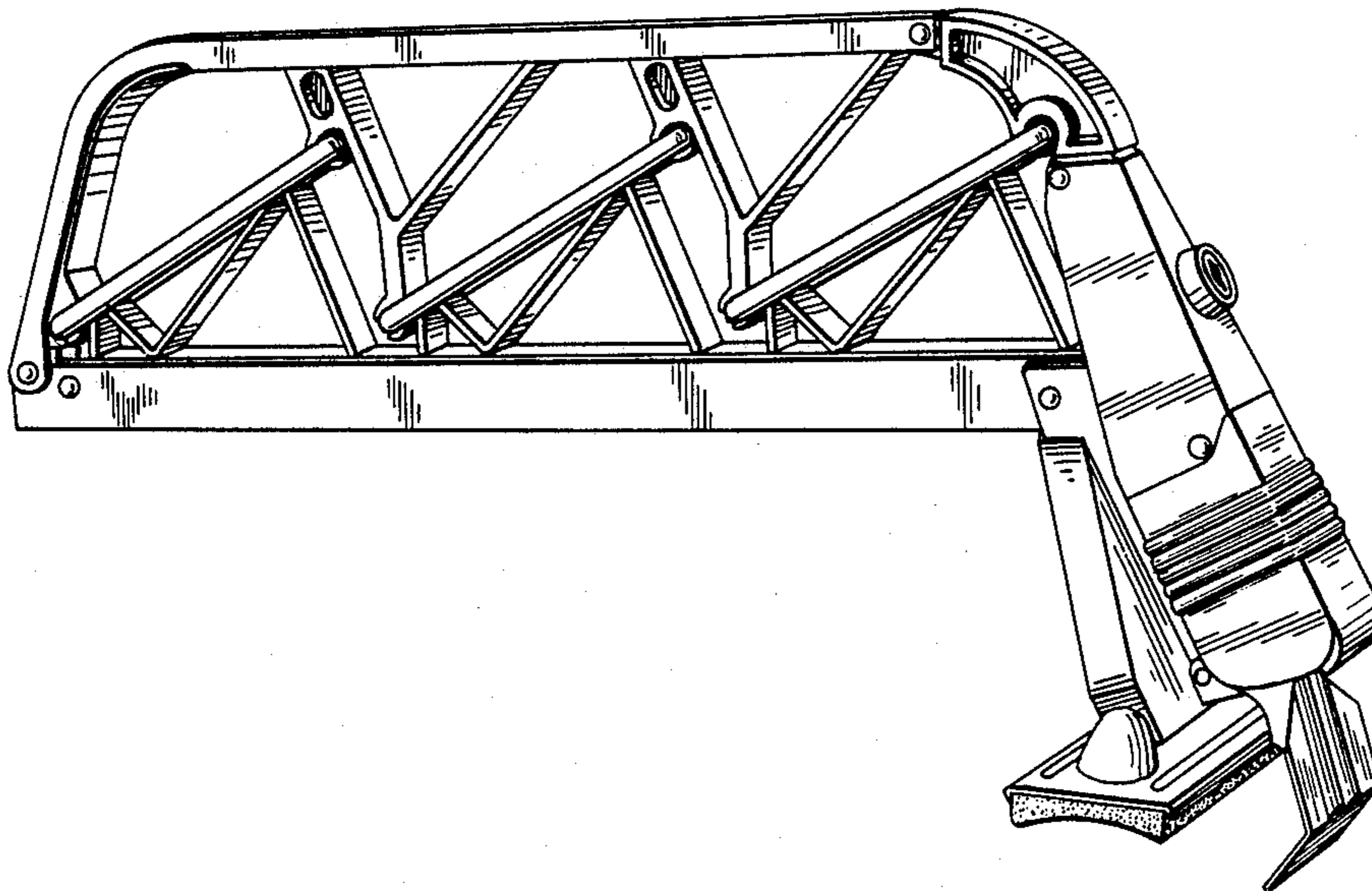


FIG. 1

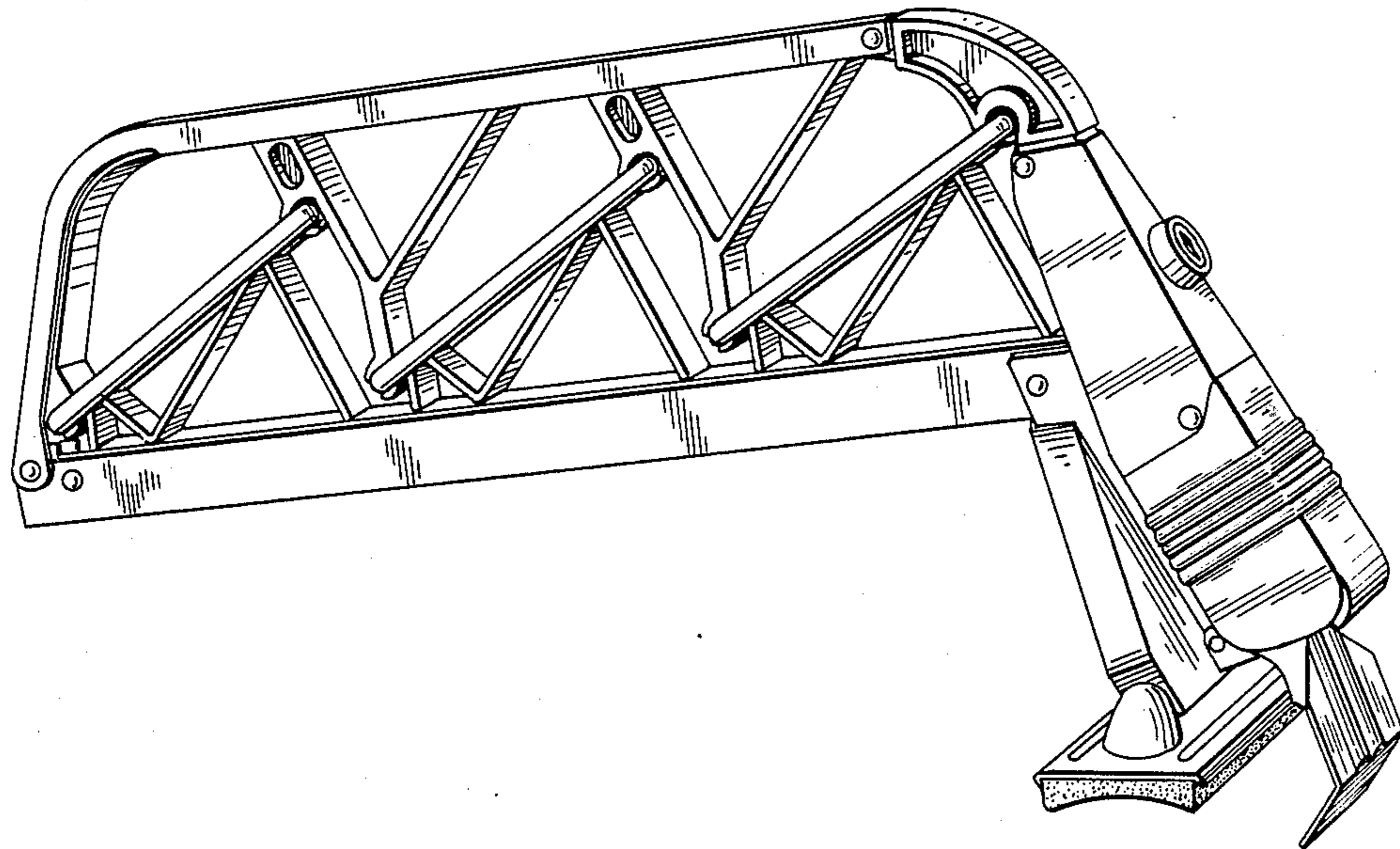


FIG. 2

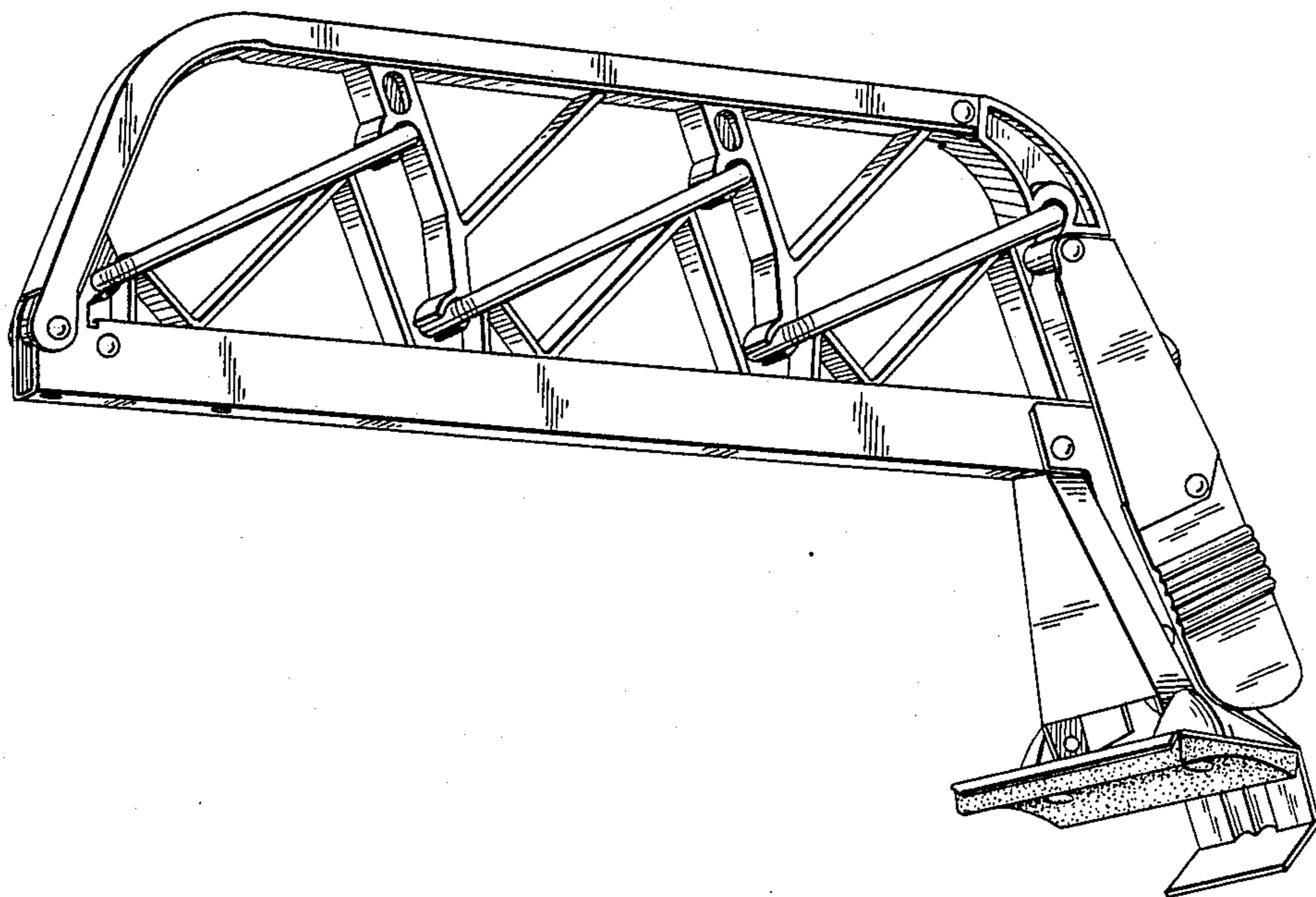


FIG. 3

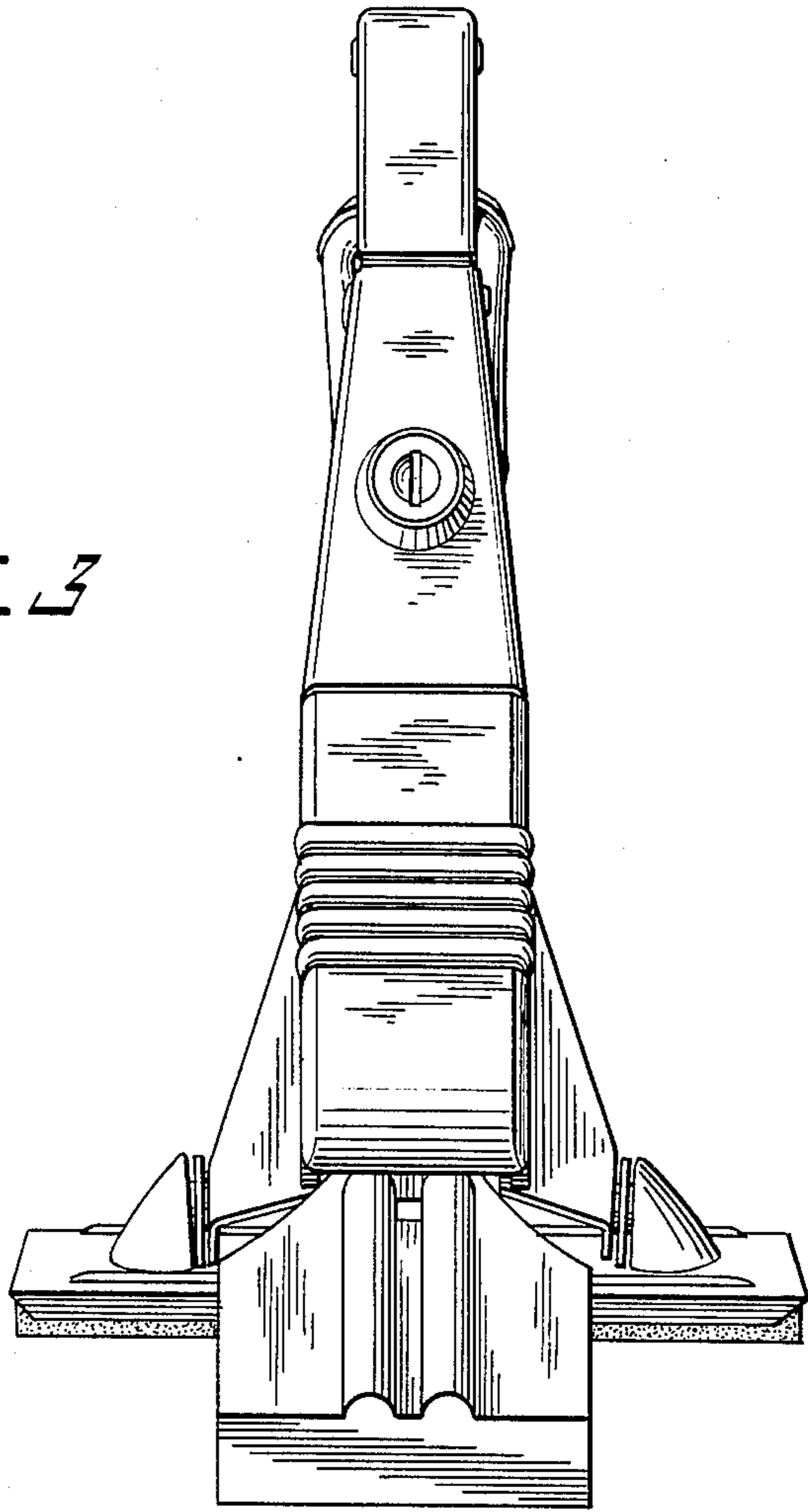


FIG. 4

