

[54] SURFACE TEMPERATURE LOSS MEASURING DEVICE

[75] Inventor: Stig R. Zernell, Saltsjöbaden, Sweden

[73] Assignee: Svenska Matapparater F.A.B., Farsta, Sweden

[**] Term: 14 Years

[21] Appl. No.: 850,908

[22] Filed: Apr. 8, 1986

[30] Foreign Application Priority Data

Oct. 8, 1985 [SE] Sweden 85-2412

[52] U.S. Cl. D10/57

[58] Field of Search D10/50-57, D10/60, 75, 78, 102-103, 46, 15; 374/163-170, 179-180, 185, 208

[56] References Cited

U.S. PATENT DOCUMENTS

- D. 249,475 9/1978 Turner D10/57
- D. 264,190 5/1982 Müller D10/57
- D. 292,494 10/1987 King D10/57

- 3,530,718 9/1970 Ehlo 374/163 X
- 4,206,649 6/1980 Nagaie 374/170
- 4,416,553 11/1983 Huebscher 374/179
- 4,428,685 1/1984 Lemelson 374/163
- 4,602,642 7/1986 O'Hara 374/170 X

OTHER PUBLICATIONS

Cole-Parmer Cat., ©"1984 Presents"-Super Flexatherm Thermometer on p. 6.
Design News-5/12/65-p. 48-Electronic hygrometer.

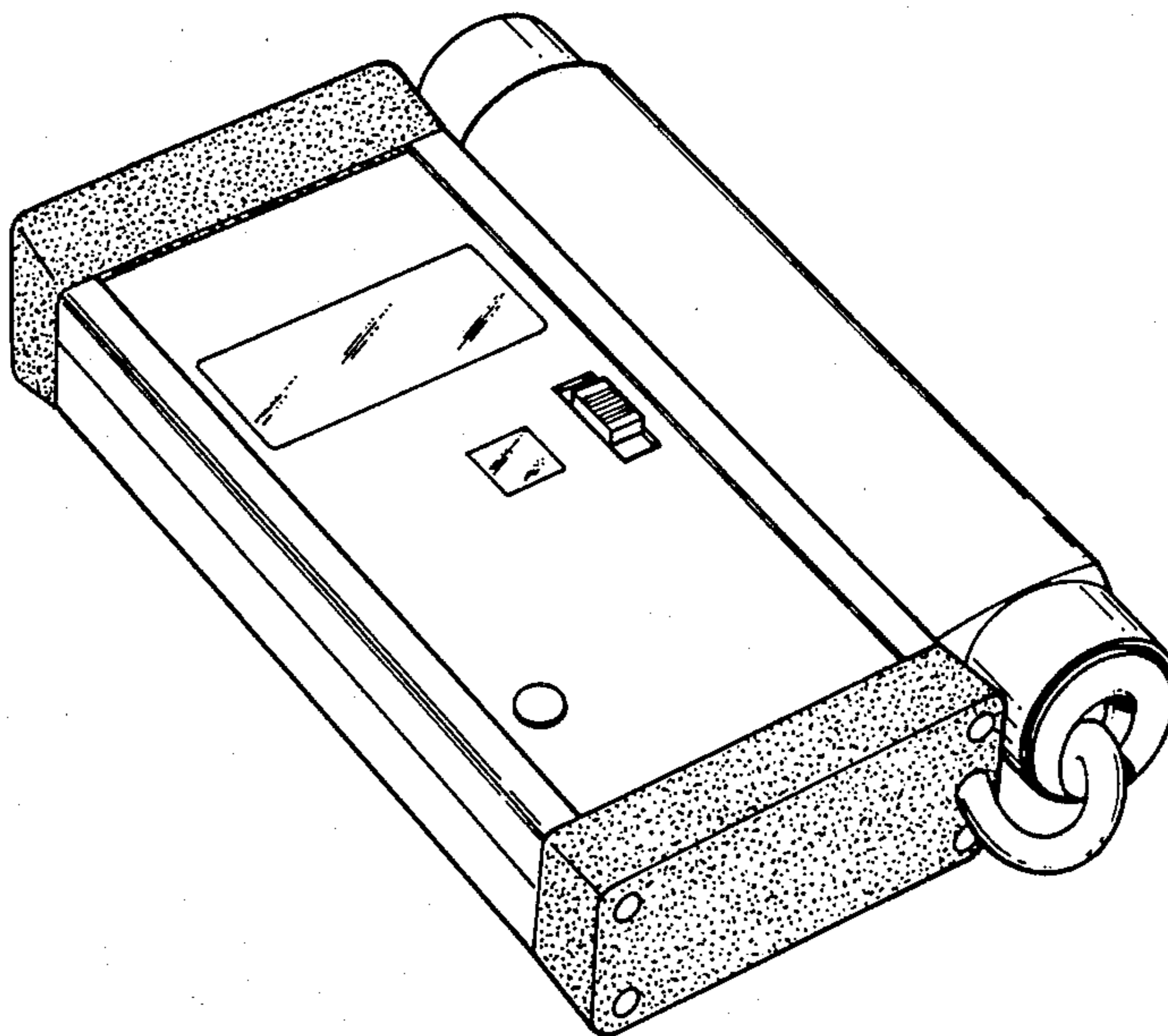
Primary Examiner-Nelson C. Holtje
Attorney, Agent, or Firm-Young & Thompson

[57] CLAIM

The ornamental design for a surface temperature loss measuring device, as shown and described.

DESCRIPTION

FIG. 1 is a front and bottom-left perspective view of a surface temperature loss measuring device showing my new design;
FIG. 2 is a rear and top-right perspective view thereof;
FIG. 3 is a front and top right perspective view thereof with the detector in an alternative position;
FIG. 4 is a rear and bottom-left perspective view of FIG. 3.



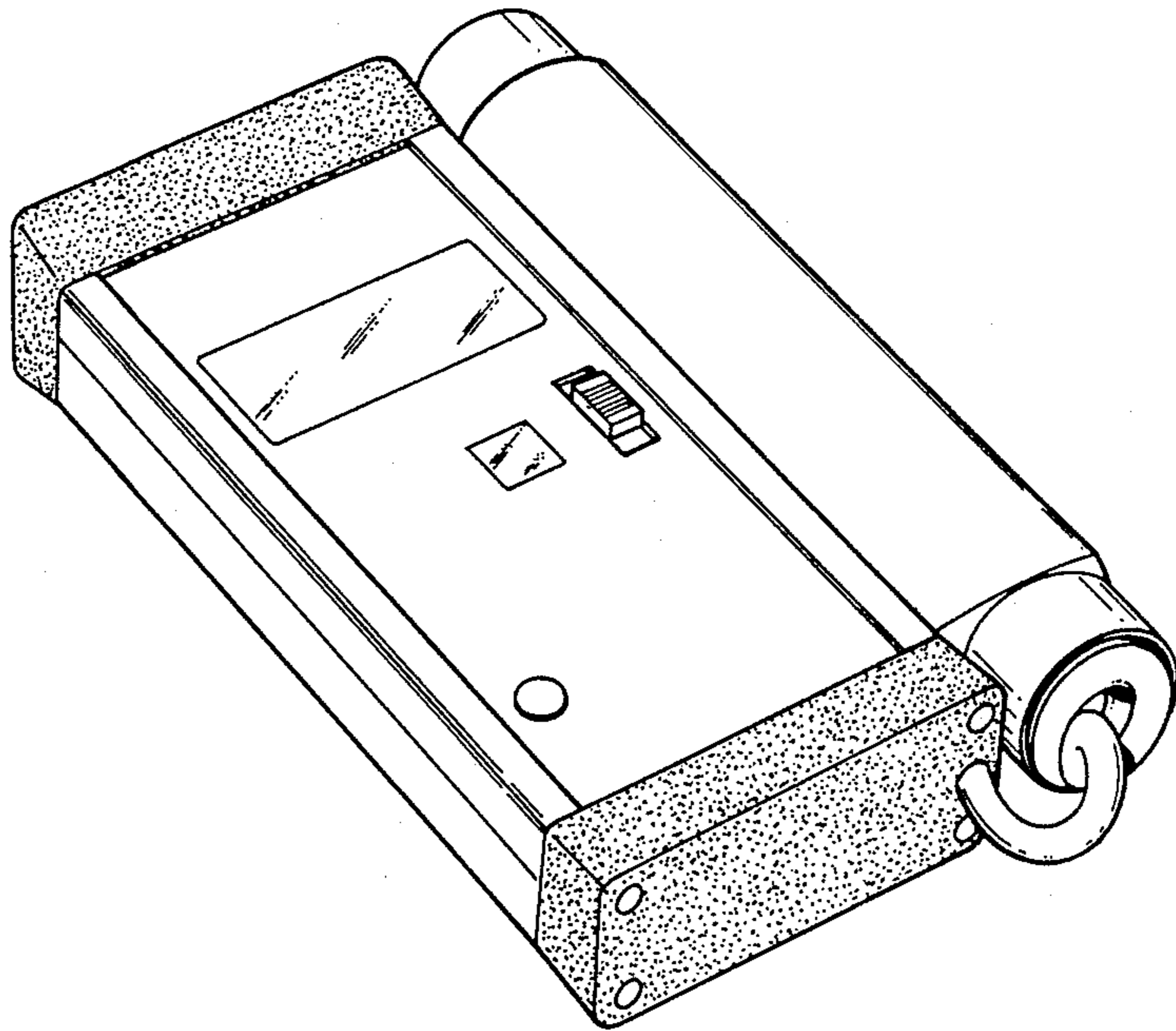


FIG. 1

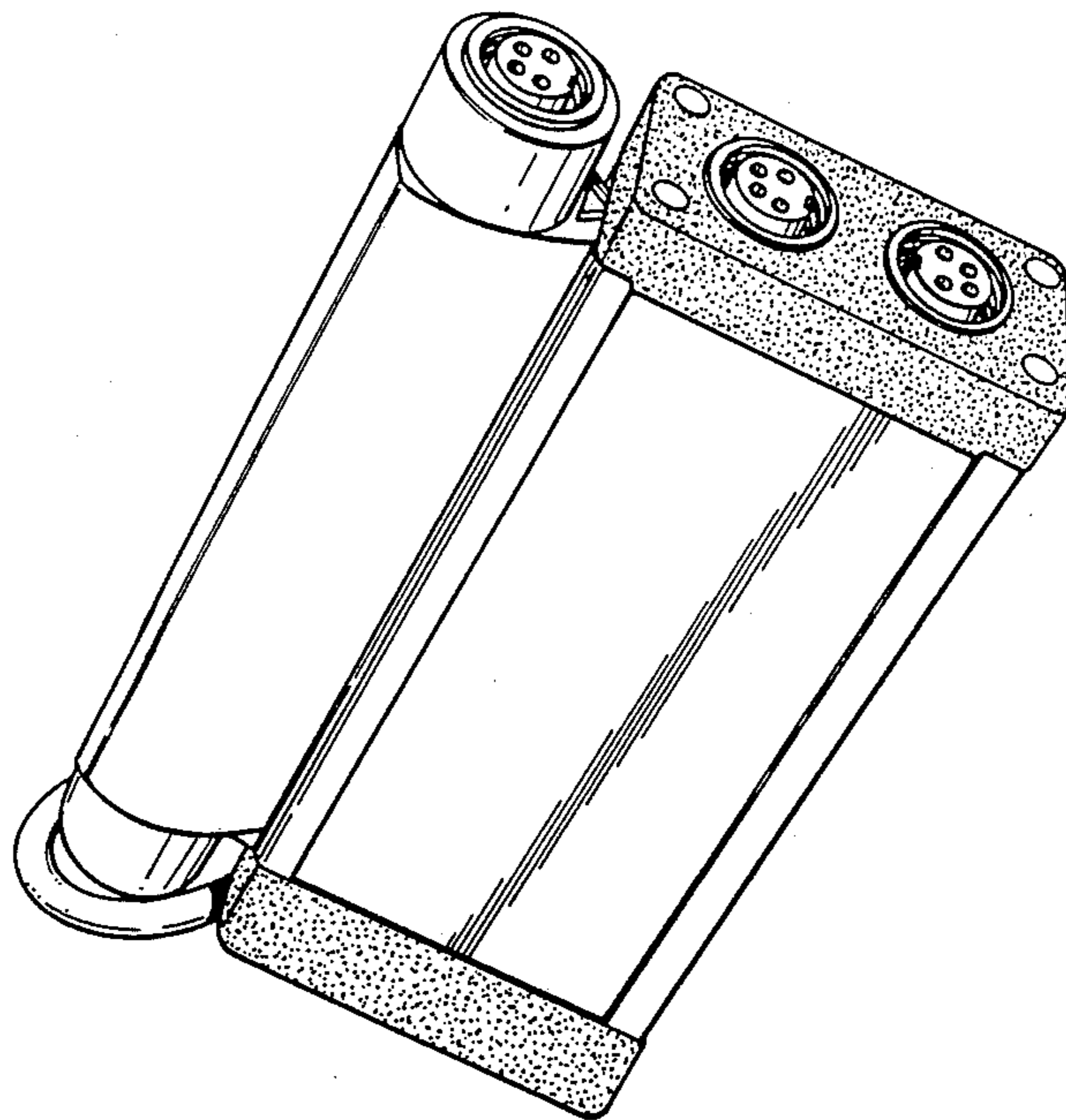


FIG. 2

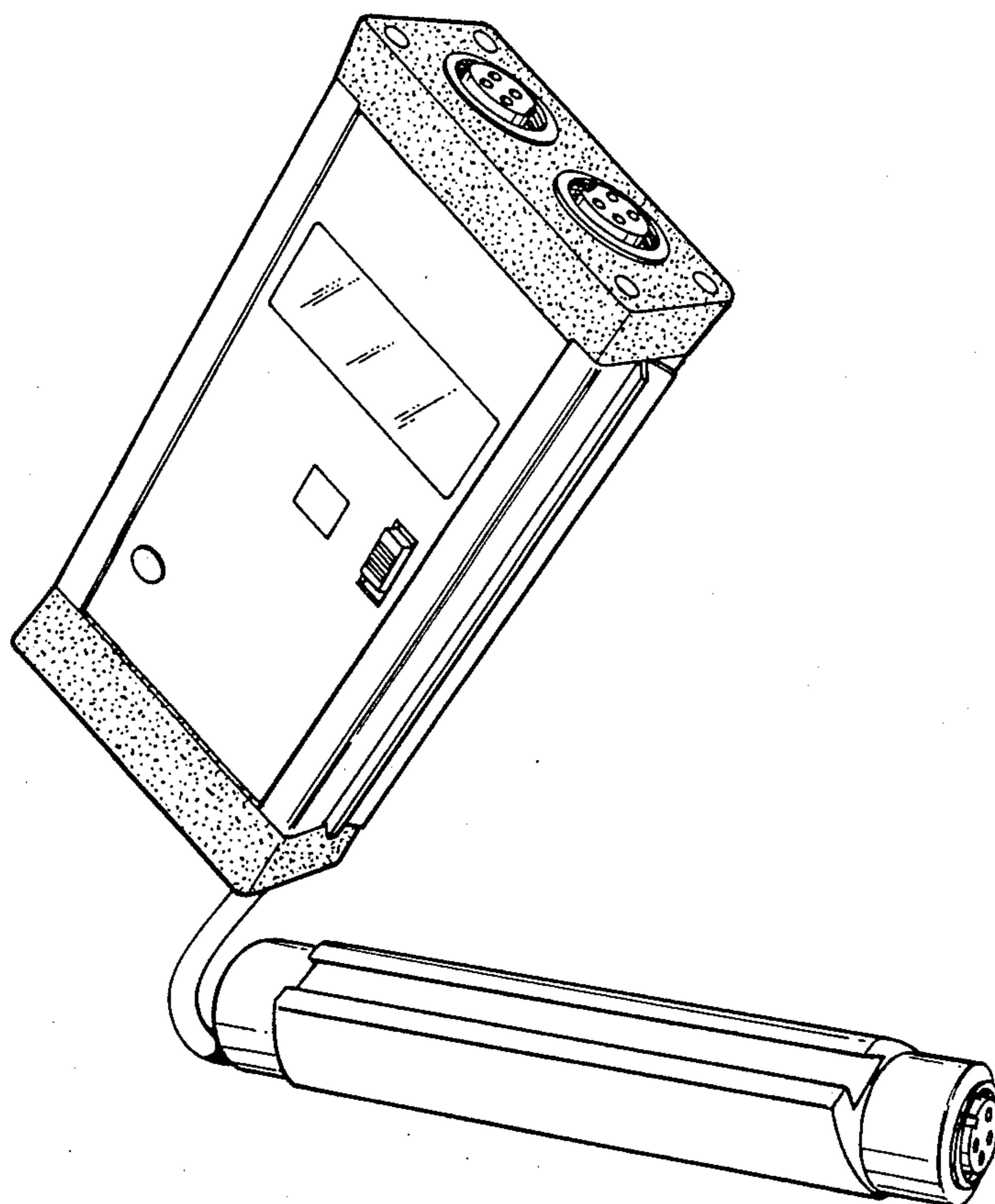


FIG. 3

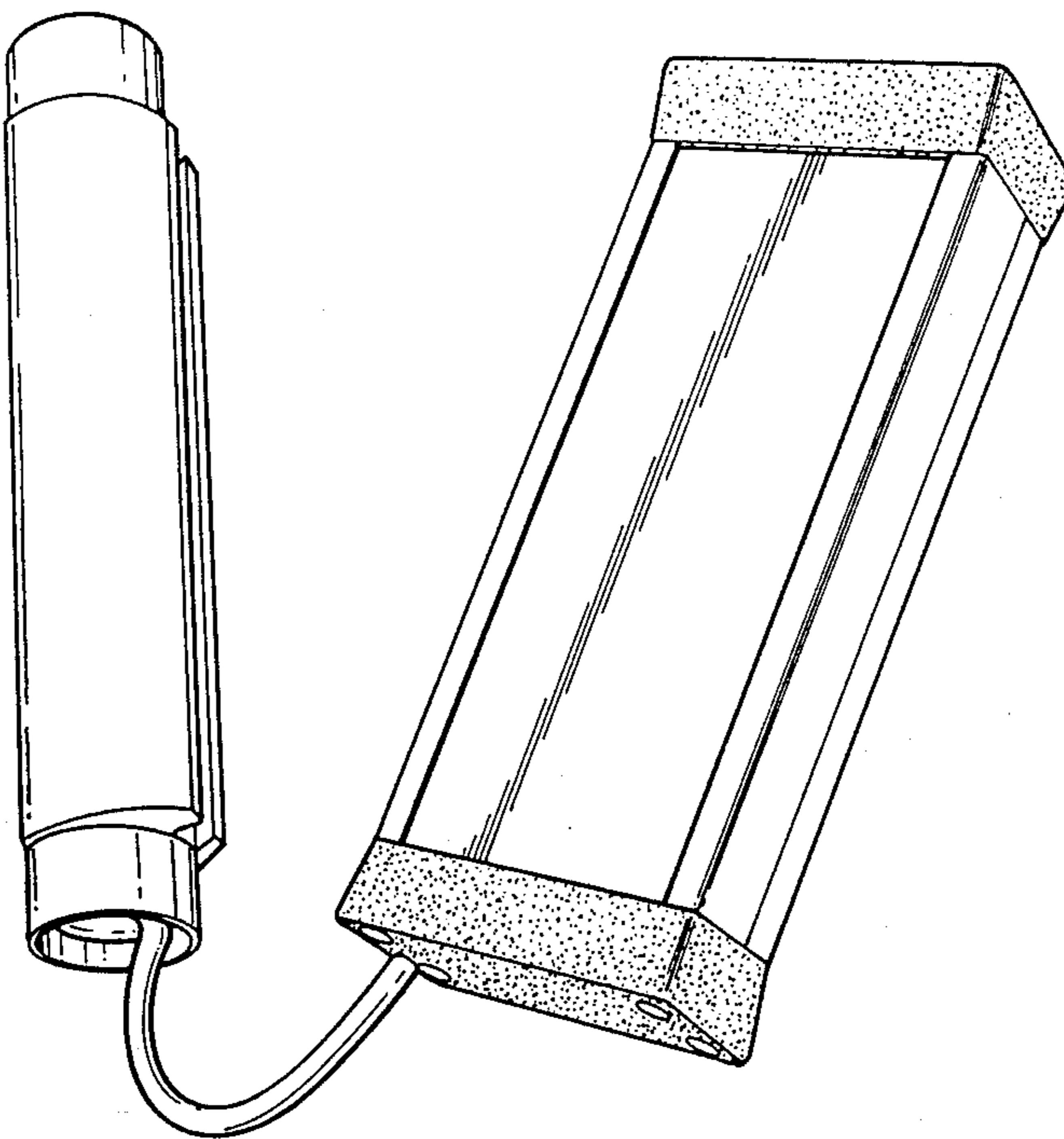


FIG. 4