

[54] HANDLE

[75] Inventors: Herbert V. Kohler, Jr., Kohler; William R. Davis, Kiel; Robert B. Sandman, Sheboygan, all of Wis.

[73] Assignee: Kohler Co., Kohler, Wis.

[**] Term: 14 Years

[21] Appl. No.: 766,442

[22] Filed: Aug. 19, 1985

[52] U.S. Cl. D8/307; D23/250

[58] Field of Search D23/238-243, D23/250-254; D8/300, 305, 307-312; 16/110, 188, 121

[56] References Cited

U.S. PATENT DOCUMENTS

D. 79,519	10/1929	Henderson .	
D. 184,506	3/1959	Borenstein	D50/6
D. 185,098	5/1959	Prescott	D50/3
D. 203,148	12/1965	Kaiser	D91/3
D. 224,225	7/1972	Doman	D23/28
D. 265,498	7/1982	Paul	D23/25
D. 276,065	10/1984	Stairs, Jr.	D23/250
D. 284,786	7/1986	Doman et al.	D23/250
D. 285,827	9/1986	Hill et al.	D23/238
D. 290,493	6/1987	Dragos	D23/28
3,024,555	3/1962	Abeles	16/118 X
4,626,454	12/1986	Sandman	428/13

OTHER PUBLICATIONS

Page 41 of a Mfg. & Novelty Co. catalog received in the Patent Office Jul. 1914.

Page 2 of an American Standard catalog dated 1983 entitled, "Faucet Styles that Fit Your Life Style".

A photocopy of a photograph showing an unidentified paper weight which is admitted as prior art.

A photocopy of the front page of a brochure by Eljer entitled, "Ceramica Companions".

One page photocopy entitled "Whisper Color Faucets", source unknown and admitted prior art.

Primary Examiner—James R. Largen

Attorney, Agent, or Firm—Quarles & Brady

[57] CLAIM

The ornamental design for a handle, as shown and described.

DESCRIPTION

FIG. 1 is a top perspective view of a handle showing our new design;

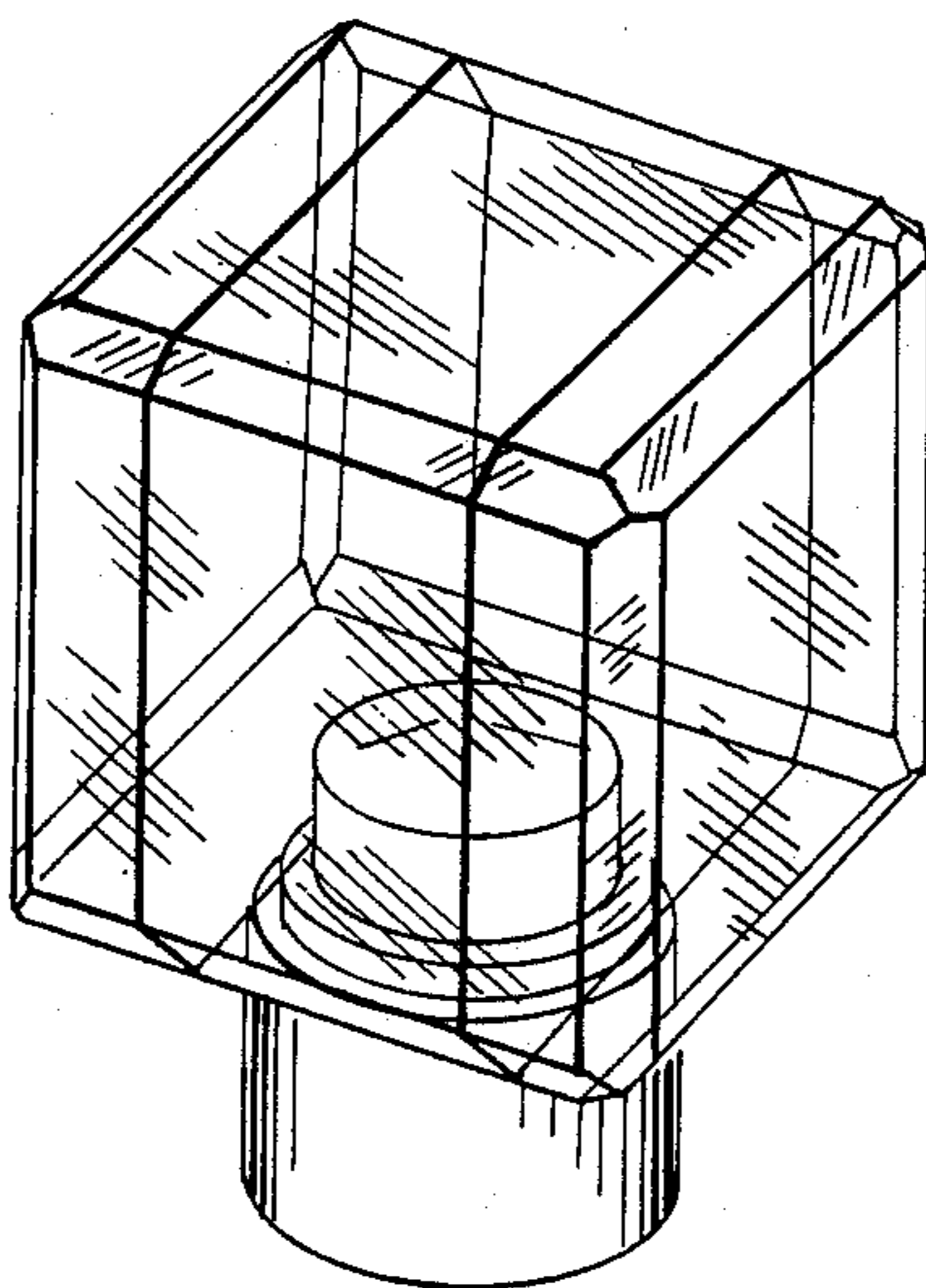
FIG. 2 is a top plan view thereof;

FIG. 3 is a front elevational view thereof, the rear being the same as the front shown;

FIG. 4 is a side elevational view thereof, the opposite side being the same as the side shown; and

FIG. 5 is a bottom plan view thereof.

The characteristic feature of our design reside in the internal wall structures which create a different visual effect with respect to the outer faces of the handle when viewed from various positions.



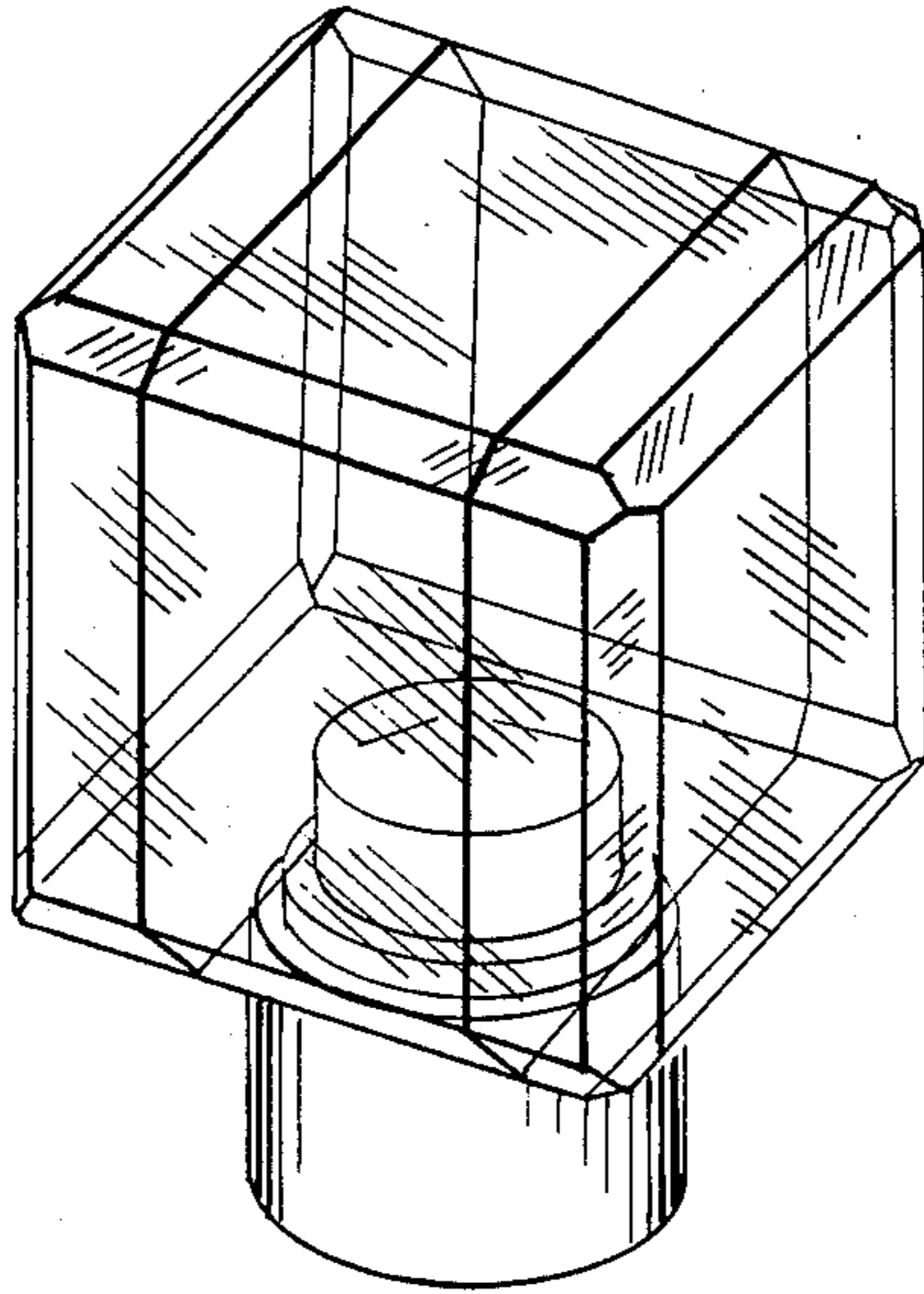


FIG. 1

FIG. 2

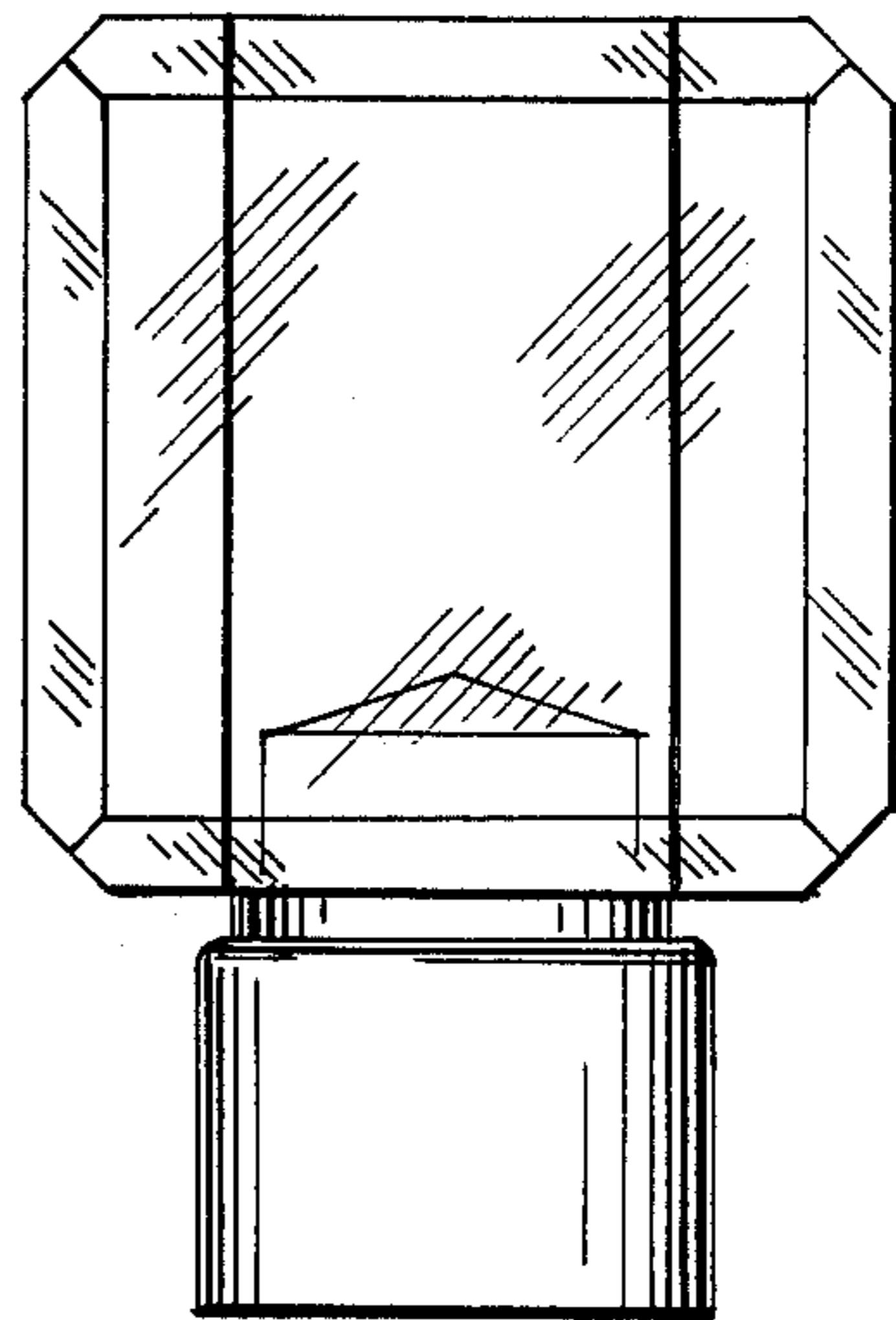
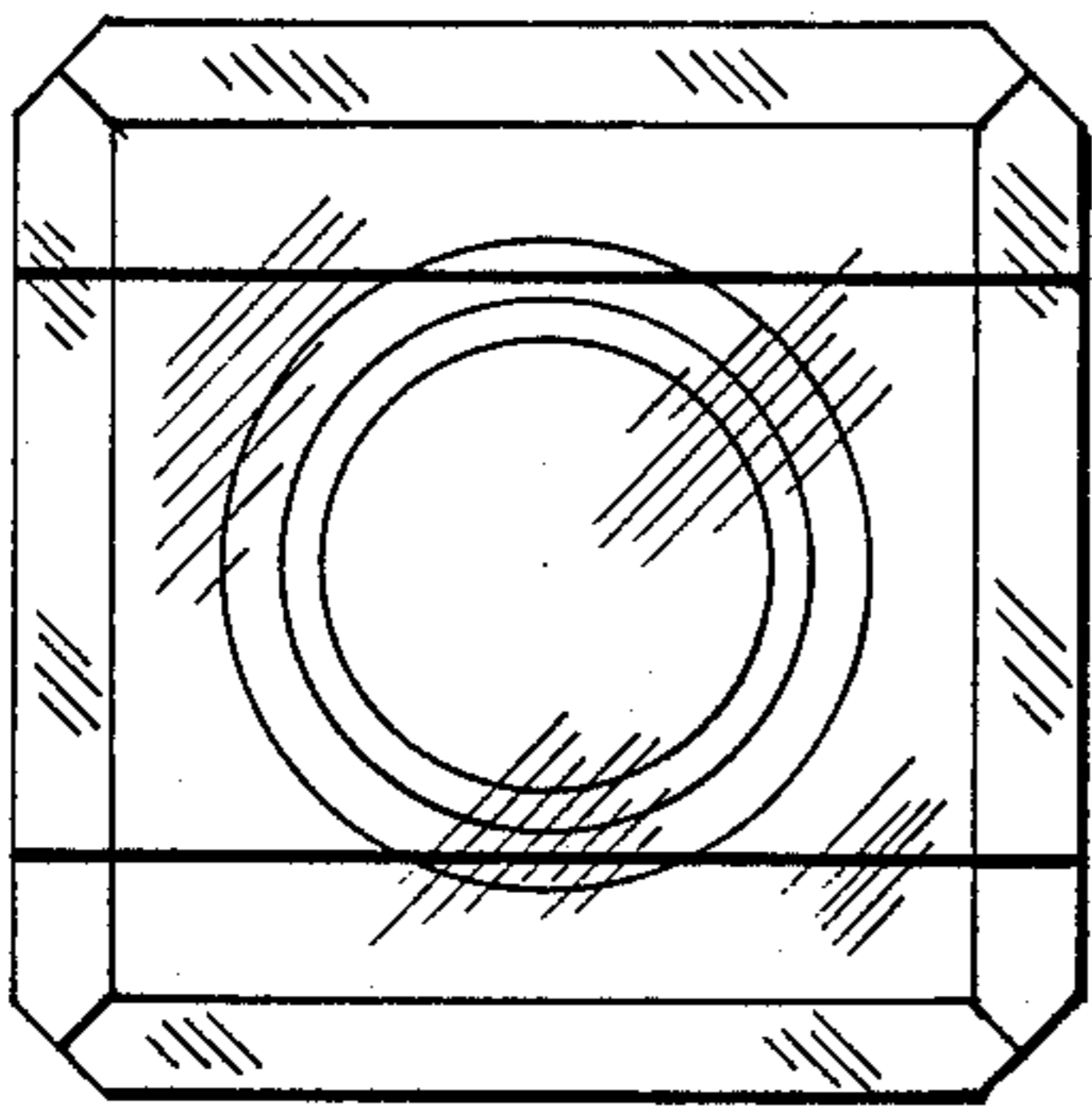


FIG. 3

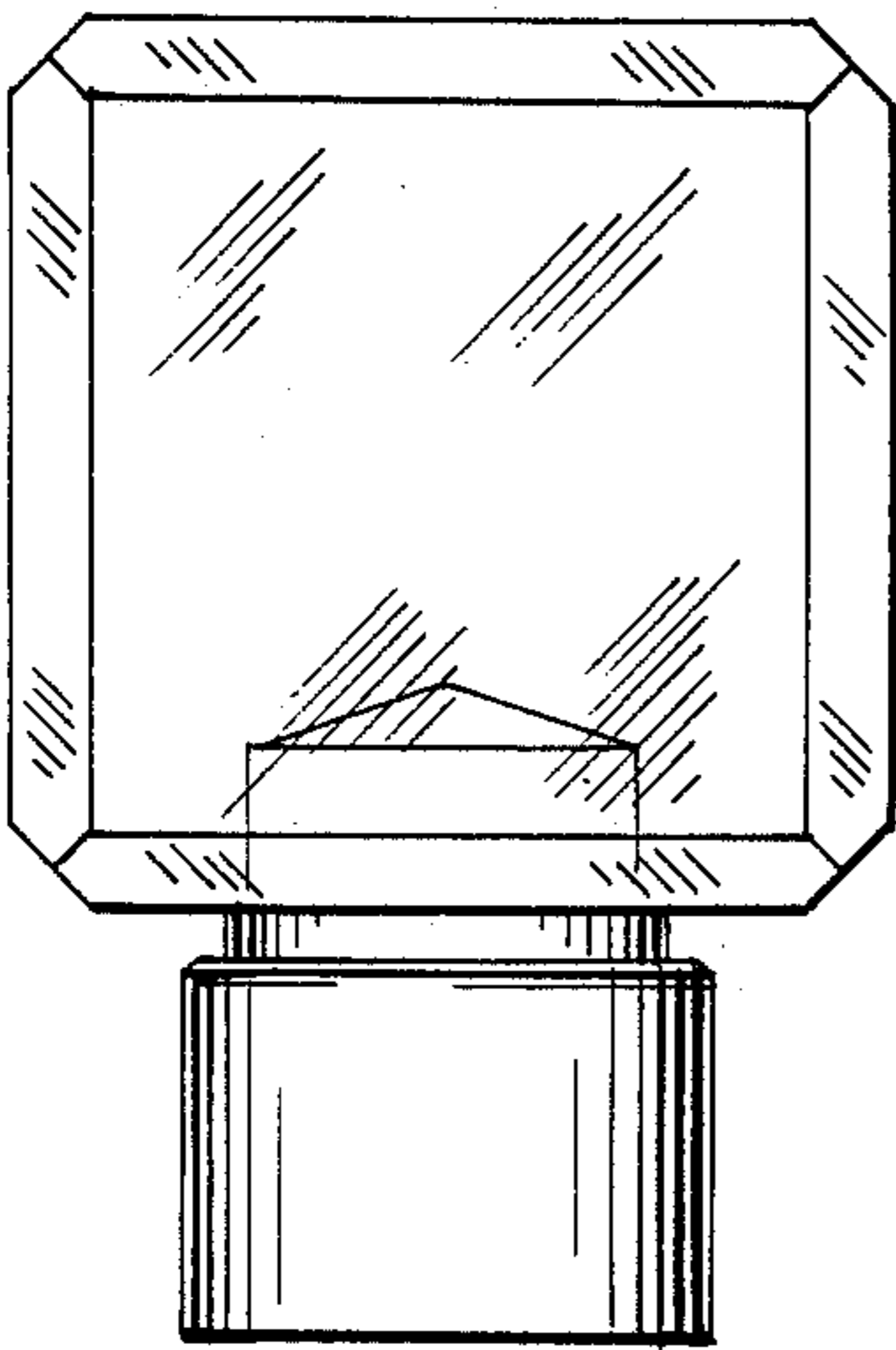


FIG. 4

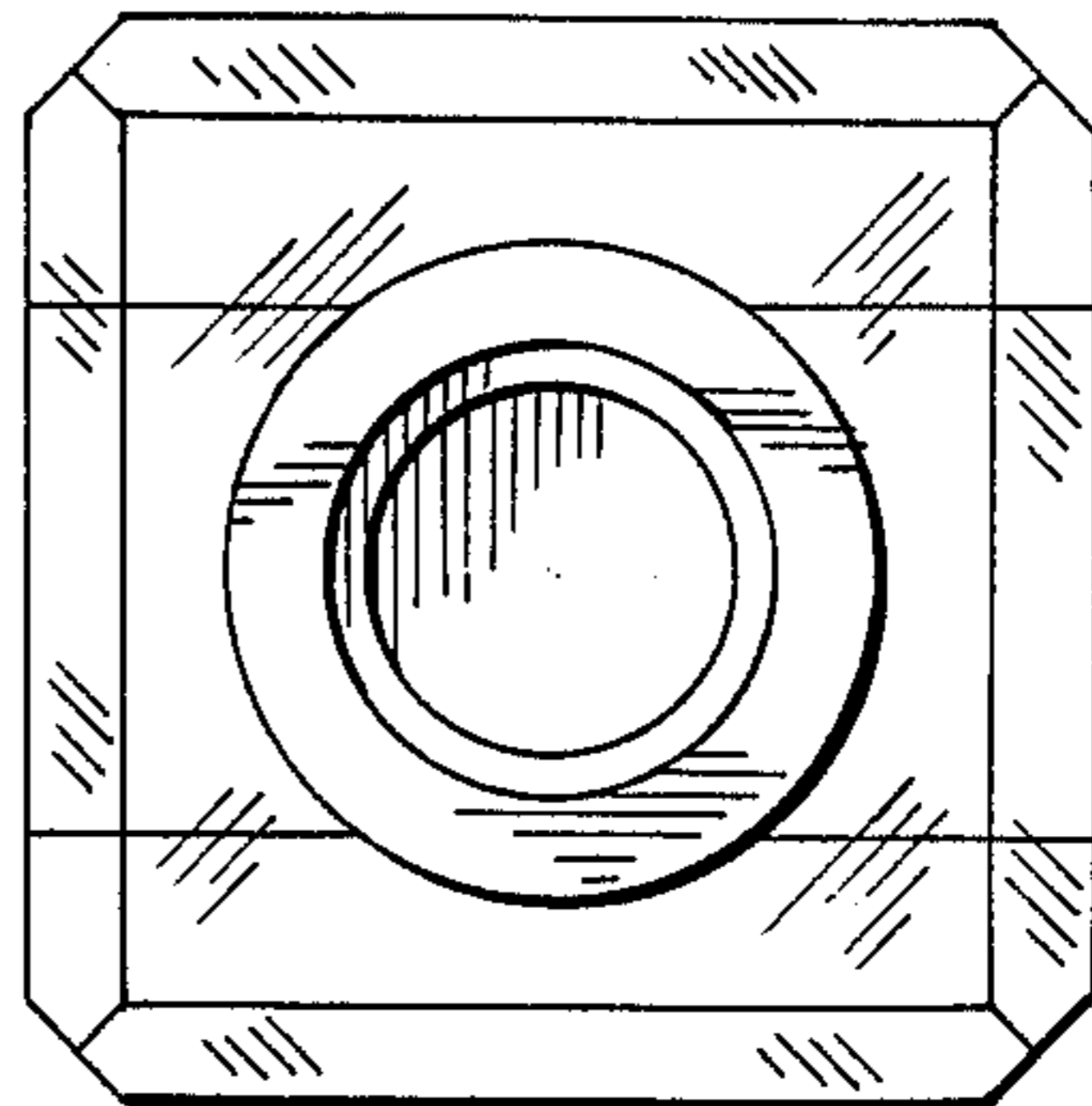


FIG. 5