

[54] **PLANT SUPPORT**

[75] **Inventor: David E. Dyke, Vincent, Ohio**

[73] **Assignee: Dyke's Berry Farm, Vincent, Ohio**

[**] **Term: 14 Years**

[21] **Appl. No.: 911,305**

[22] **Filed: Sep. 24, 1986**

[52] **U.S. Cl. D8/1**

[58] **Field of Search D8/1; 47/42-47**

[56] **References Cited**

U.S. PATENT DOCUMENTS

499,520	6/1893	Cook	47/43
533,901	2/1895	Hutchison	47/43
1,781,316	11/1930	Brooks	D8/1 X
2,000,911	5/1935	Balousek	47/43 X
3,061,976	11/1962	Carroll et al.	D8/1 X
4,519,162	5/1985	Stuckey	47/47

Primary Examiner—Wallace R. Burke
Assistant Examiner—Brian N. Vinson

Attorney, Agent, or Firm—Oblon, Fisher, Spivak,
McClelland & Maier

[57] **CLAIM**

The ornamental design for a plant support, as shown and described.

DESCRIPTION

FIG. 1 is a front elevational view of a plant support showing my new design, the opposite and adjacent sides being substantially similar in appearance;
FIG. 2 is an enlarged front elevational view of the top portion thereof;
FIG. 3 is an enlarged top perspective view of the top portion thereof;
FIG. 4 is an enlarged left side elevational view of the top portion thereof;
FIG. 5 is a right side view of the embodiment of FIG. 2;
FIG. 6 is an enlarged rear elevational view of the top portion thereof;
FIG. 7 is an enlarged top plan view thereof; and
FIG. 8 is an enlarged top plan view of an alternate embodiment thereof, the only difference residing in the configuration of the support strap.

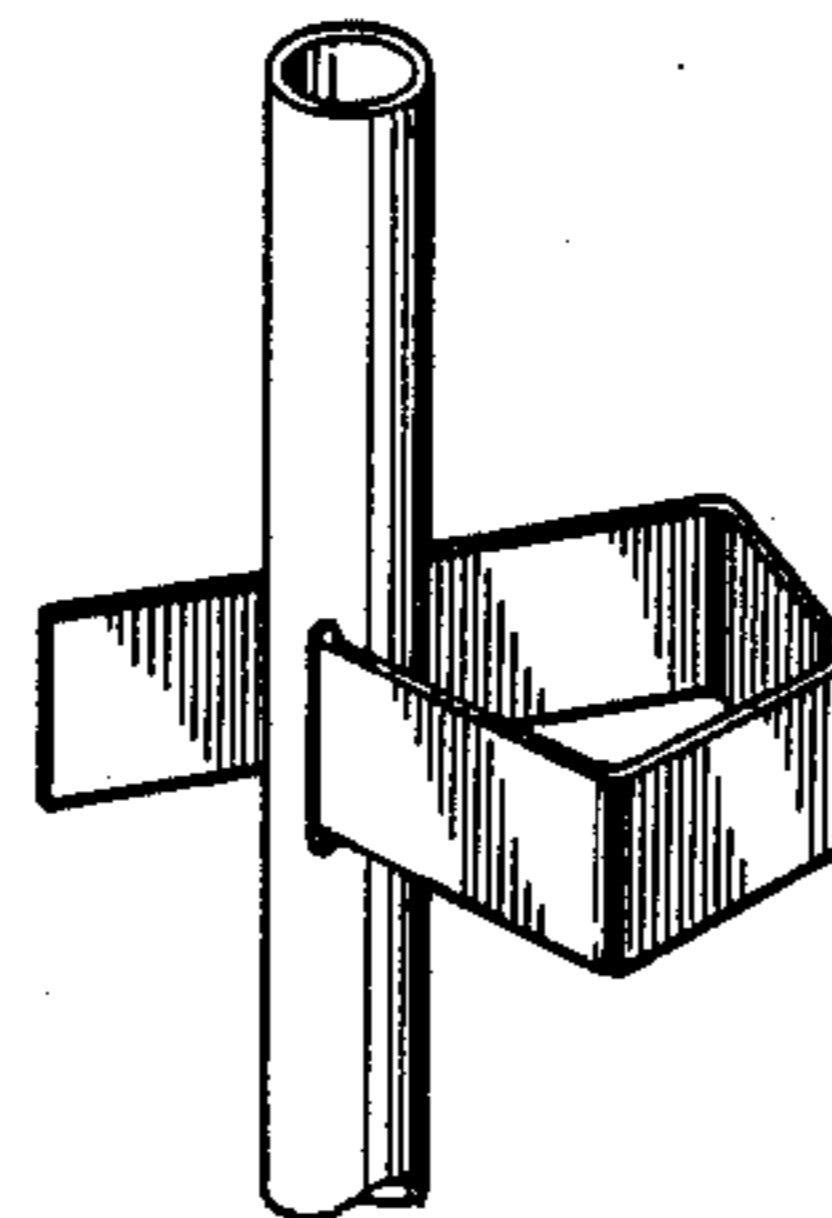




FIG. 1

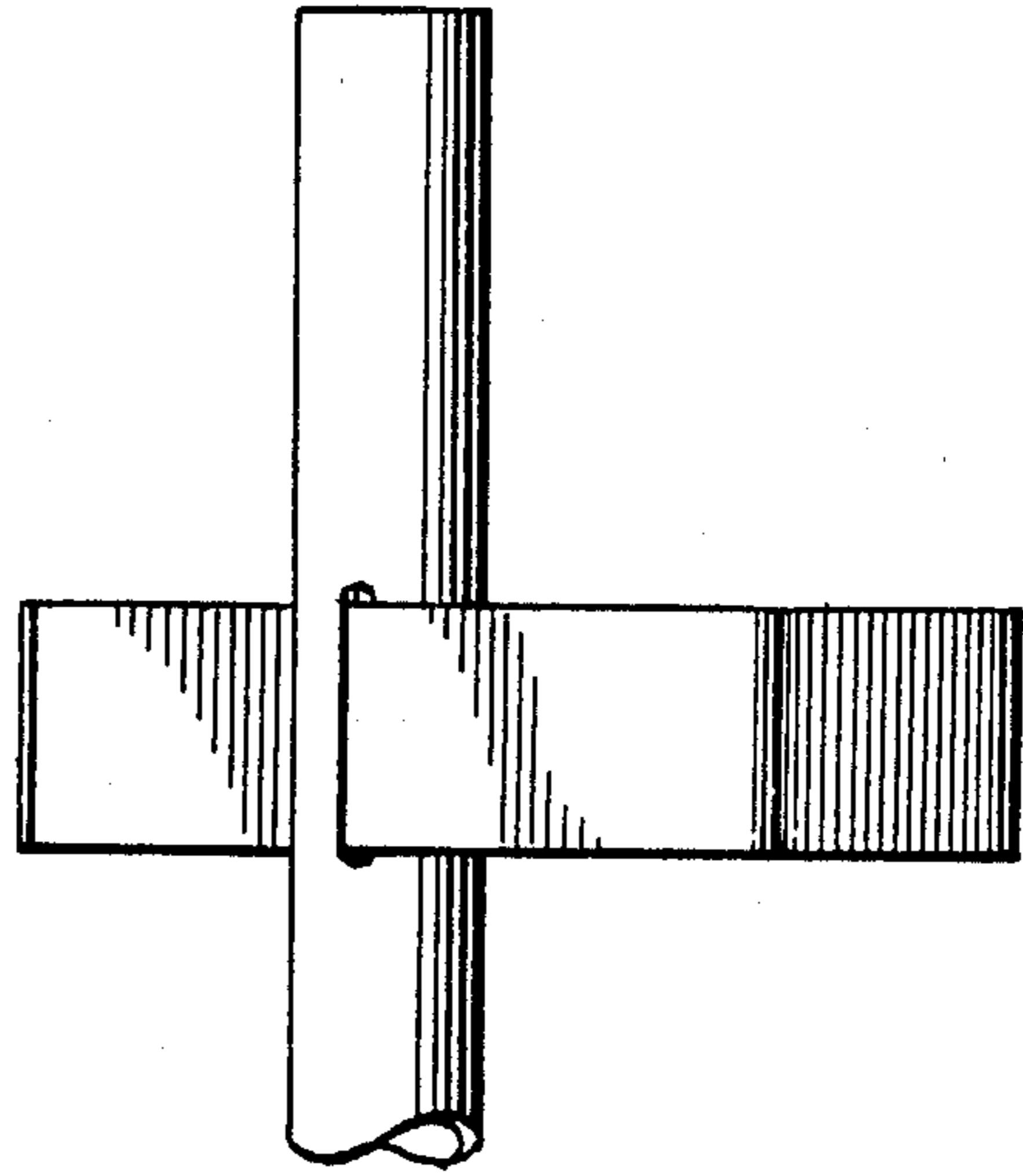


FIG. 2

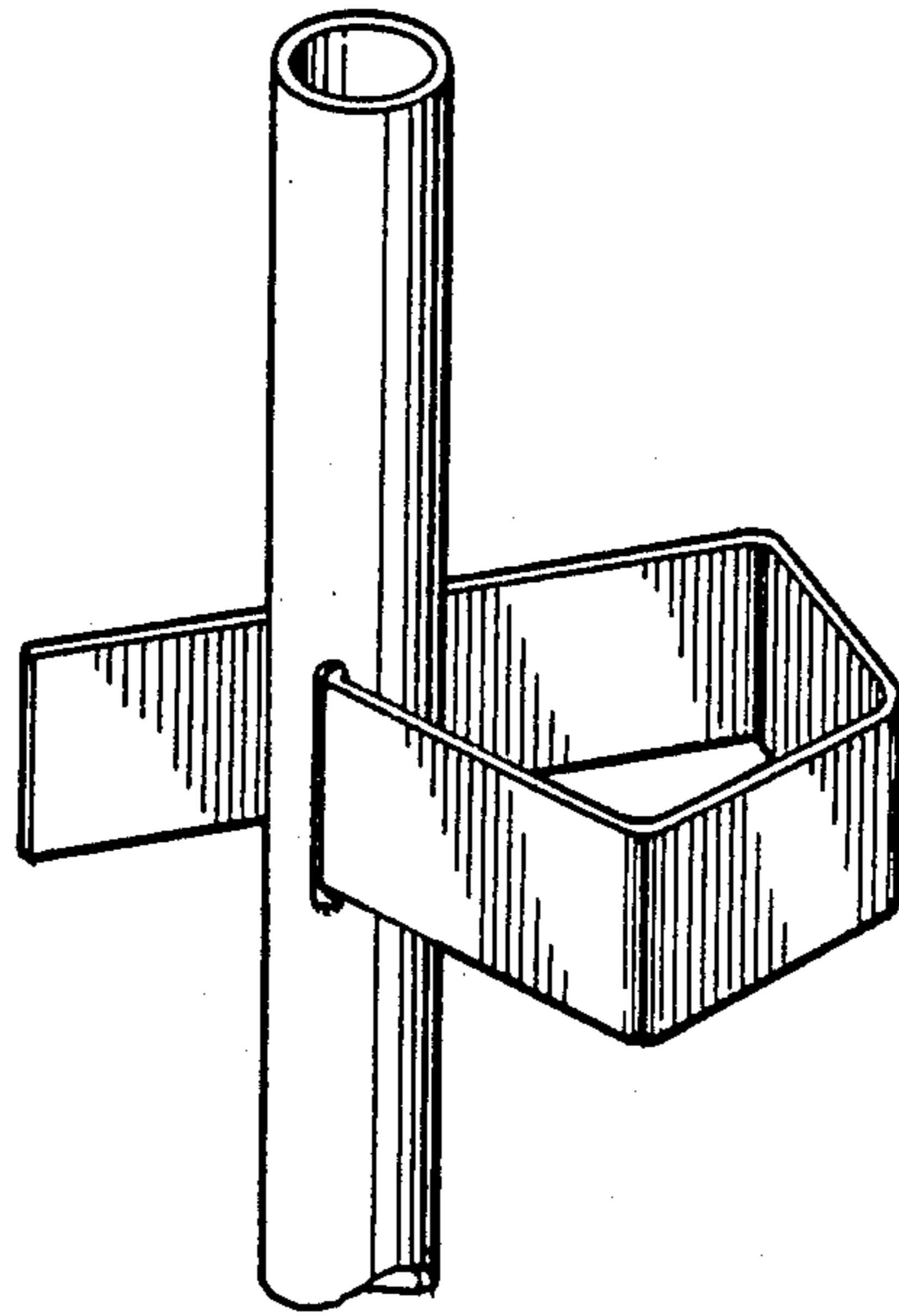


FIG. 3

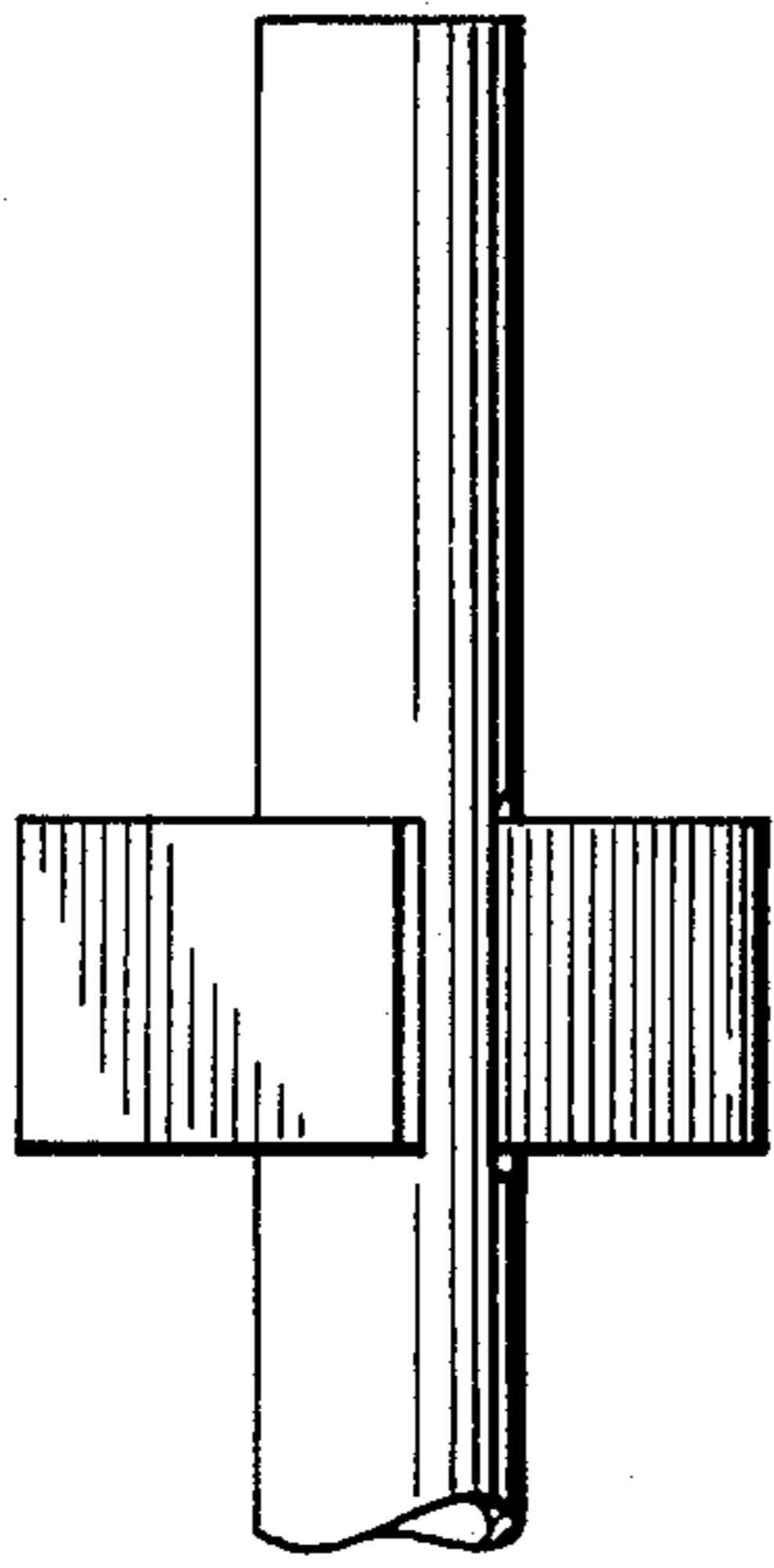


FIG. 4

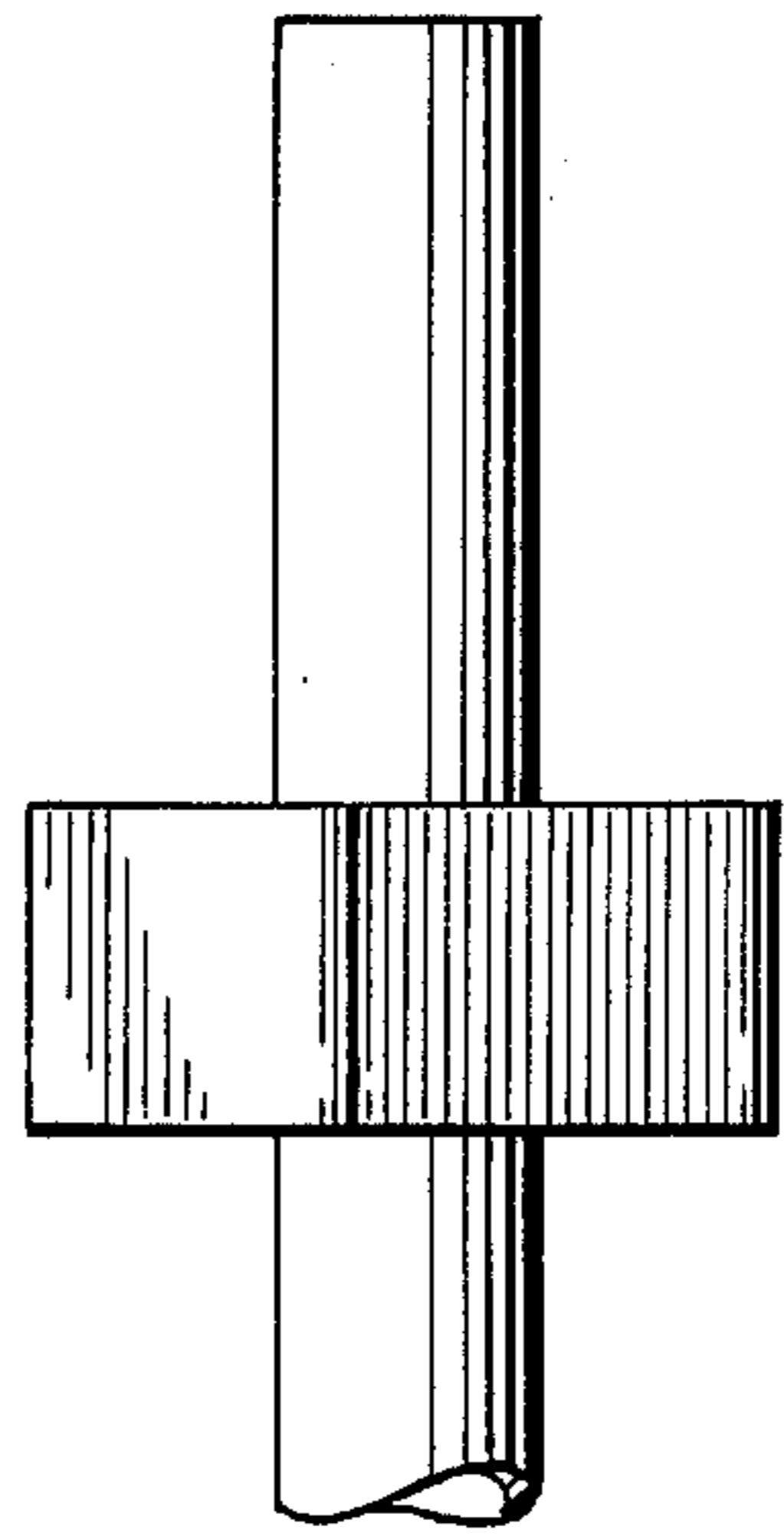


FIG. 5

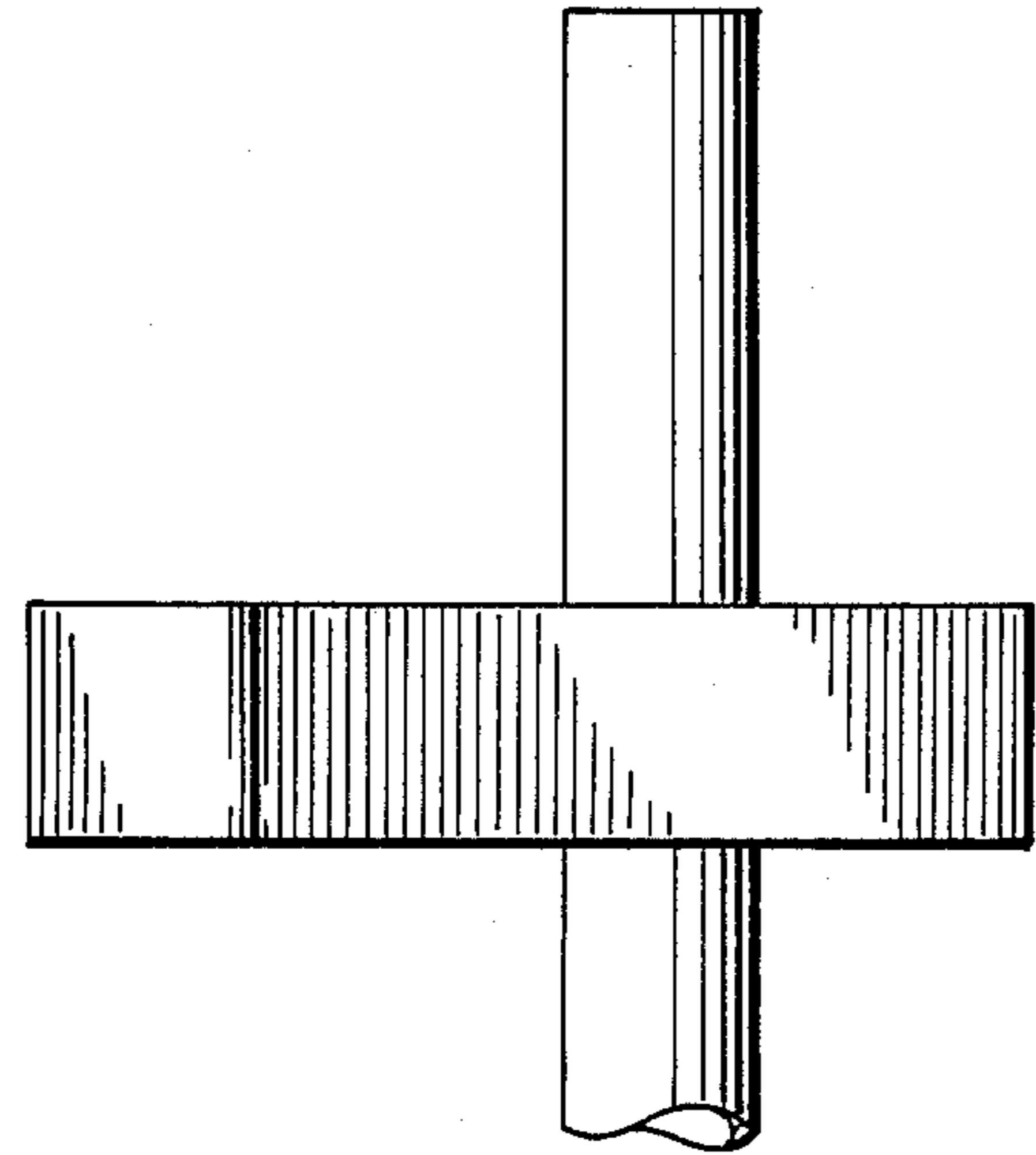


FIG. 6

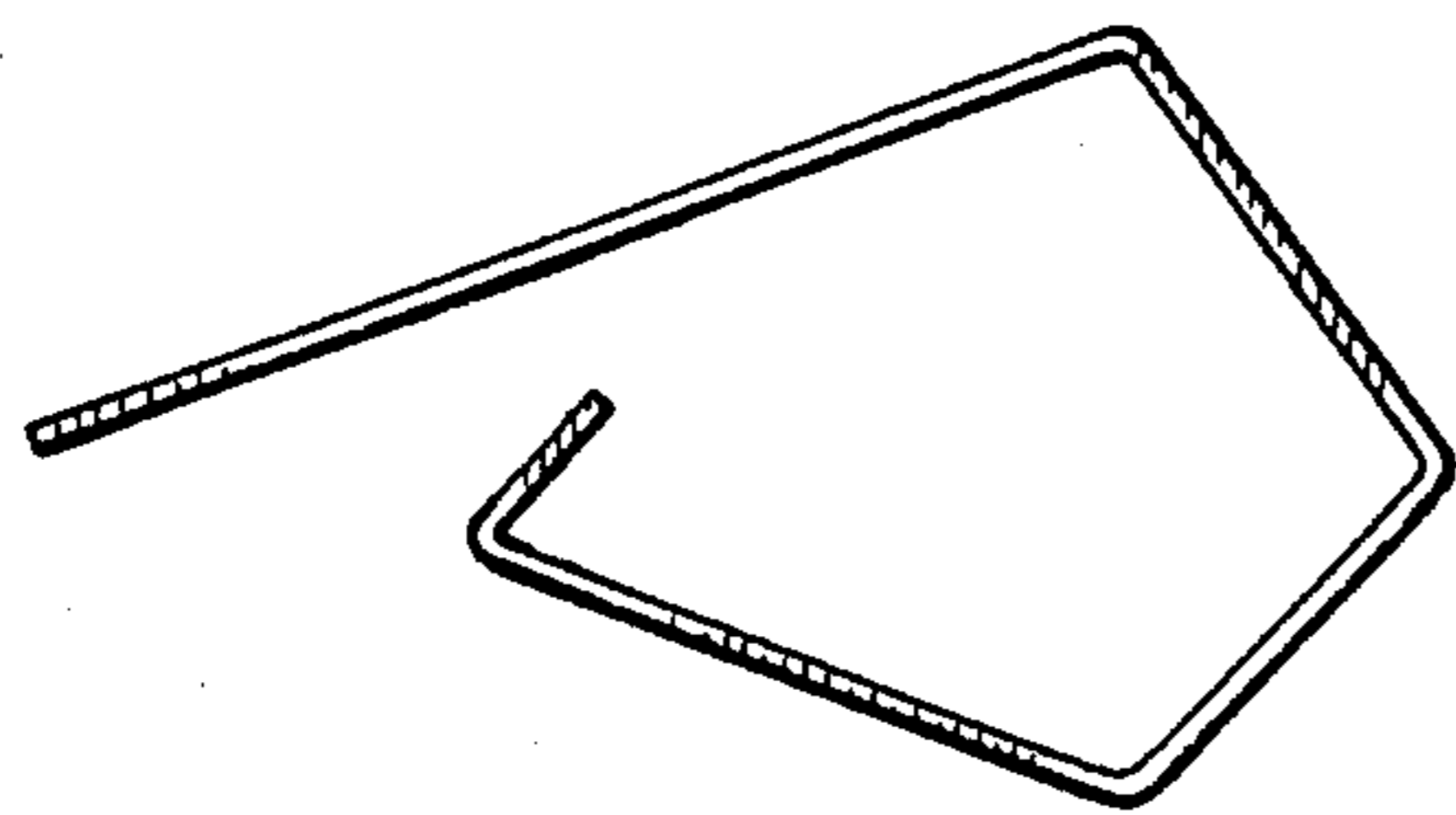


FIG. 7

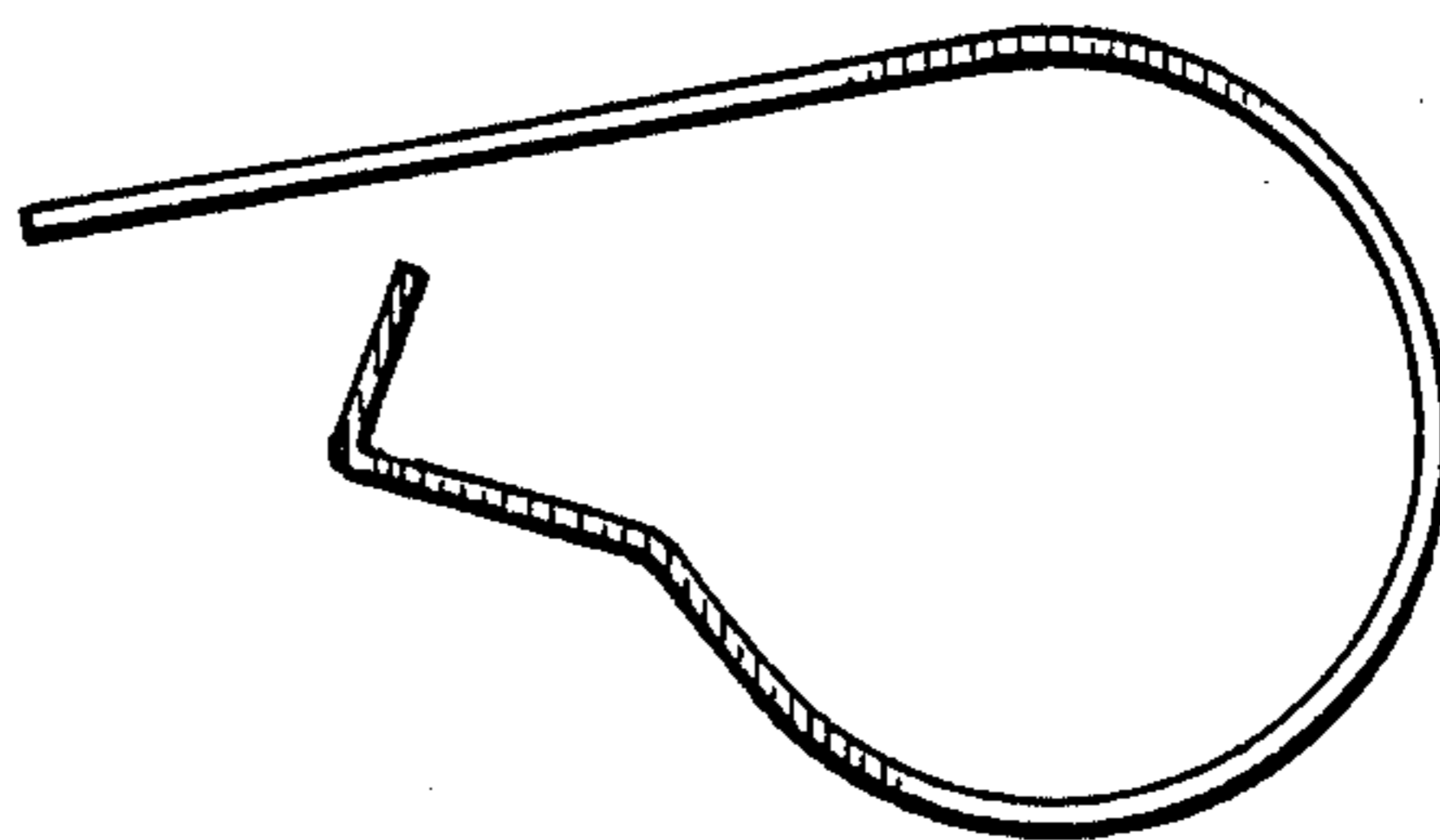


FIG. 8