

[54] MICROWAVE OVEN

[56] References Cited

[75] Inventors: Katsutoshi Kido, Kyoto; Masayoshi Kubo, Nara; Masuo Ichihara, Nara; Hisayoshi Matoba, Nara; Kensuke Mizuma, Nara, all of Japan

U.S. PATENT DOCUMENTS

- D. 262,088 12/1981 Yamamura et al. .... D7/351
- D. 287,925 1/1987 Kubo et al. .... D7/351
- D. 295,357 4/1988 Kubo et al. .... D7/351
- D. 295,358 4/1988 Kubo et al. .... D7/351
- D. 295,822 5/1988 Kubo et al. .... D7/351

[73] Assignee: Matsushita Electric Industrial Co., Ltd., Osaka, Japan

Primary Examiner—Wallace R. Burke  
Assistant Examiner—Ruth Takemoto  
Attorney, Agent, or Firm—Sughrue, Mion, Zinn, Macpeak & Seas

[\*\*] Term: 14 Years

[57] CLAIM

[21] Appl. No.: 862,431

The ornamental design for a microwave oven, as shown and described.

[22] Filed: May 8, 1986

DESCRIPTION

[30] Foreign Application Priority Data

Nov. 8, 1985 [JP] Japan ..... 60-47002

[52] U.S. Cl. .... D7/351

[58] Field of Search ..... D7/348-351;

219/10.55 R-10.55 M

FIG. 1 is a front, top and right side perspective view of a microwave oven showing our new design;  
FIG. 2 is a rear, bottom and left side perspective view thereof;  
FIG. 3 is a top plan view thereof; and  
FIG. 4 is a right side elevational view thereof.

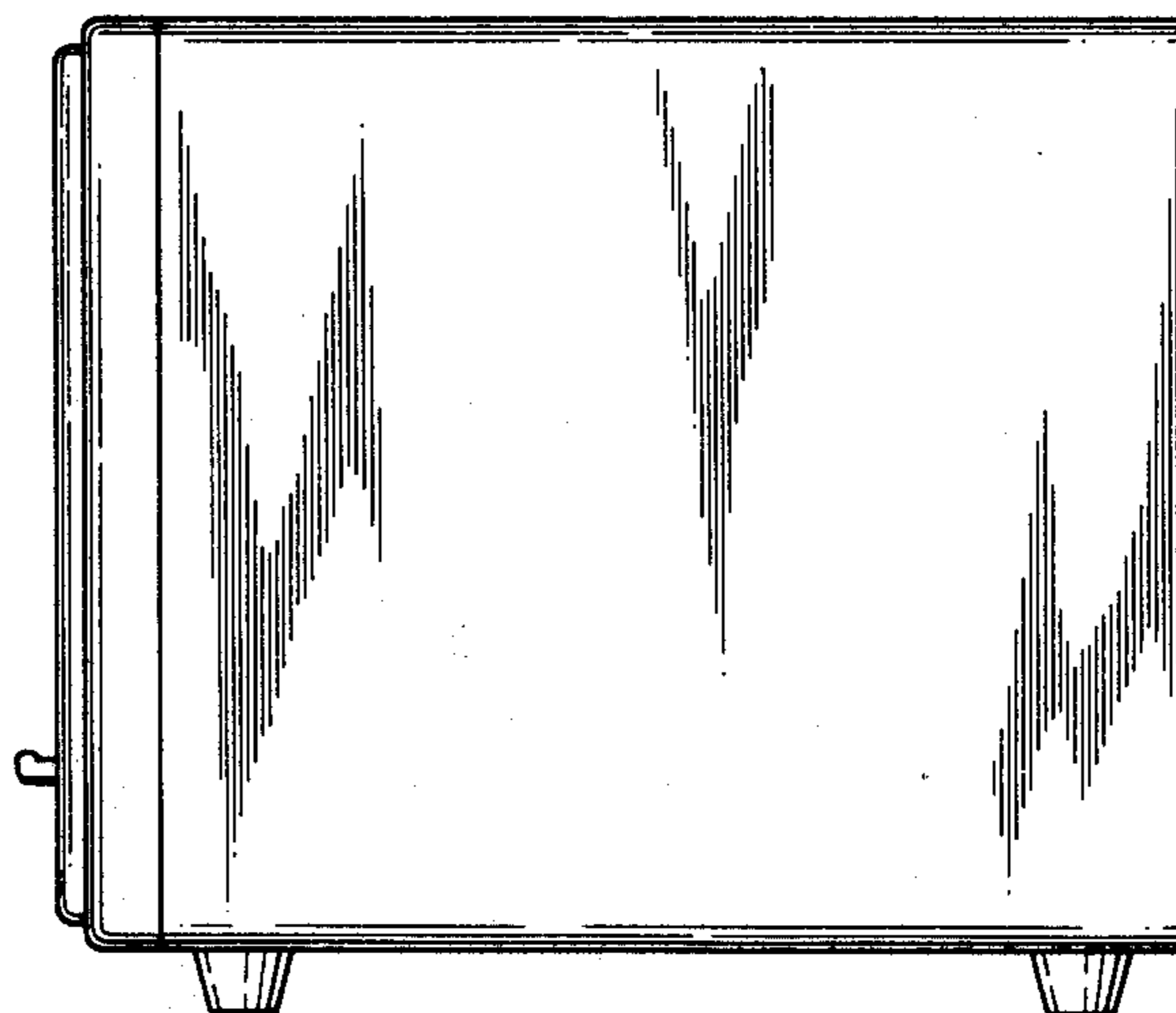
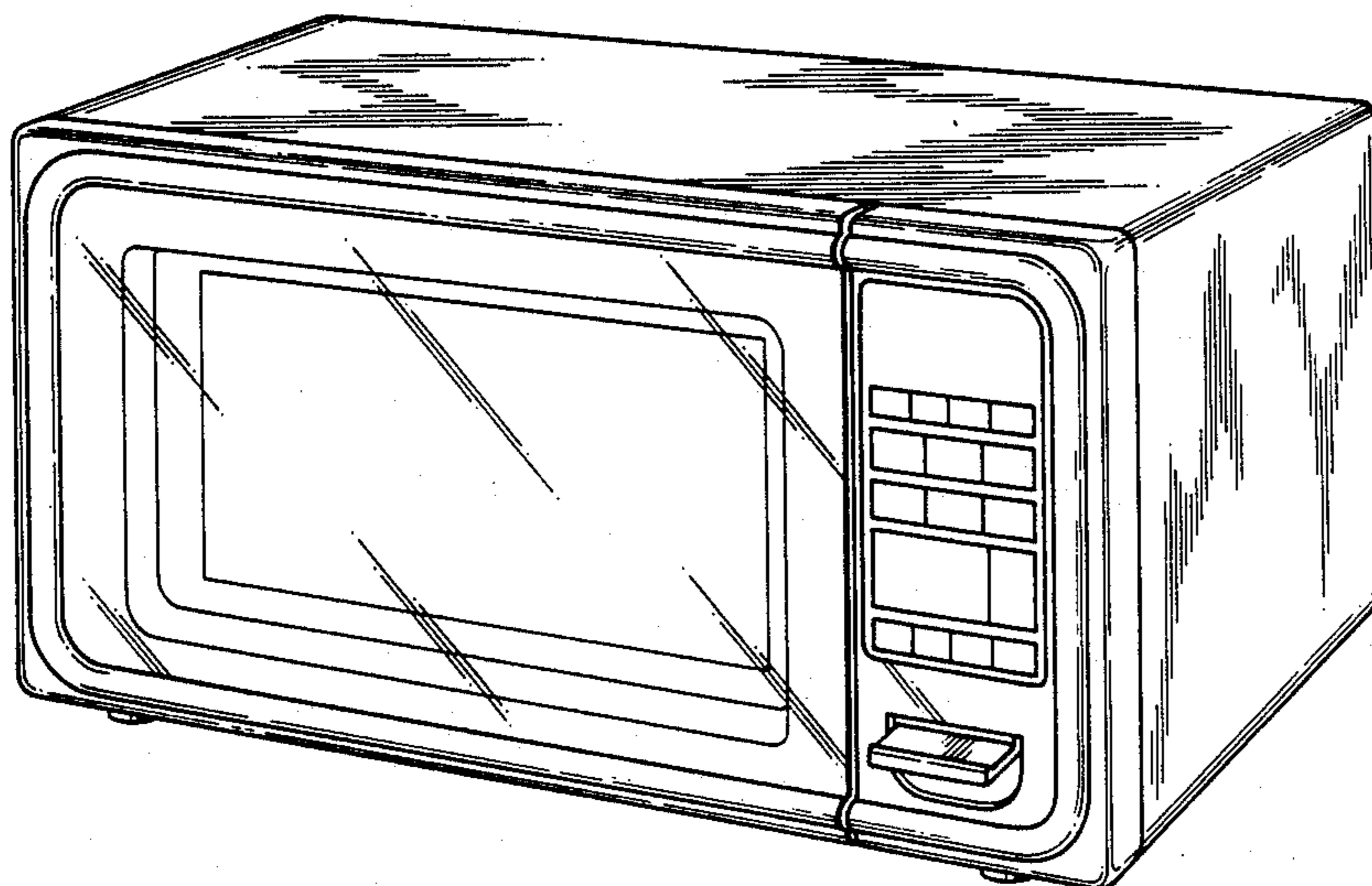


FIG. 1

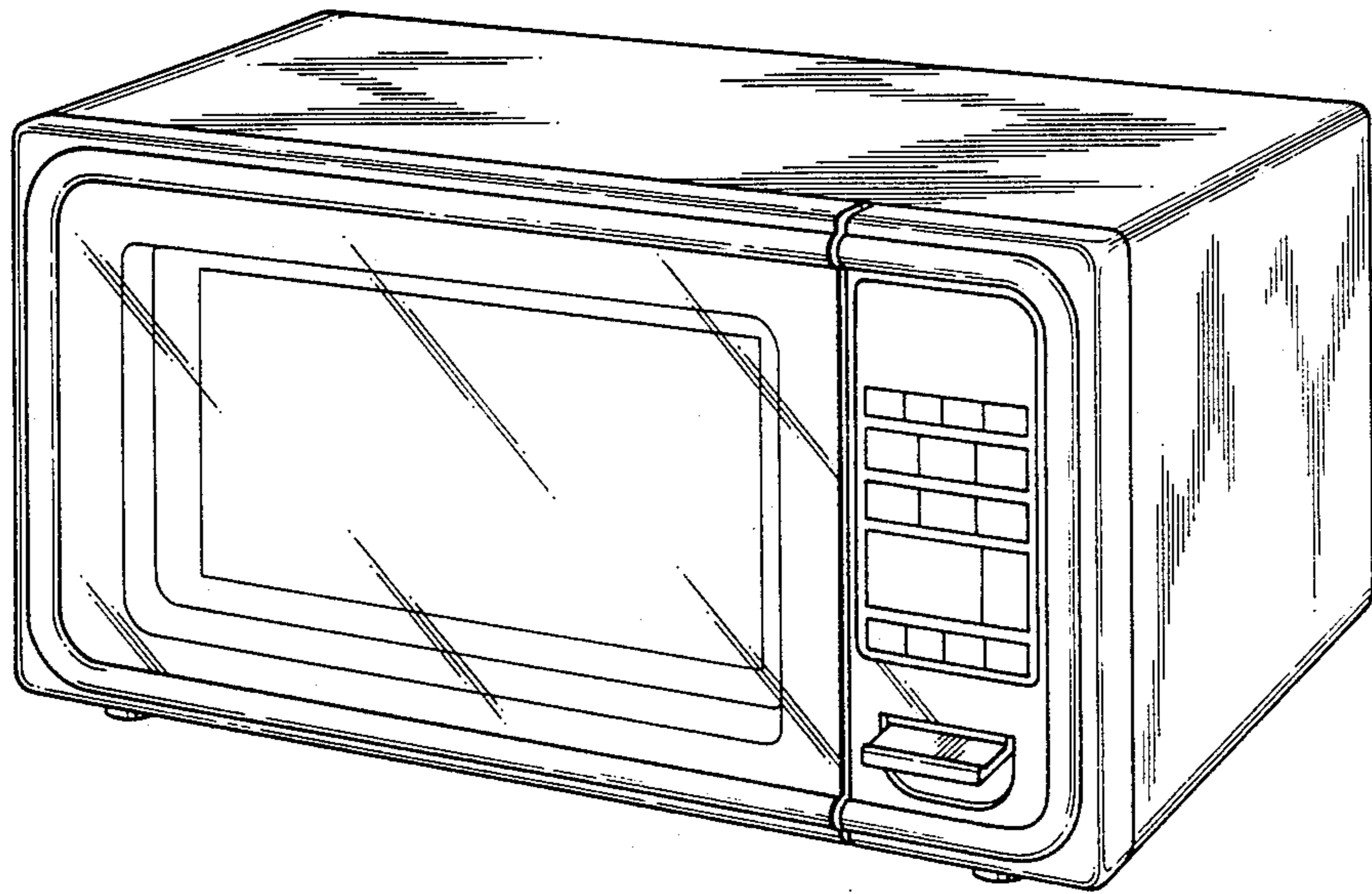


FIG. 2

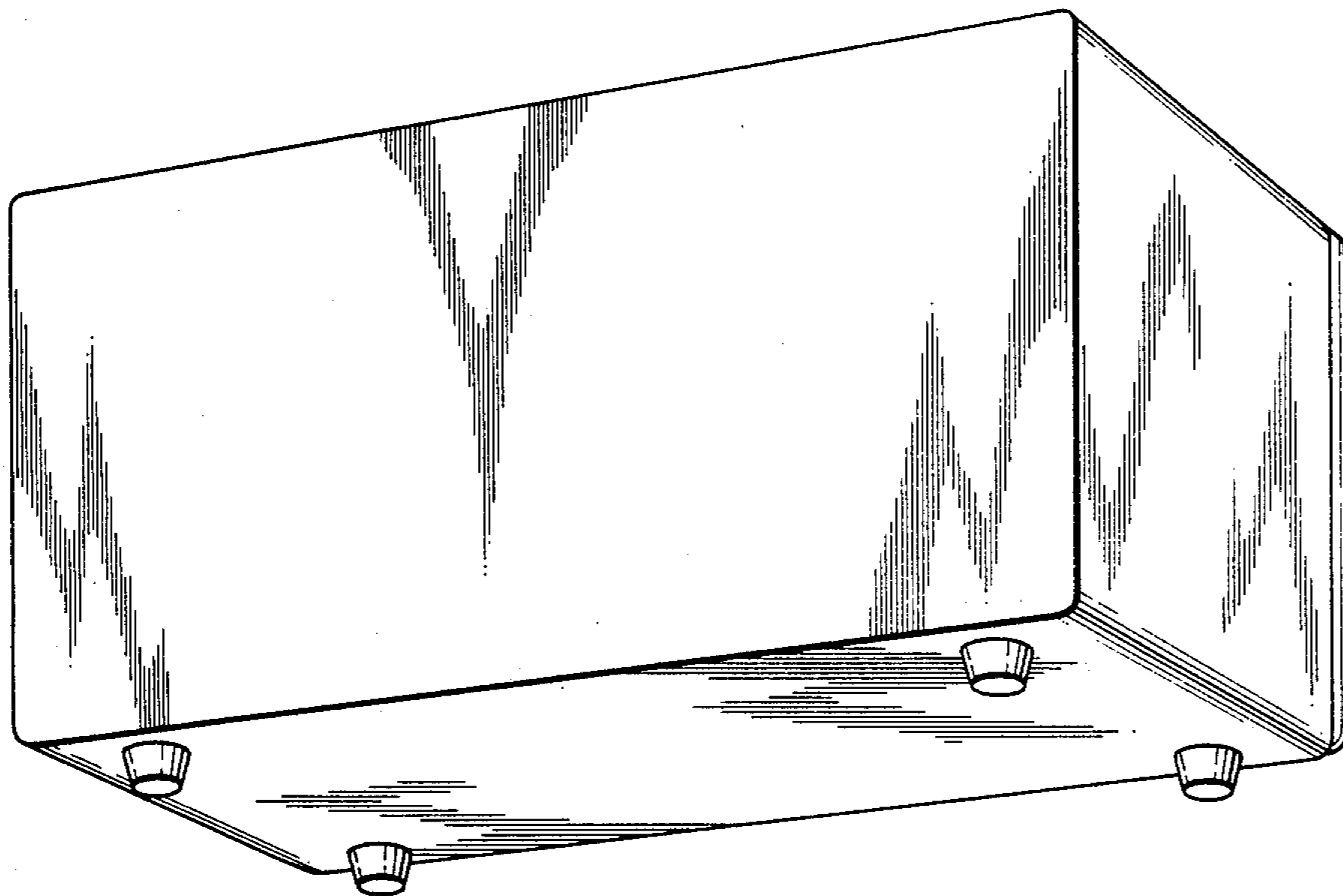


FIG. 3

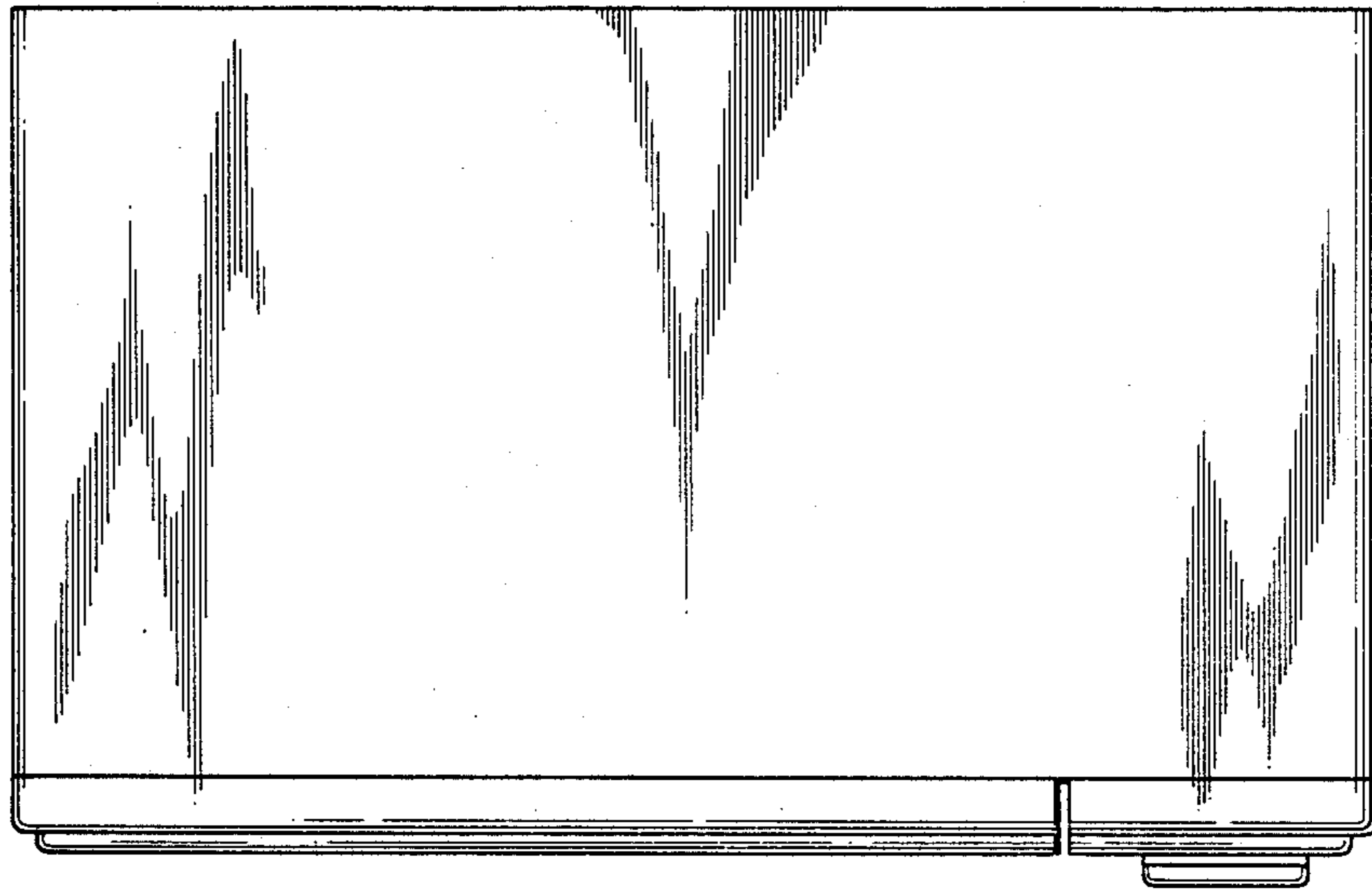


FIG. 4

