

[54] **PERMANENT WAVE TISSUE DISPENSER**
[76] **Inventor: Phillip A. McCrorry, 3203 Westheimer Dr., Apt. 1, Huntsville, Ala. 35805**
[**] **Term: 14 Years**
[21] **Appl. No.: 867,743**
[22] **Filed: May 27, 1986**
[52] **U.S. Cl. D6/518**
[58] **Field of Search D6/512, 515, 518-519, D6/522-523; 206/389; 221/191; 222/173, 167; 242/55.2, 55.53; 312/39**

4,324,345 4/1982 Martinez D6/518 X

Primary Examiner—Wallace R. Burke
Assistant Examiner—Brian N. Vinson
Attorney, Agent, or Firm—C. A. Phillips

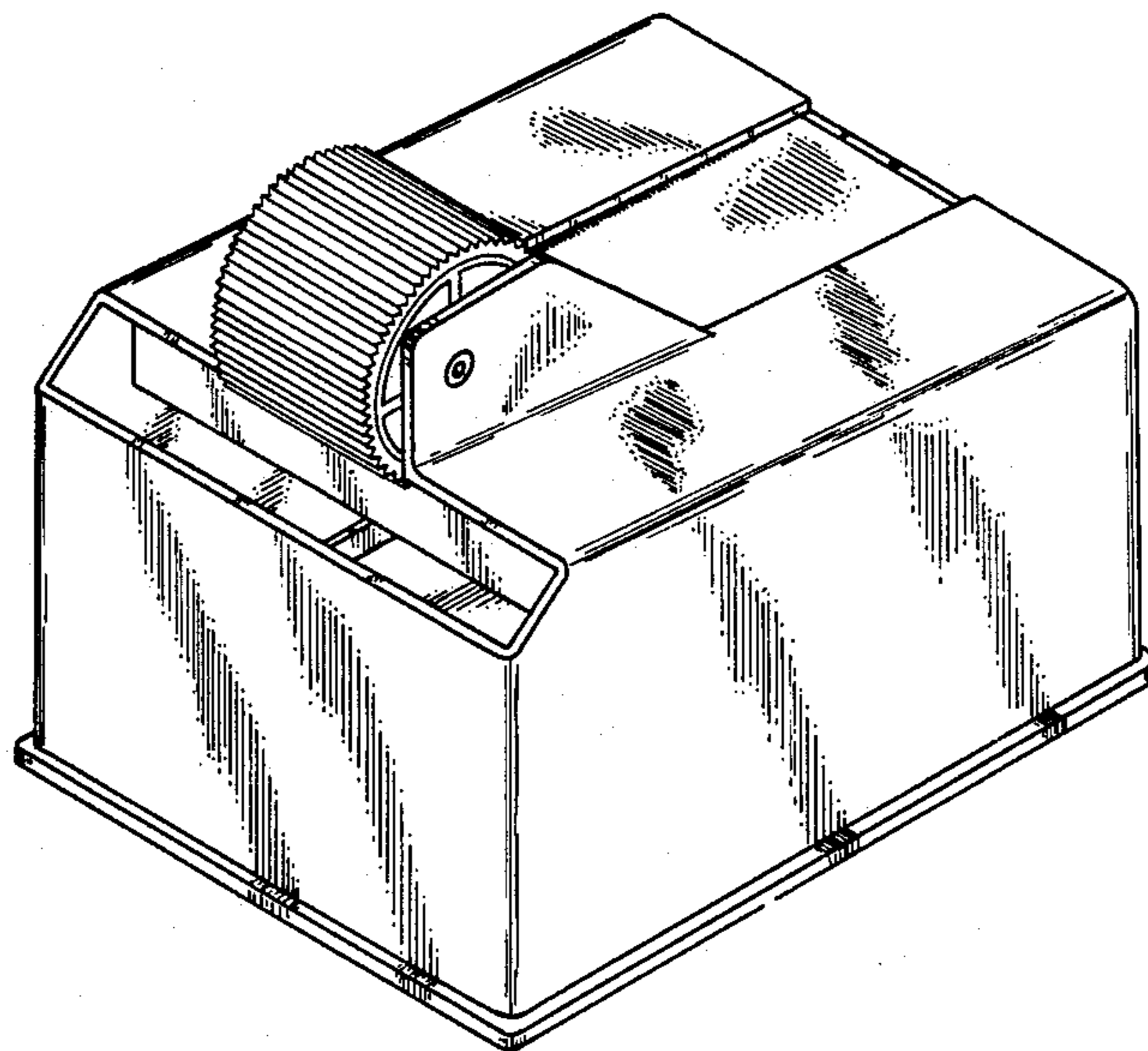
[57] **CLAIM**

The ornamental design for a permanent wave tissue dispenser, as shown and described.

DESCRIPTION

FIG. 1 is a top, front, and right side perspective view of a permanent wave tissue dispenser showing my new design;
FIG. 2 is a vertical cross-sectional view thereof, looking in the direction of line 2—2 of FIG. 4;
FIG. 3 is a bottom view thereof;
FIG. 4 is a rear elevational view thereof; and
FIG. 5 is a front elevational view thereof.

[56] **References Cited**
U.S. PATENT DOCUMENTS
D. 294,211 2/1988 Lax et al. D6/518



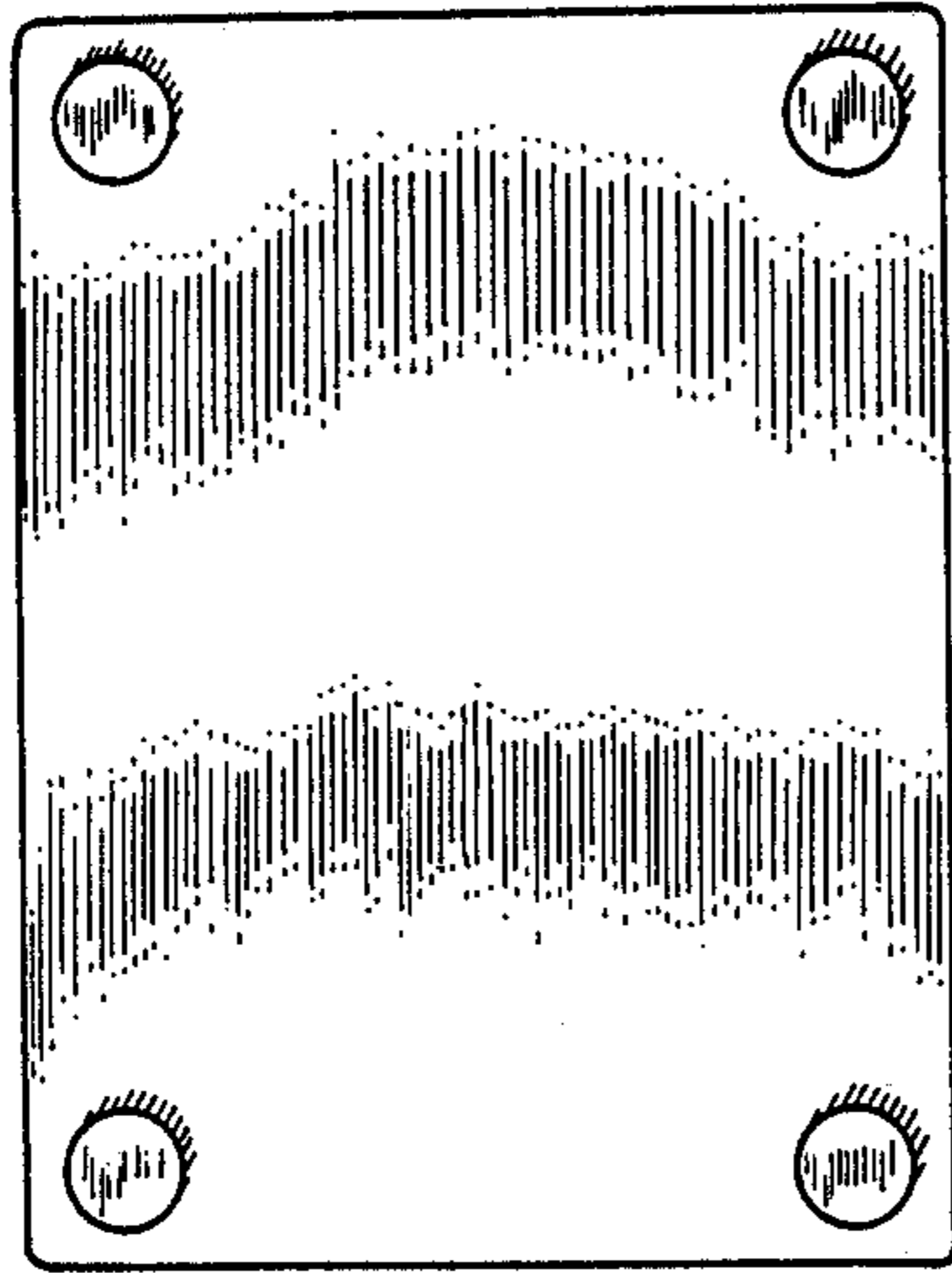


FIG. 3

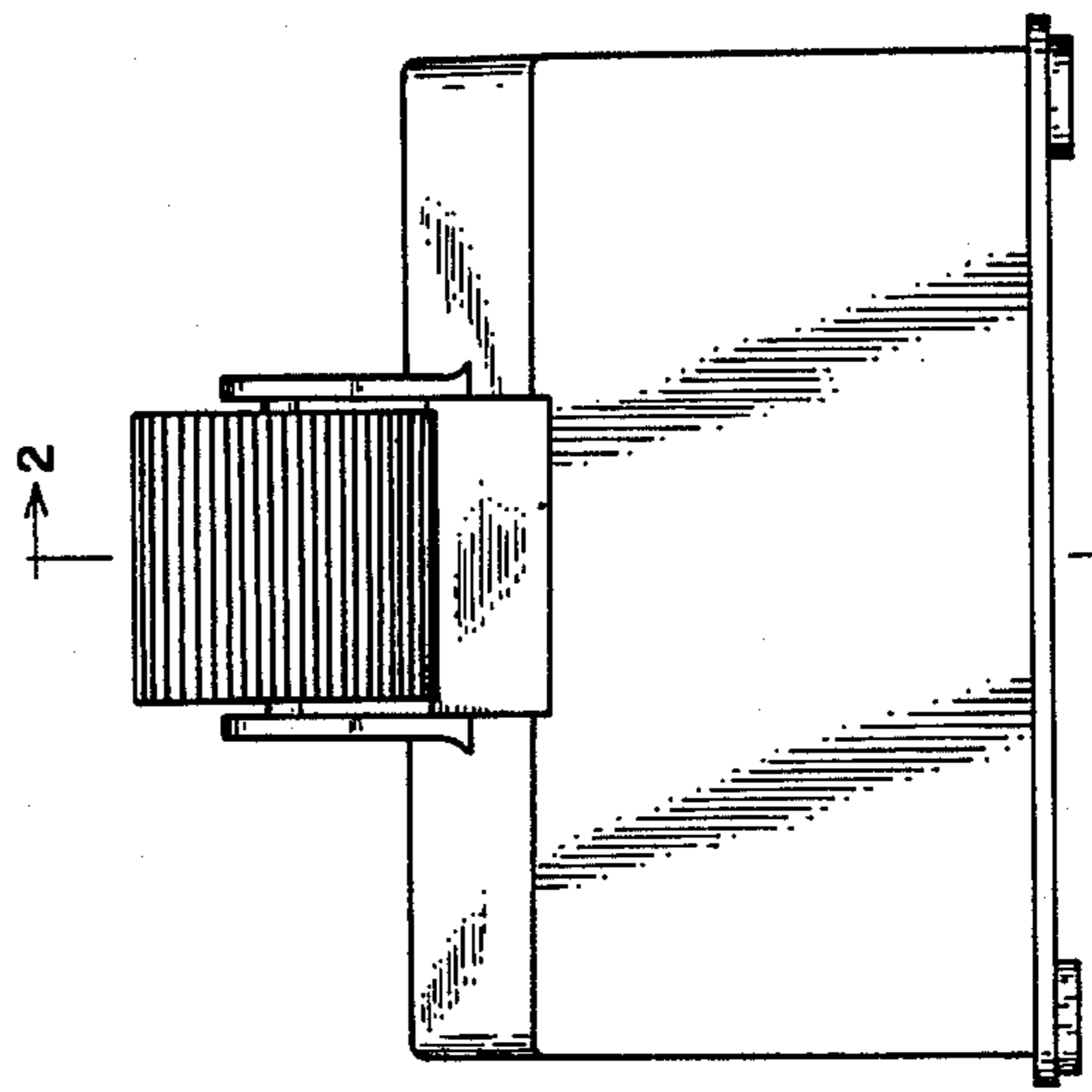


FIG. 4

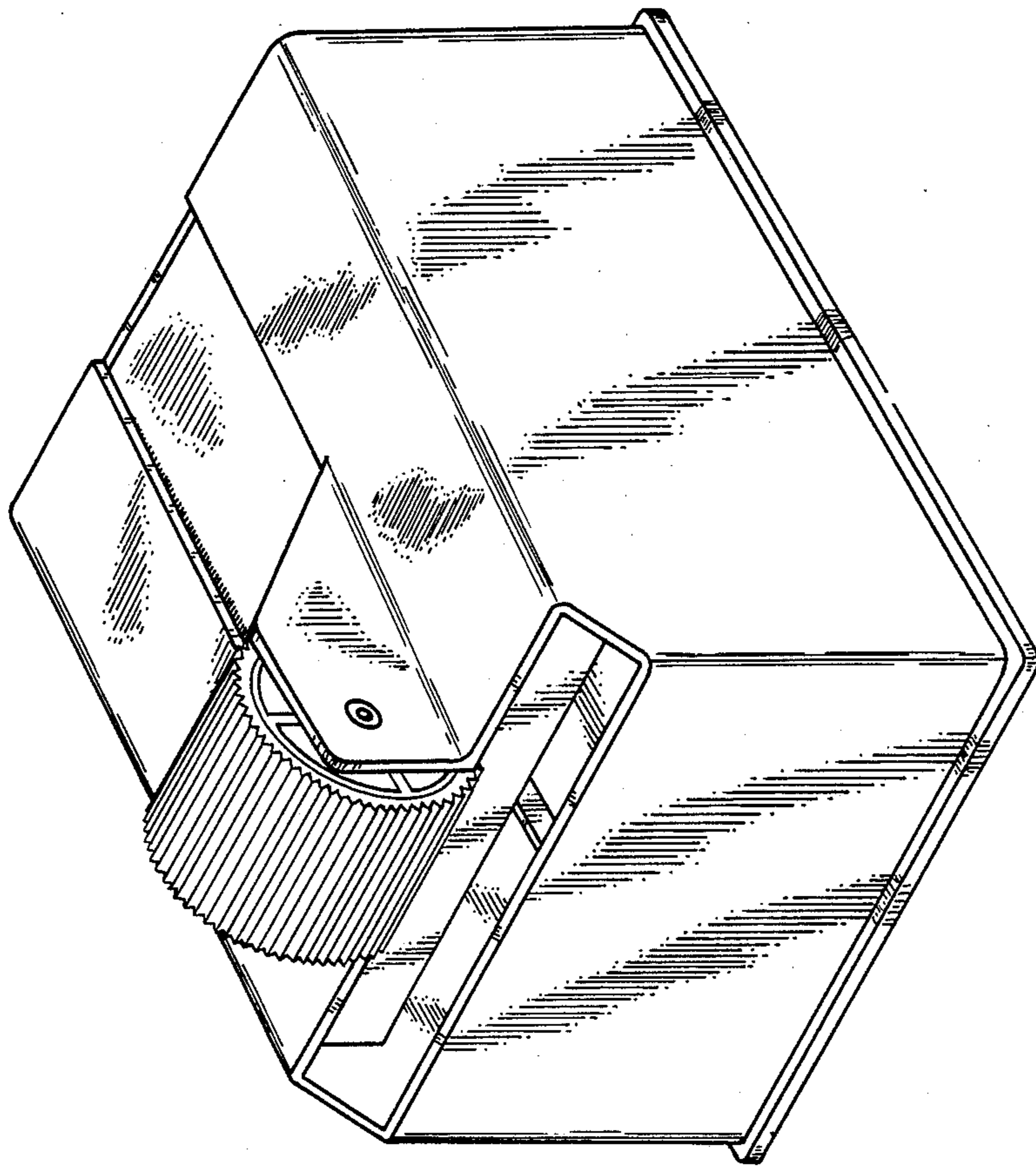


FIG. 1

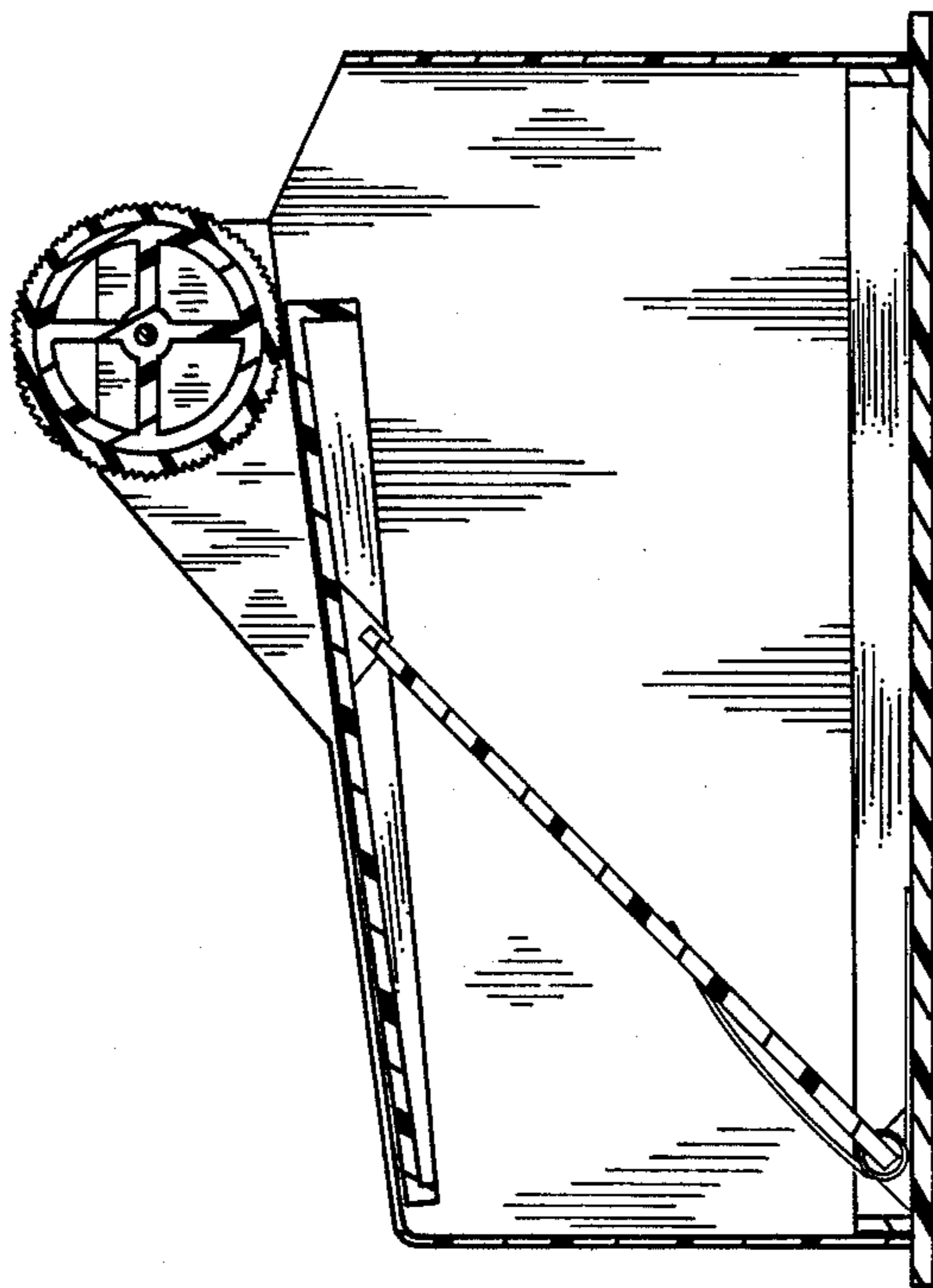


FIG. 2

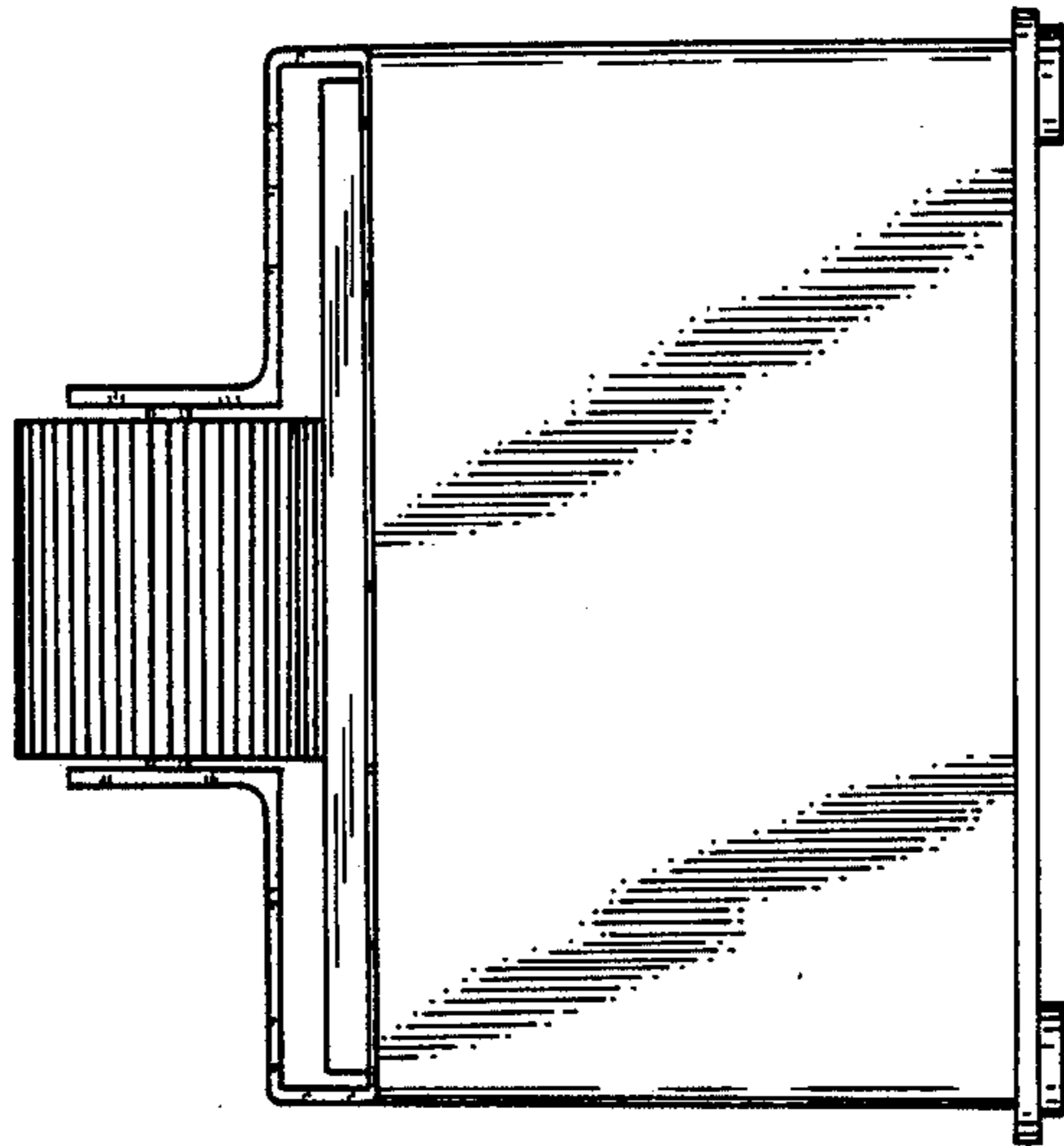


FIG. 5