

[54] WALL OR FLOOR-MOUNTED HOLDER FOR A PRESSURIZED CYLINDER OR THE LIKE

[76] Inventor: Roger P. Roland, NL 15 Lake Cherokee, Longview, Tex. 75603

[**] Term: 14 Years

[21] Appl. No.: 877,676

[22] Filed: Jun. 23, 1986

[52] U.S. Cl. D6/512; D6/553; D6/567

[58] Field of Search D6/449, 509, 511-512, D6/524, 542-545, 553, 567; 211/1, 71, 74-75, 86-89, 90, 134; 222/173; 221/282; 248/311.2

[56] References Cited

U.S. PATENT DOCUMENTS

D. 228,994	11/1973	Reinecke et al.	D6/545
D. 256,859	9/1980	Hauser et al.	D6/545
D. 274,584	7/1984	Crouse	D6/524
3,994,465	11/1976	Rudnitzky	248/311.2
4,508,303	4/1985	Beckerer, Jr.	248/311.2

OTHER PUBLICATIONS

Retail price list, Gott Corporation, 1984, p. 11, Mounting Bracket.

Retail price list, Gott Corp., 1984, p. 11, G.I. Can Holder.

Primary Examiner—Wallace R. Burke

Assistant Examiner—Brian N. Vinson

Attorney, Agent, or Firm—Richards, Harris, Medlock & Andrews

[57] CLAIM

The ornamental design for a wall or floor-mounted holder for a pressurized cylinder or the like, as shown and described.

DESCRIPTION

FIG. 1 is a perspective view of a wall or floor mounted holder for a pressurized cylinder or the like showing my new design, the broken-line showing of the cylinder being for illustrative purposes only and forming no part of the claimed design;

FIG. 2 is a front elevational view thereof;

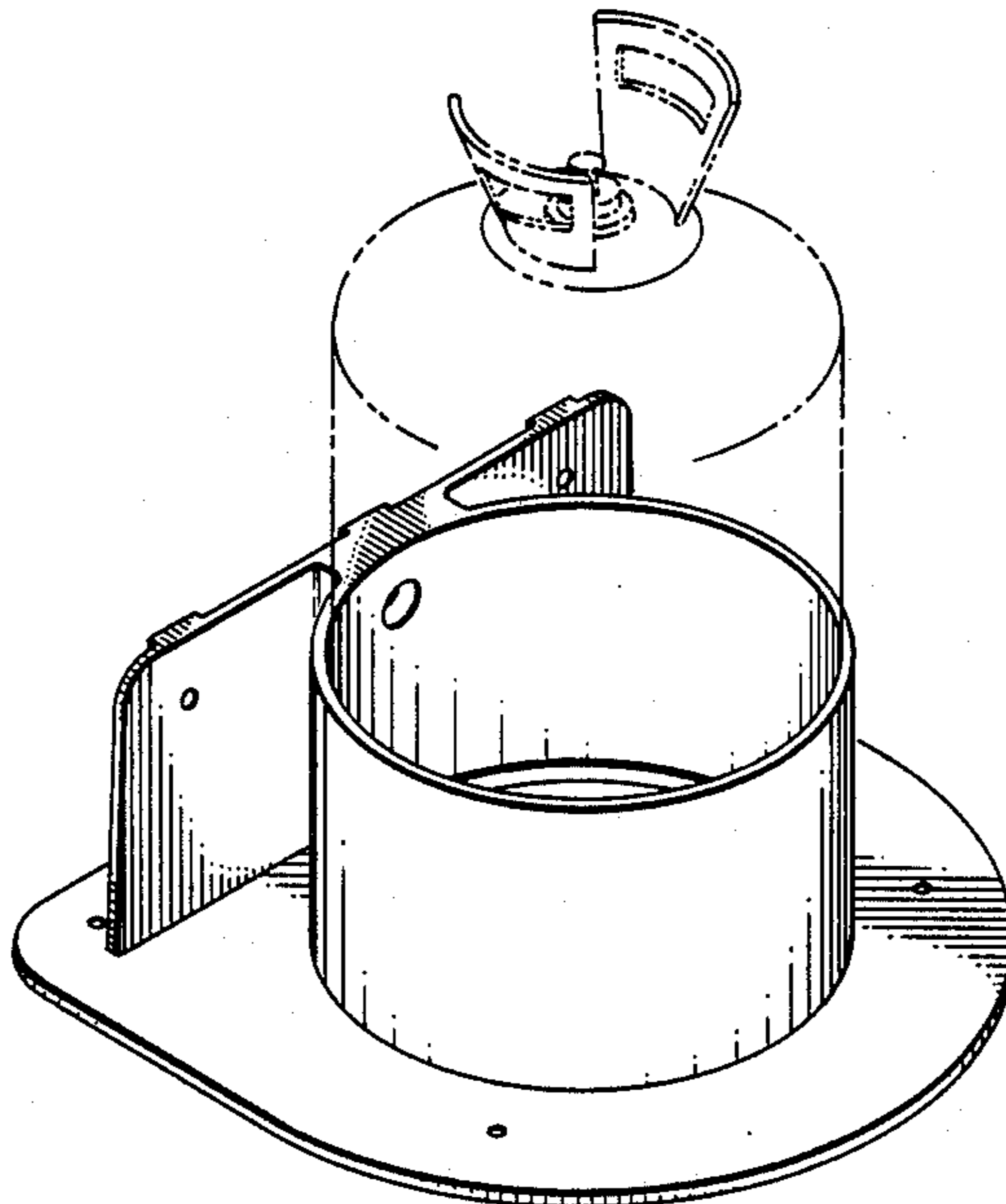
FIG. 3 is a right side elevational view thereof;

FIG. 4 is a rear elevational view thereof;

FIG. 5 is a left side elevational view thereof;

FIG. 6 is a top plan view thereof; and

FIG. 7 is a bottom plan view thereof.



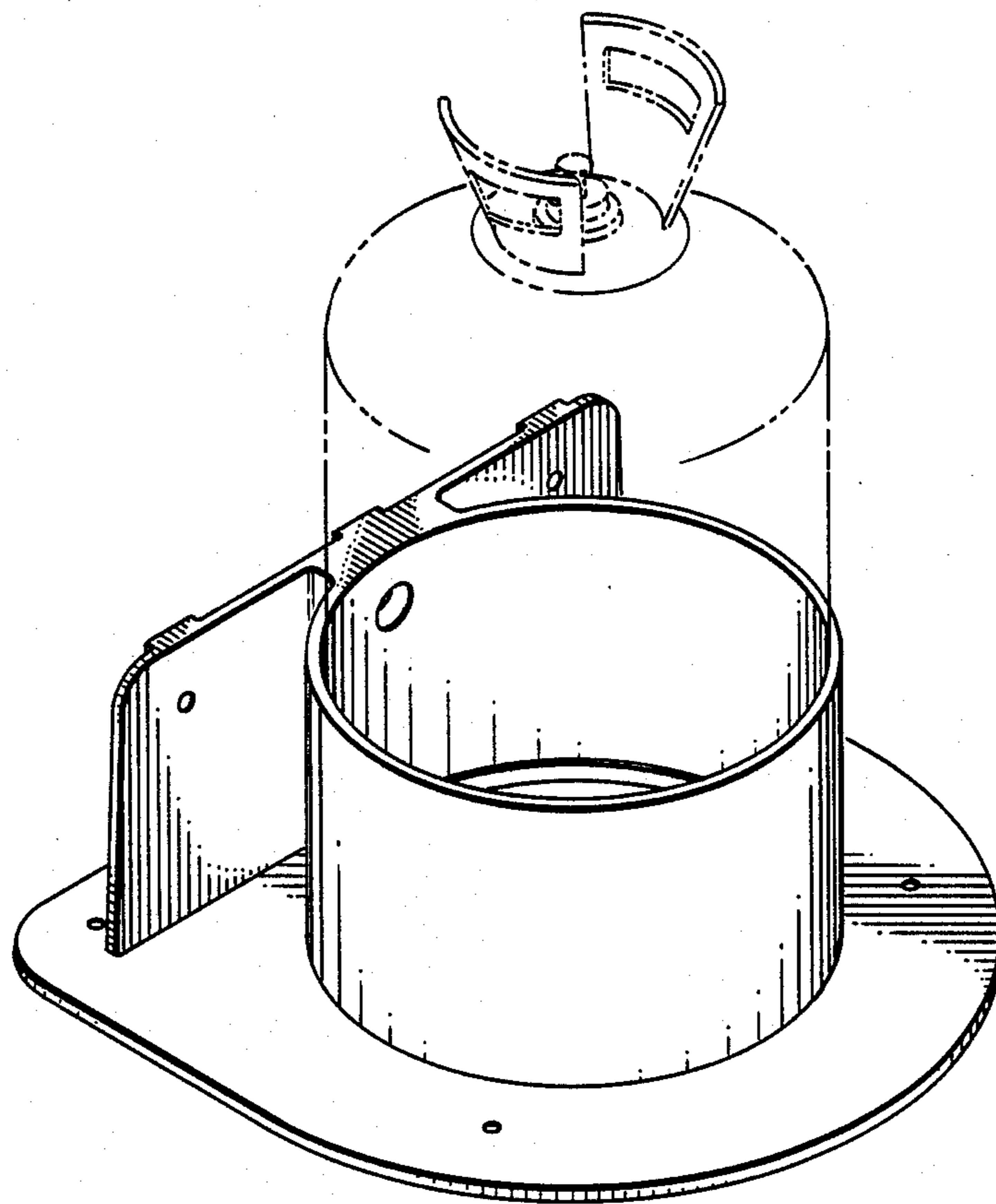


FIG. 1

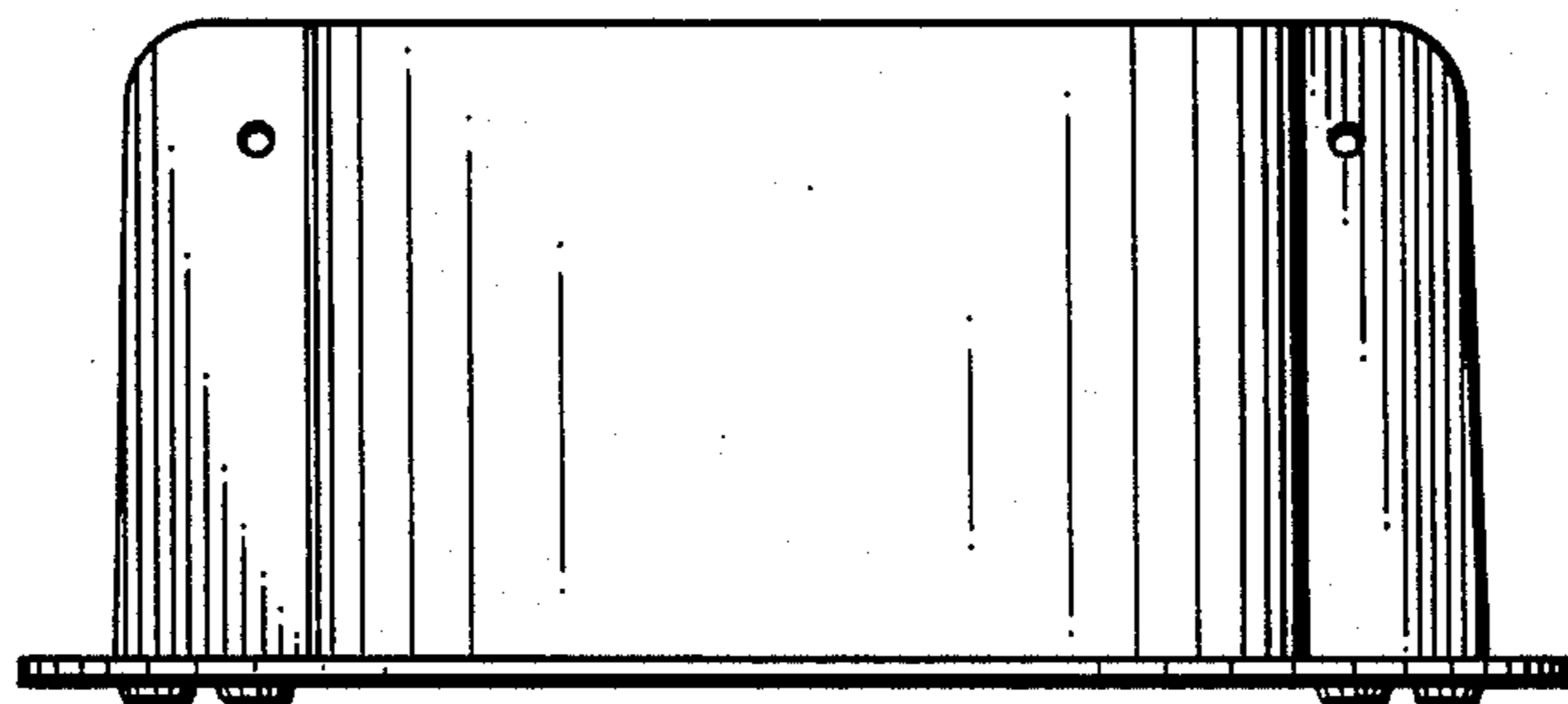


FIG. 2

FIG. 3

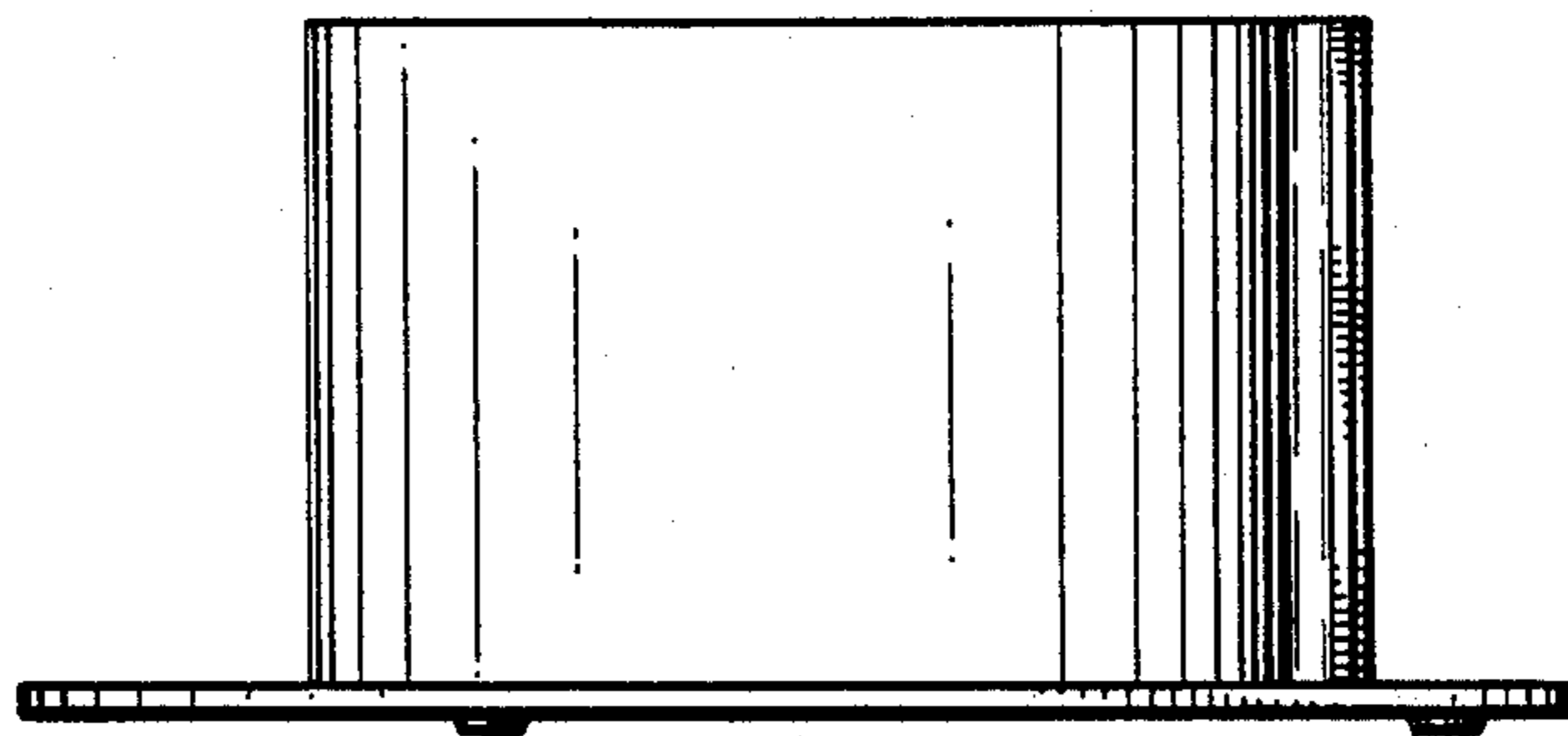


FIG. 4

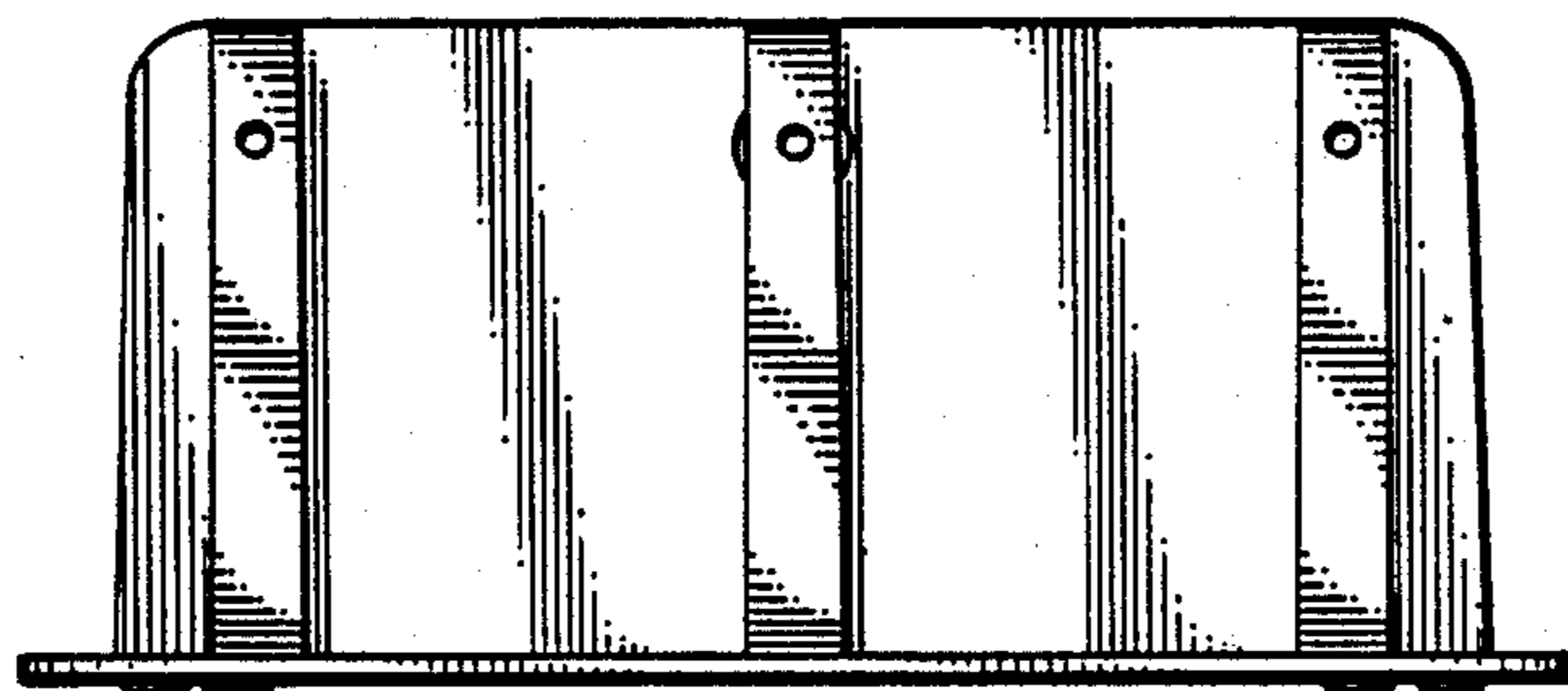
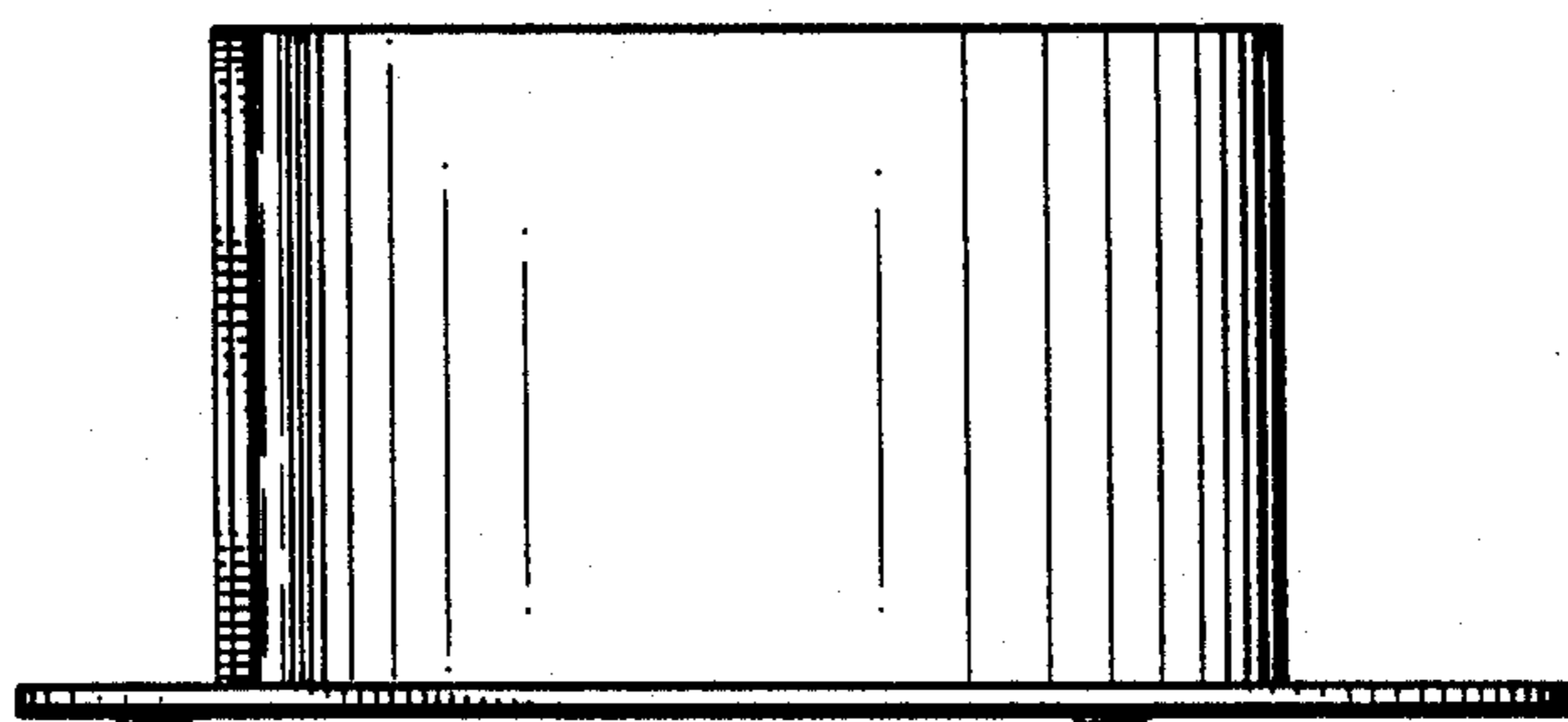


FIG. 5



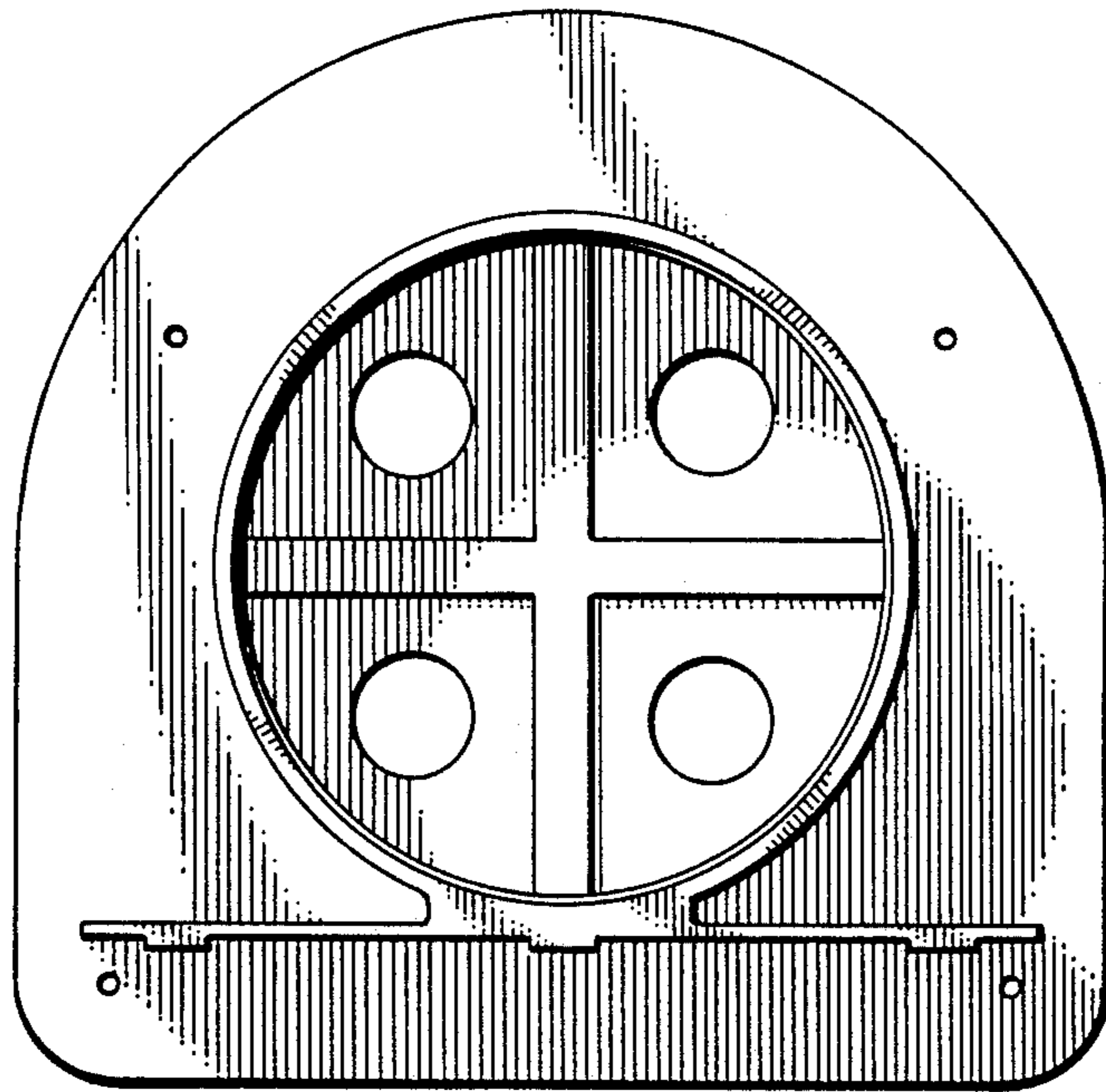


FIG. 6

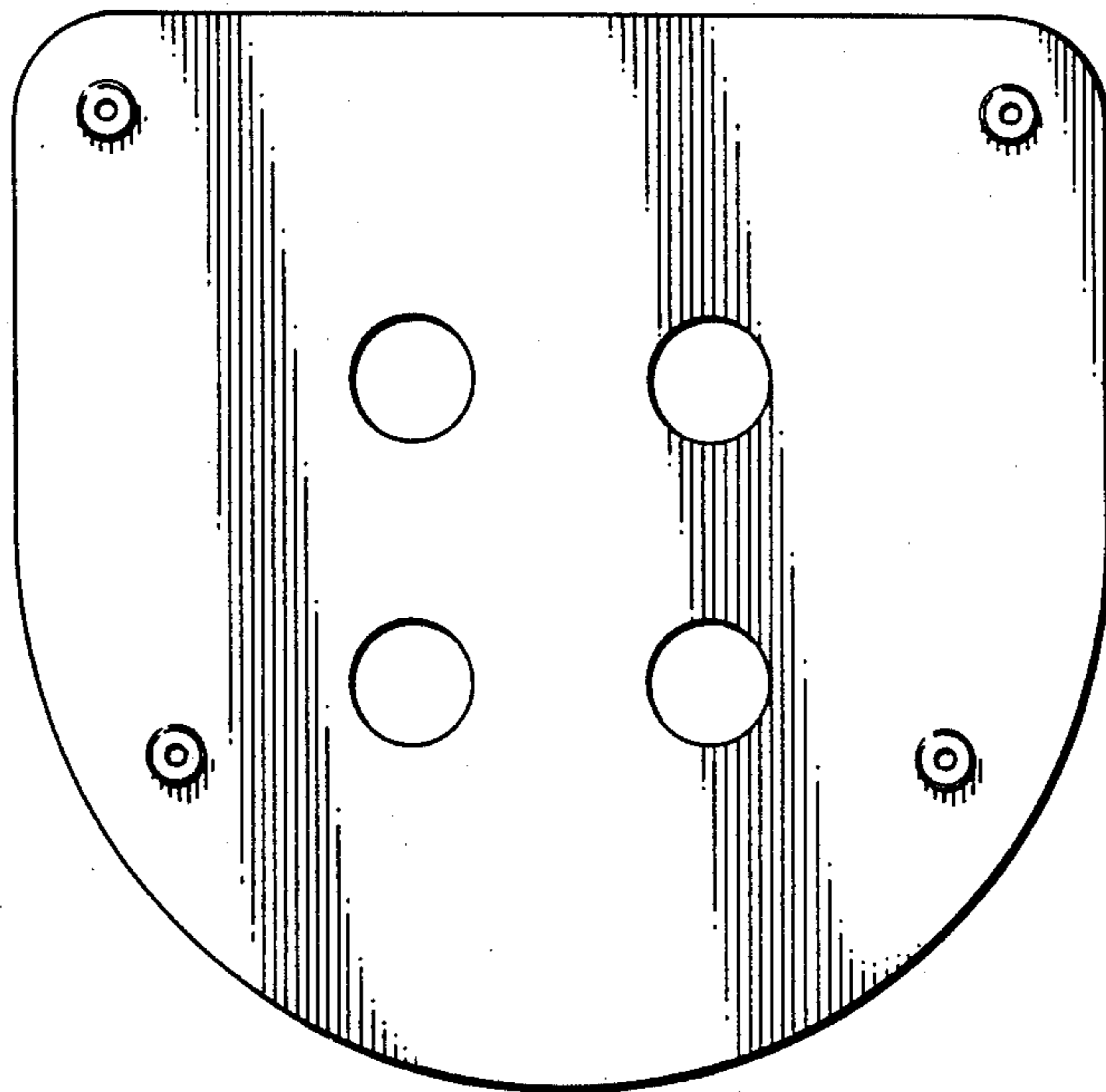


FIG. 7