

[54] WALL OR FLOOR-MOUNTED HOLDER FOR A DISPENSER-EQUIPPED WATER COOLER OR THE LIKE

[76] Inventor: Roger P. Roland, NL 15 Lake Cherokee, Longview, Tex. 75603

[\*\*] Term: 14 Years

[21] Appl. No.: 877,667

[22] Filed: Jun. 23, 1986

[52] U.S. Cl. .... D6/512; D6/553; D6/567; D6/542

[58] Field of Search ..... D6/449, 509, 511-512, D6/524, 542-545, 553, 567; 211/1, 71, 74-75, 86-90, 134; 222/173; 221/282; 248/311.2, 311.3

[56] References Cited

U.S. PATENT DOCUMENTS

D. 228,994	11/1973	Reinecke et al. ....	D6/545
D. 256,859	9/1980	Hauser et al. ....	D6/545
D. 274,584	7/1984	Crouse .....	D6/524
3,994,465	11/1976	Rudnitzky .....	248/311.2
4,508,303	4/1985	Beckerer, Jr. ....	248/311.2

OTHER PUBLICATIONS

Retail Price List, Gott Corporation, 1984, p. 11, Mounting Bracket; G.I. Can Holder.

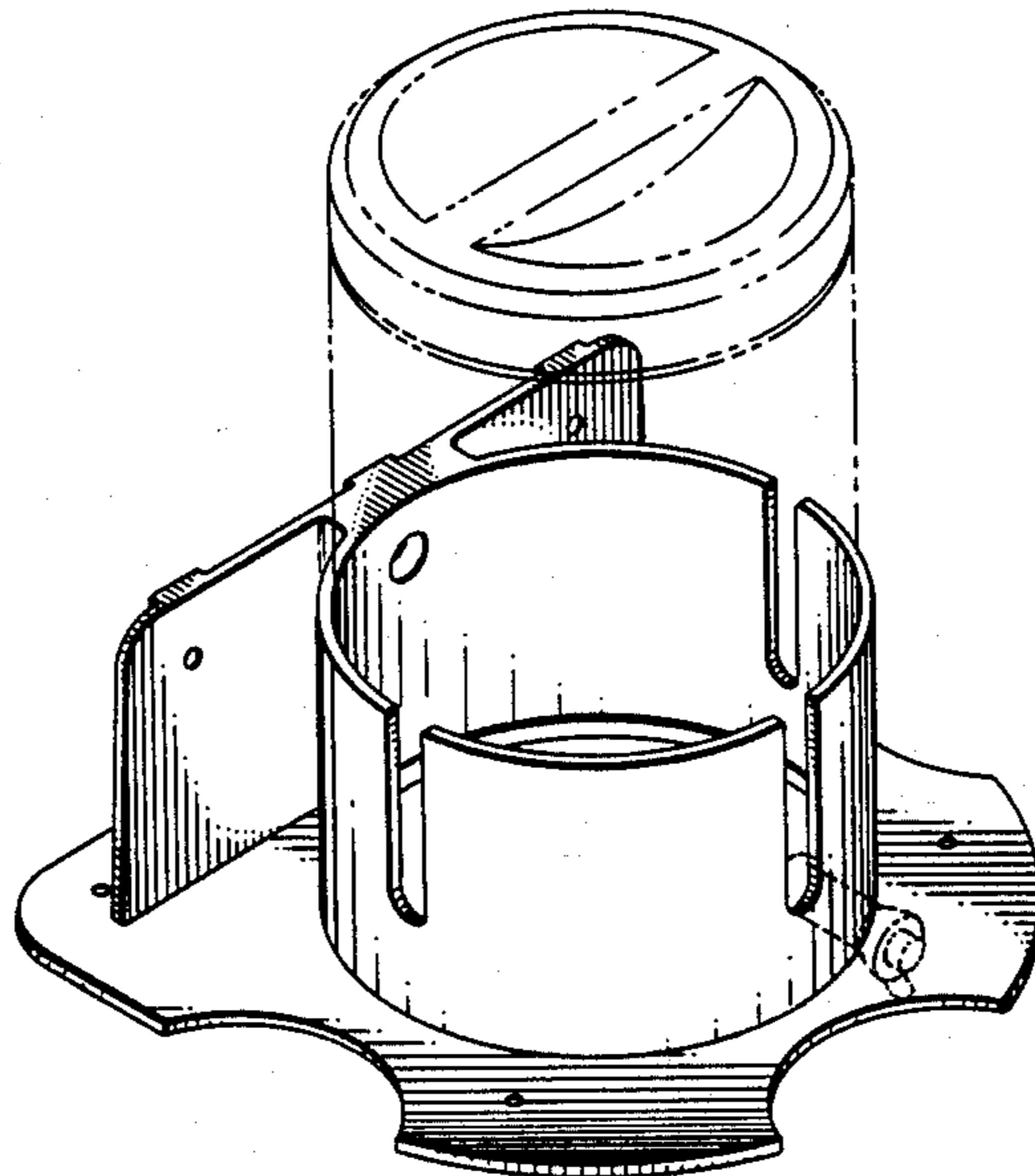
Primary Examiner—Wallace R. Burke  
Assistant Examiner—Brian N. Vinson  
Attorney, Agent, or Firm—Richards, Harris, Medlock & Andrews

CLAIM

[57] The ornamental design for a wall or floor-mounted holder for a dispenser-equipped water cooler or the like, as shown and described.

DESCRIPTION

FIG. 1 is a perspective view of a wall or floor mounted holder for a dispenser-equipped water cooler or the like showing my new design, the broken-line showing of the water cooler being for illustrative purposes only and forming no part of the claimed design; FIG. 2 is a front elevational view thereof; FIG. 3 is a right side elevational view thereof; FIG. 4 is a rear elevational view thereof; FIG. 5 is a left side elevational view thereof; FIG. 6 is a top plan view thereof; and FIG. 7 is a bottom plan view thereof.



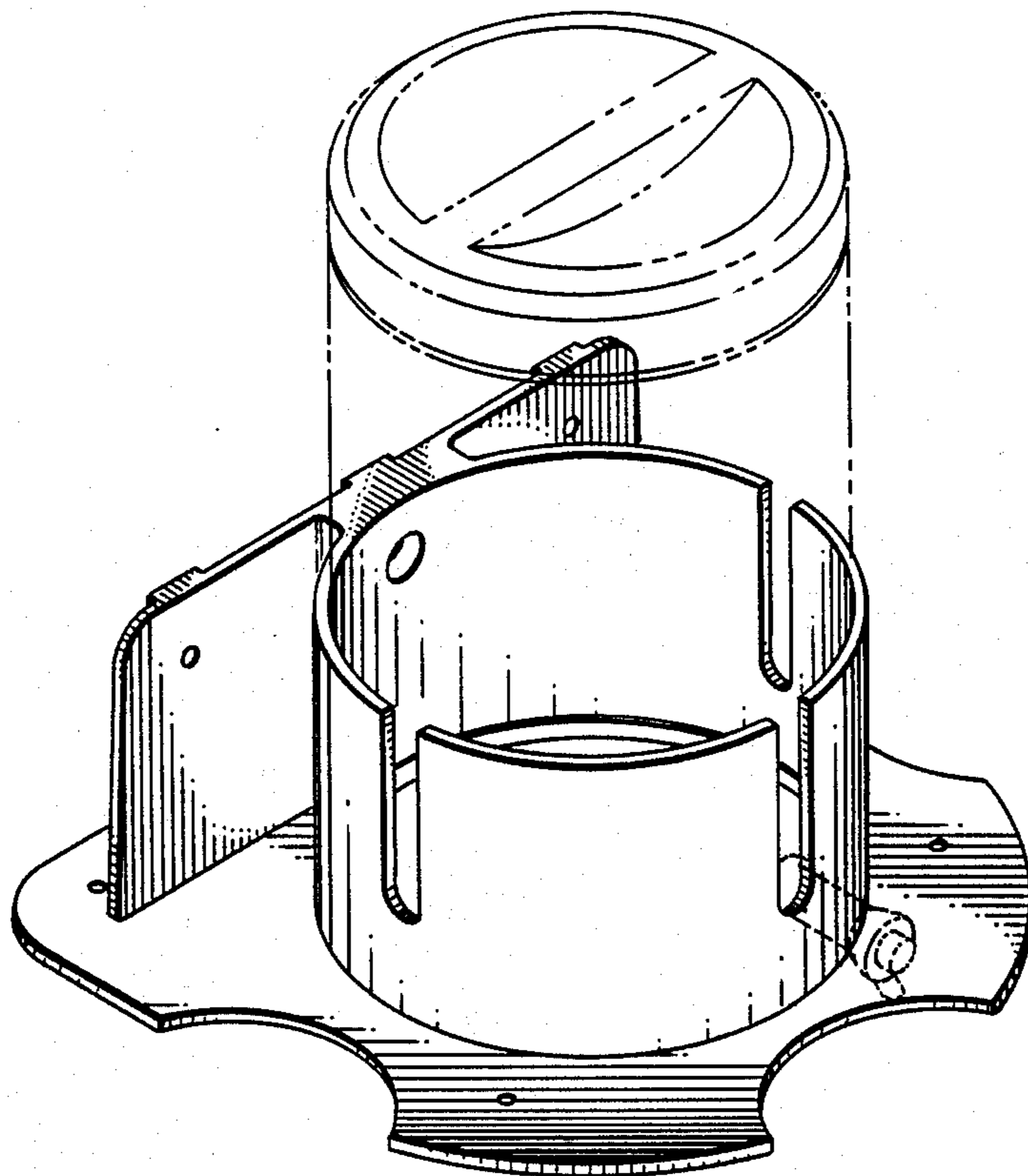


FIG. 1

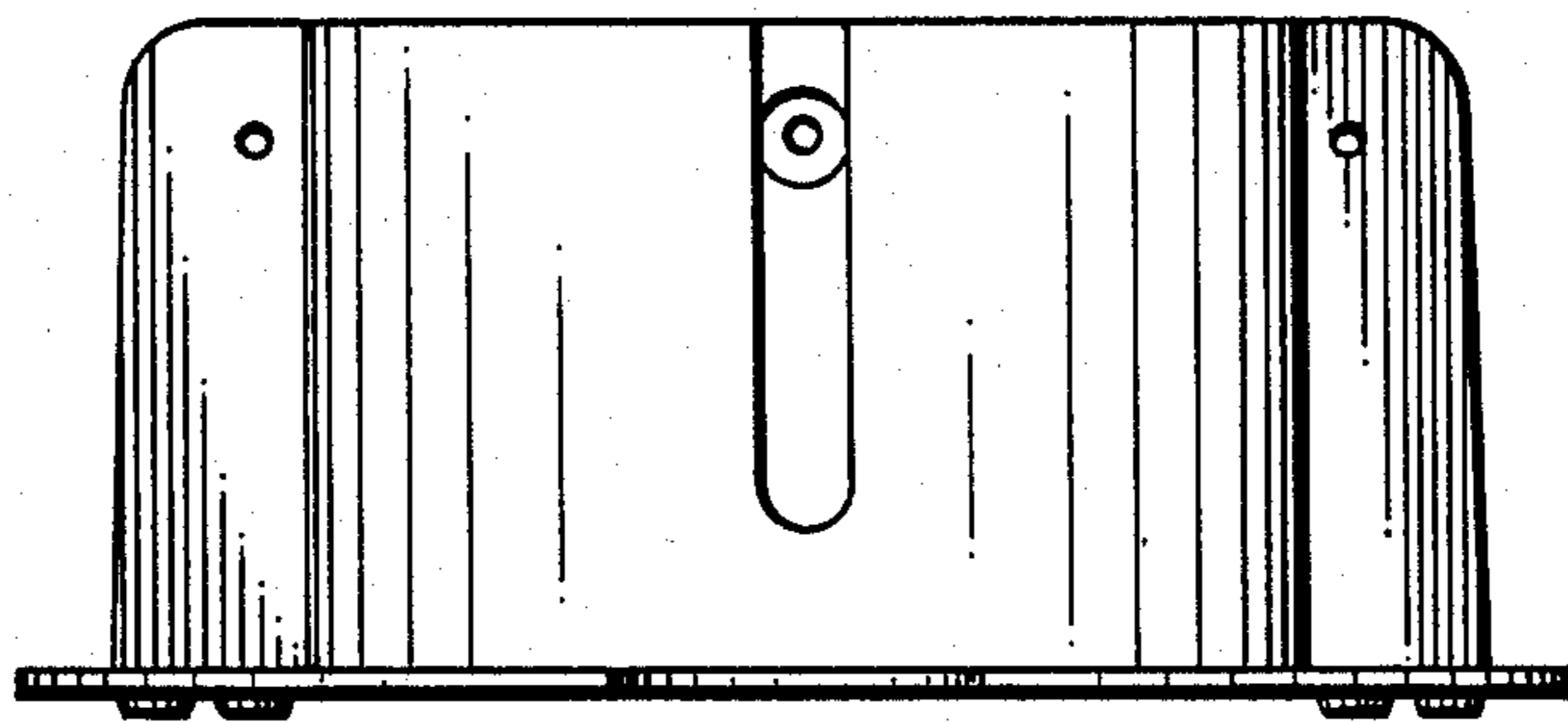


FIG. 2

FIG. 3

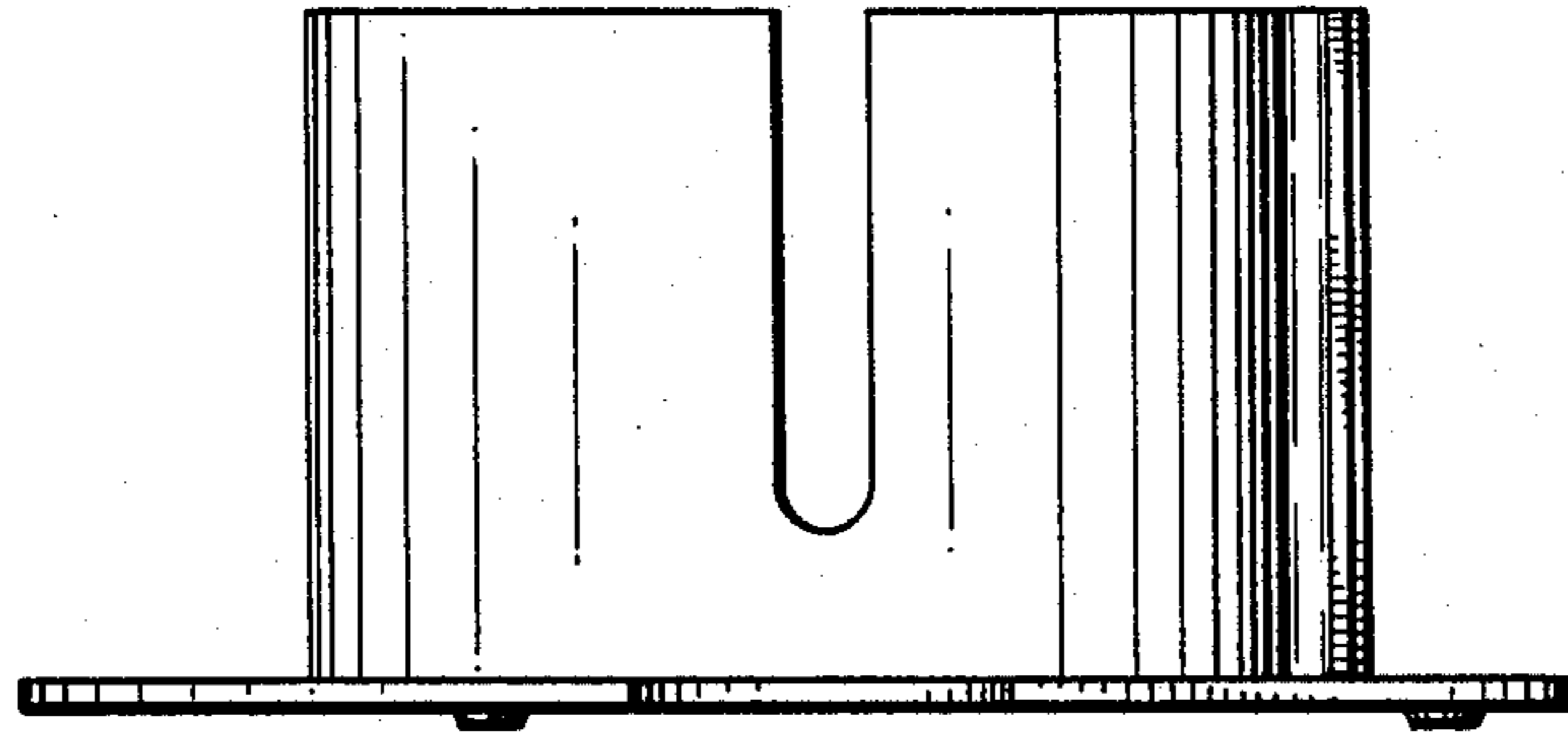


FIG. 4

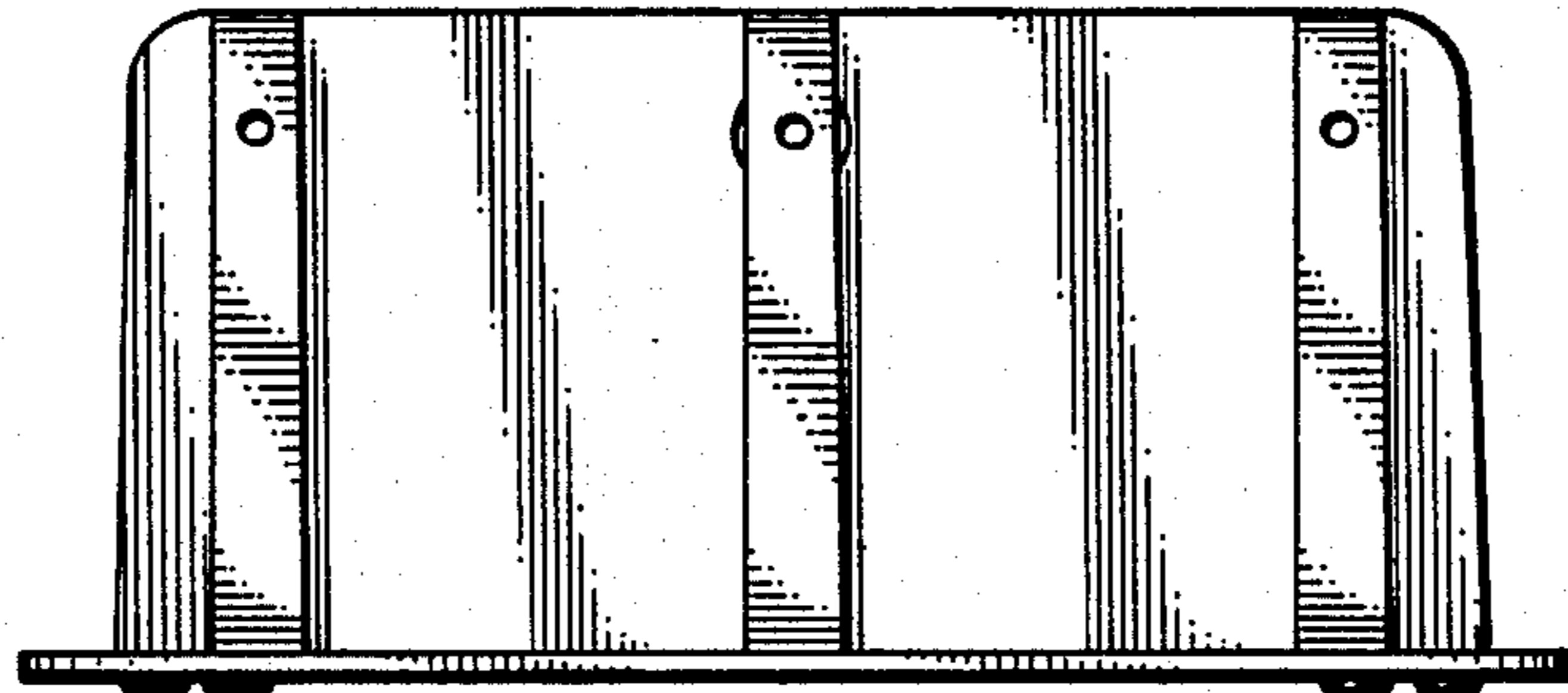
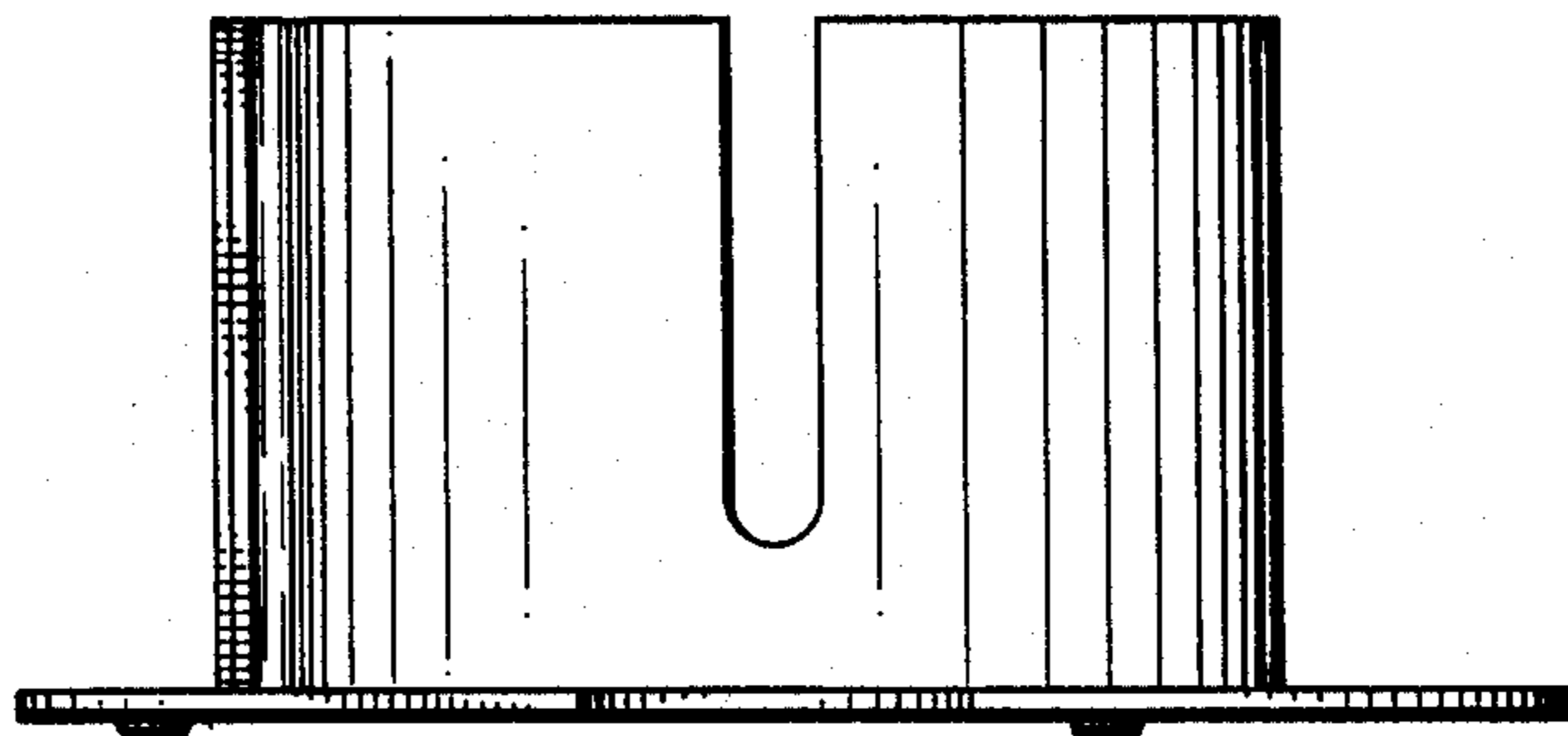


FIG. 5



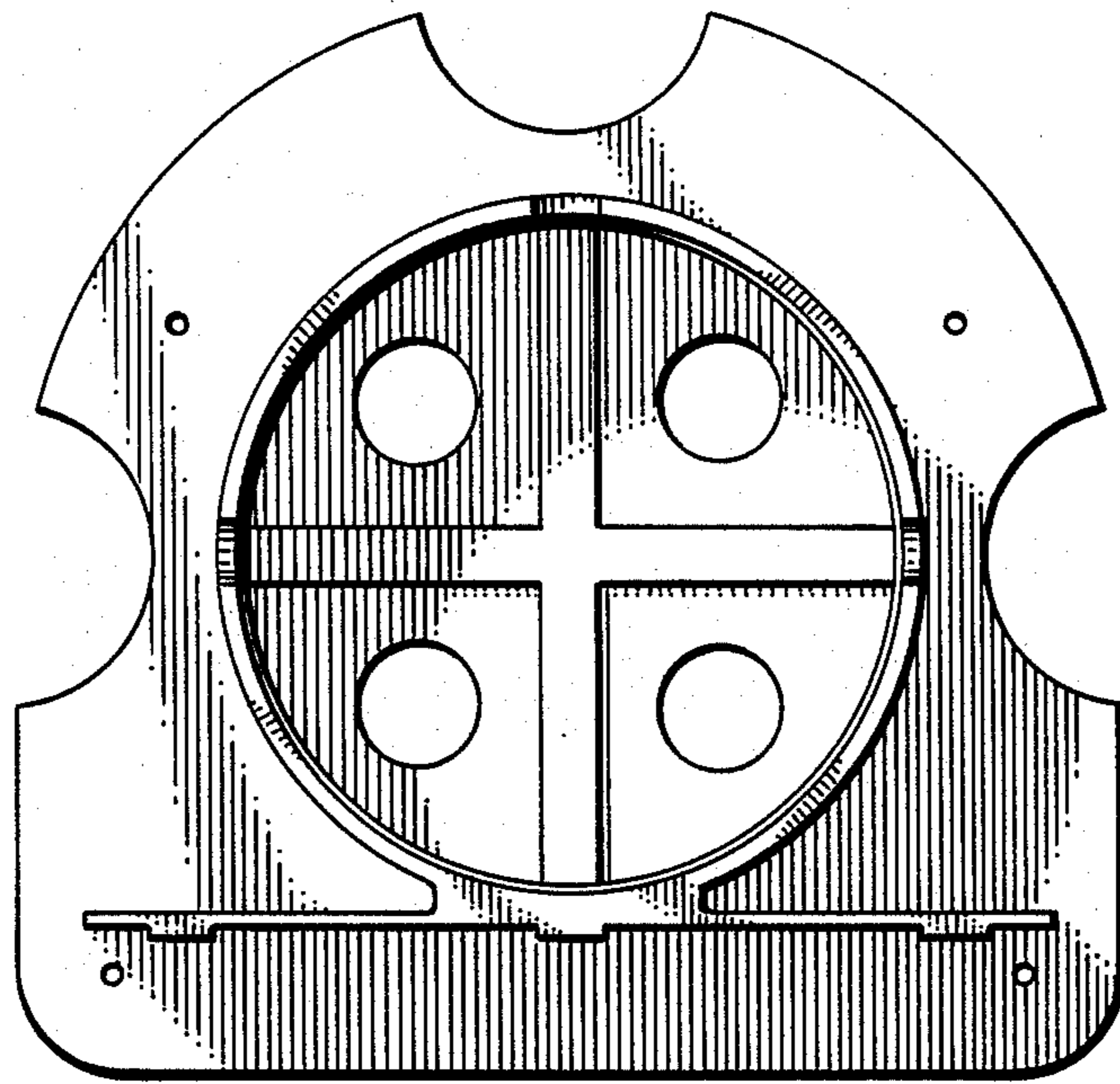


FIG. 6

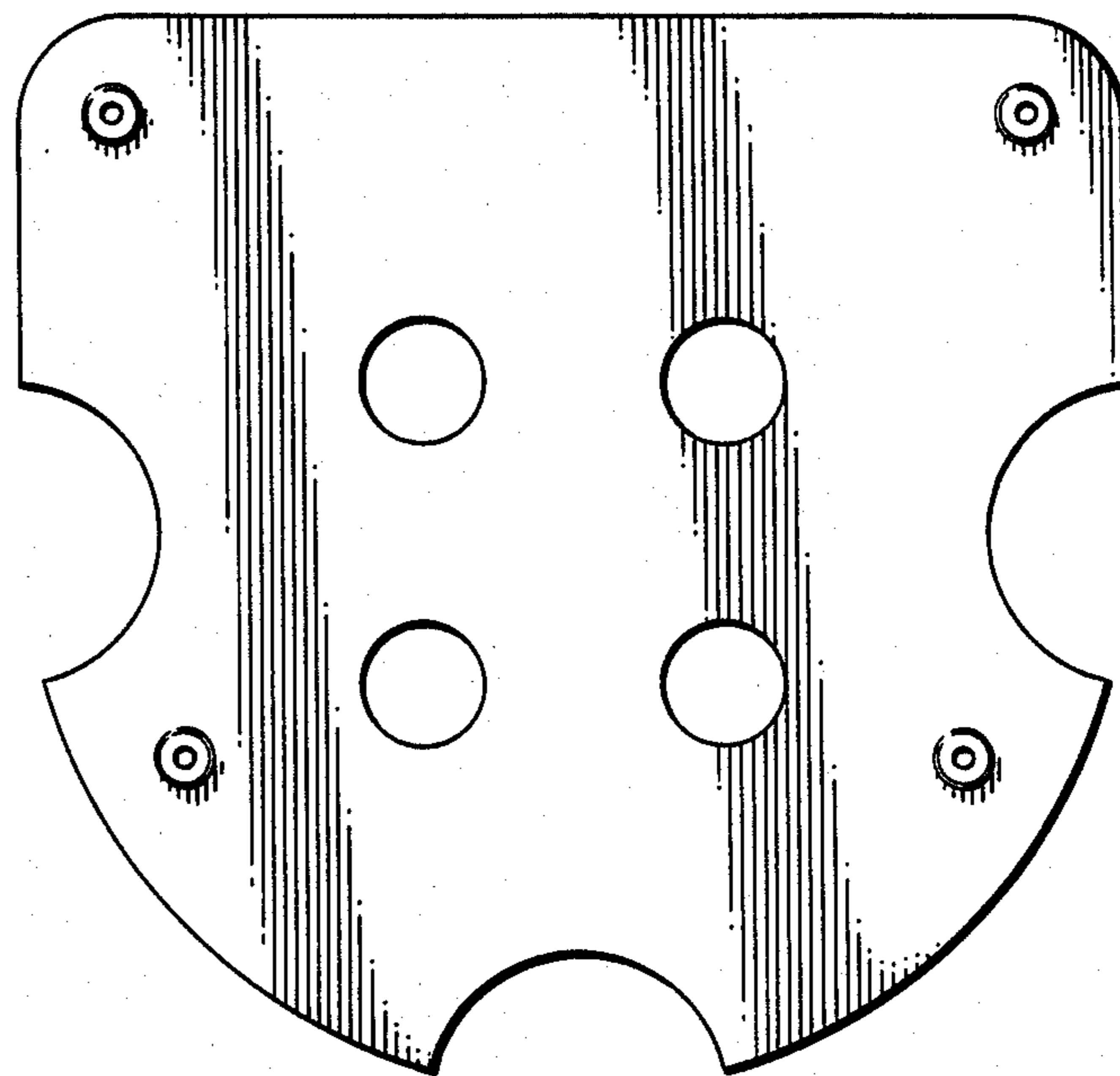


FIG. 7