

[54] **TABLE**

[75] **Inventor: Inger Bartlett, Toronto, Canada**

[73] **Assignee: Inger Bartlett & Associates, Toronto, Canada**

[\*\*] **Term: 14 Years**

[21] **Appl. No.: 856,093**

[22] **Filed: Apr. 17, 1986**

[30] **Foreign Application Priority Data**

Oct. 17, 1985 [CA] Canada ..... 17-10-85-2

[52] **U.S. Cl. .... D6/484**

[58] **Field of Search ..... D6/430, 449, 480, 482, D6/483, 484, 486, 488**

[56] **References Cited**

**U.S. PATENT DOCUMENTS**

D. 176,237 11/1955 Umanoff ..... D6/430 X

D. 208,785 10/1967 Jakobsen ..... D6/430

D. 239,584 4/1976 Vrignaud ..... D6/484

D. 243,983 4/1977 Carter ..... D6/484

2,703,742 3/1955 Becker ..... D6/480 X

3,023,007 2/1962 Lowrey ..... D6/480 X

3,053,598 9/1962 Cheslow ..... D6/483 X

*Primary Examiner*—Bruce W. Dunkins

*Attorney, Agent, or Firm*—Rogers, Bereskin & Parr

[57] **CLAIM**

The ornamental design for a table, as shown.

**DESCRIPTION**

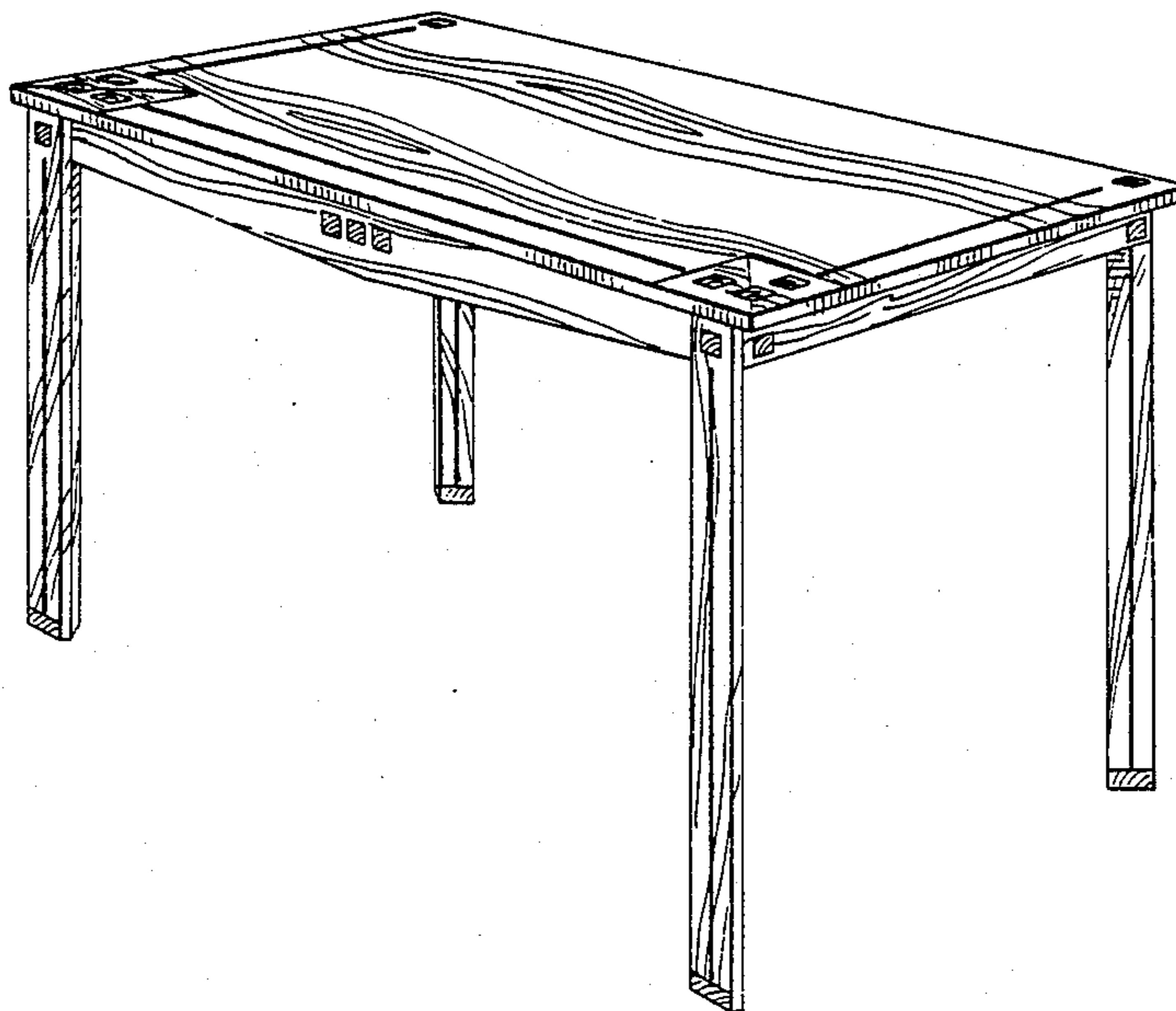
FIG. 1 is a perspective view of a table taken from above and showing my new design;

FIG. 2 is a perspective view thereof taken from below;

FIG. 3 is an elevational view showing one of the two identical sides;

FIG. 4 is an elevational view showing one of the two identical ends; and,

FIG. 5 is a perspective view of a table taken from above and showing a second embodiment of my design.



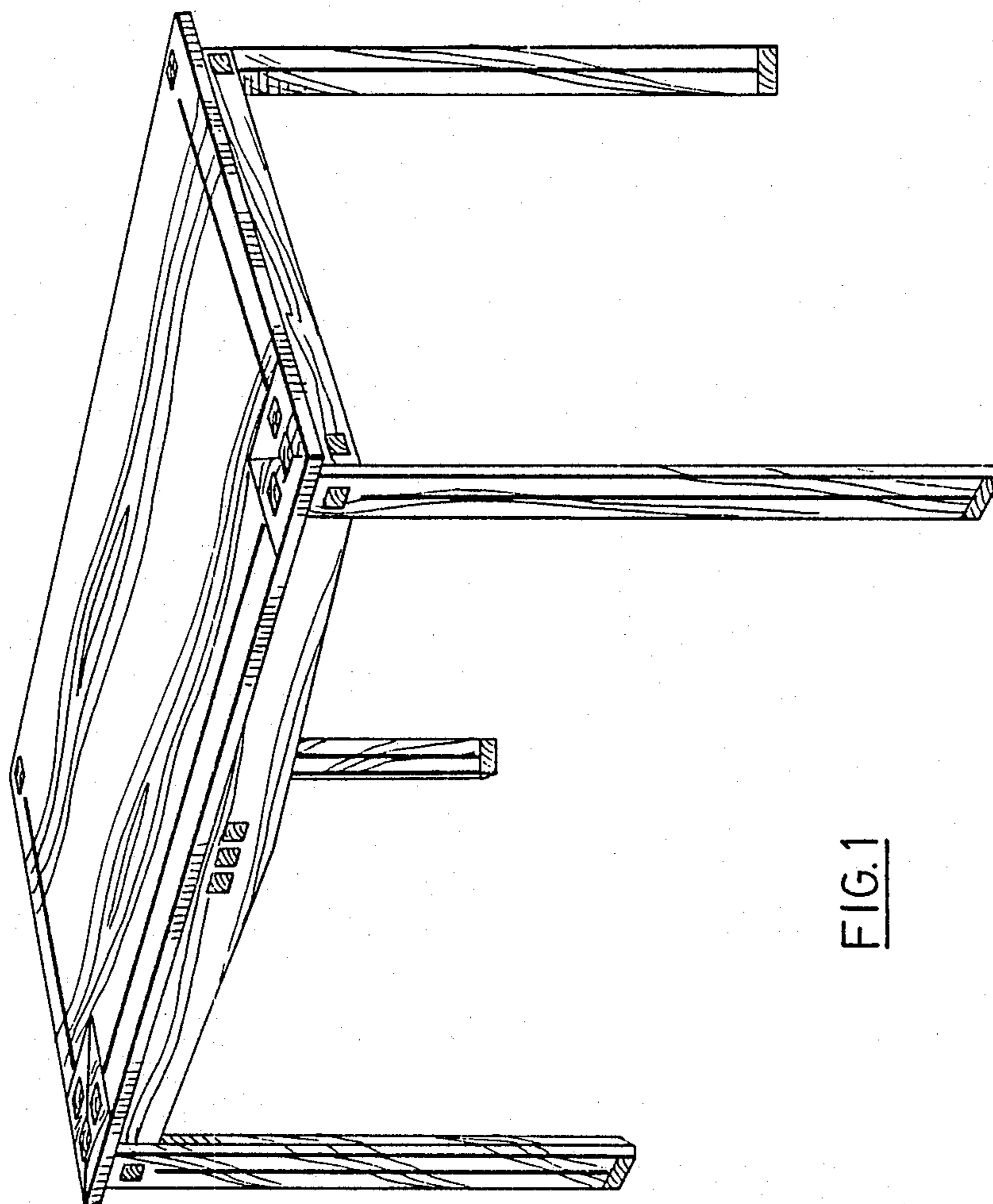


FIG. 1

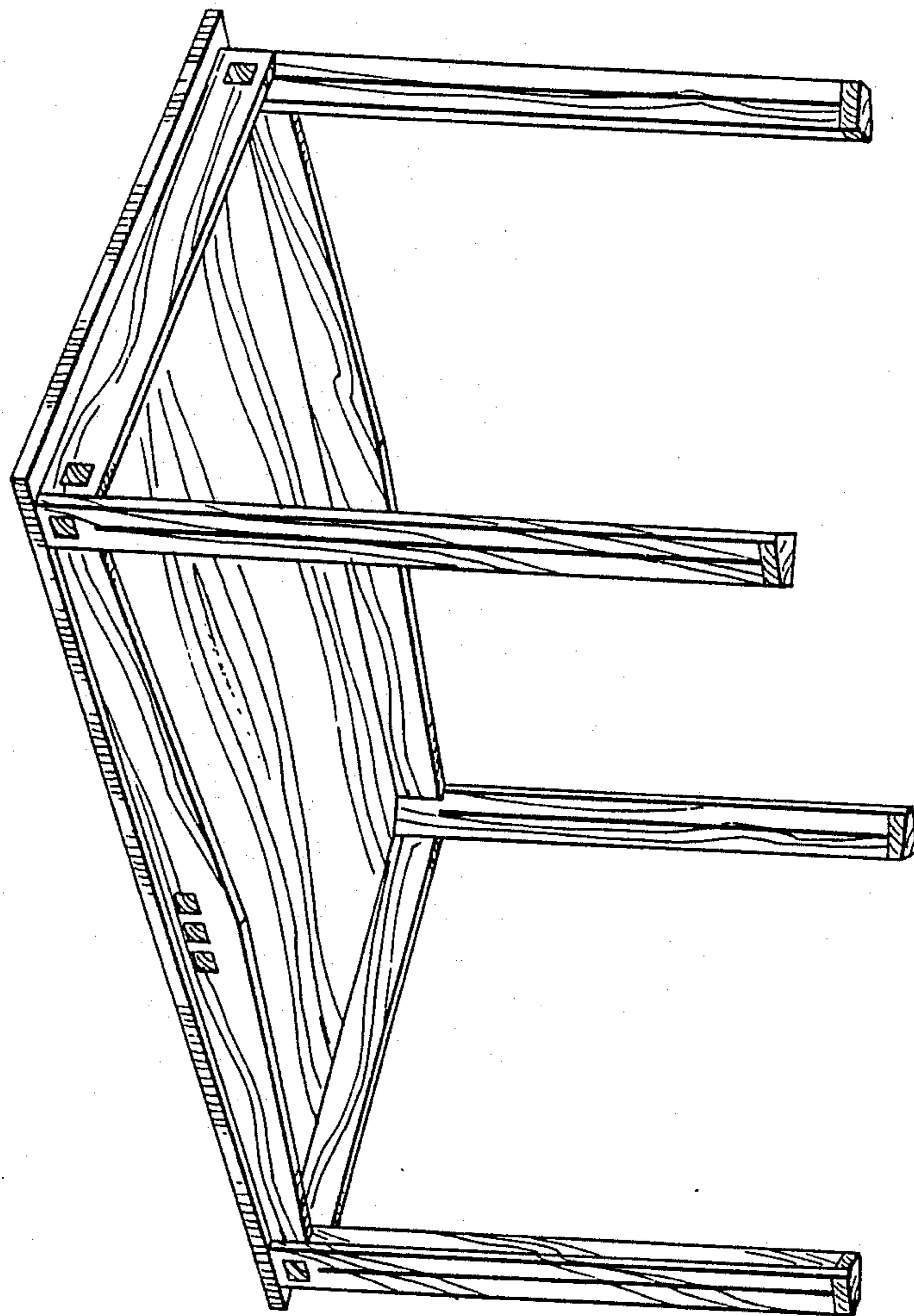


FIG. 2

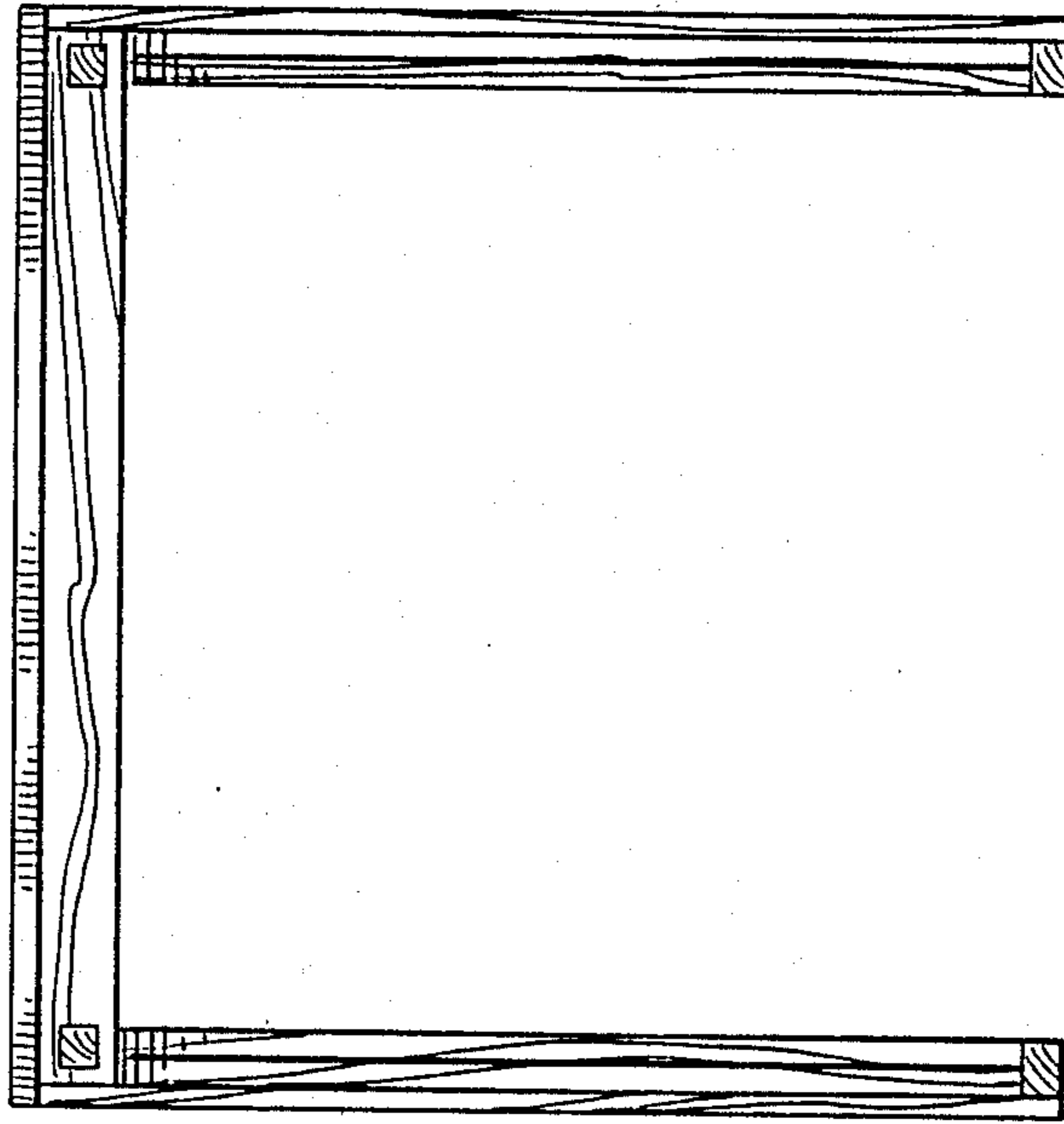


FIG. 3

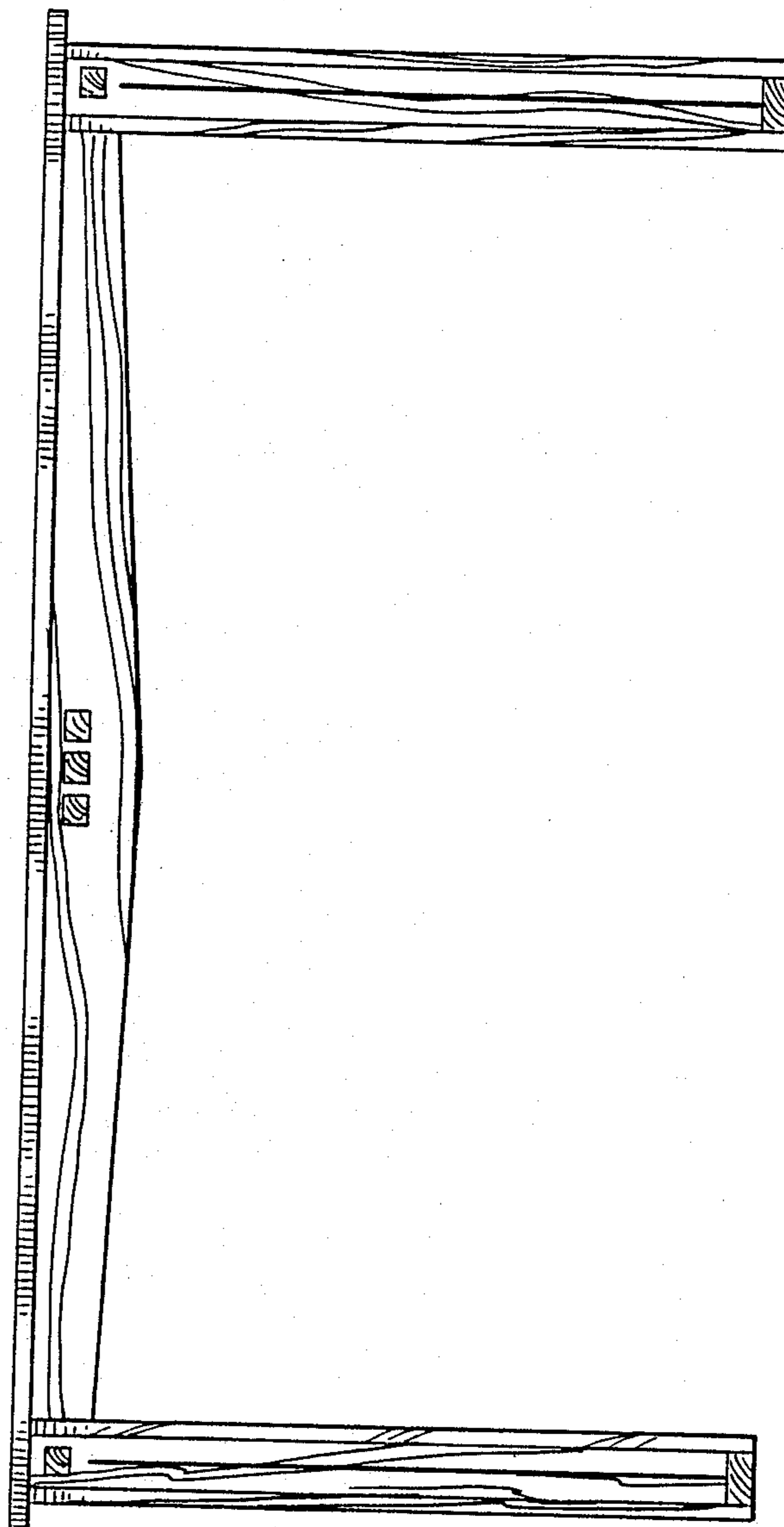


FIG. 4

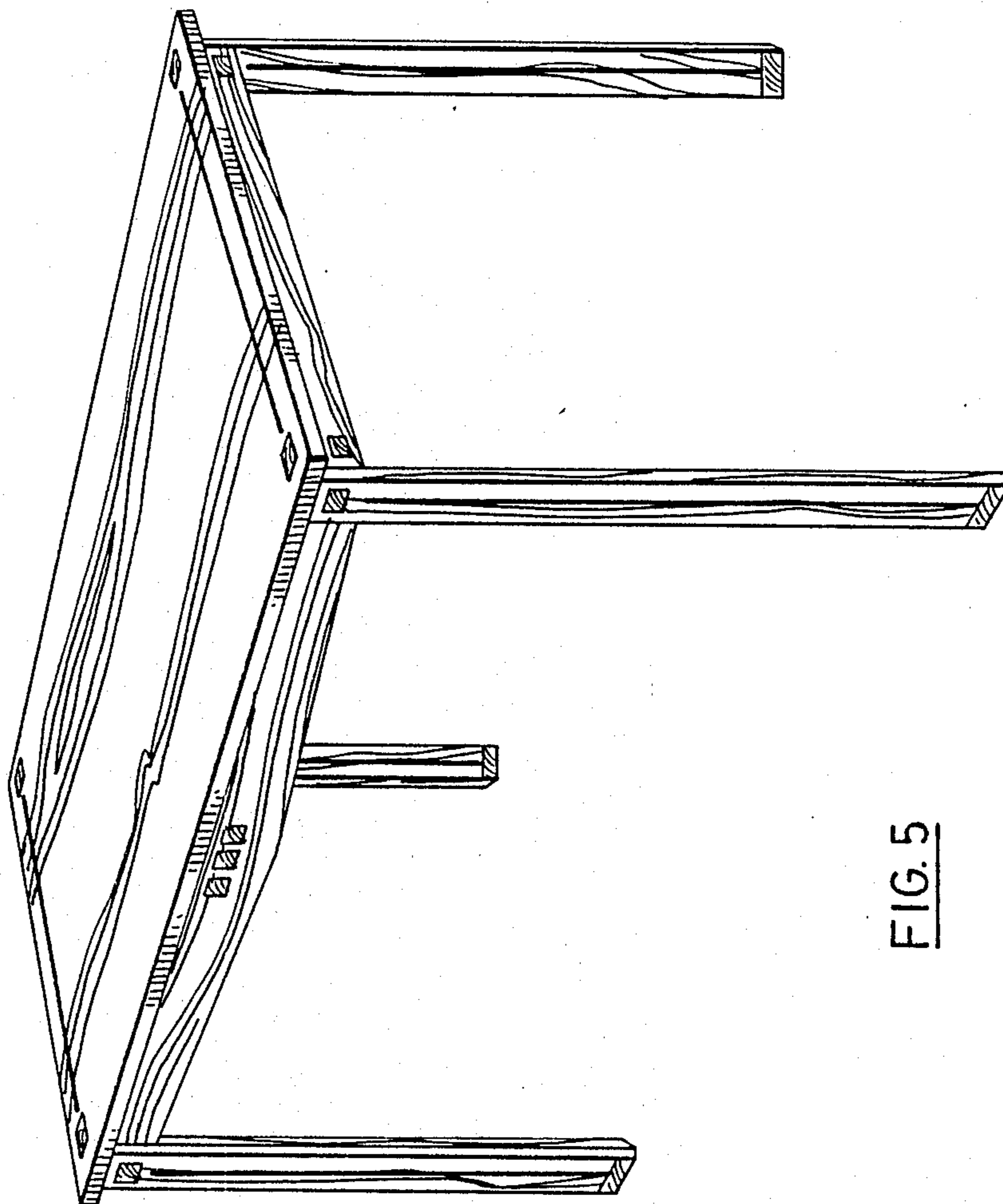


FIG. 5