

[54] **STACKABLE CHAIR OR SIMILAR ARTICLE**

[75] **Inventor:** Koni Ochsner, Wettingen,
Switzerland

[73] **Assignee:** Giroflex Entwicklungs AG, Koblenz,
Switzerland

[*] **Notice:** The portion of the term of this patent
subsequent to Nov. 15, 2002 has been
disclaimed.

[**] **Term:** 14 Years

[21] **Appl. No.:** 902,388

[22] **Filed:** Aug. 29, 1986

[30] **Foreign Application Priority Data**

May 15, 1986 [CH] Switzerland DM/006 926
[52] **U.S. Cl.** D6/380
[58] **Field of Search** D6/334, 364, 365, 366,
D6/379, 480, 498; 297/452, 448, 451, 445

[56]

References Cited

U.S. PATENT DOCUMENTS

D. 273,639 5/1984 Cafiero D6/366
D. 274,771 7/1984 Ambasz D6/379 X
D. 289,707 5/1987 Favaretto D6/498 X
D. 292,149 10/1987 Monesi D6/380

Primary Examiner—Winifred E. Herrmann
Attorney, Agent, or Firm—Werner W. Kleeman

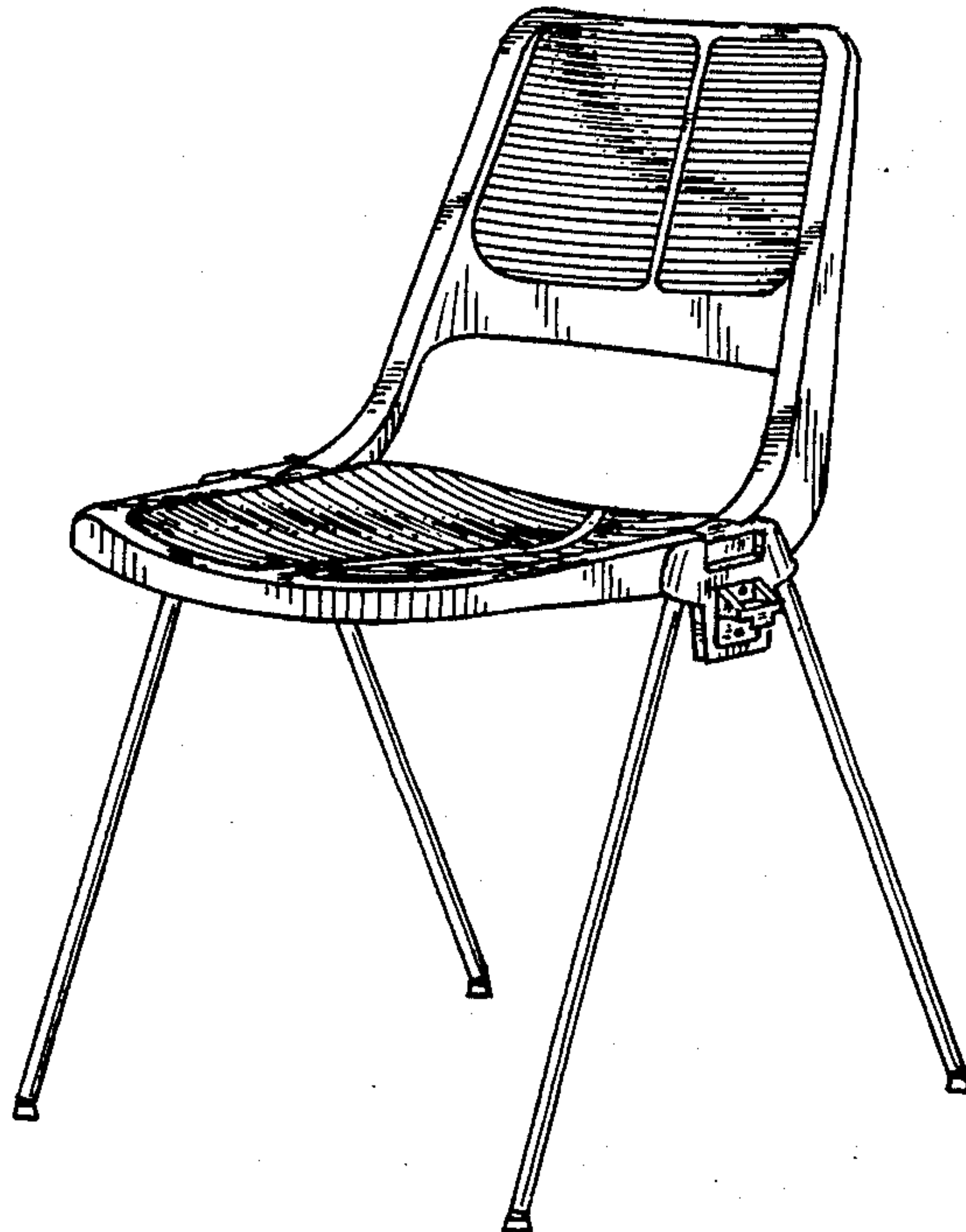
[57]

CLAIM

The ornamental design for stackable chair or similar
article, as shown and described.

DESCRIPTION

FIG. 1 is a top front and right side perspective view of
a stackable chair or similar article showing my new
design;
FIG. 2 is a front elevational view thereof;
FIG. 3 is a left side elevational view thereof;
FIG. 4 is a right side elevational view thereof;
FIG. 5 is a rear elevational view thereof;
FIG. 6 is a top plan view thereof; and
FIG. 7 is a bottom plan view thereof.



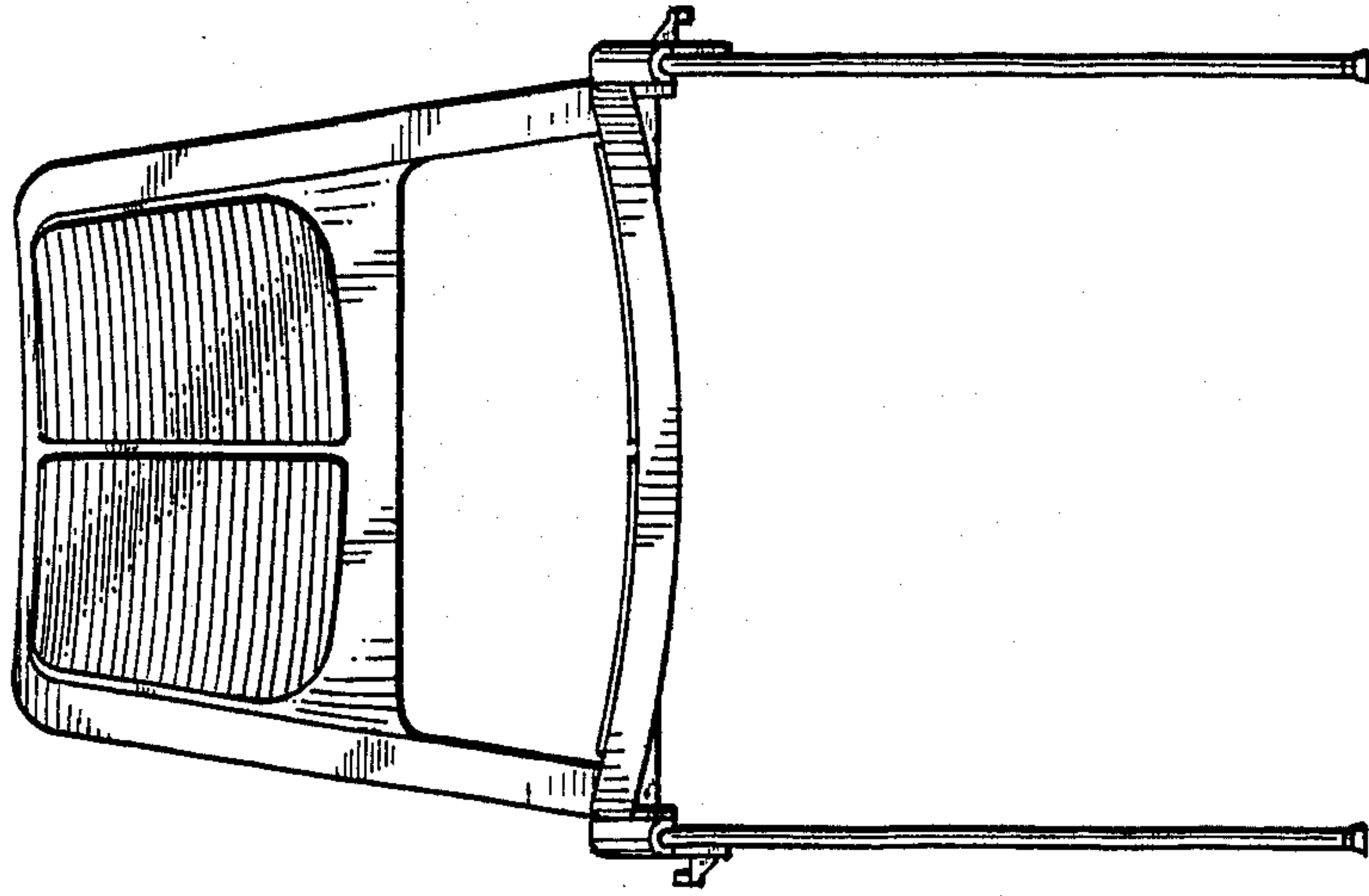


Fig. 2

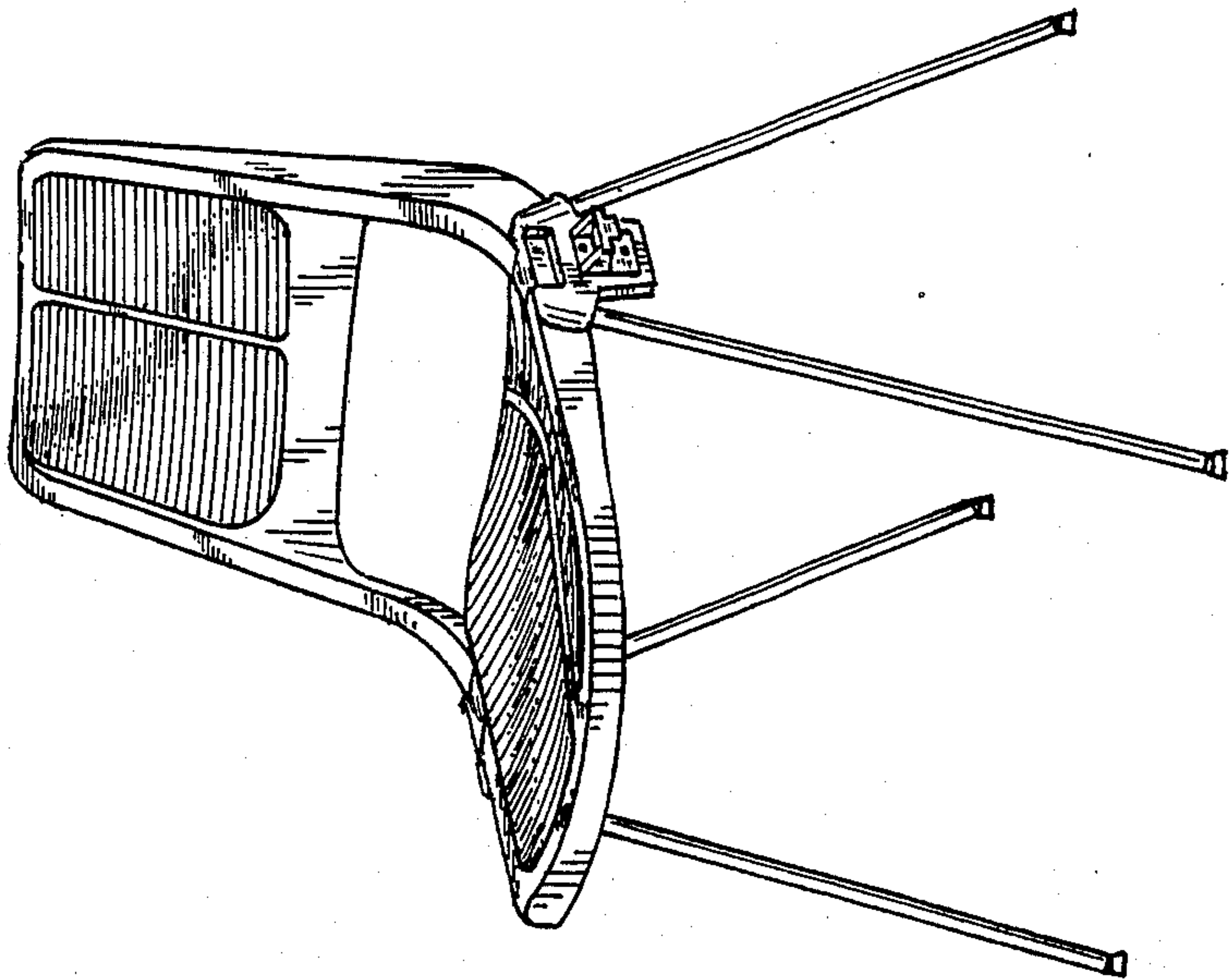


Fig. 1

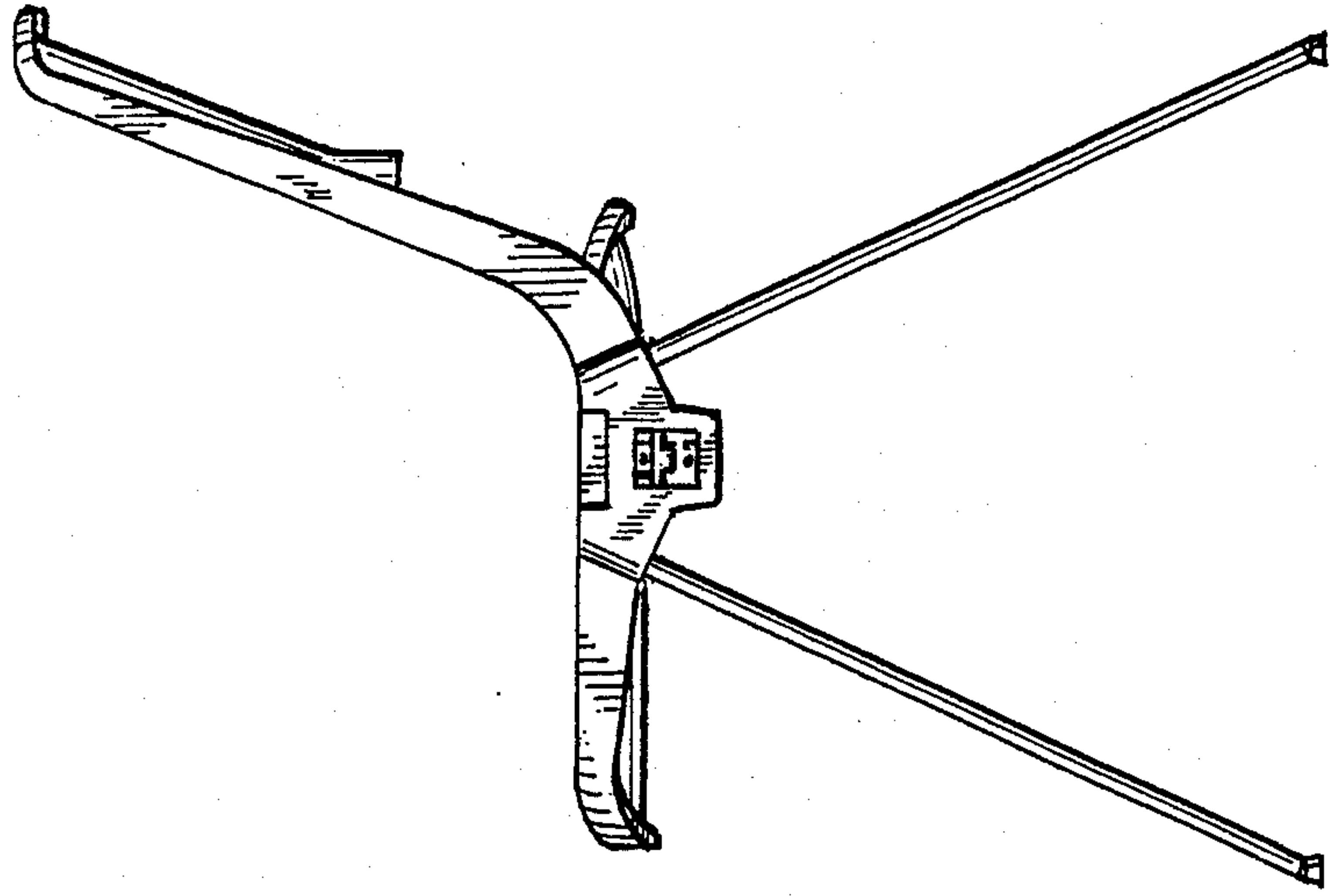


Fig. 4

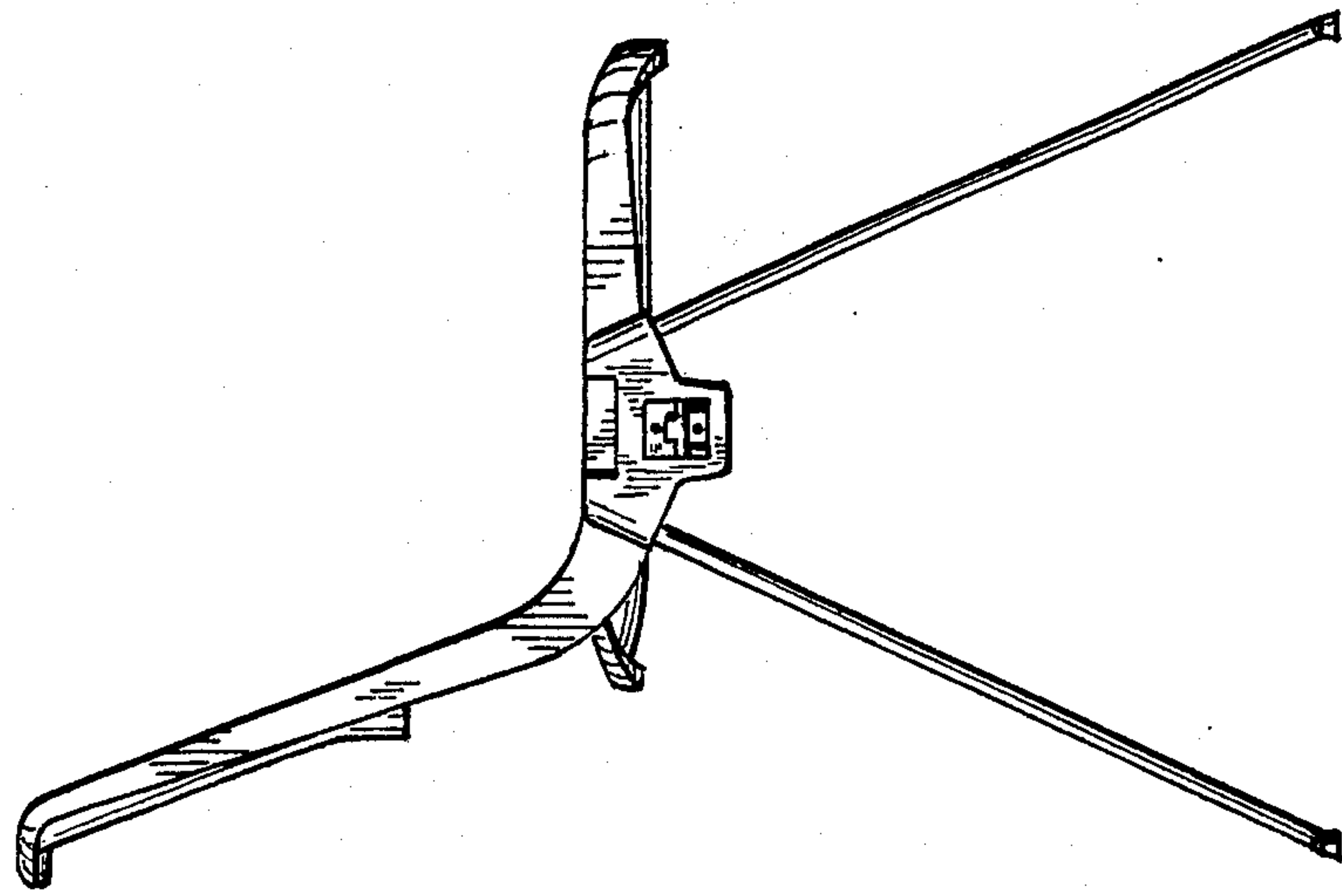


Fig. 3

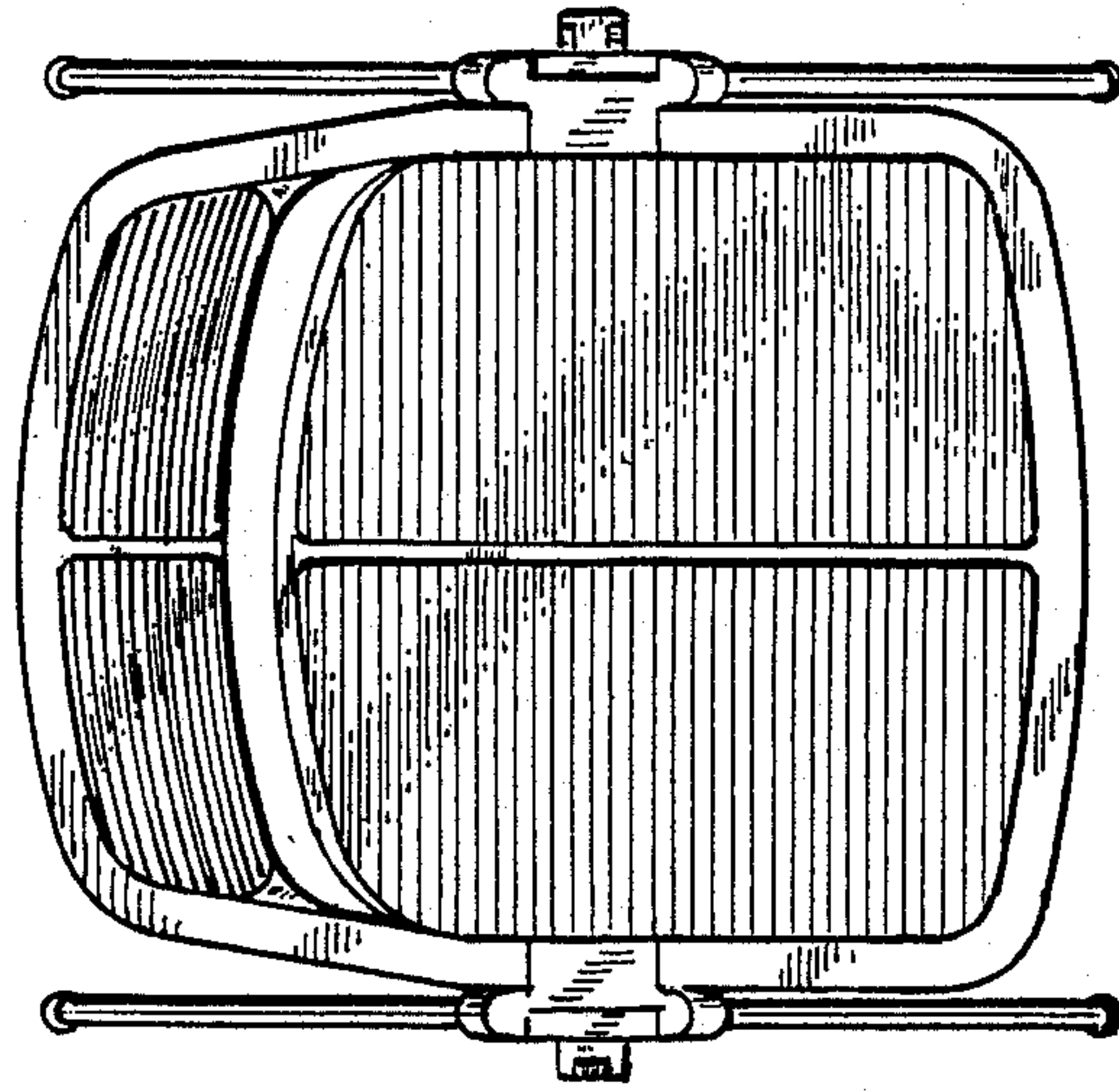


Fig. 6

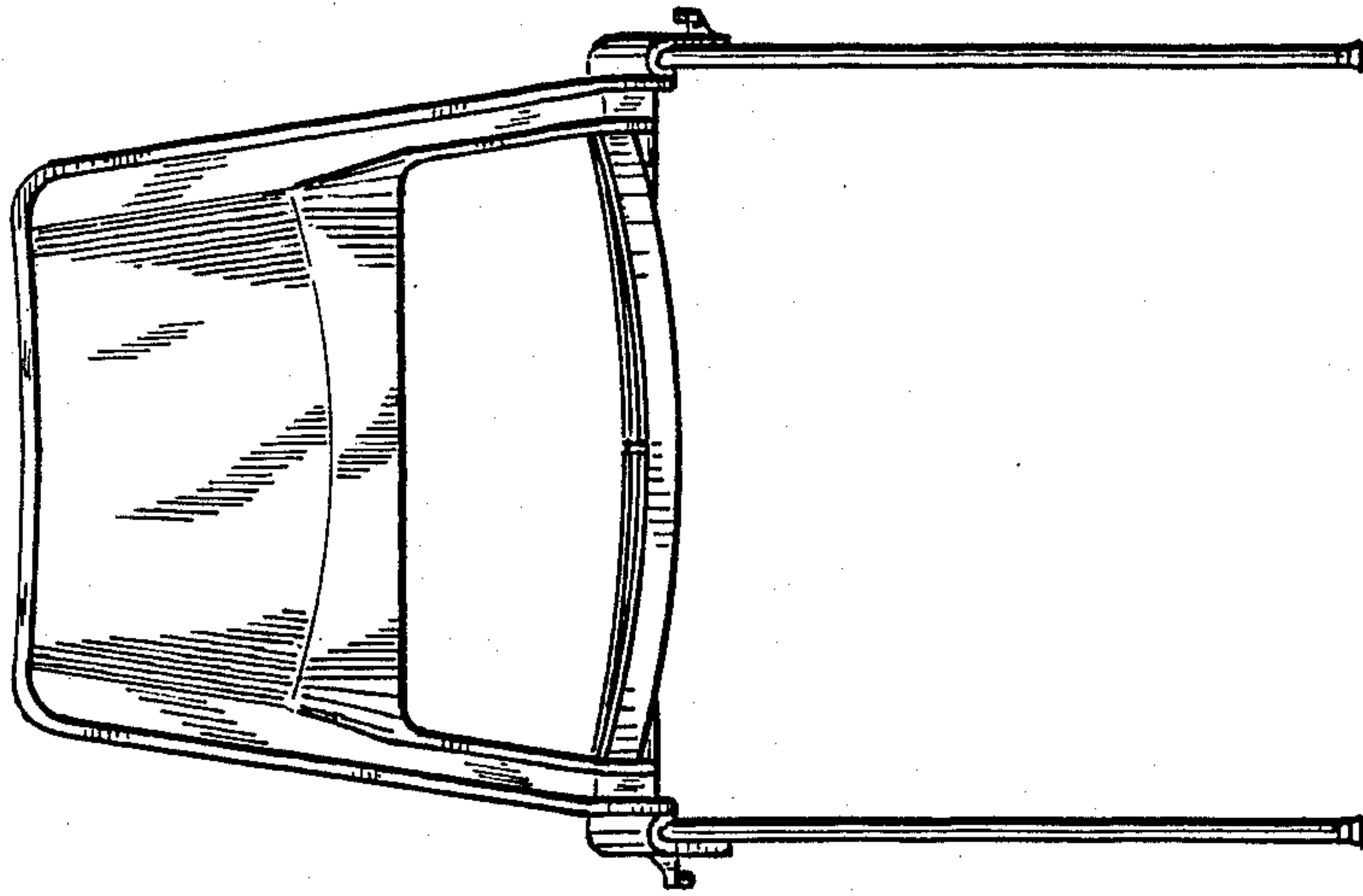


Fig. 5

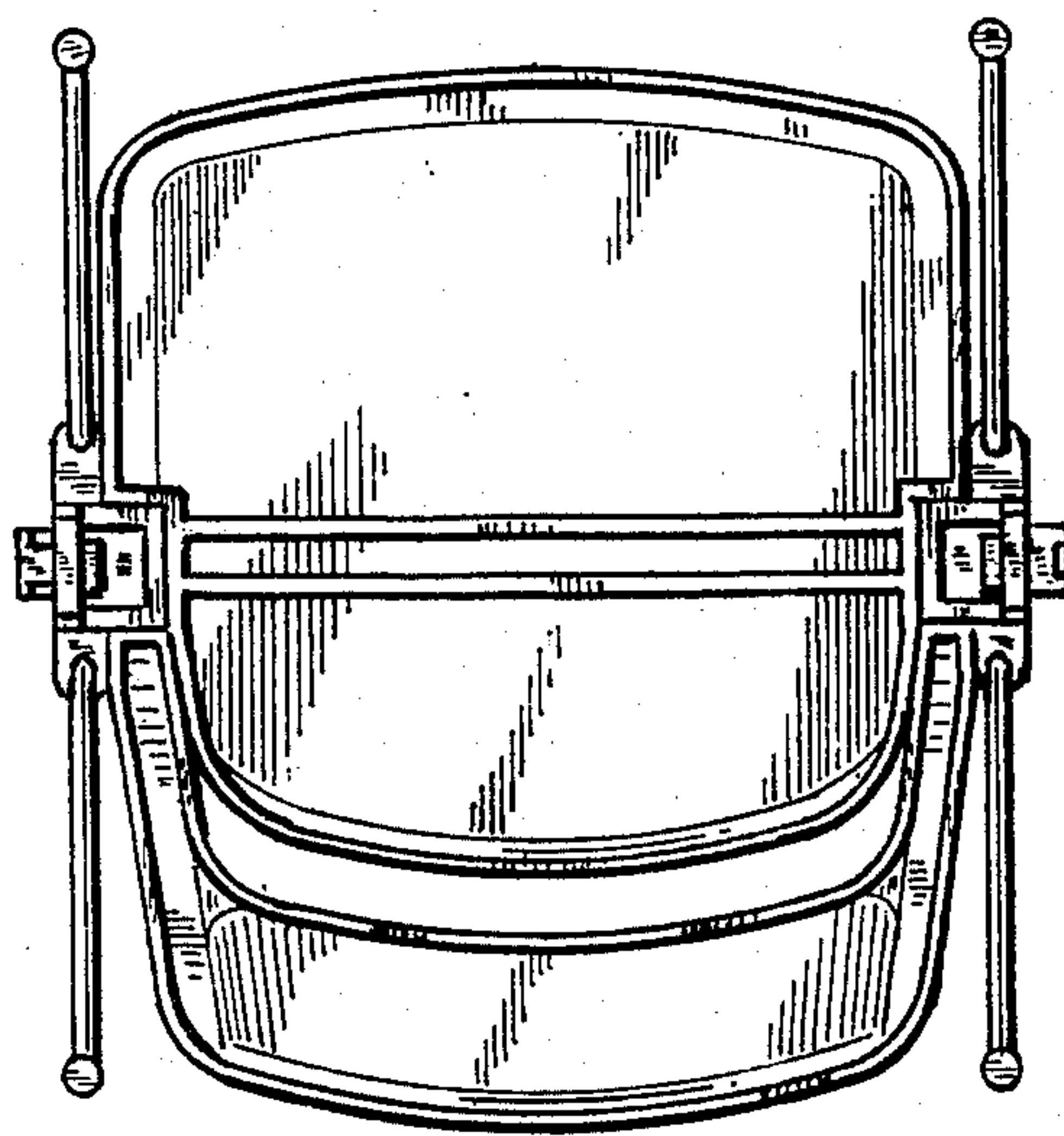


Fig. 7