

[54] **TABLE LAMP**

[75] **Inventor: Toshiaki Sakai, Niigata, Japan**

[73] **Assignee: Twinbird Industrial Company Limited, Japan**

[**] **Term: 14 Years**

[21] **Appl. No.: 91,941**

[22] **Filed: Sep. 1, 1987**

[52] **U.S. Cl. D26/107; D26/63**

[58] **Field of Search D26/93, 102-112, D26/60-65; 362/134, 410, 411, 412, 413, 414, 269, 270, 275, 287, 418, 419, 427**

[56] **References Cited**

U.S. PATENT DOCUMENTS

- D. 151,855 11/1948 Nitardy D26/65
- D. 226,496 3/1973 Duern et al. D26/107

FOREIGN PATENT DOCUMENTS

111691 9/1944 Sweden 362/414

OTHER PUBLICATIONS

Domus, 12-1984, p. Ads-69, Adjustable Lamp.
Office Product Dealer, 5-1985, p. 85, Portable Lamp BF-602E.

Primary Examiner—Susan J. Lucas
Attorney, Agent, or Firm—Steele, Gould & Fried

[57] **CLAIM**

The ornamental design for table lamp, as shown.

DESCRIPTION

FIG. 1 is a top, front perspective view of a table lamp showing my new design;
FIG. 2 is a rear elevational view thereof;
FIG. 3 is a side elevational view thereof, the opposite side being a mirror image;
FIG. 4 is a bottom plan view thereof.

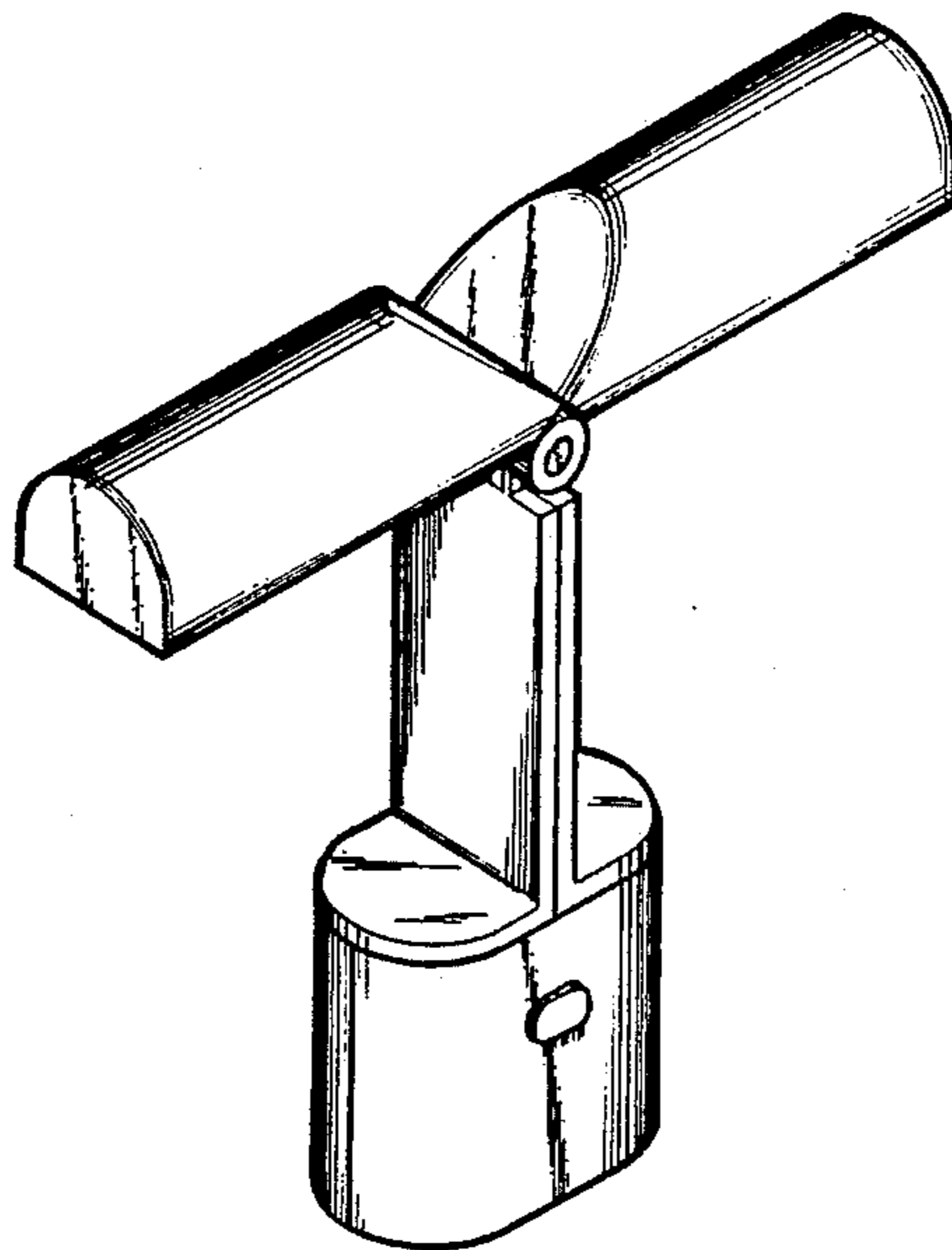


FIG. 1

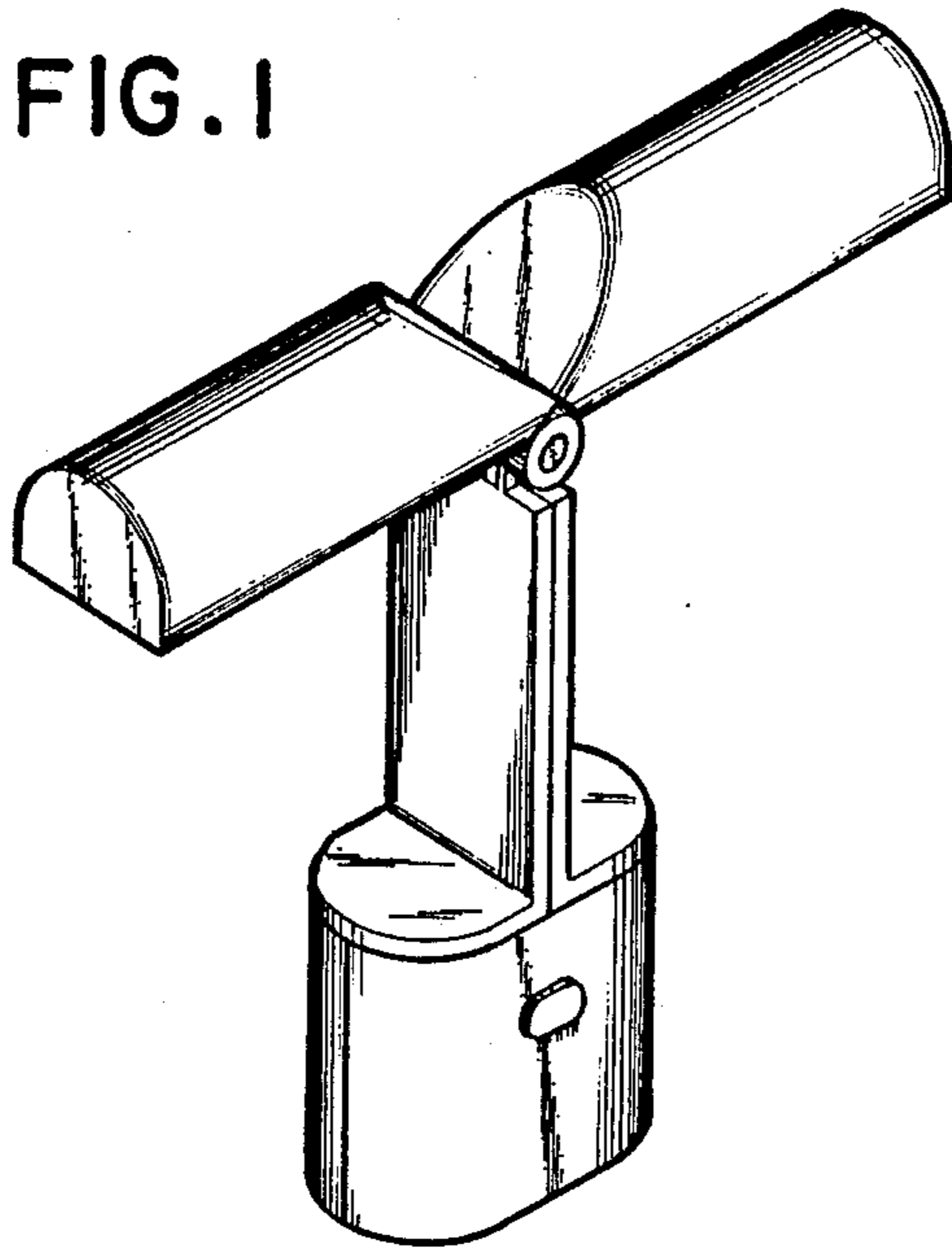


FIG. 2

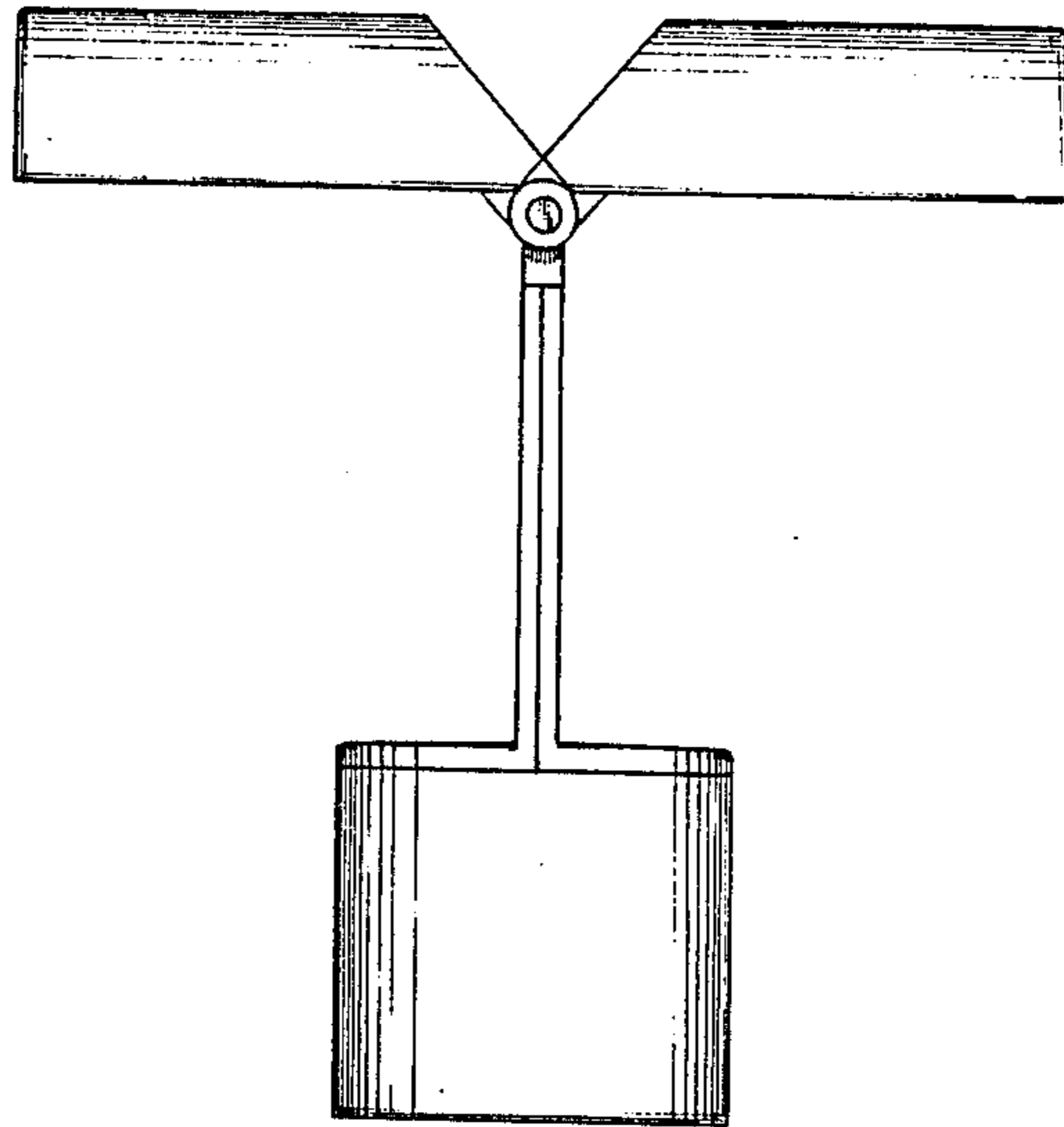


FIG. 3

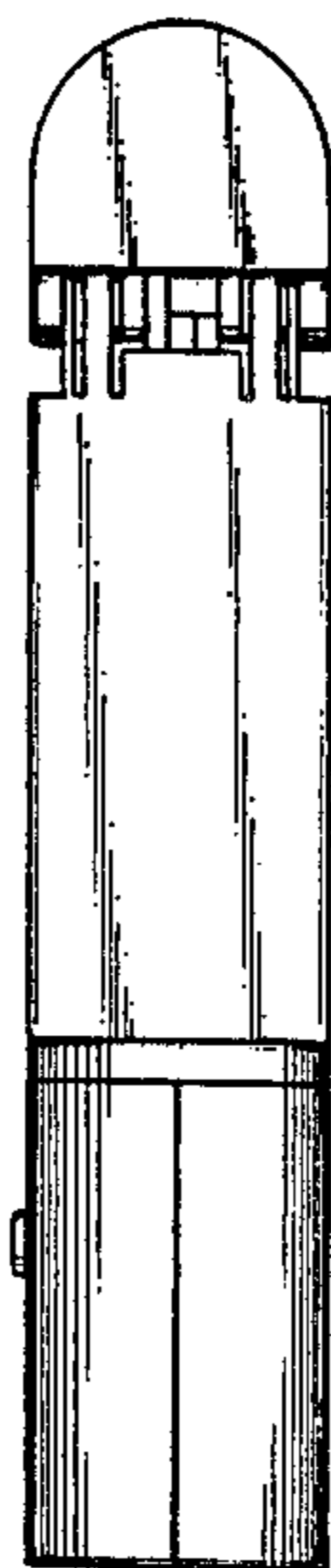


FIG. 4

