

[54] HANGING LAMP

[76] Inventor: Ingo Maurer, Kaiserstrasse 47, D-8000 München 40, Fed. Rep. of Germany

[**] Term: 14 Years

[21] Appl. No.: 171,541

[22] Filed: Mar. 22, 1988

Related U.S. Application Data

[62] Division of Ser. No. 713,239, Mar. 18, 1985, Pat. No. Des. 296,139.

[30] Foreign Application Priority Data

Sep. 19, 1984 [DE] Fed. Rep. of Germany 11 AR 3528/84

[52] U.S. Cl. D26/85

[58] Field of Search D26/72-92; 362/404-408, 362, 363

[56] References Cited

U.S. PATENT DOCUMENTS

D. 264,136 4/1982 Castiglioni D26/85

D. 285,977 9/1986 De Pas et al. D26/85 X
640,585 1/1900 Palmer D26/86 X

OTHER PUBLICATIONS

Abitare, 4-1983, p. 161, Suspended Light Fixture, (gr. 290-ceiling lamp box).
Domus, 7-1983, p. 85, "Stilla", suspended light fixture (right) (gr. 290-ceiling lamp box).

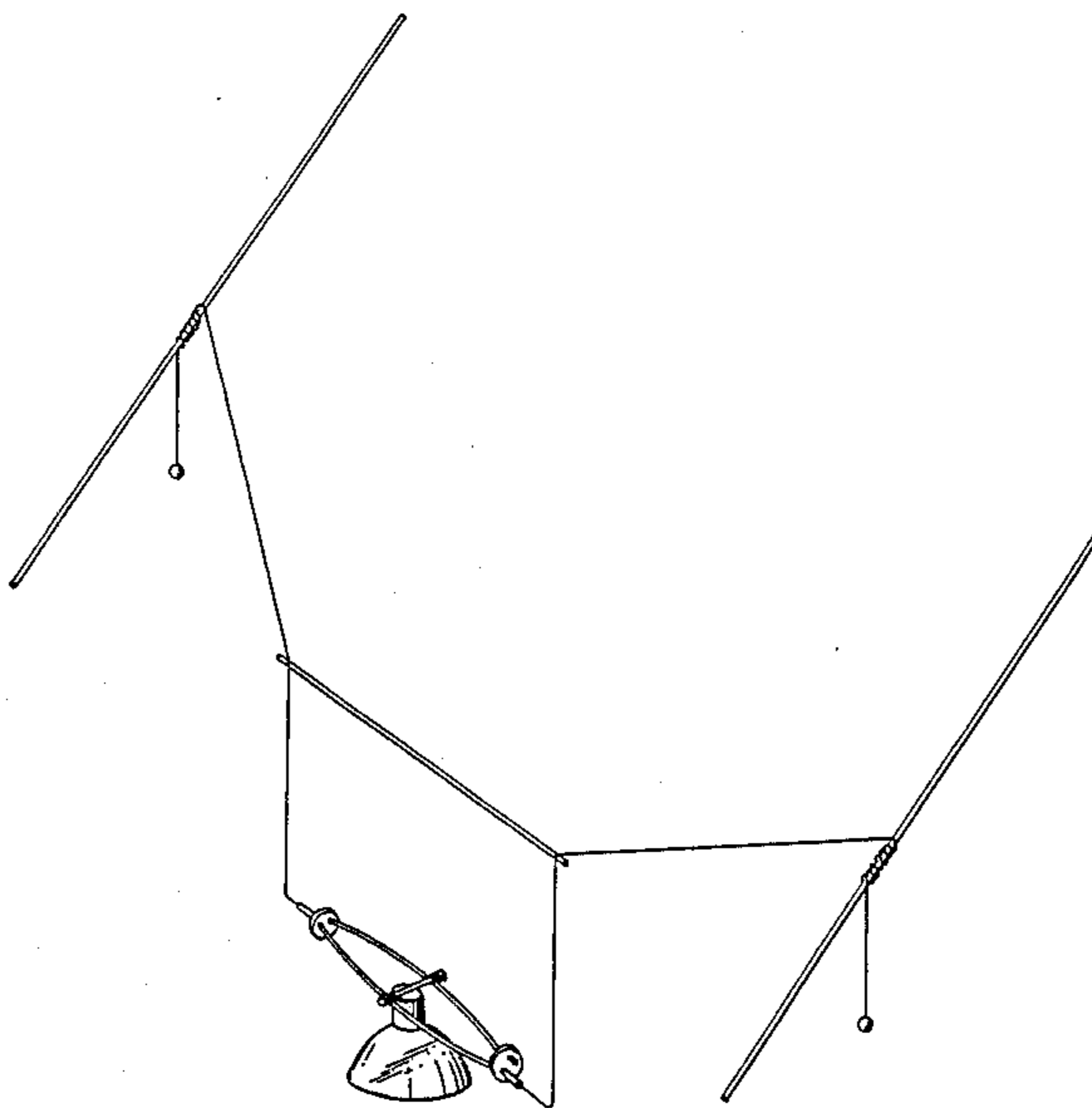
Primary Examiner—Susan J. Lucas
Attorney, Agent, or Firm—Birch, Stewart, Kolasch & Birch

[57] CLAIM

The ornamental design for a hanging lamp, as shown.

DESCRIPTION

FIG. 1 is a side elevational view of a hanging lamp showing my new design, the opposite side being a mirror image;
FIG. 2 is a side elevational view thereof taken 90 degrees from the side shown in FIG. 1, the opposite side being a mirror image;
FIG. 3 is a bottom plan view thereof;
FIG. 4 is a top plan view thereof;
FIG. 5 is a top perspective view thereof.



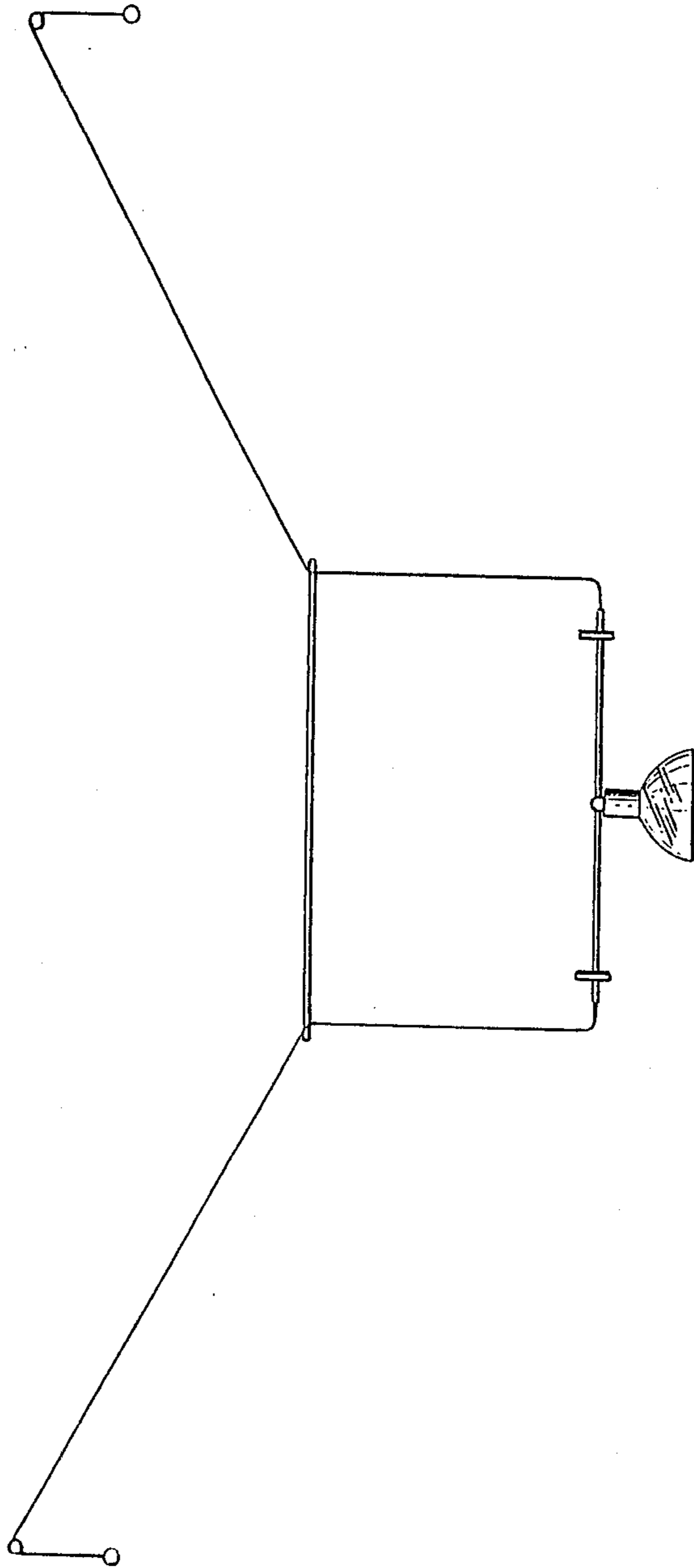


FIG. 1

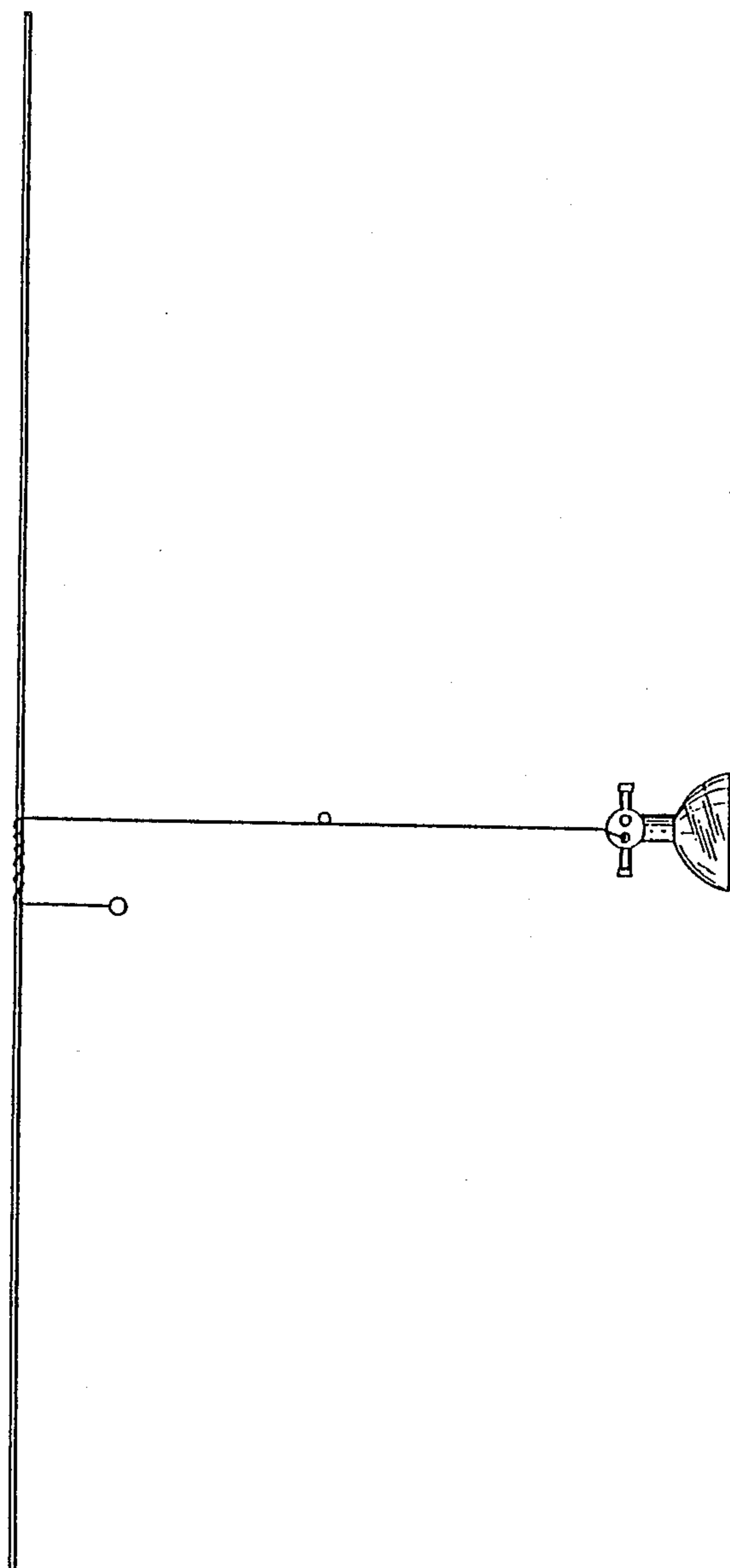


FIG. 2

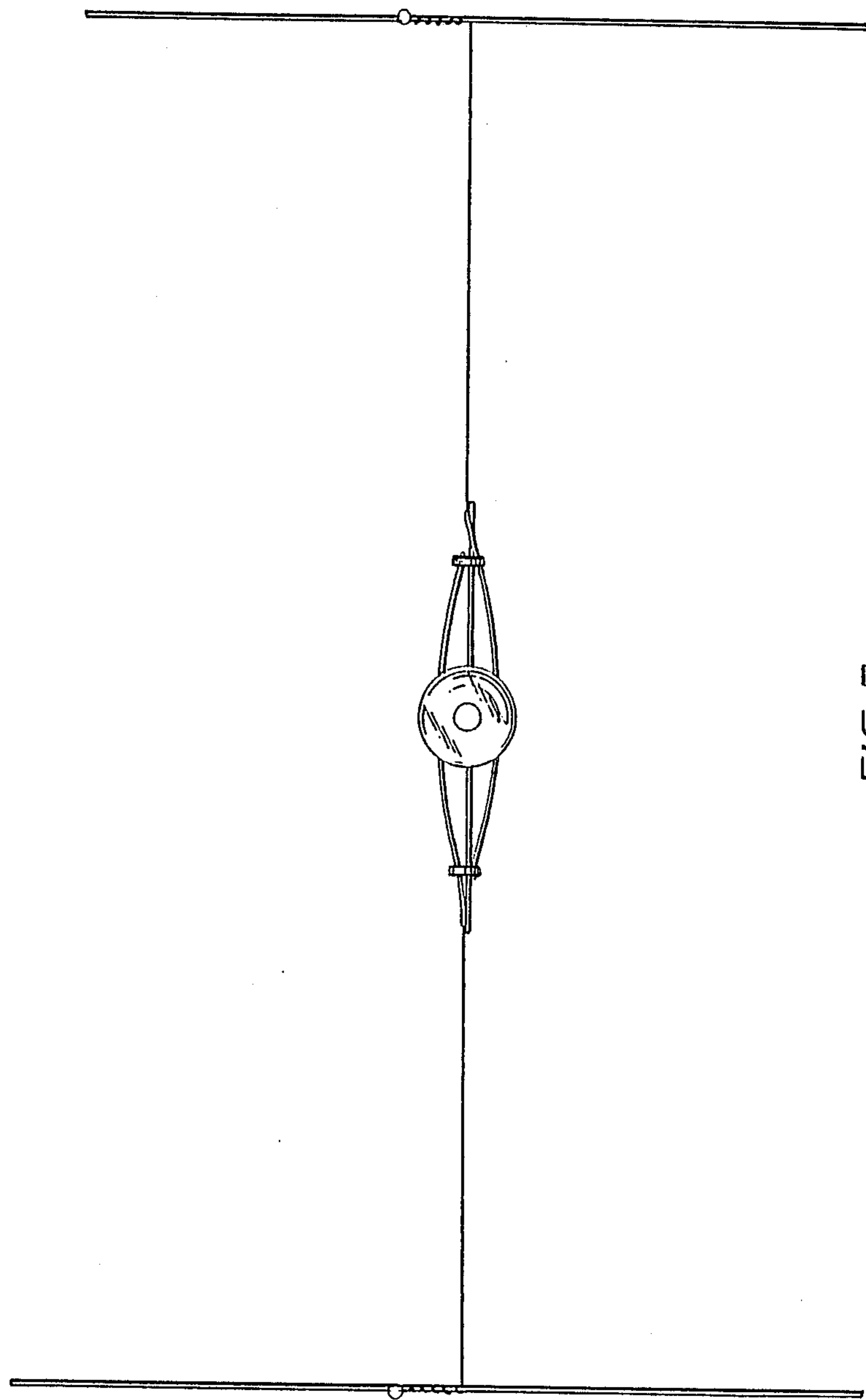


FIG. 3

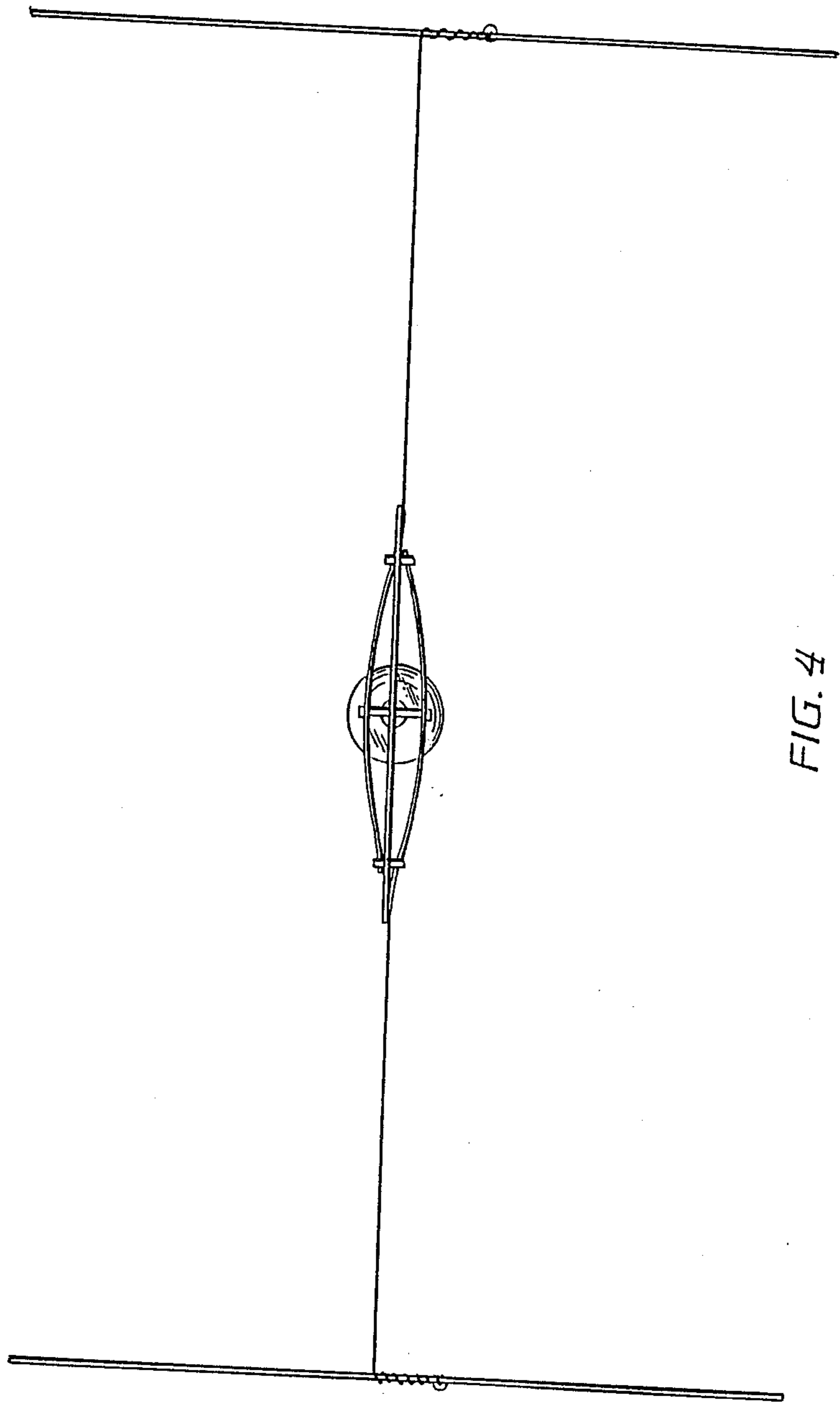


FIG. 4

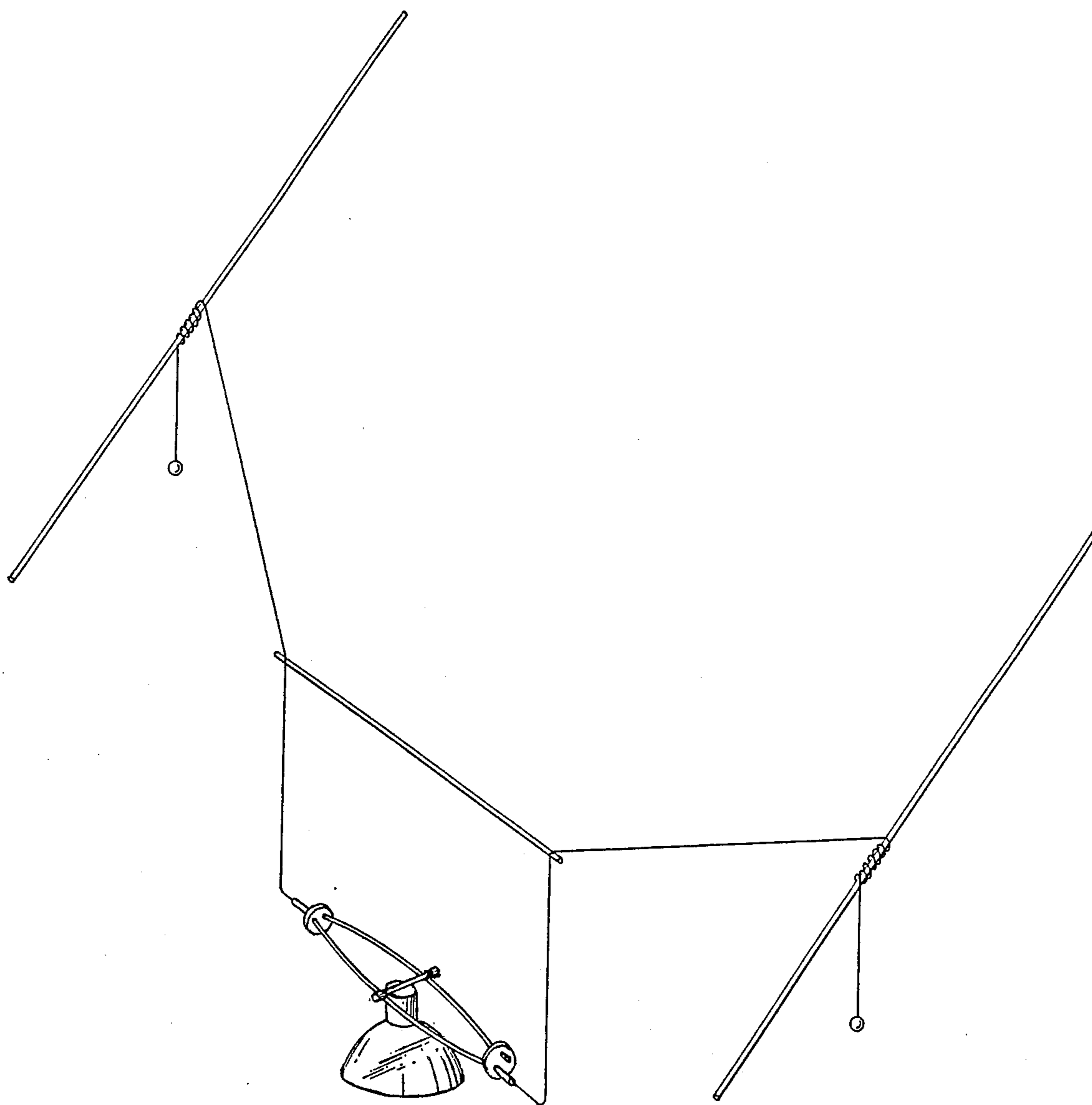


FIG. 5