

United States Patent [19]

Thompson et al.

[11] Patent Number: Des. 300,873

[45] Date of Patent: ** Apr. 25, 1989

[54] RECESSED FLUORESCENT LIGHTING FIXTURE

[75] Inventors: Neil J. Thompson, Granville, Ohio;
John R. Brass, San Anselmo, Calif.;
Herbert A. Fouke, Newark; Mark
San George, Westerville, both of
Ohio

[73] Assignee: Manville Corporation, Denver, Colo.

[**] Term: 14 Years

[21] Appl. No.: 10,047

[22] Filed: Feb. 2, 1987

[52] U.S. Cl. D26/74; D26/78

[58] Field of Search D26/72-92;
362/217, 222, 223, 33, 147, 362, 363

[56] References Cited

U.S. PATENT DOCUMENTS

D. 106,873 11/1937 Stewart D26/74 X

D. 153,313 4/1949 Phillips D26/74 X

OTHER PUBLICATIONS

Thomas Lighting catalog, M-177, ©1980, p. 147, recessed lighting fixture R344-W.

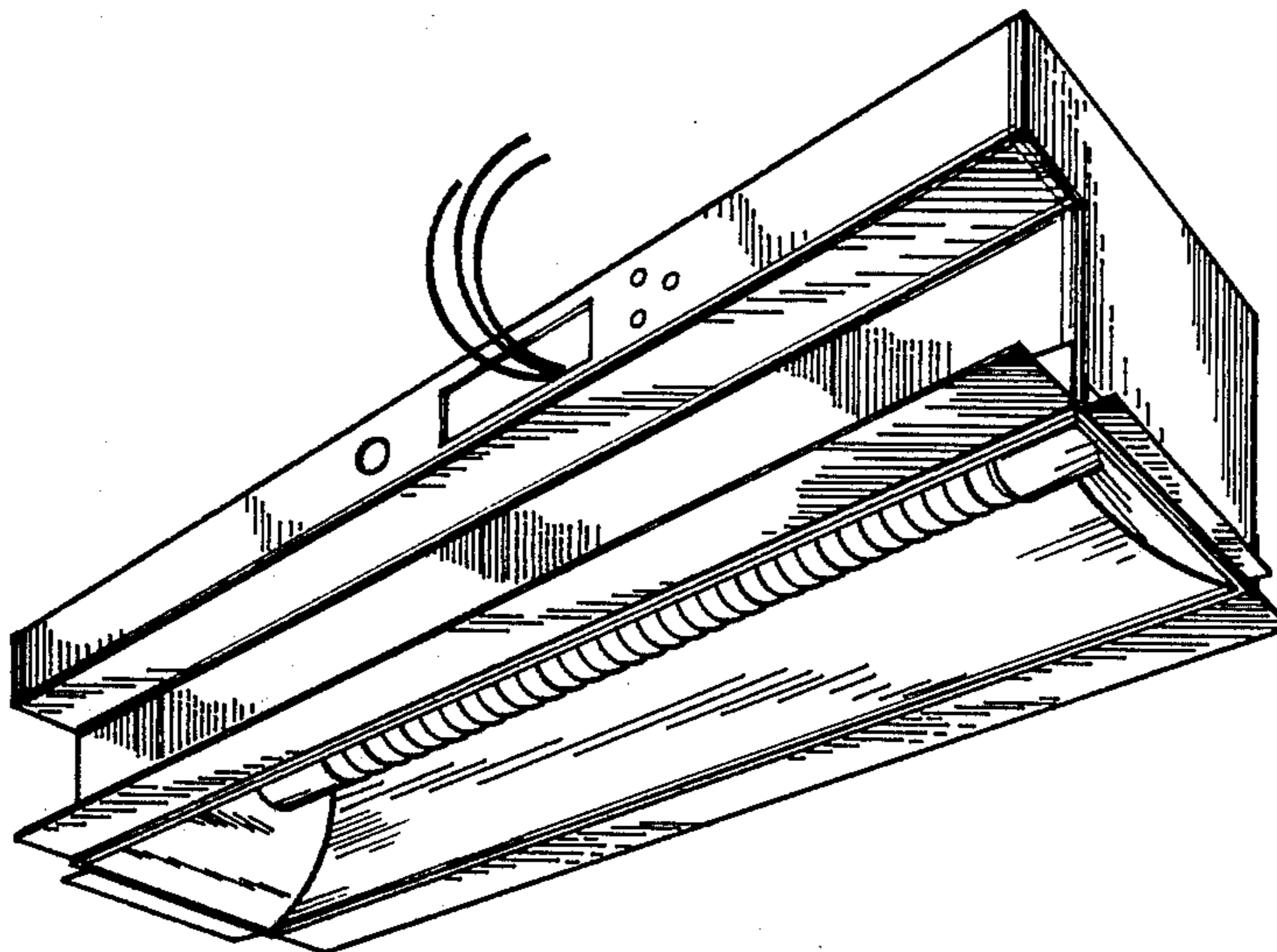
Primary Examiner—Susan J. Lucas
Attorney, Agent, or Firm—John D. Lister; Cornelius P. Quinn

[57] CLAIM

The ornamental design for a recessed fluorescent lighting fixture, as shown and described.

DESCRIPTION

FIG. 1 is a bottom, front perspective view of a recessed fluorescent lighting fixture showing our new design; FIG. 2 is a top, rear perspective view thereof; FIG. 3 is a bottom plan view thereof; FIG. 4 is a front elevational view thereof; FIG. 5 is an end elevational view thereof as seen from the right hand end of FIG. 1.



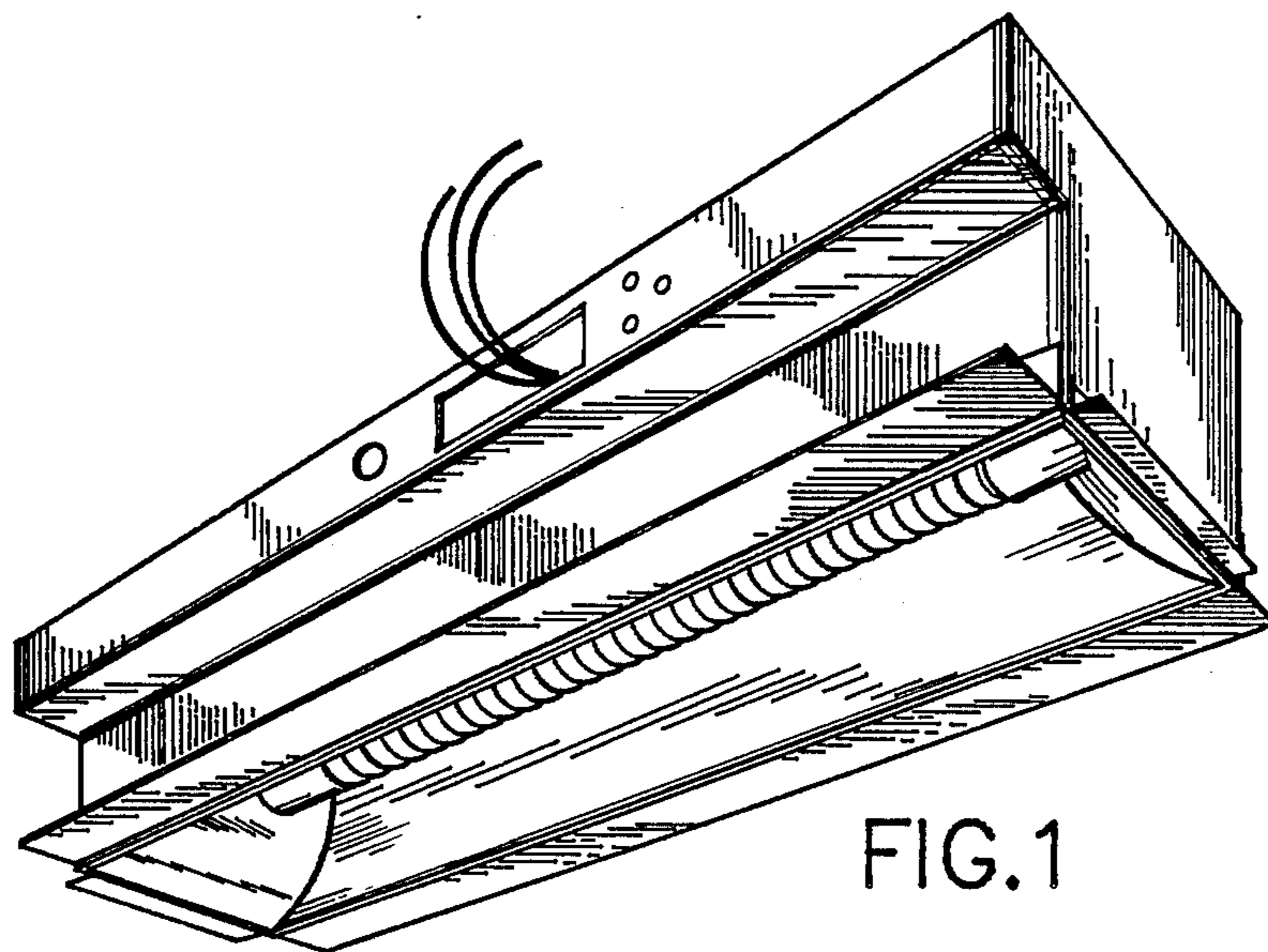


FIG. 1

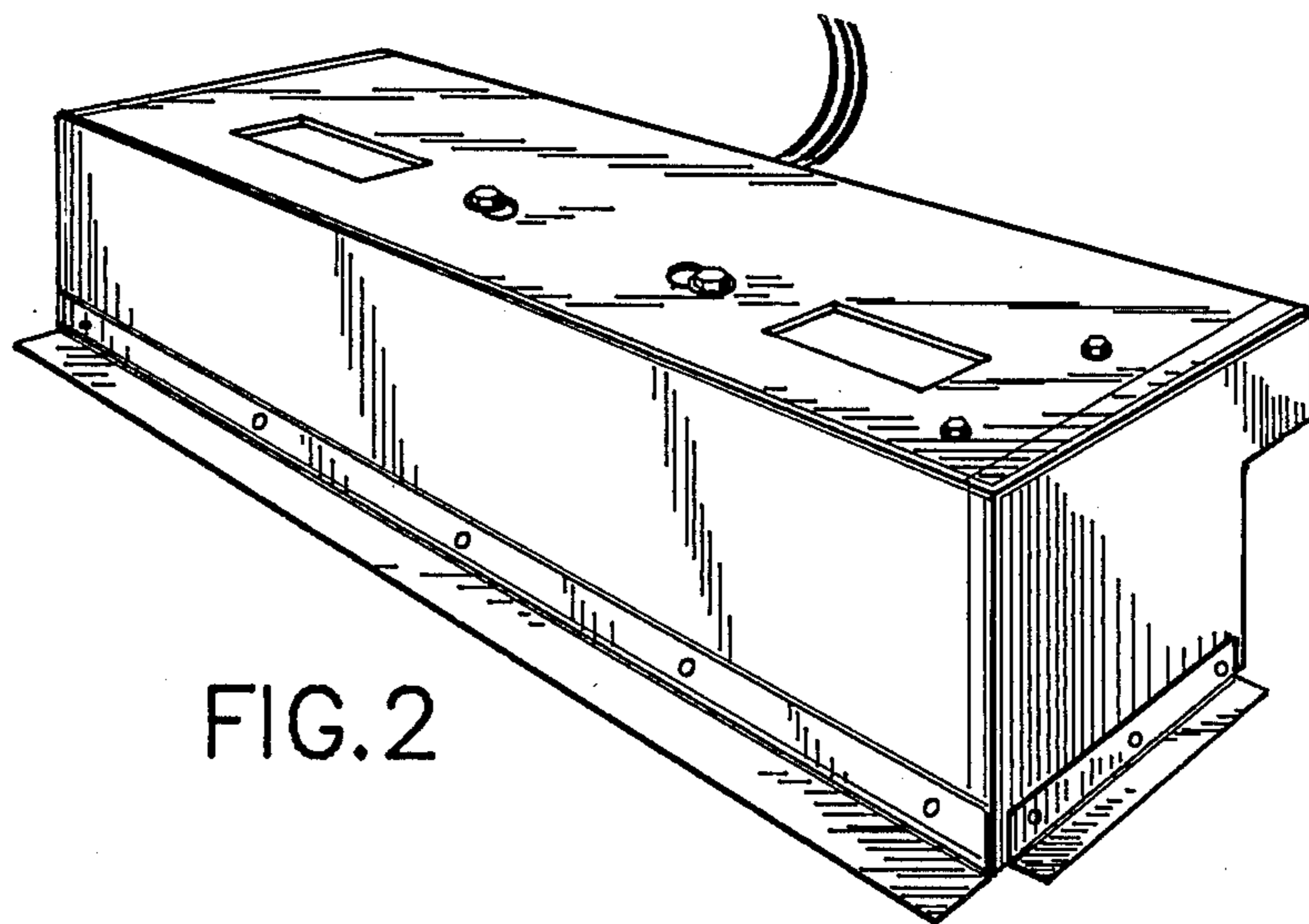


FIG. 2

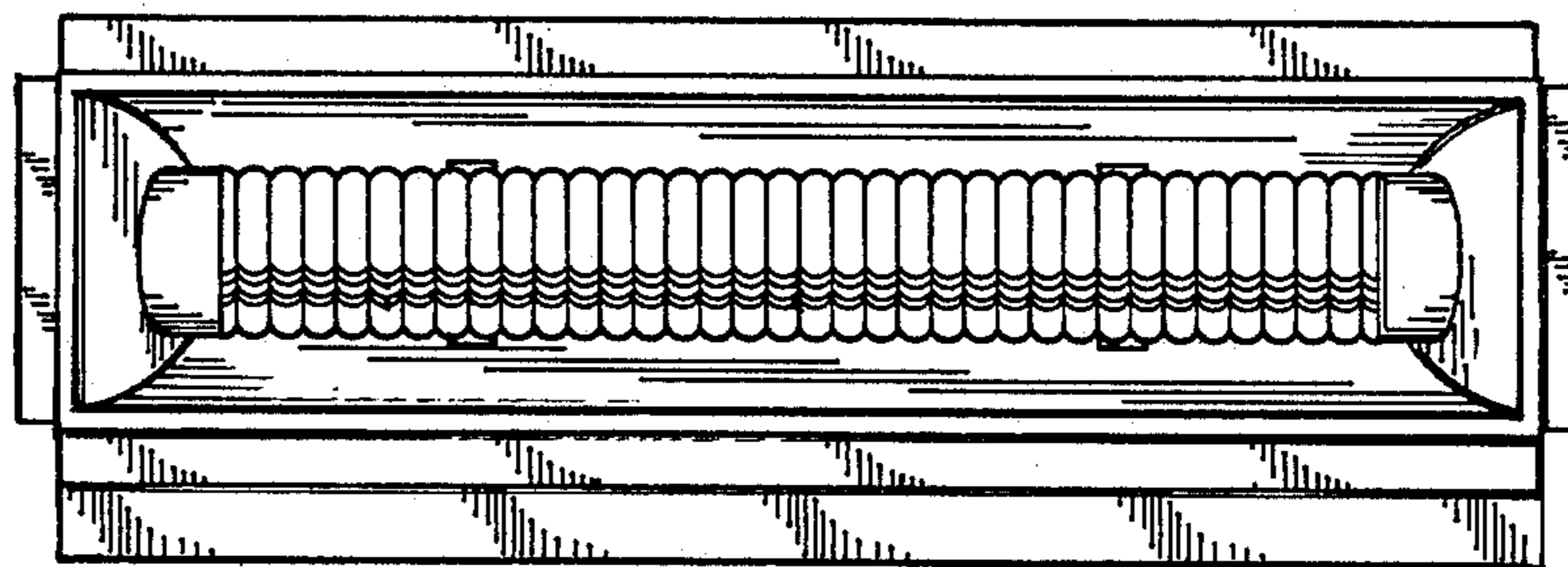


FIG. 3

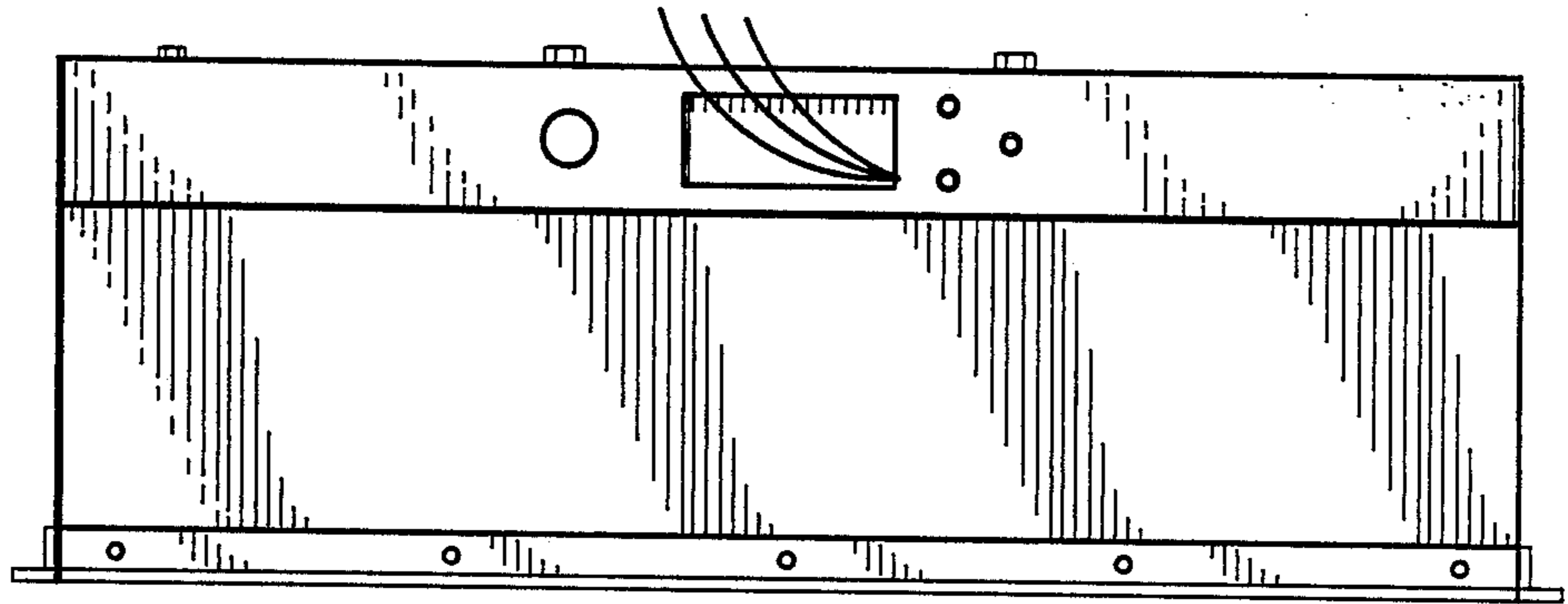


FIG. 4

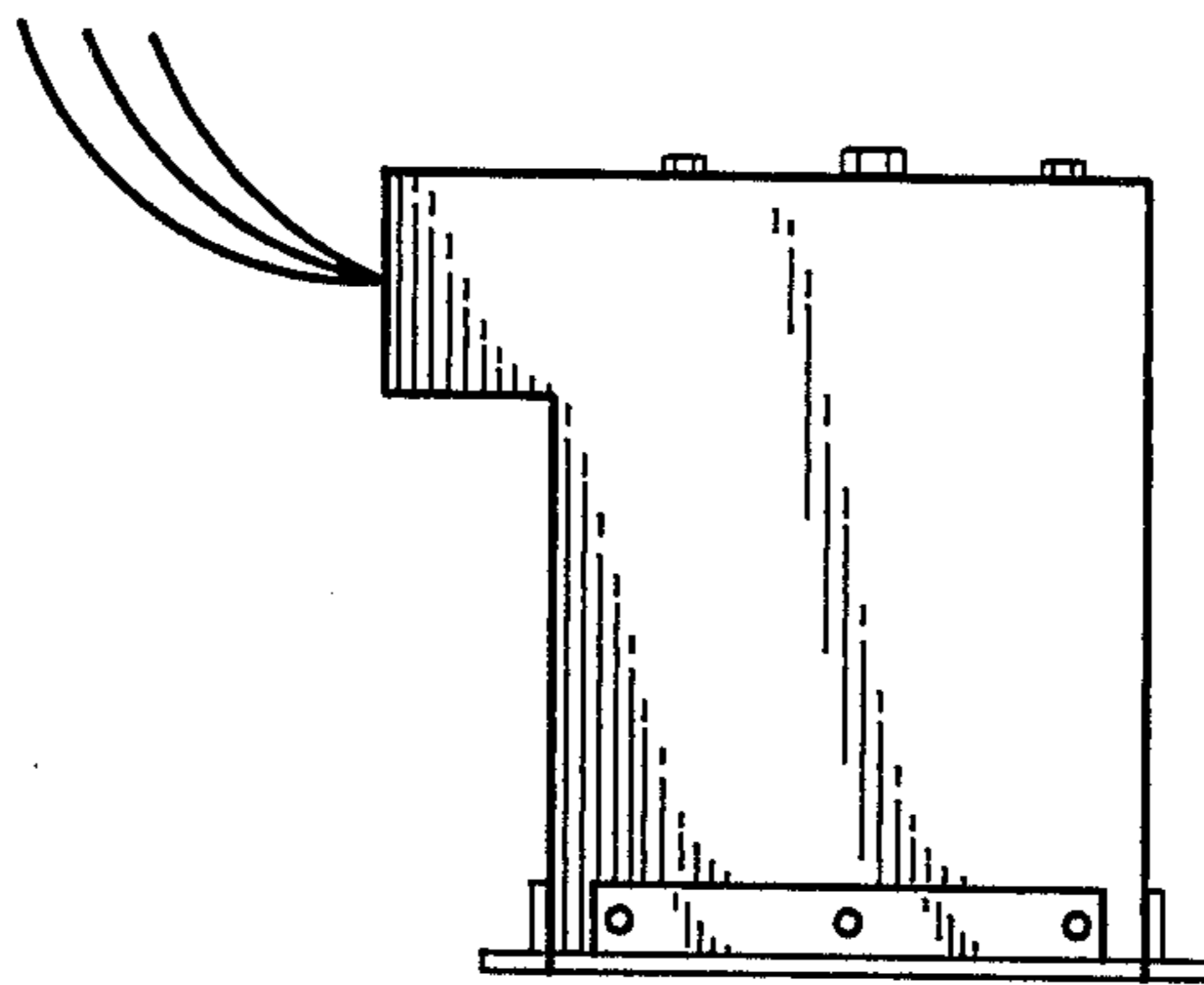


FIG. 5