

United States Patent [19]
Caffey

[11] **Patent Number: Des. 300,869**

[45] **Date of Patent: ** Apr. 25, 1989**

[54] **BODY MOUNTED LAMP**

[76] **Inventor: Bennie L. Caffey, 14511 Desplaines St., Harvey, Ill. 60426**

[**] **Term: 14 Years**

[21] **Appl. No.: 852,496**

[22] **Filed: Apr. 14, 1986**

[52] **U.S. Cl. D26/39**

[58] **Field of Search D26/37-50, D26/61, 63, 39; 362/157, 158, 183-191, 194-208, 154, 155, 156**

2,710,338	6/1955	Svalgaard	362/108
2,744,188	5/1956	Olsen et al.	362/199
3,479,498	11/1969	Lasseigne	362/184
3,514,588	5/1970	Roche	D26/37 X
3,731,084	5/1973	Trevorrow	362/108
4,178,626	12/1979	Marcus	362/155

Primary Examiner—Susan J. Lucas
Attorney, Agent, or Firm—Terry M. Gernstein

[57] **CLAIM**

The ornamental design for a body mounted lamp, as shown and described.

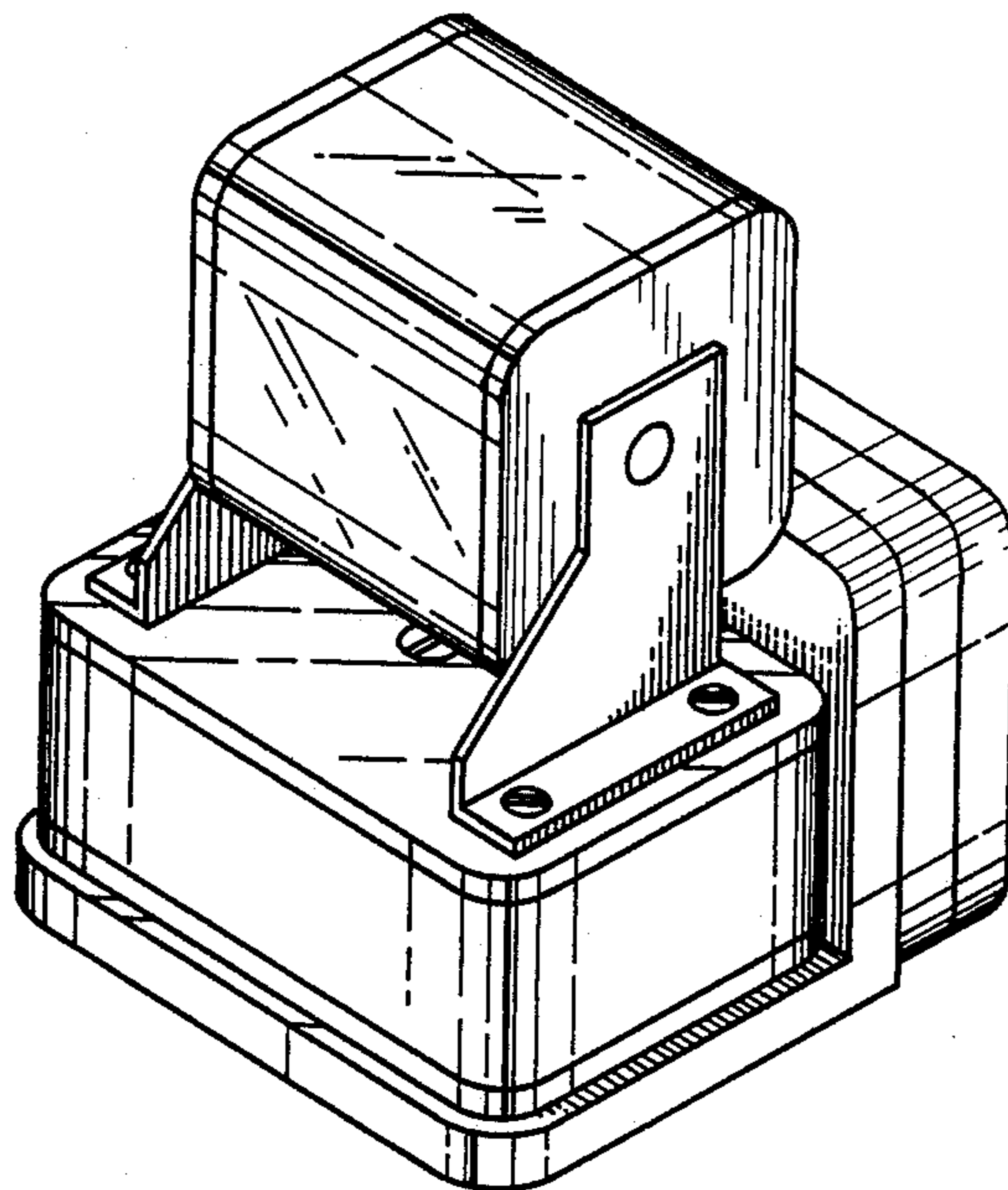
[56] **References Cited**

U.S. PATENT DOCUMENTS

D. 214,942	8/1969	Ota	D26/63
D. 234,711	4/1975	Pies	D26/39
D. 241,972	10/1976	Nau	D26/44
D. 267,819	1/1983	Birns	D26/37
D. 271,809	12/1983	Axton	D26/37
D. 271,810	12/1983	Axton	D26/37
1,470,432	10/1923	Evans	362/108

DESCRIPTION

FIG. 1 is a top, front isometric view of a body mounted lamp showing my new design;
FIG. 2 is a front elevational view thereof;
FIG. 3 is a rear elevational view thereof;
FIG. 4 is a top plan view thereof;
FIG. 5 is a side elevational view thereof, the opposite being a mirror image.
The bottom is flat and unornamented.



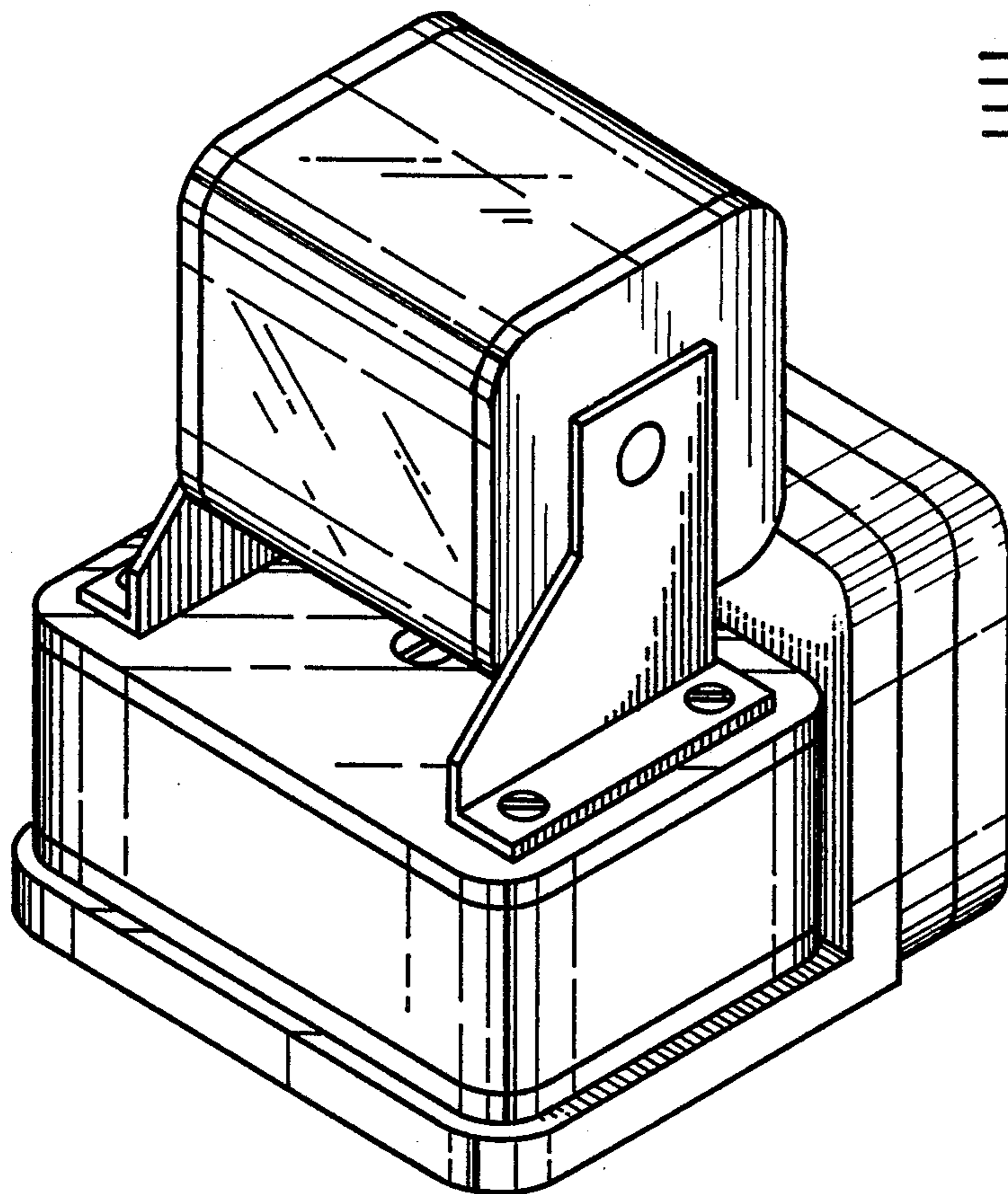


Fig. 1

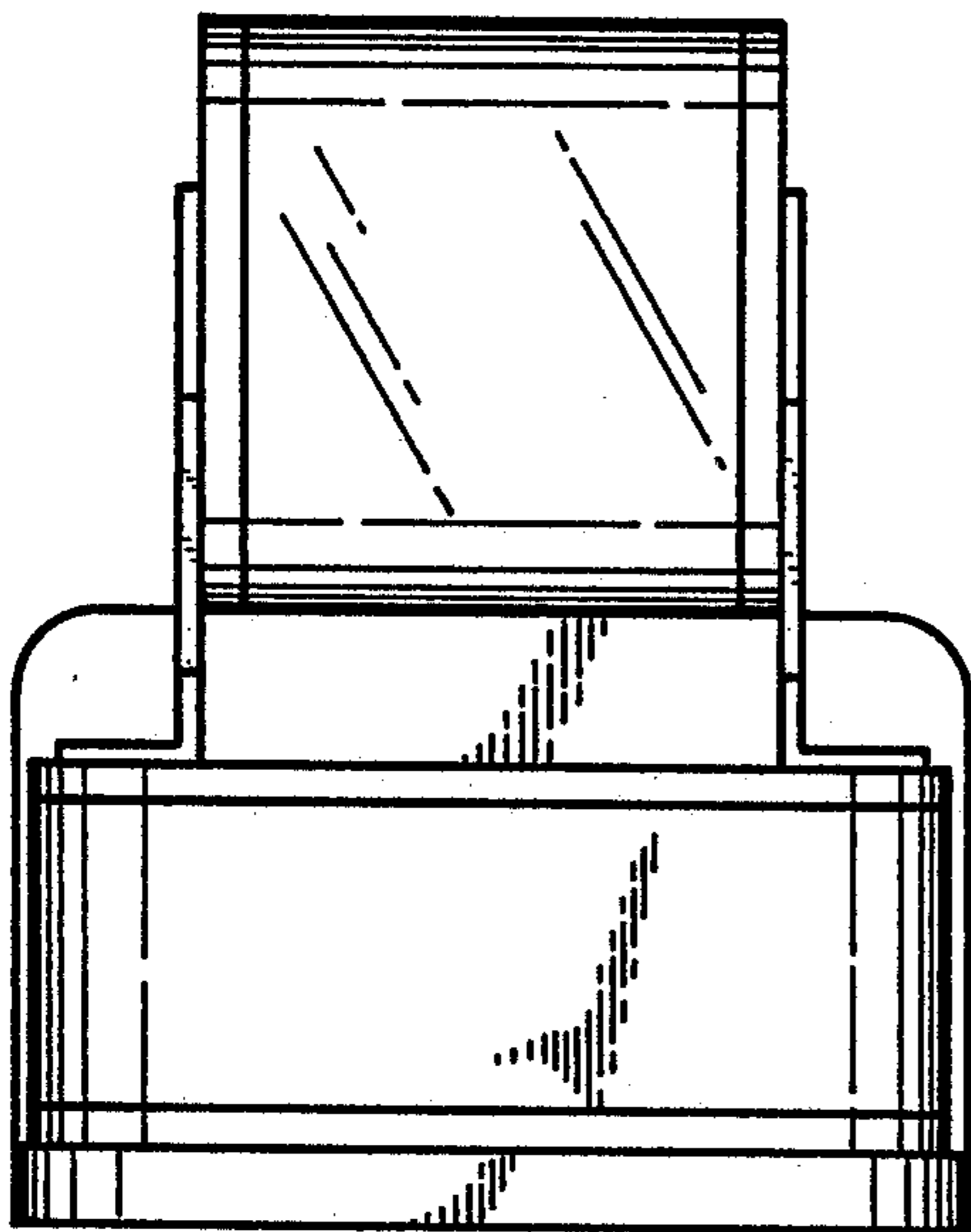


Fig. 2

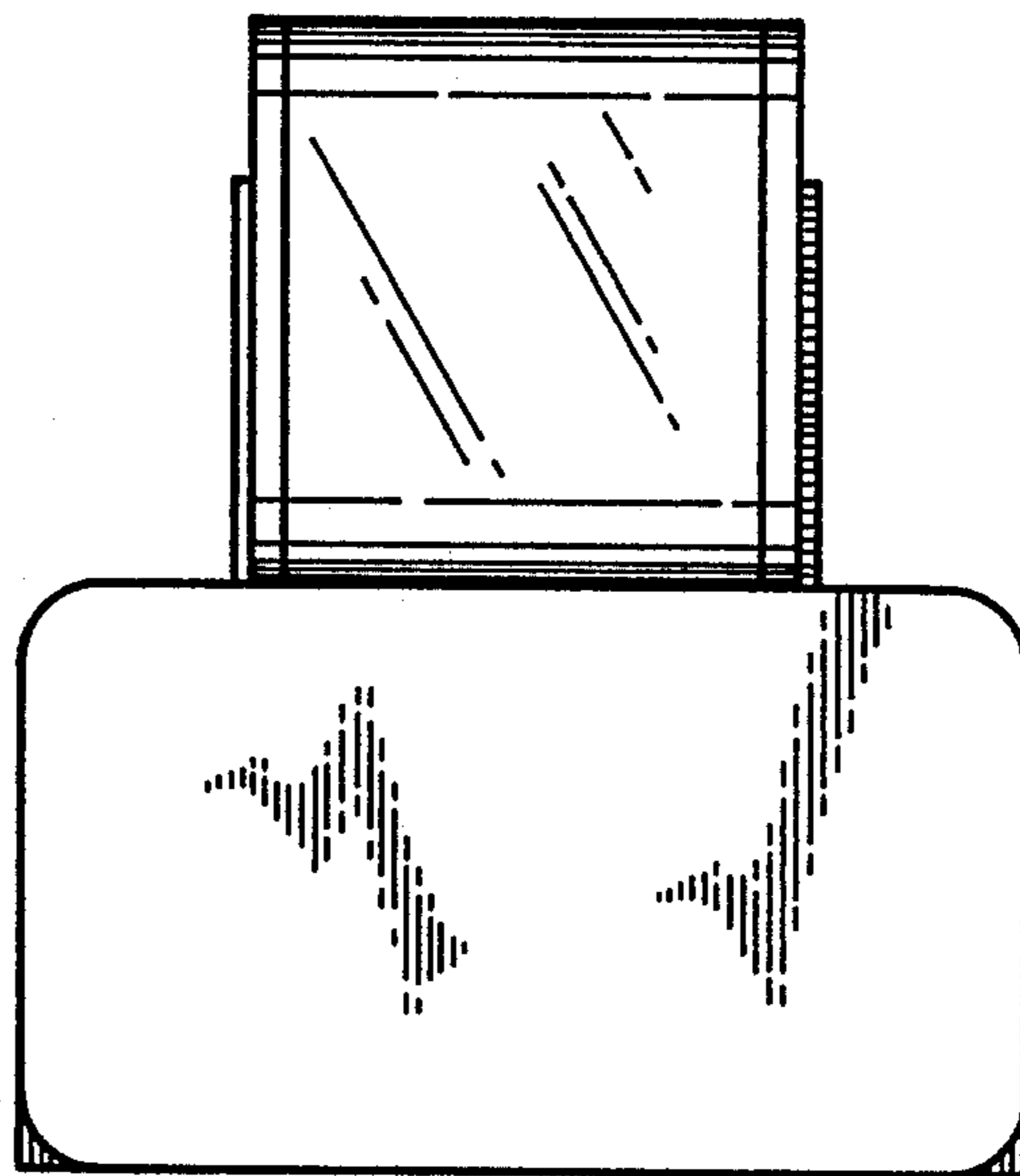


Fig. 3

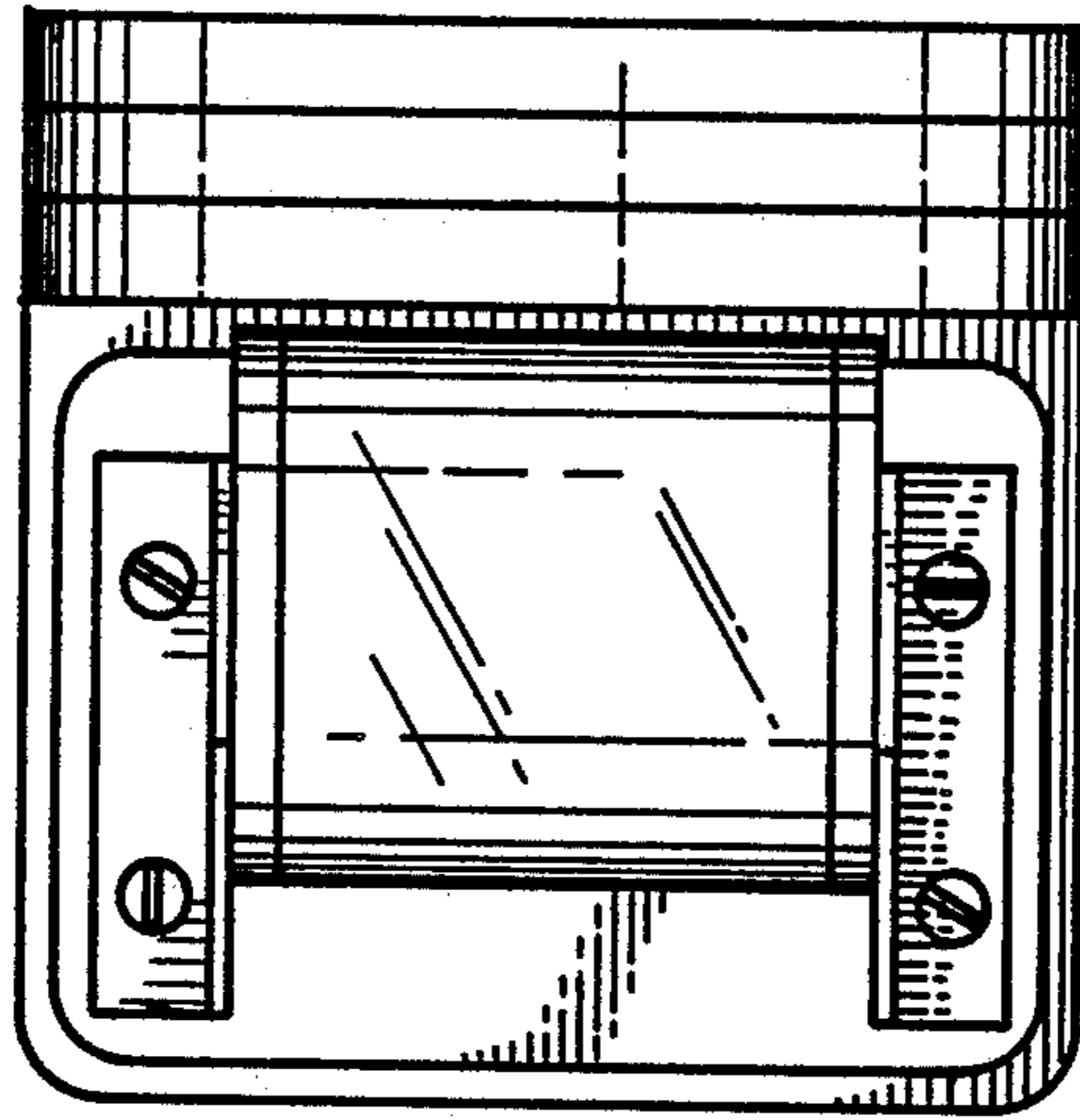


Fig. 4

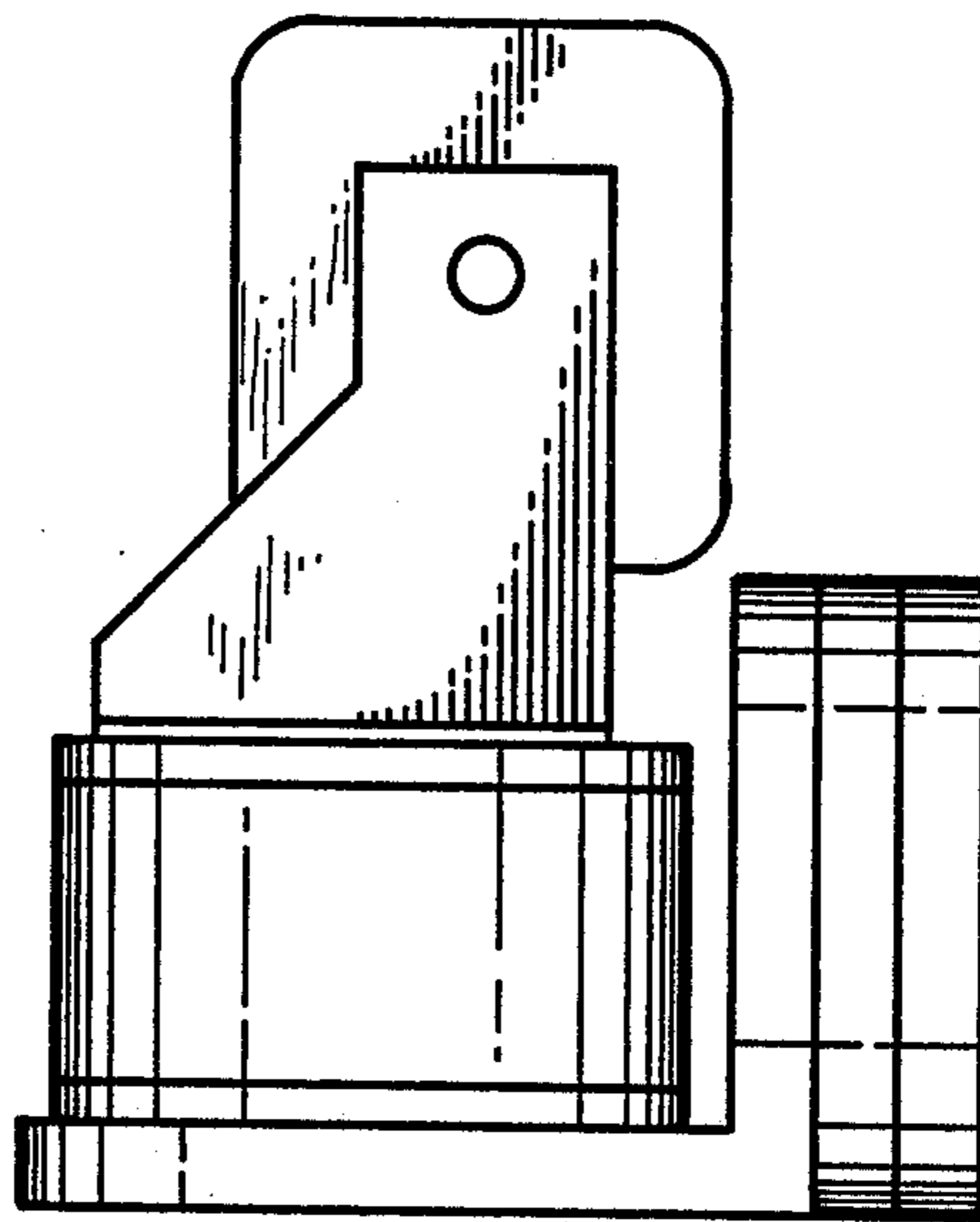


Fig. 5