

United States Patent [19]
Conforti

[11] **Patent Number: Des. 300,868**

[45] **Date of Patent: ** Apr. 25, 1989**

[54] **SURGICAL HEADLAMP**

[76] **Inventor: Leona Conforti, P.O. Box 2875,
Aurora, Ill. 60507**

[**] **Term: 14 Years**

[21] **Appl. No.: 755,599**

[22] **Filed: Jul. 16, 1985**

[52] **U.S. Cl. D26/39**

[58] **Field of Search D26/37-50;
362/157, 158, 183-208, 103, 105, 106, 804;
128/23**

[56] **References Cited**

U.S. PATENT DOCUMENTS

D. 266,192	9/1982	Feinbloom	D26/39
1,274,263	7/1918	Hamilton	362/105
3,828,201	8/1974	Allen, Sr.	362/105
3,947,676	3/1976	Battilana et al.	362/105

FOREIGN PATENT DOCUMENTS

2305684 10/1976 France 362/105

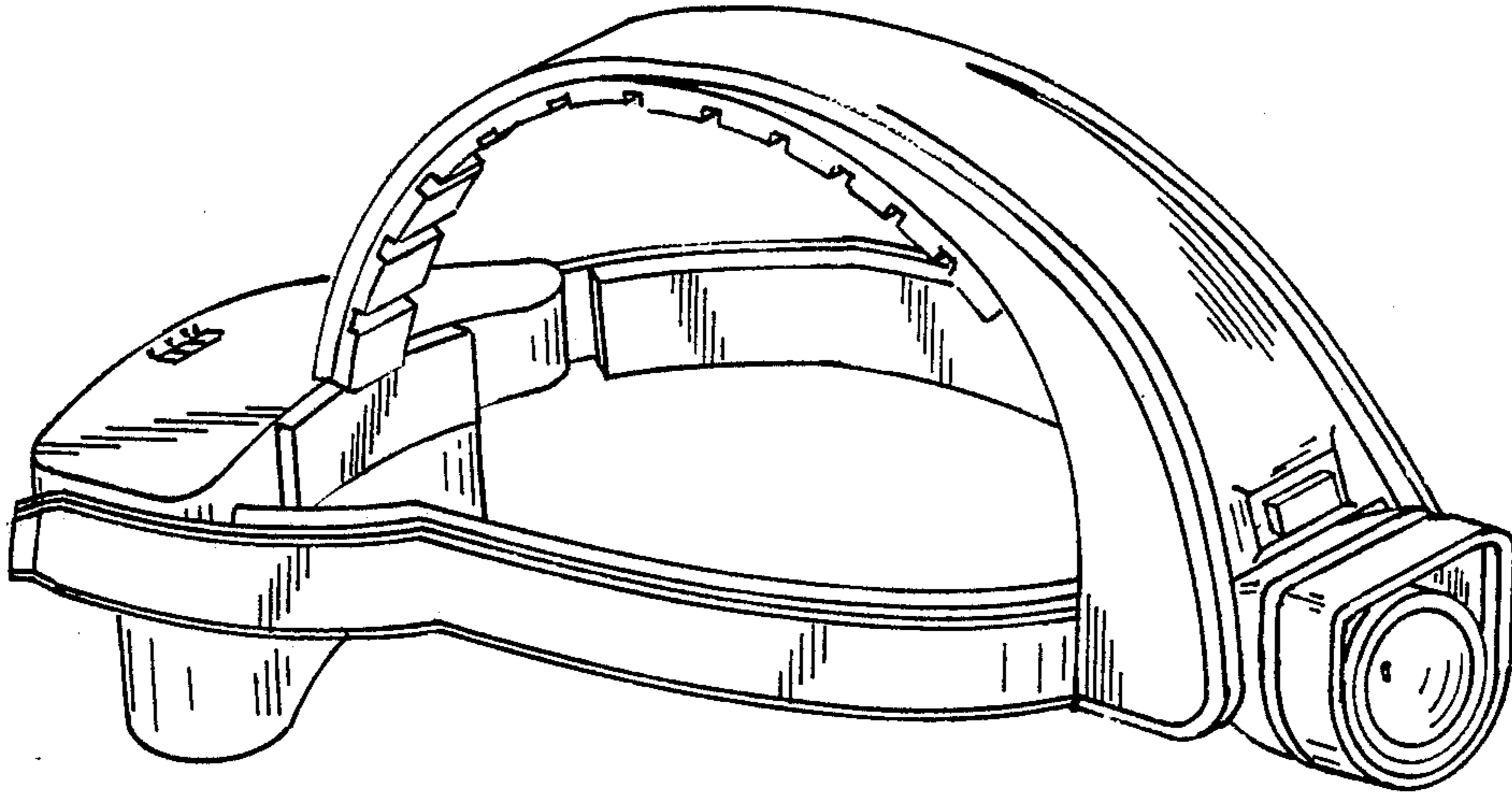
Primary Examiner—Susan J. Lucas
Attorney, Agent, or Firm—William J. Michals

[57] **CLAIM**

The ornamental design for a surgical headlamp, as shown and described.

DESCRIPTION

FIG. 1 is a front elevational view of a surgical headlamp embodying my new design;
FIG. 2 is a top plan view thereof;
FIG. 3 is a side elevational view, the opposite side being a mirror image thereof;
FIG. 4 is a rear elevational view thereof; and
FIG. 5 is a bottom plan view thereof.
FIG. 6 is a right side perspective view of the surgical headlamp showing my new design.



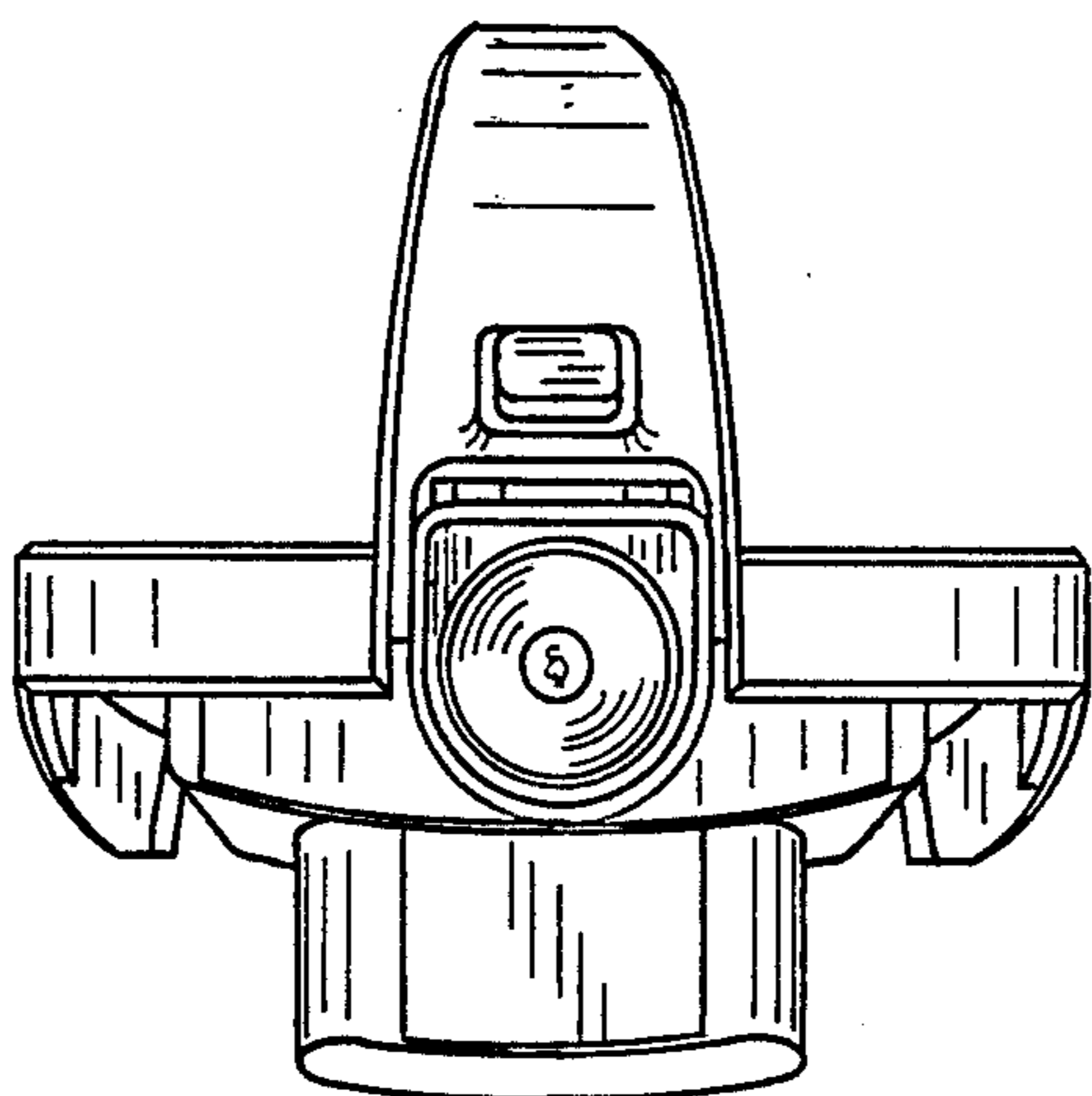


FIG. 1

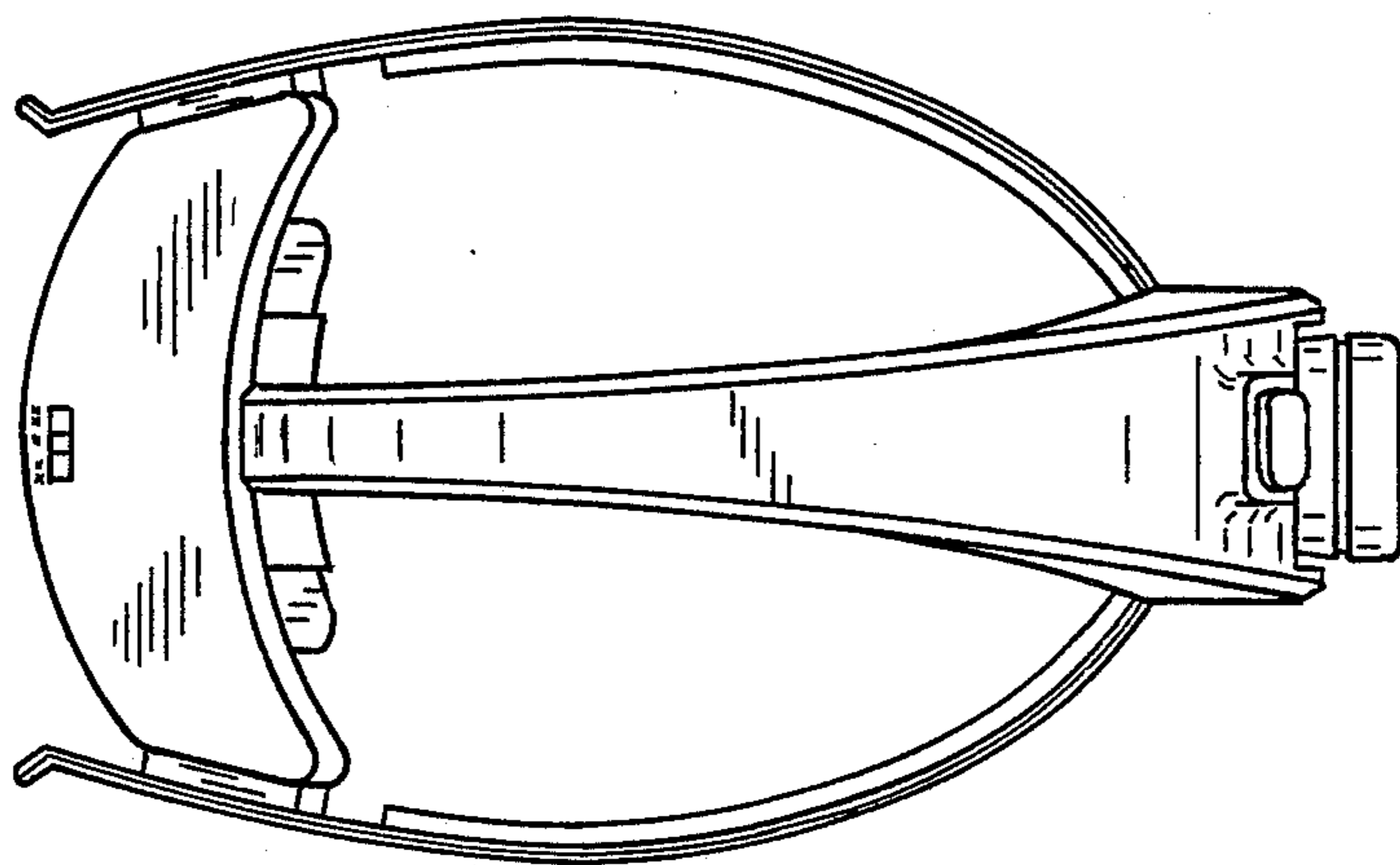


FIG. 2

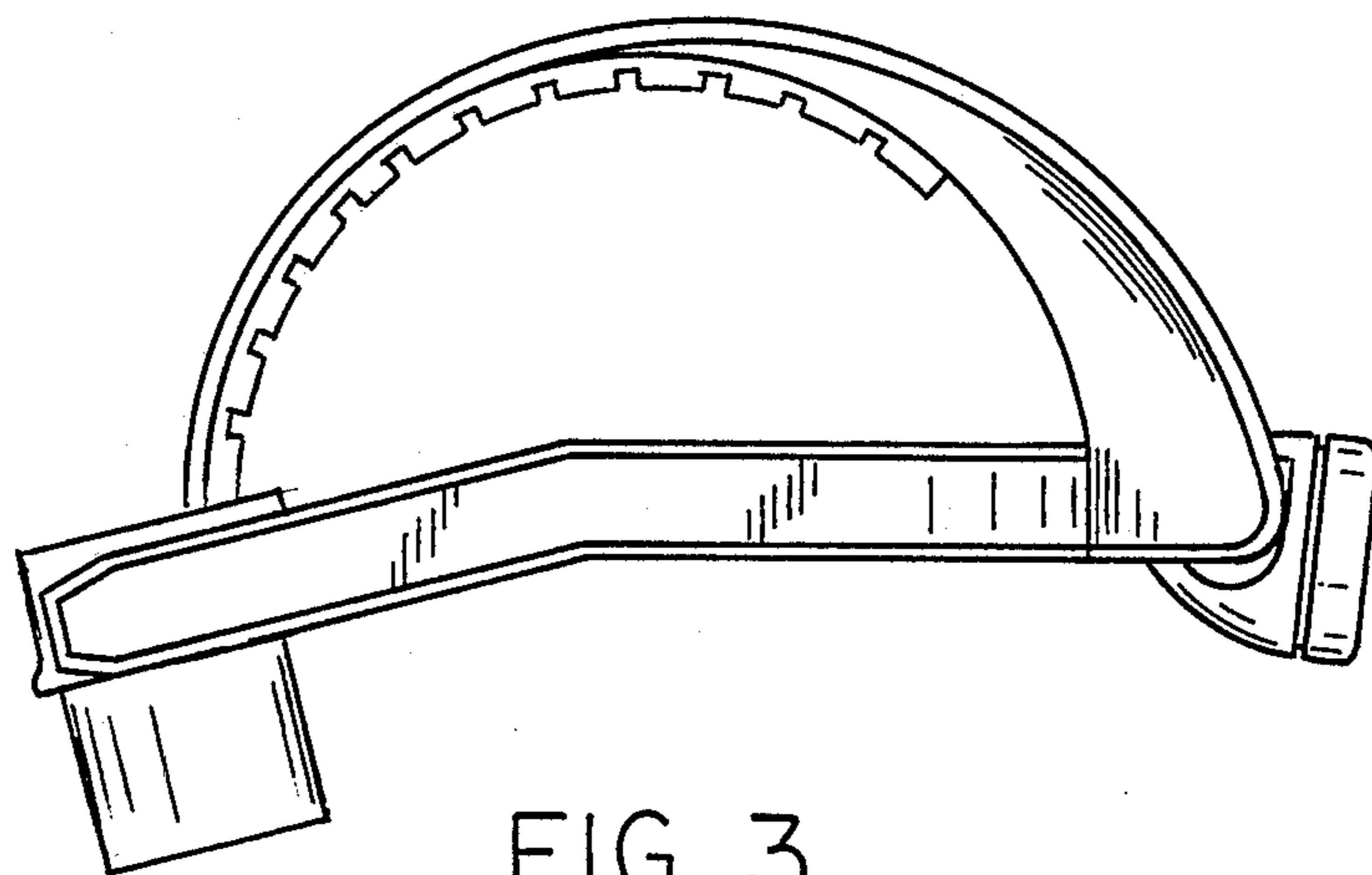


FIG. 3

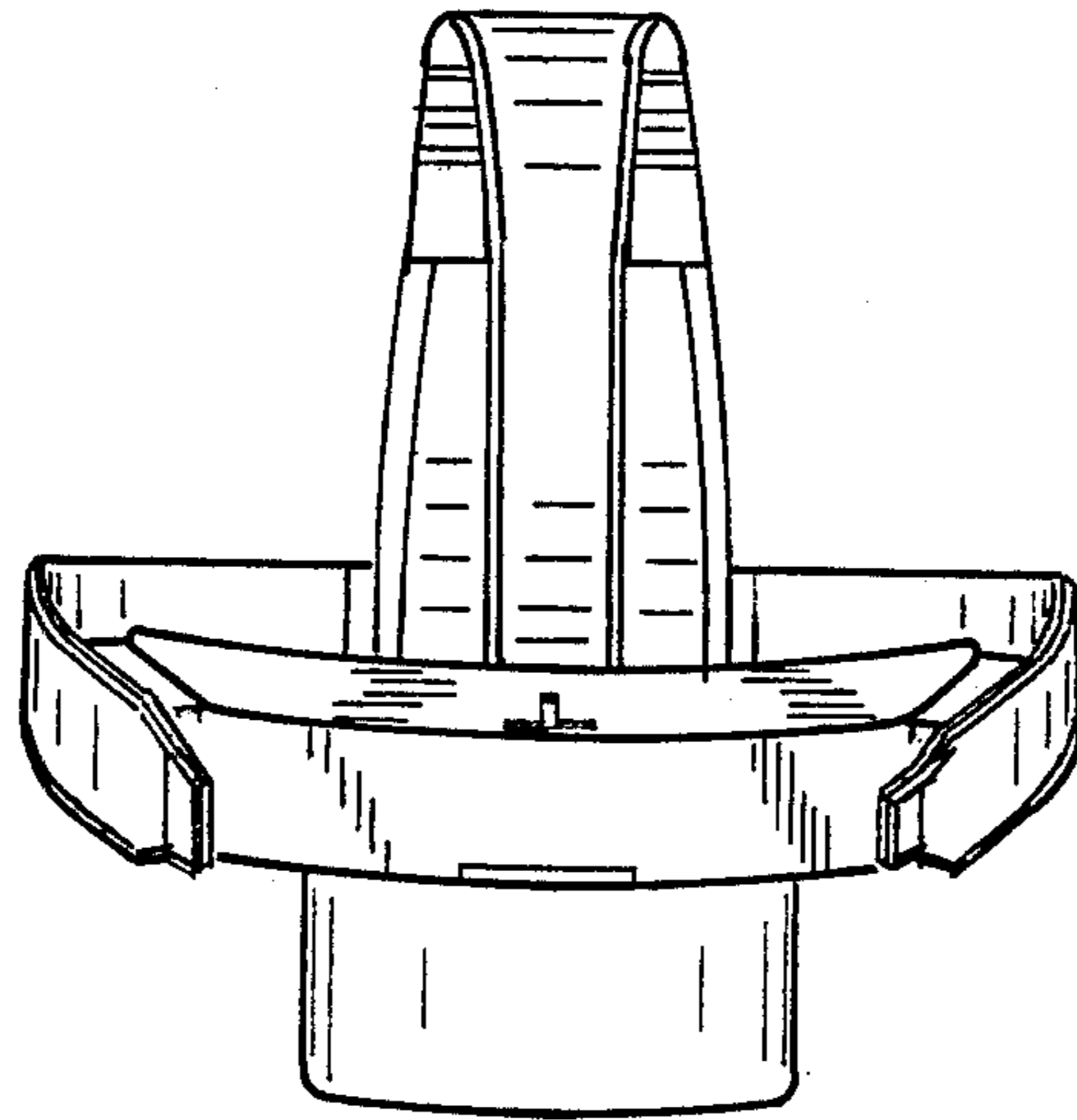


FIG. 4

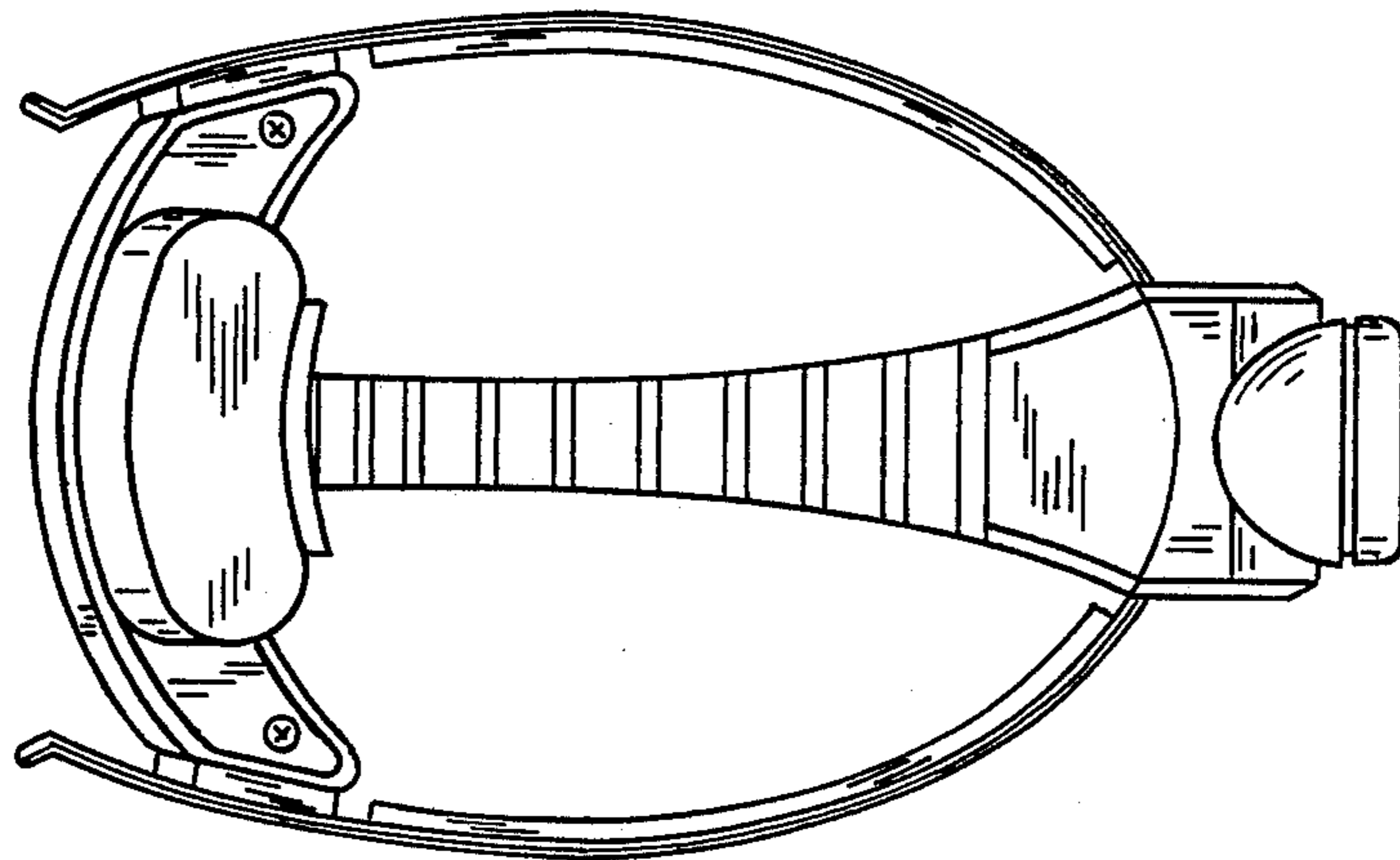


FIG. 5

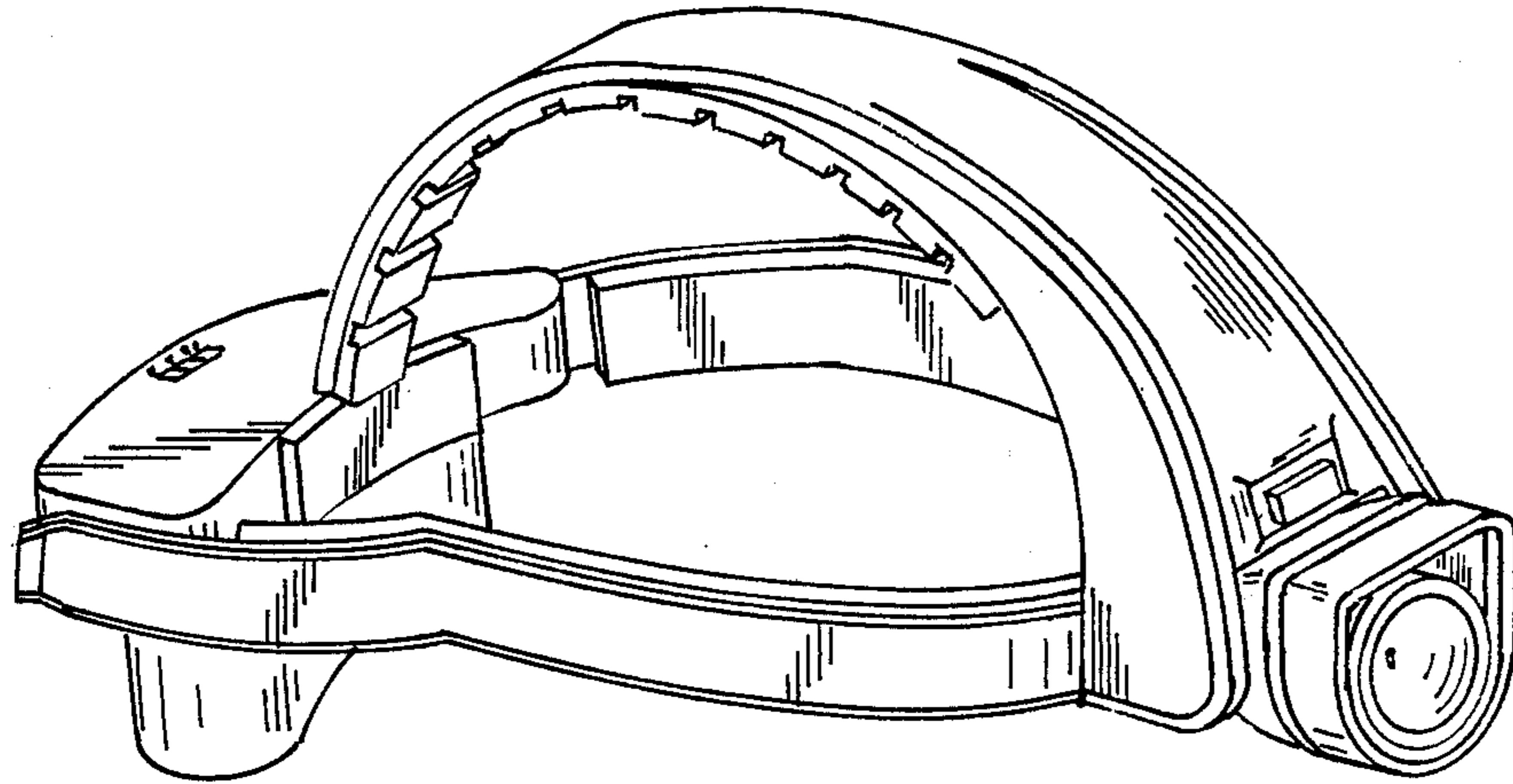


FIG. 6