

[54] **CRIB BLOCK FOR RETAINING WALLS**
 [75] **Inventor: Prentice J. McNeely, Crozet, Va.**
 [73] **Assignee: The Clear Flow Co., Inc.,
 Waynesboro, Va.**
 [**] **Term: 14 Years**
 [21] **Appl. No.: 868,339**
 [22] **Filed: May 29, 1986**
 [52] **U.S. Cl. D25/113**
 [58] **Field of Search 405/272, 273, 287, 286,
 405/29; D25/113, 115**

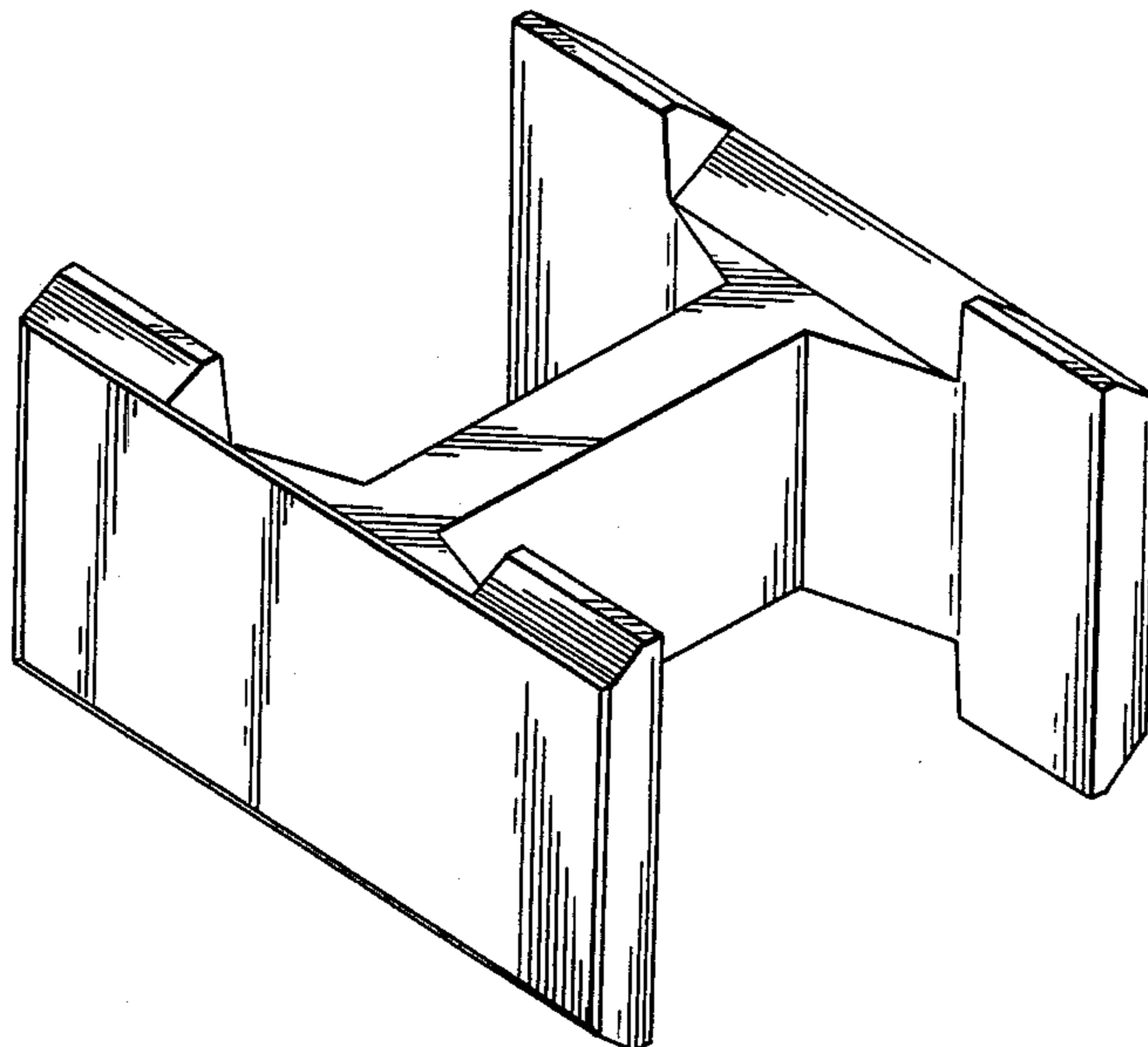
4,126,001	11/1978	Shimada et al.	405/287
4,154,554	5/1979	Hilfiker	405/273
4,193,718	3/1980	Wahrendorf et al.	405/286
4,229,123	10/1980	Heinzmann	405/273
4,266,890	5/1981	Hilfiker	405/286
4,269,537	5/1981	O'Neill	405/29
4,278,364	7/1981	Frehner	405/273
4,293,245	10/1981	Jaecklin	405/272
4,312,606	1/1982	Sarikelle	405/286
4,380,409	4/1983	O'Neill	405/273
4,413,924	11/1983	Ijima	D25/113 X

Primary Examiner—A. Hugo Word
Attorney, Agent, or Firm—Howson & Howson

[56] **References Cited**
U.S. PATENT DOCUMENTS
 D. 264,383 5/1982 Campbell D25/113
 3,379,017 4/1968 Kusatake .
 3,631,682 1/1972 Hilfiker .
 3,877,236 4/1975 O'Neill et al. D25/113 X
 3,922,864 12/1975 Hilfiker .
 3,953,979 5/1976 Kurose .
 4,050,254 9/1977 Meheen et al. .
 4,051,570 10/1977 Hilfiker .
 4,074,538 2/1978 Janus .
 4,081,969 4/1978 Clarke .

[57] **CLAIM**
 The ornamental design for a crib block for retaining walls, as shown and described.

DESCRIPTION
 FIG. 1 is a perspective view of a crib block for retaining walls embodying my new design;
 FIG. 2 is a front elevation thereof;
 FIG. 3 is a right side elevation thereof; and
 FIG. 4 is a top plan view thereof.
 The rear elevation, left side elevation and bottom plan view are identical to the front elevation, right side elevation and top plan respectively.



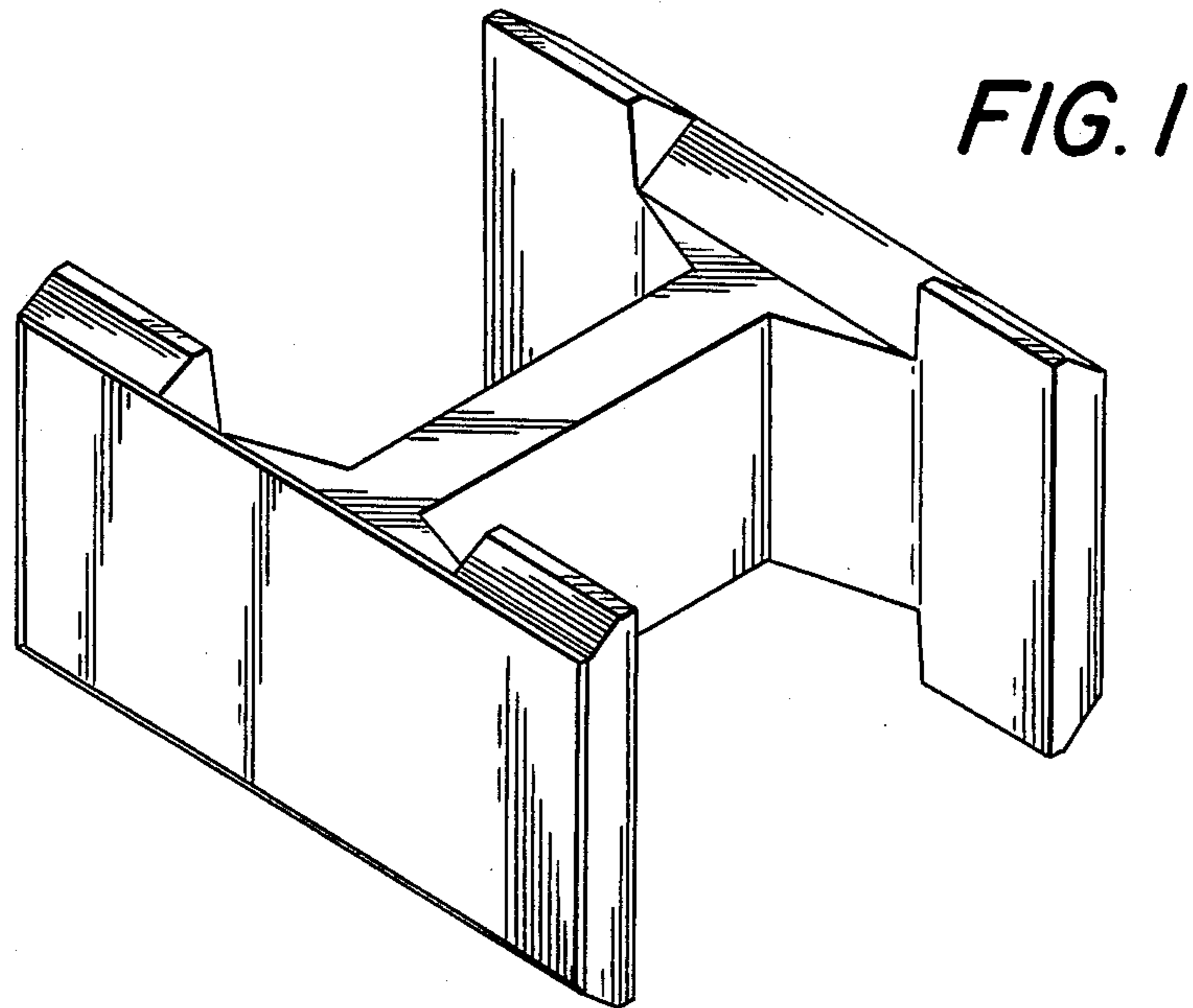


FIG. 2

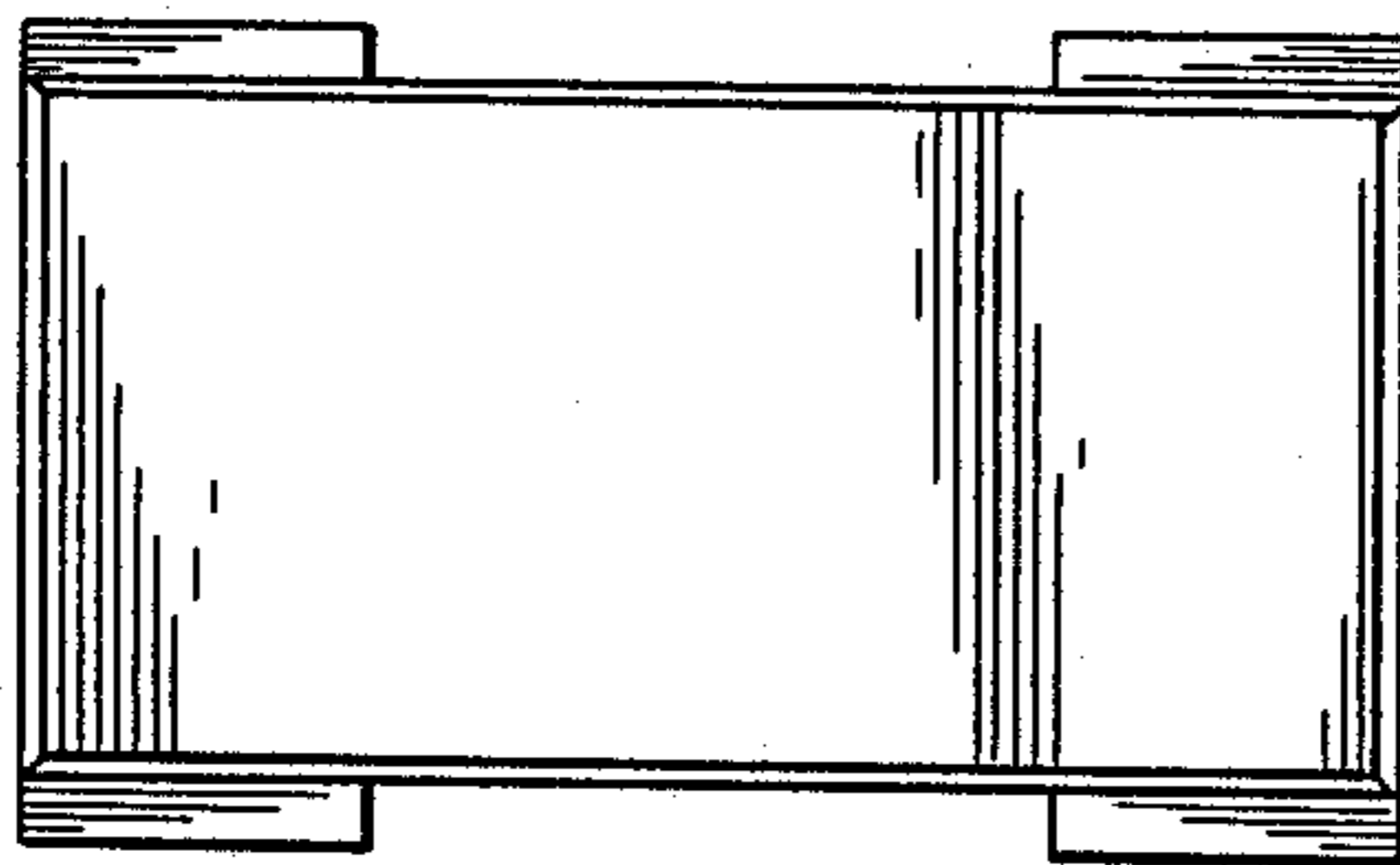


FIG. 4

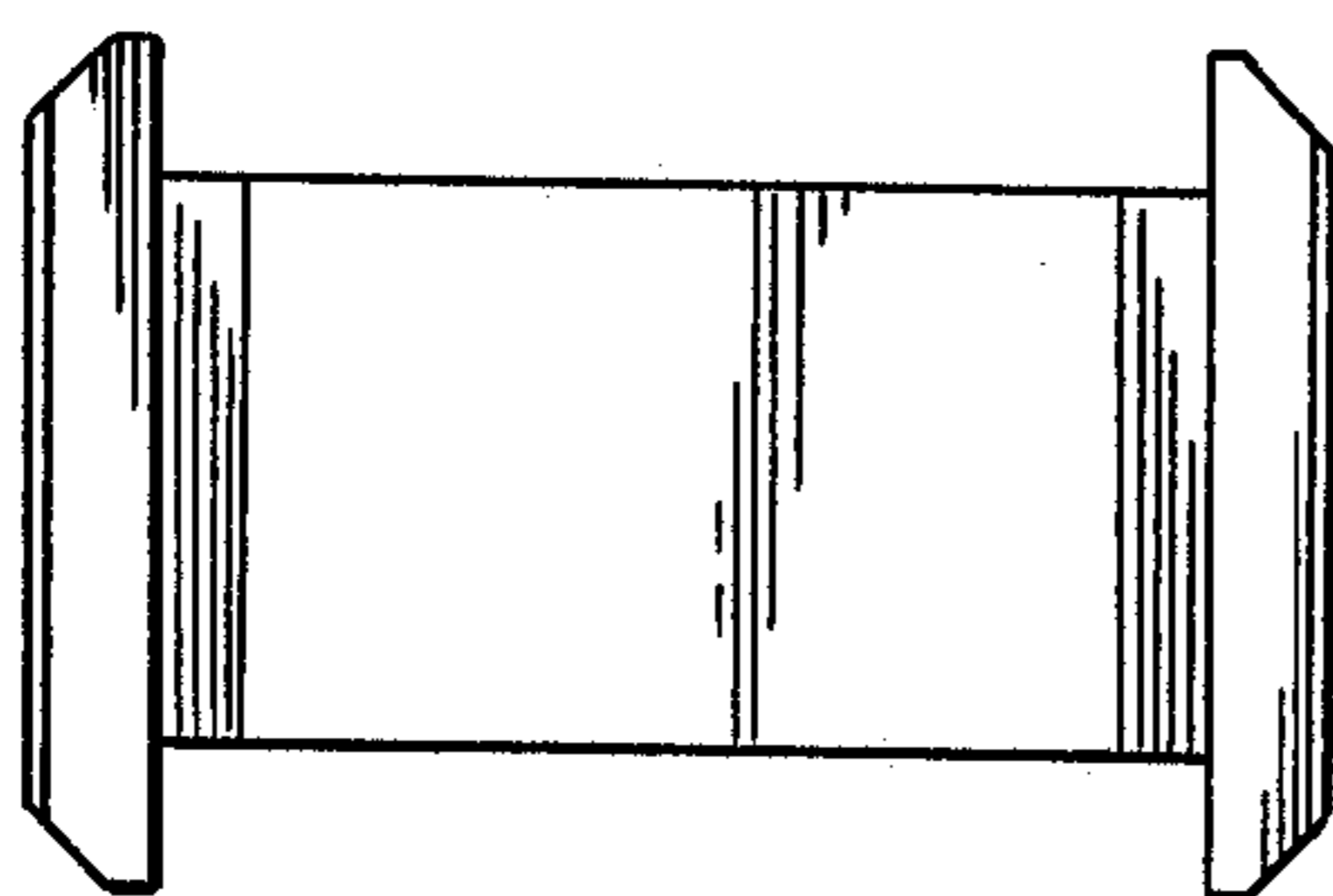
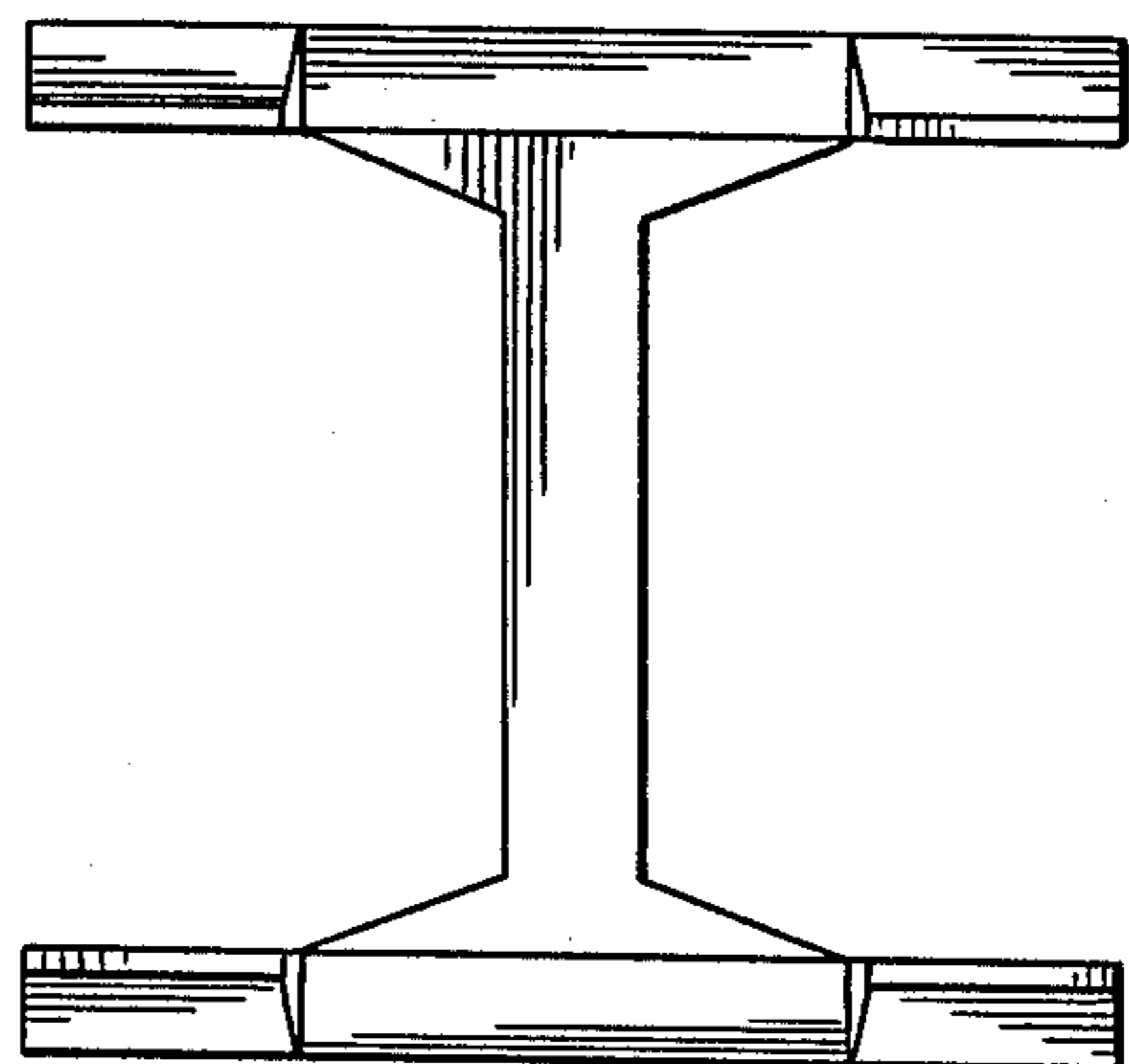


FIG. 3