

# United States Patent [19]

Keller, Jr.

[11] Patent Number: Des. 300,862

[45] Date of Patent: \*\* Apr. 25, 1989

[54] BUILDING BLOCK

[76] Inventor: Fred Keller, Jr., 1410 Winston Cir.,  
Bethlehem, Pa. 18017

[\*\*] Term: 14 Years

[21] Appl. No.: 857,603

[22] Filed: Apr. 24, 1986

[52] U.S. Cl. .... D24/113; D25/118

[58] Field of Search ..... D25/113, 112, 114, 118

[56] References Cited

## U.S. PATENT DOCUMENTS

|           |        |                  |           |
|-----------|--------|------------------|-----------|
| 2,882,689 | 4/1959 | Huch et al. .... | D25/113 X |
| 3,435,576 | 4/1969 | Giannelia ....   | D25/113 X |
| 4,197,669 | 4/1980 | Hynes ....       | D25/113 X |
| 4,429,506 | 2/1984 | Henderson ....   | D25/113 X |

Primary Examiner—A. Hugo Word  
Attorney, Agent, or Firm—Steele, Gould & Fried

[57] CLAIM

The ornamental design for a building block, as shown and described.

## DESCRIPTION

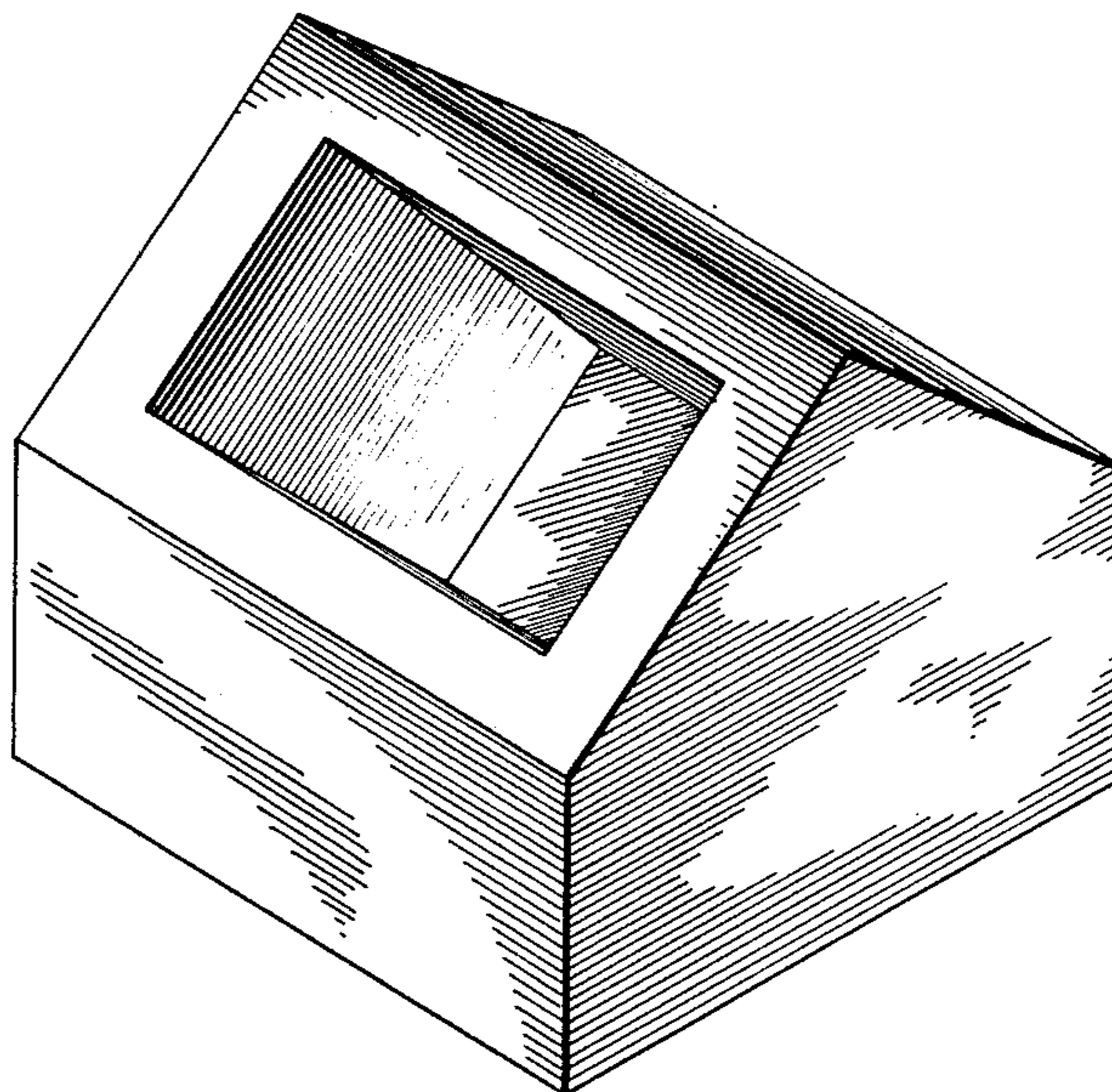
FIG. 1 is an perspective top view showing the top, front and right side of the building block of this invention.

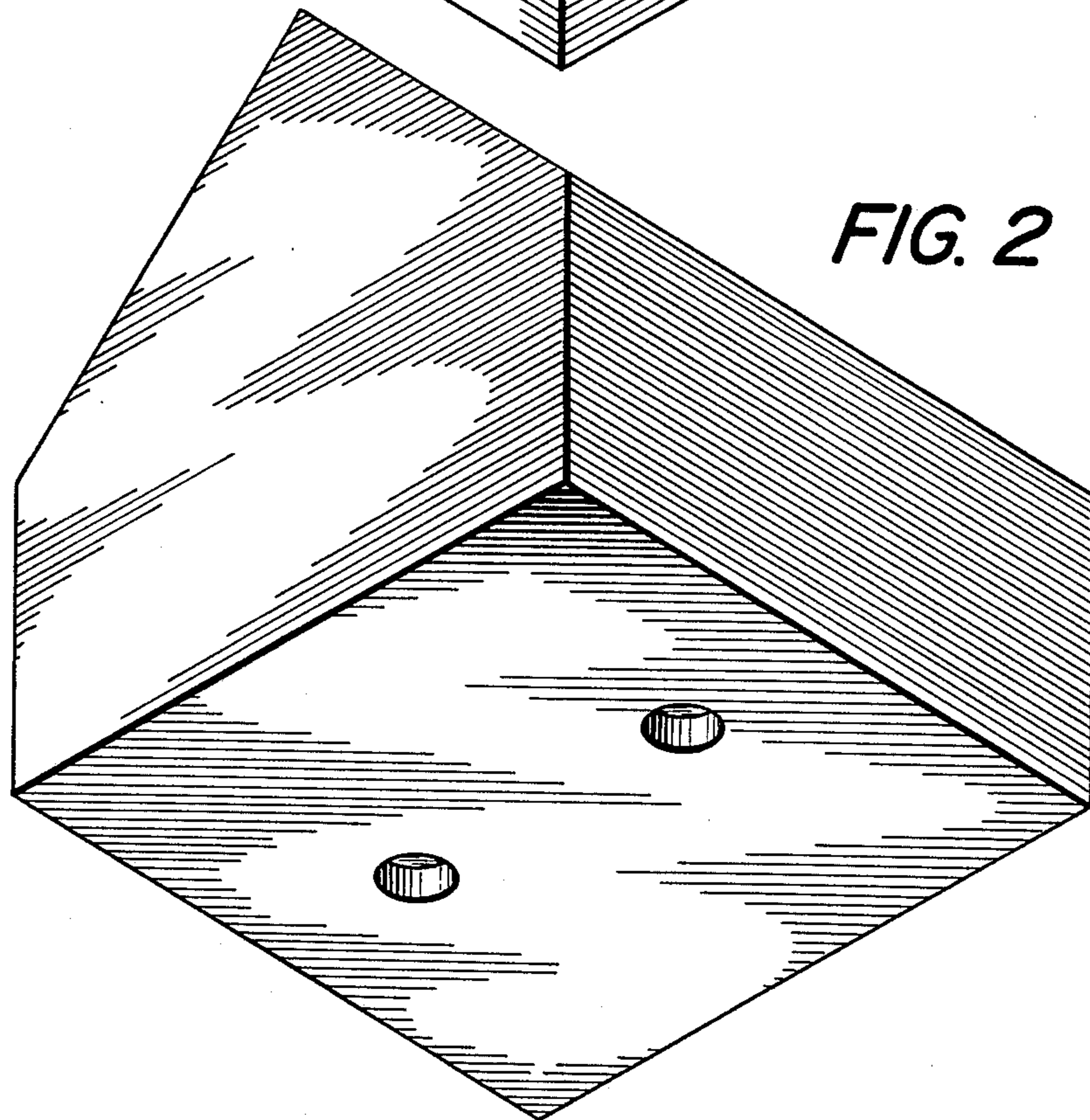
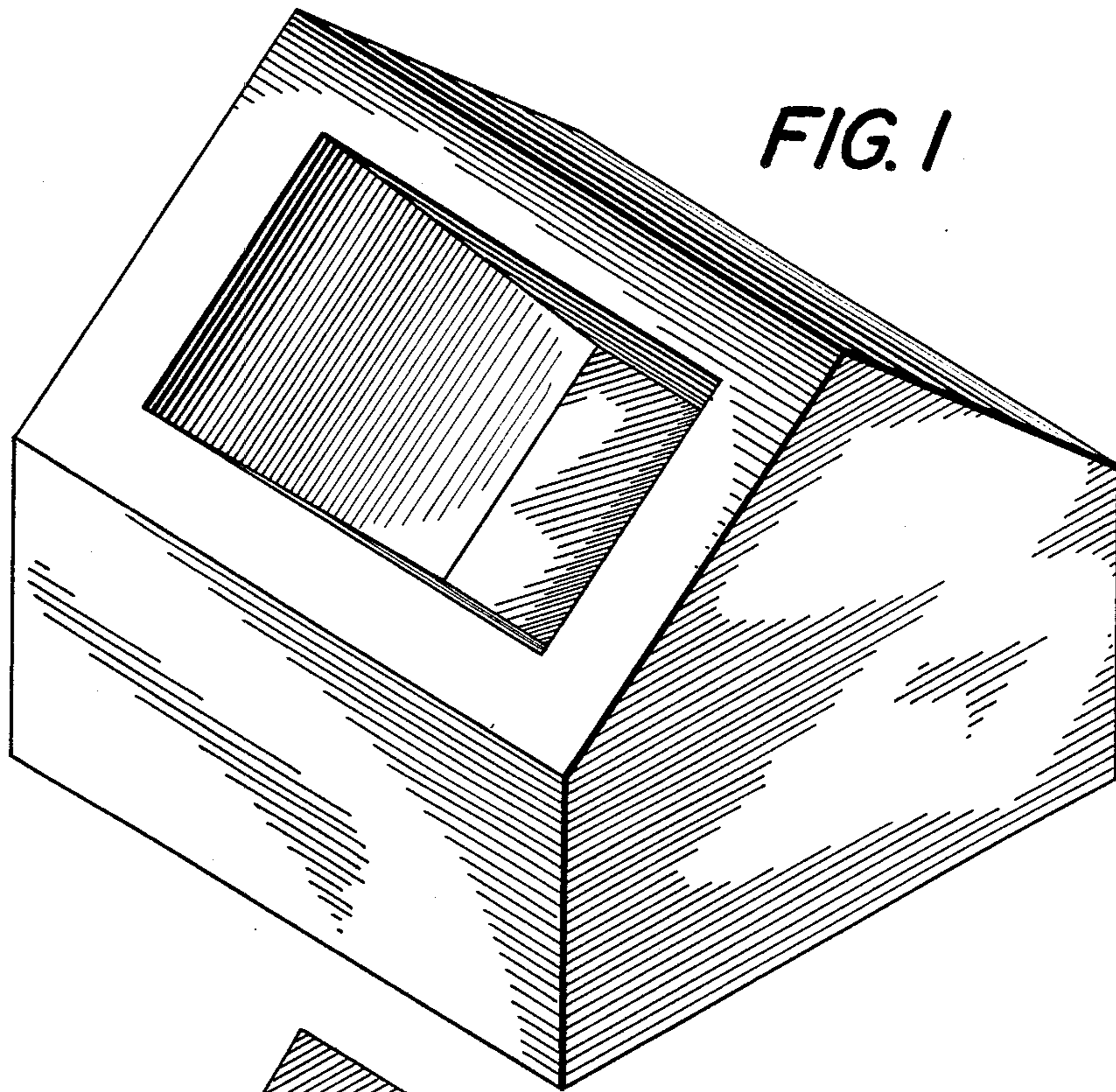
FIG. 2 is an perspective bottom view showing the bottom, back and left side of the building block of this invention.

FIG. 3 is a side elevational view thereof;

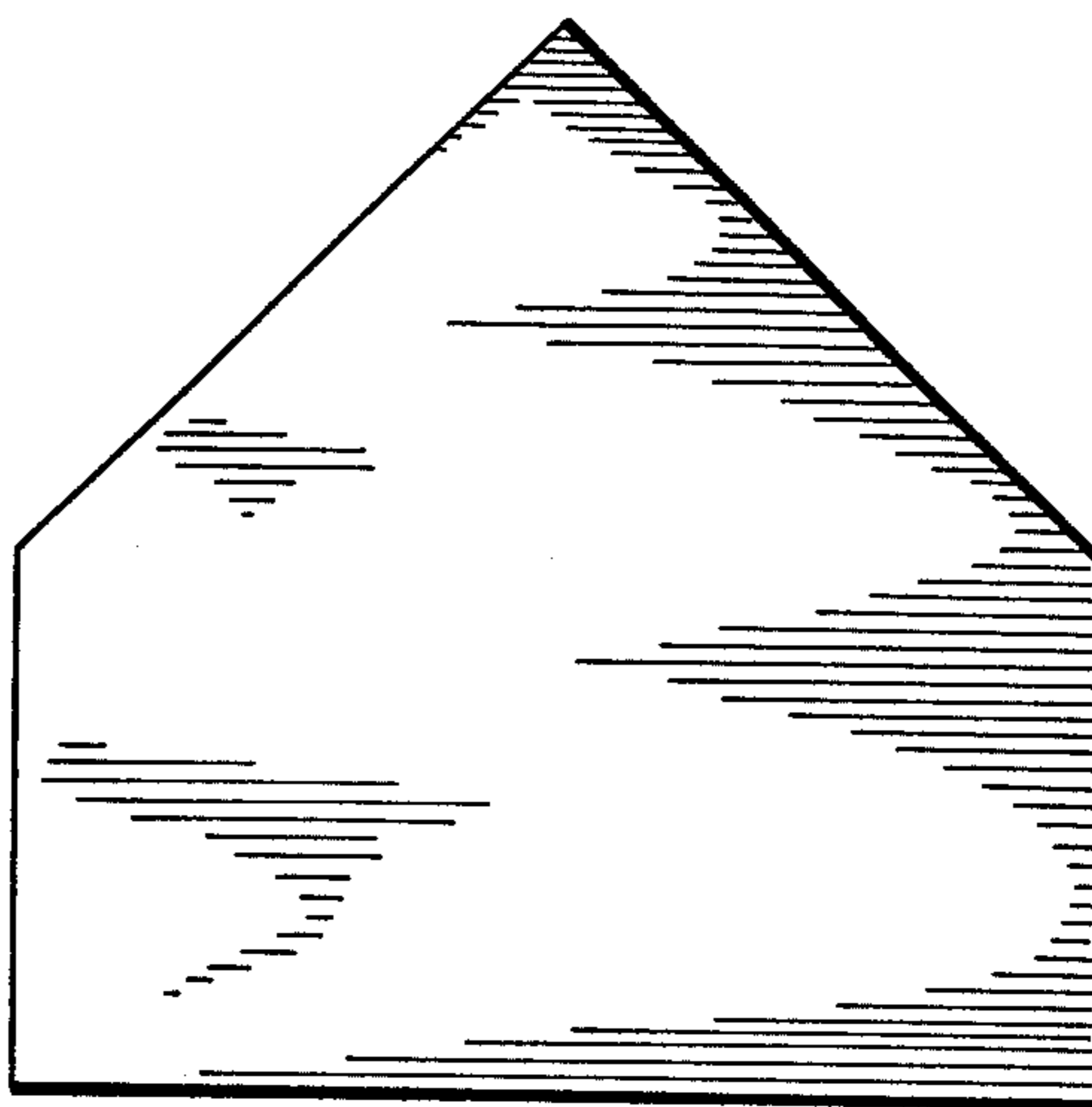
FIG. 4 is a top plan view thereof; and

FIG. 5 is a top plan view of the right side of the block shown in FIG. 4.

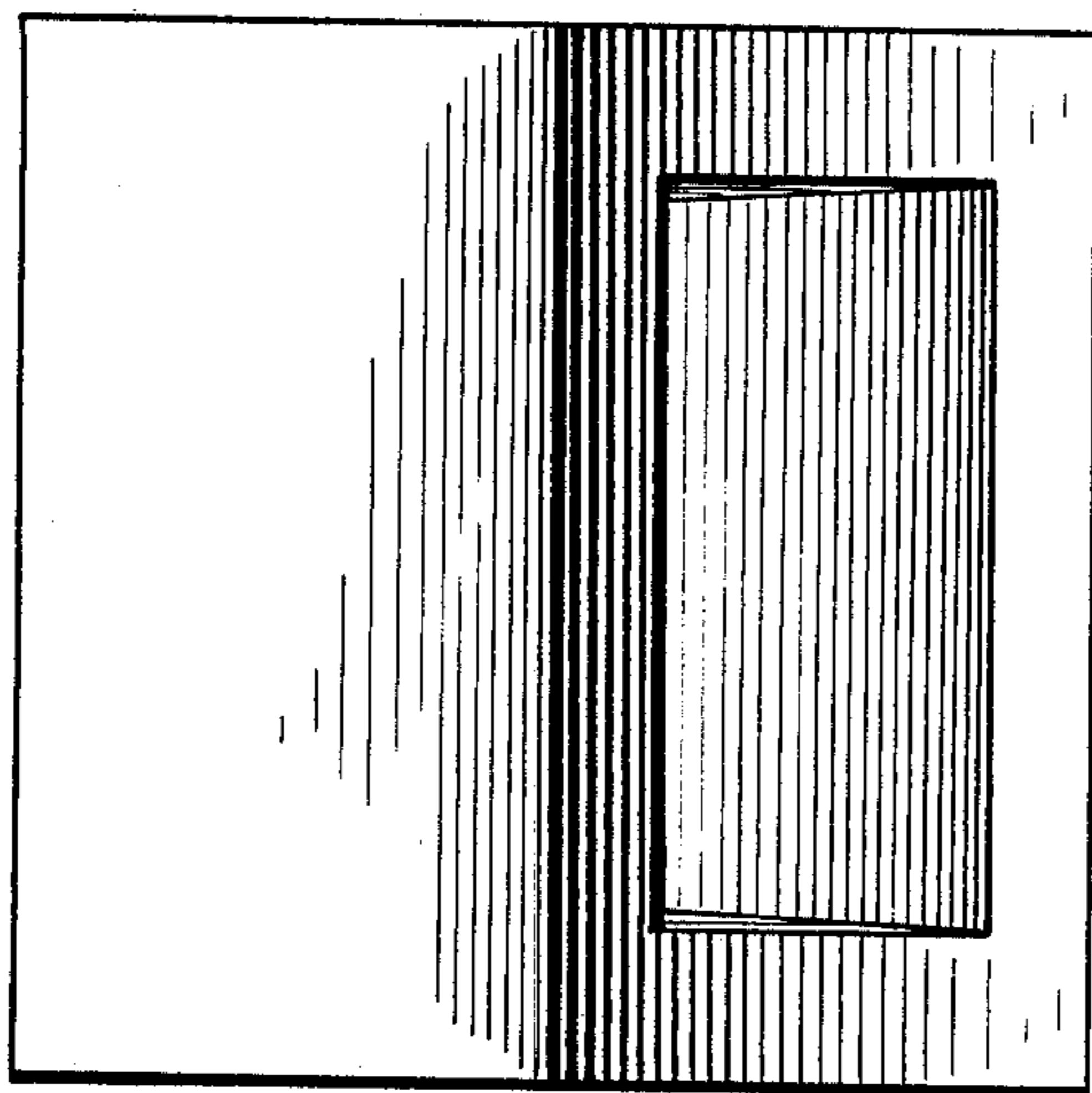




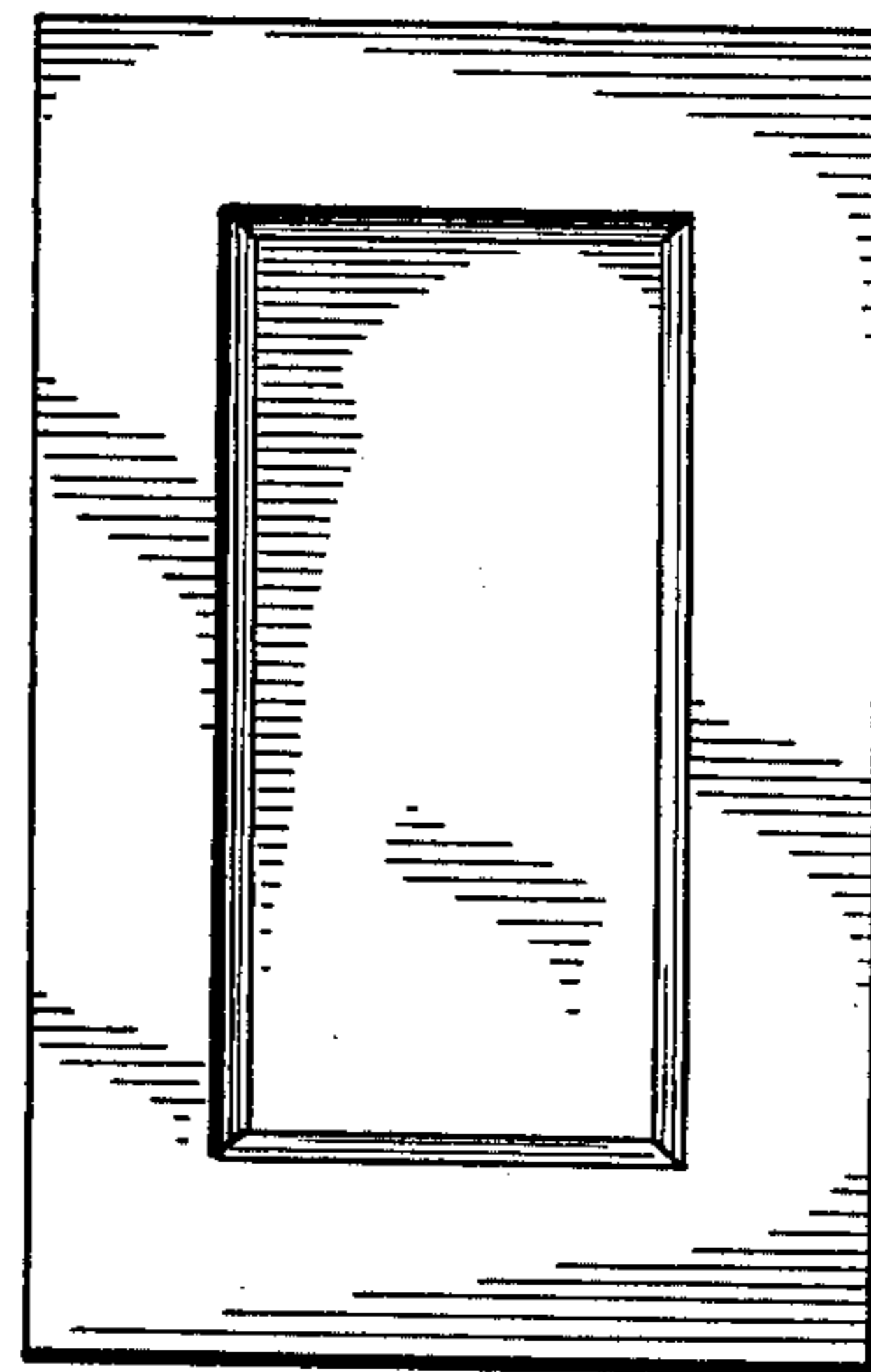




*FIG. 3*



*FIG. 4*



*FIG. 5*