

United States Patent [19]

Correll et al.

[11] Patent Number: Des. 300,861

[45] Date of Patent: ** Apr. 25, 1989

[54] SAWHORSE

[76] Inventors: Gary A. Correll, 15351 NE. 202nd, Woodinville, Wash. 98072; John T. Carter, 2914 Oakmont Ave., Orange, Calif. 92667

[**] Term: 14 Years

[21] Appl. No.: 865,621

[22] Filed: May 21, 1986

[52] U.S. Cl. D25/67

[58] Field of Search D25/67; 182/181, 182, 182/184, 185, 186, 153, 155

[56] References Cited

U.S. PATENT DOCUMENTS

D. 257,395 10/1980 Correll .

D. 279,606 7/1985 Merians D25/67
2,832,647 4/1958 Gerke D25/67 X
2,925,140 2/1960 Thielepape .
3,406,786 10/1968 Lang D25/67 X
3,502,174 3/1970 Cannon D25/67 X
3,817,349 6/1974 Barthel .

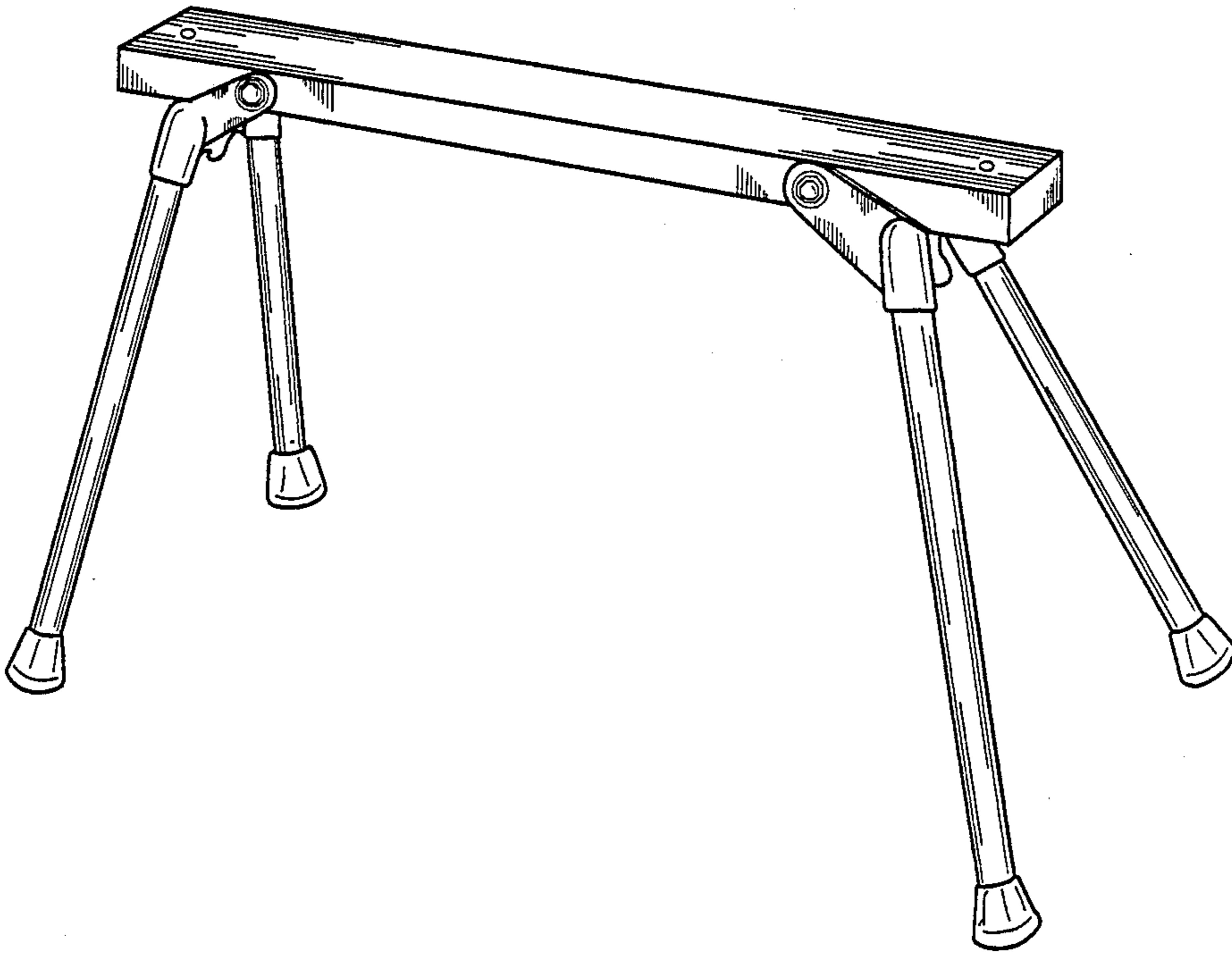
Primary Examiner—A. Hugo Word
Attorney, Agent, or Firm—Seed and Berry

[57] CLAIM

The ornamental design for a sawhorse, as shown.

DESCRIPTION

FIG. 1 is a top perspective view of a sawhorse showing our new design;
FIG. 2 is a bottom perspective view thereof;
FIG. 3 is a front elevational view thereof; and
FIG. 4 is an end elevational view thereof.



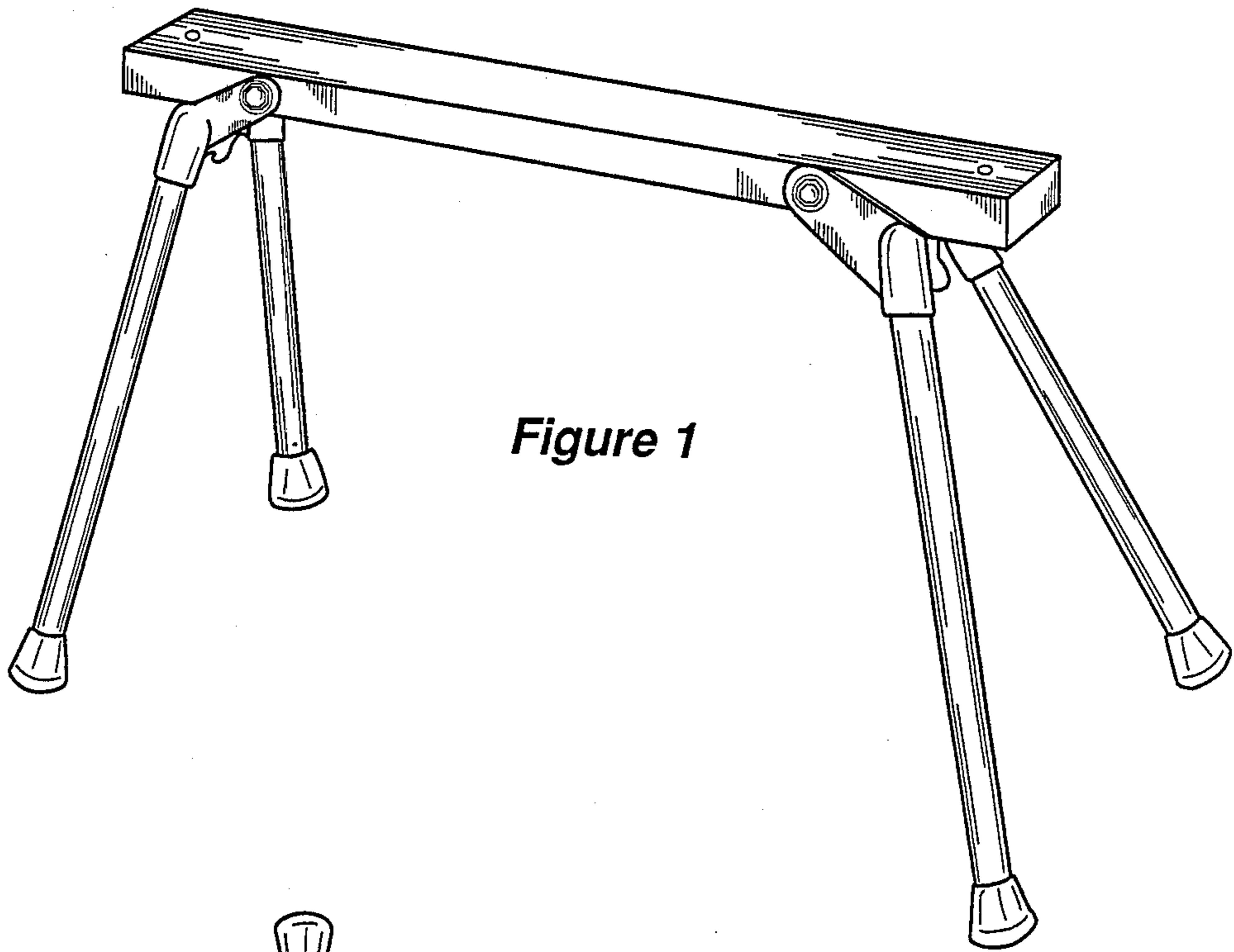


Figure 1

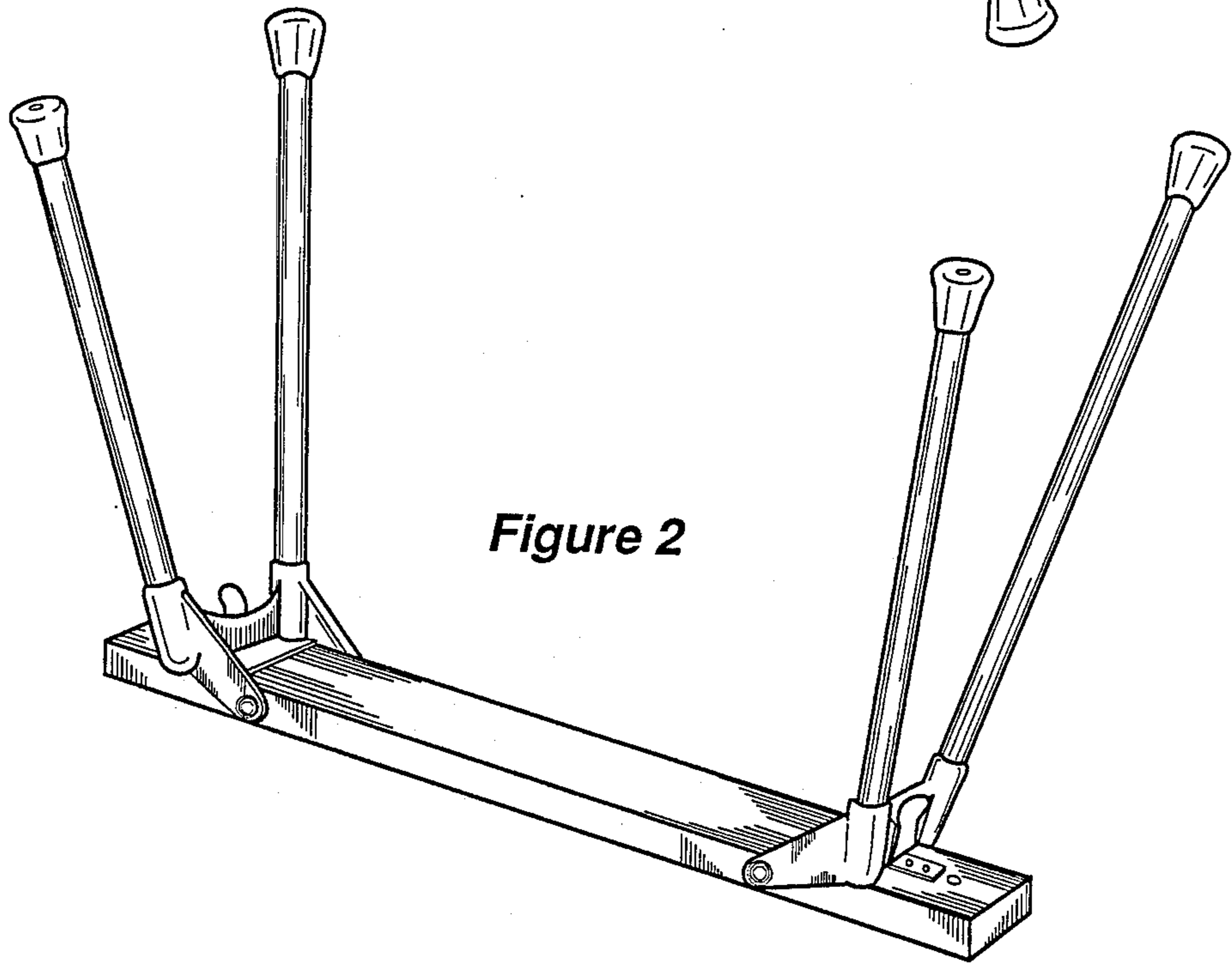


Figure 2

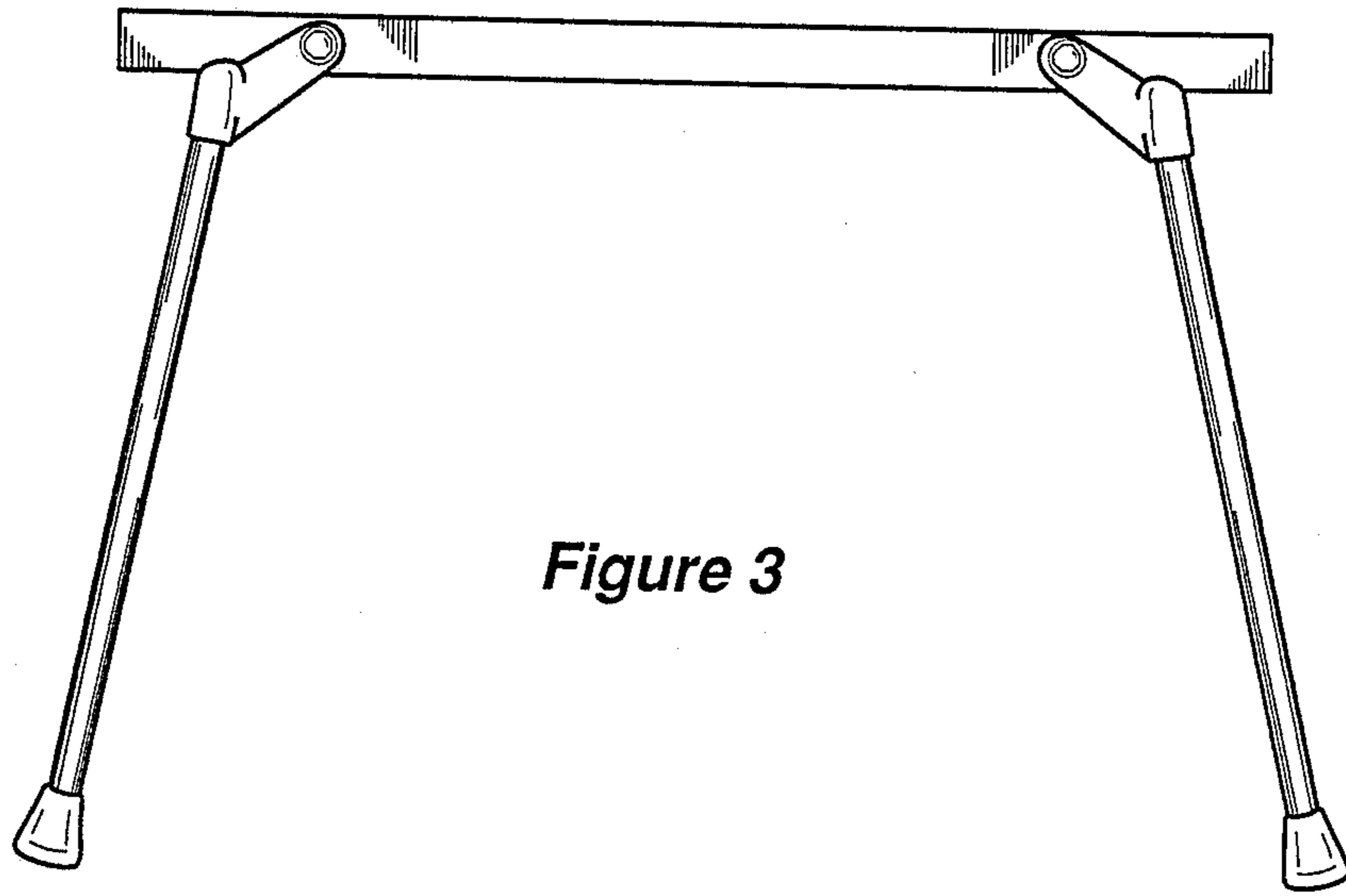


Figure 3

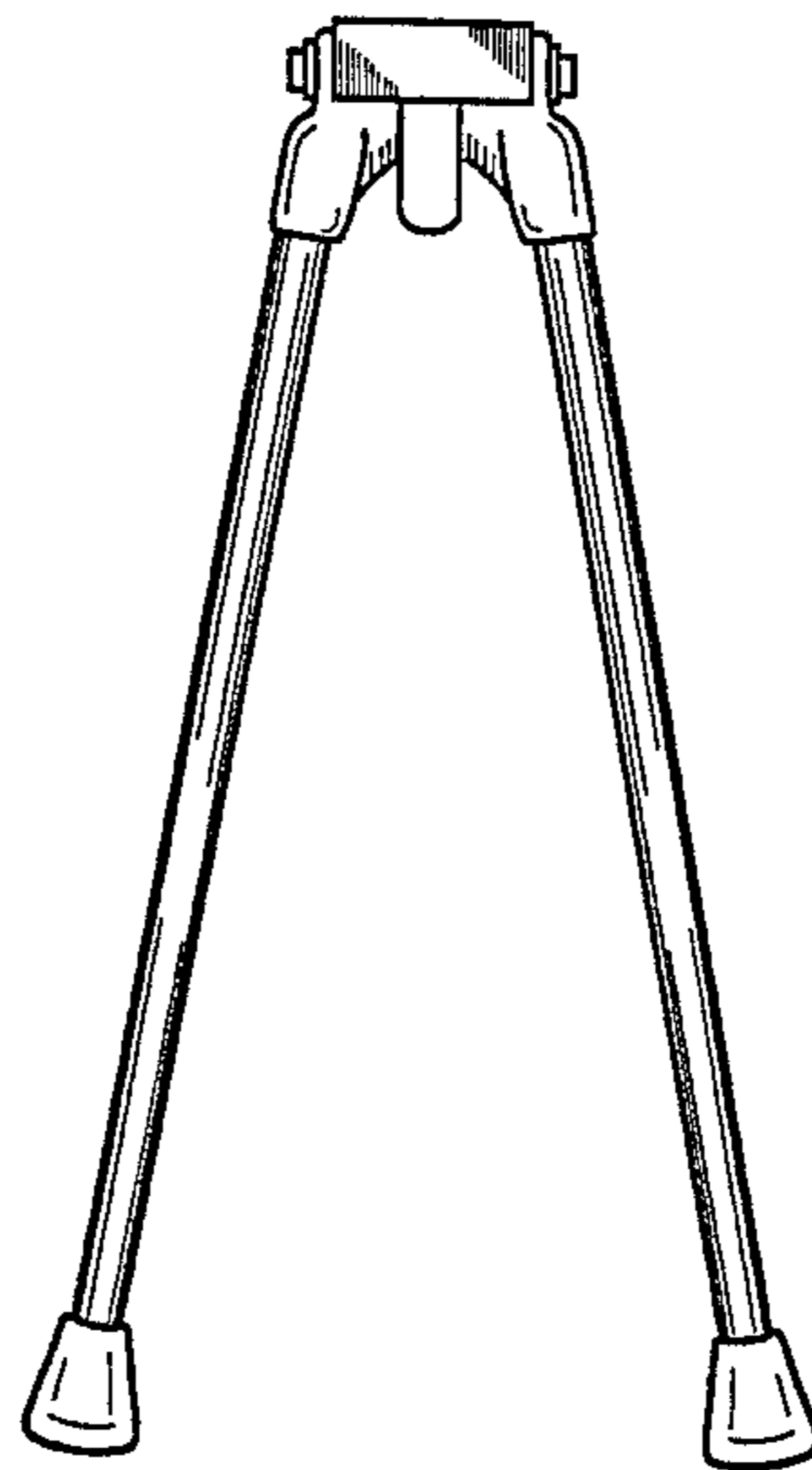


Figure 4