

United States Patent [19]

Klien

[11] Patent Number: Des. 300,859

[45] Date of Patent: ** Apr. 25, 1989

[54] CLEAN ROOM MODULE OR SIMILAR ARTICLE

[75] Inventor: Johannes P. Klien, Vaduz, Liechtenstein

[73] Assignee: Lasarray Holding AG, Thun Dorf, Switzerland

[**] Term: 14 Years

[21] Appl. No.: 856,140

[22] Filed: Apr. 21, 1986

[52] U.S. Cl. D25/33; D25/1

[58] Field of Search D25/1, 22, 23, 24, 33, D25/35

[56] References Cited

U.S. PATENT DOCUMENTS

D. 272,469 1/1984 Burleson D25/1

4,304,224 12/1981 Fortney D25/1 X

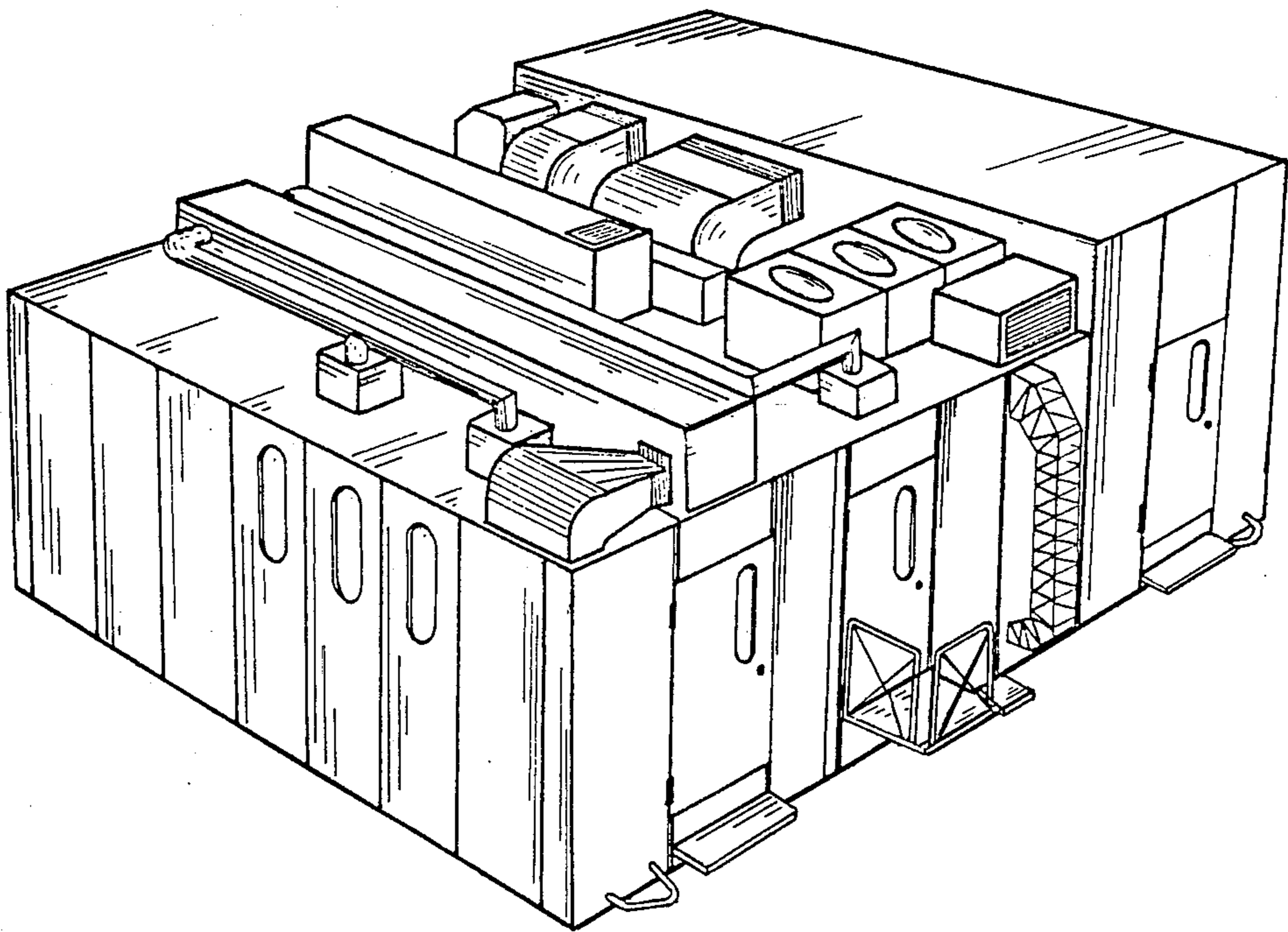
Primary Examiner—A. Hugo Word
Attorney, Agent, or Firm—Werner W. Kleeman

[57] CLAIM

The ornamental design for a clean room module or similar article, as shown and described.

DESCRIPTION

FIG. 1 is a perspective view of my clean room module or similar article incorporating my invention;
FIG. 2 is a front view thereof;
FIG. 3 is a side view thereof viewed from the right side of FIG. 2;
FIG. 4 is a side view thereof viewed from the left side of FIG. 2;
FIG. 5 is a rear view of FIG. 1;
FIG. 6 is a top plan view thereof; and
FIG. 7 is a bottom plan view thereof.



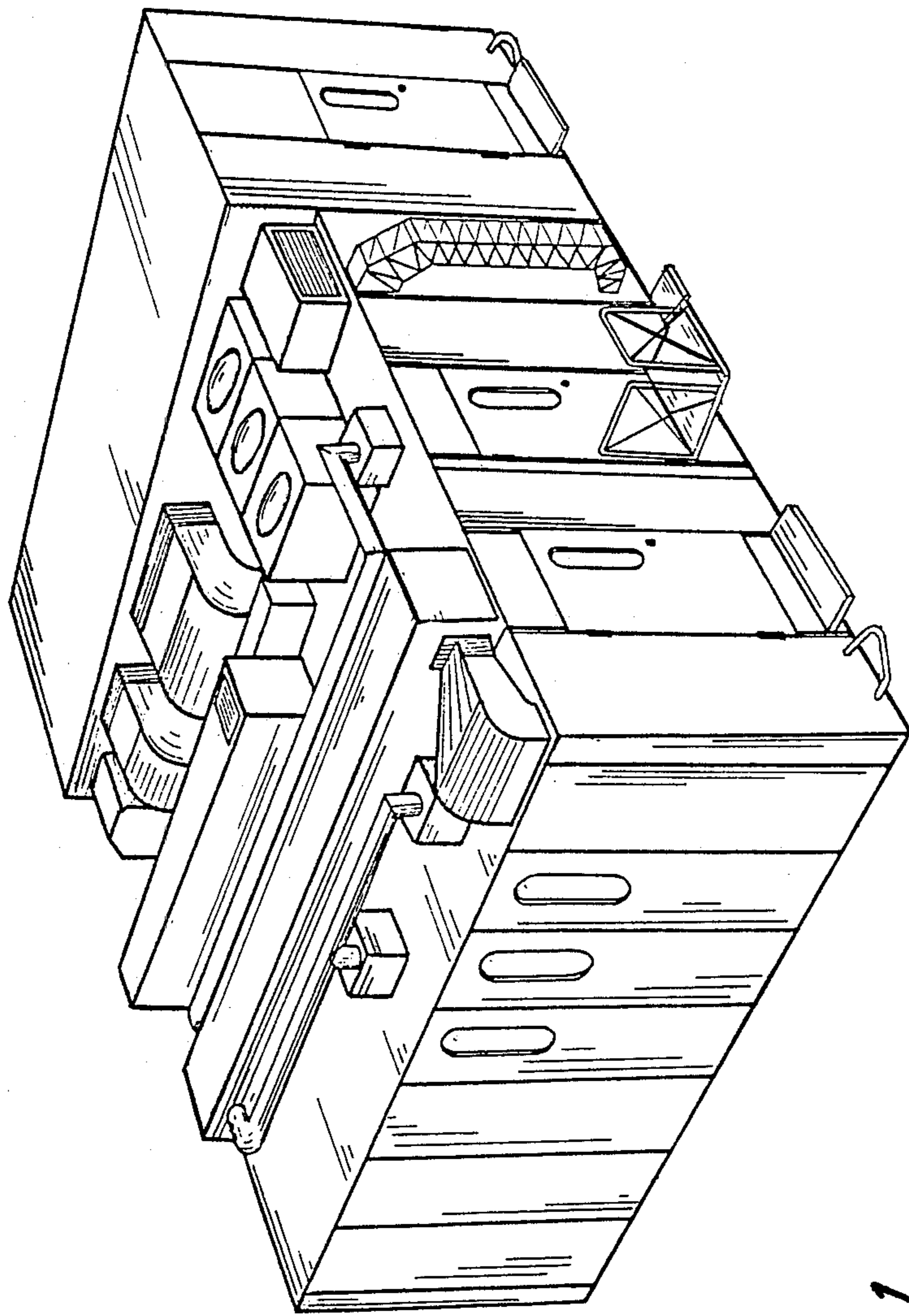


FIG. 1.

FIG. 2.

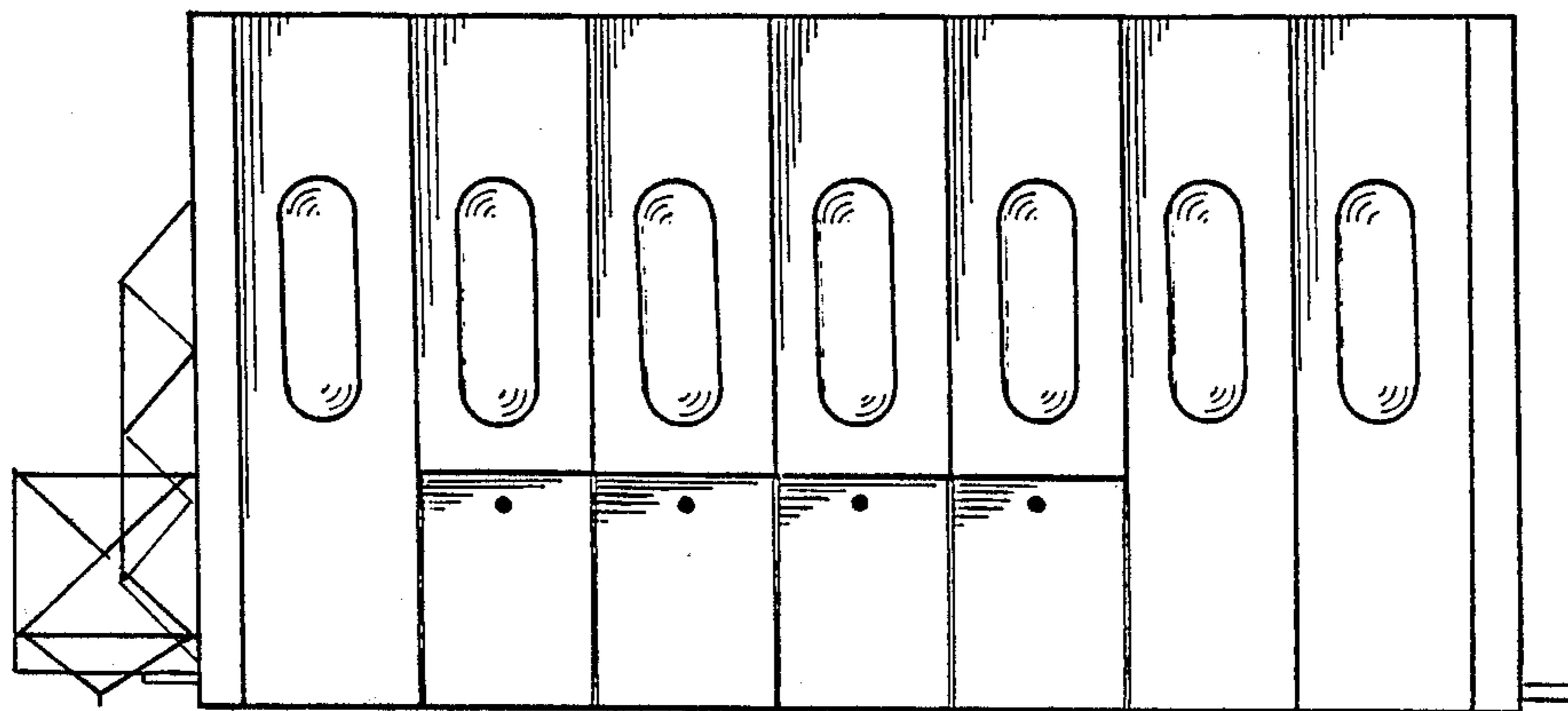
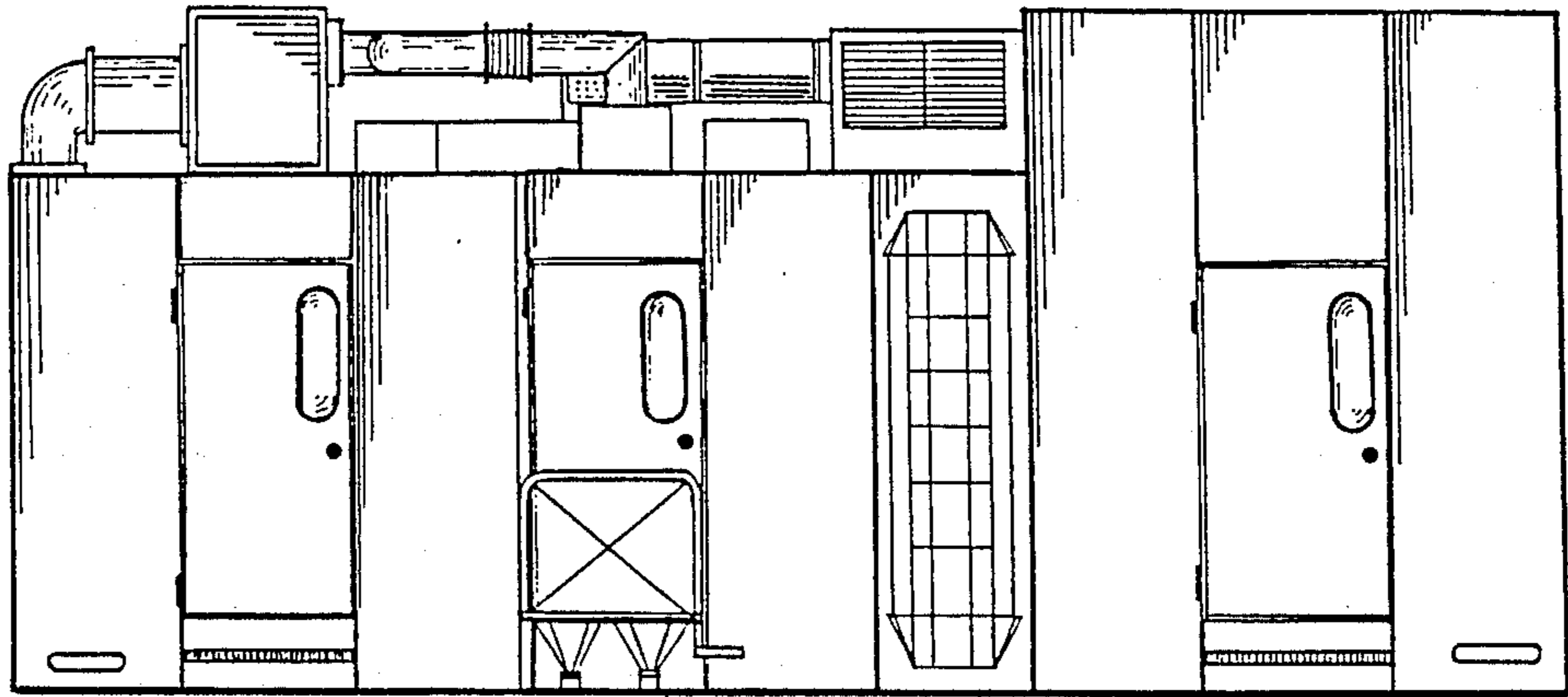


FIG. 3.

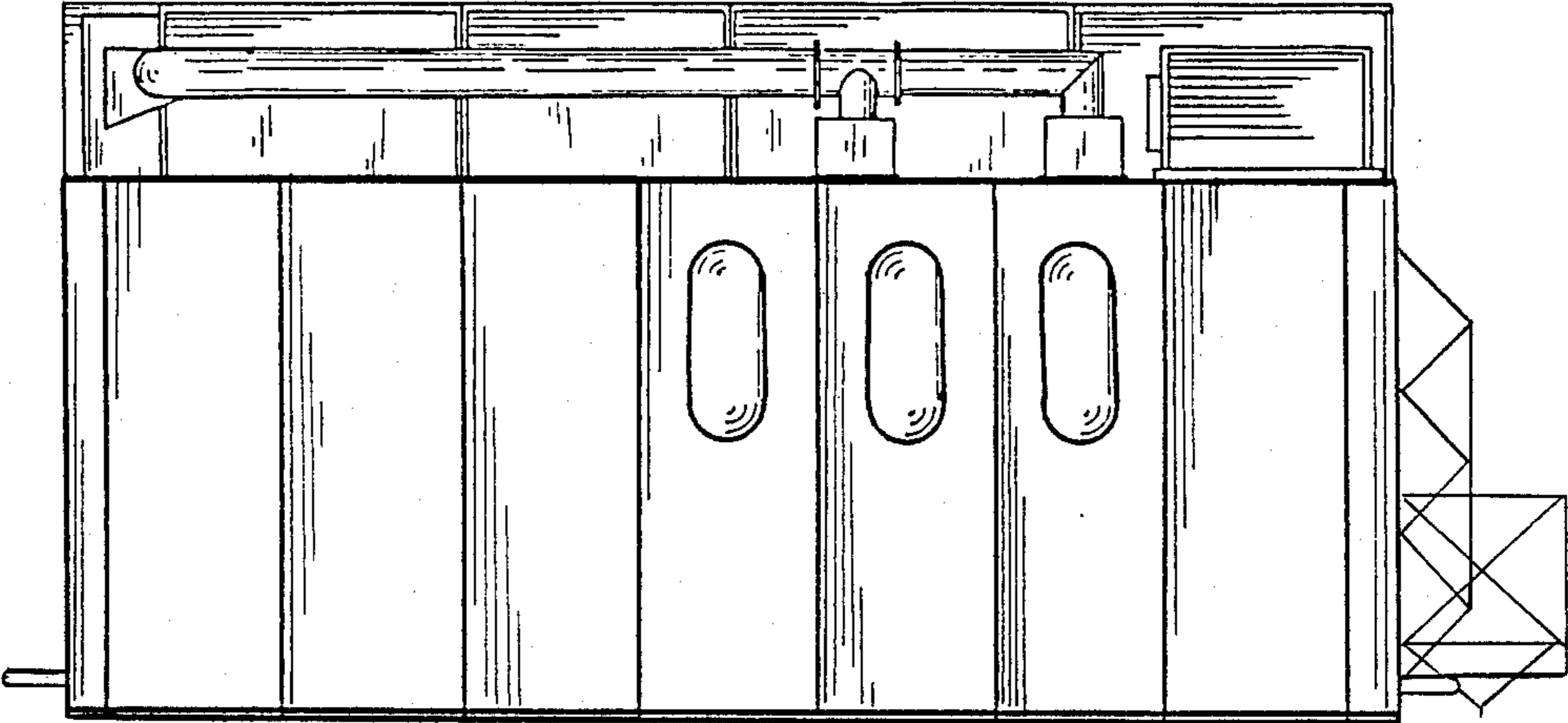


FIG. 4.

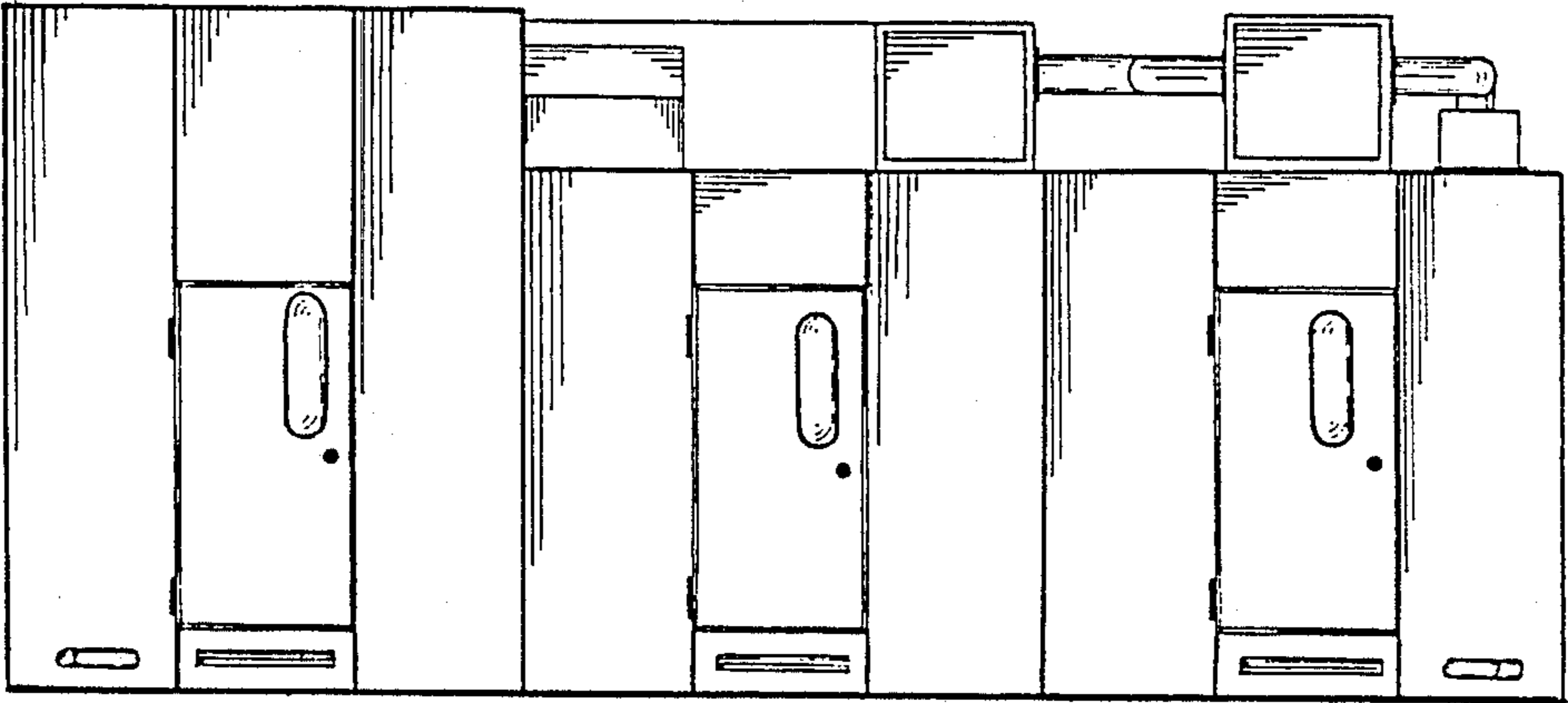


FIG. 5.

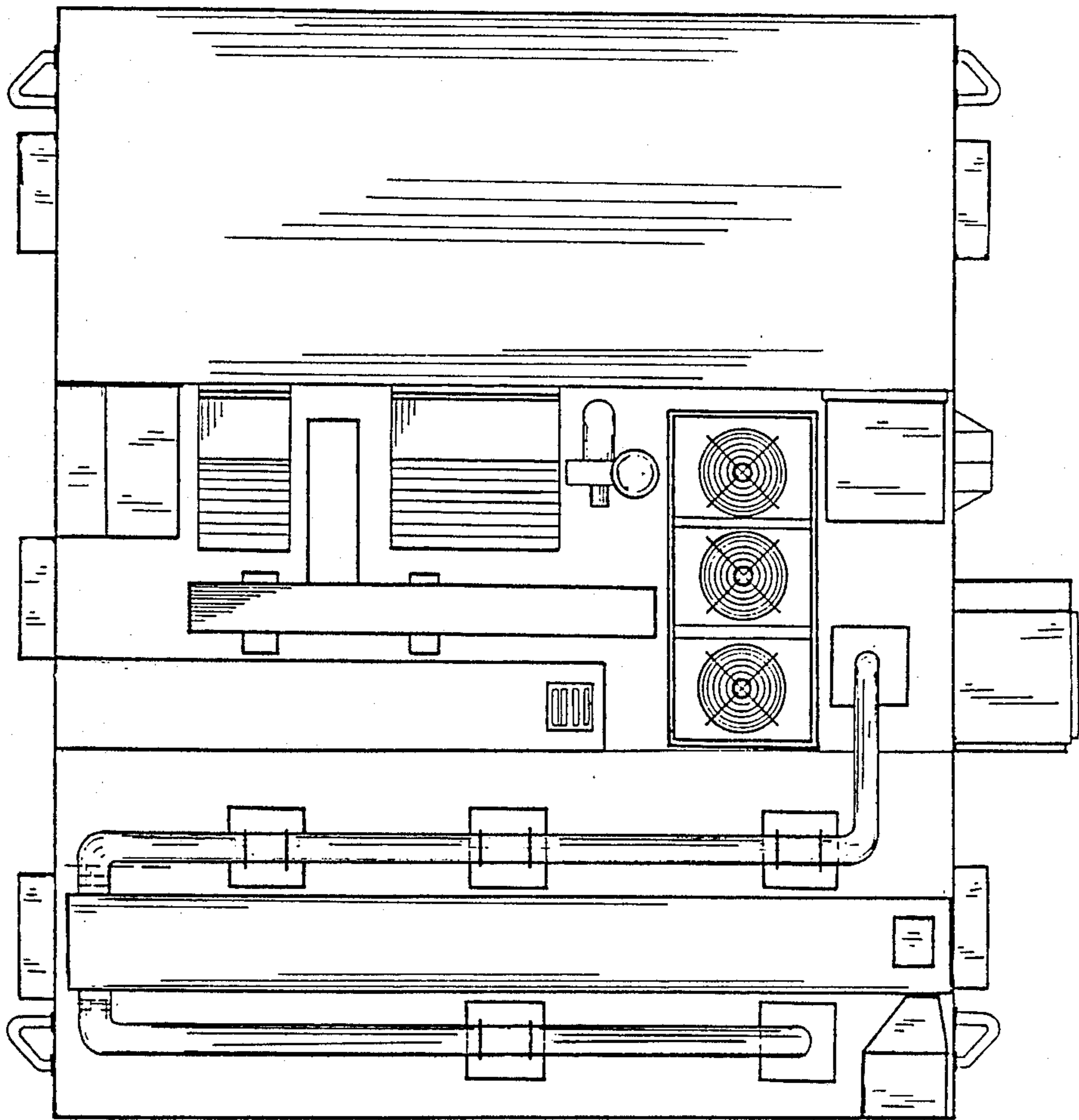


FIG. 6.

FIG. 7.

