

[54] URINARY DRAINAGE CANNISTER

[76] Inventor: Dennis M. Kay, 236 Mariner Dr.,  
Tarpon Springs, Fla. 33589

[\*\*] Term: 14 Years

[21] Appl. No.: 700,918

[22] Filed: Feb. 12, 1985

[52] U.S. Cl. .... D24/54; D24/51;  
D24/56

[58] Field of Search ..... D24/54, 51, 56;  
128/760; 604/317, 319; D7/9, 78, 371; D32/53;  
D22/136; D21/120, 109

[56] References Cited

U.S. PATENT DOCUMENTS

D. 290,568 6/1987 Feltman et al. .... D7/9  
3,756,451 9/1973 Popeil ..... D32/53 X

OTHER PUBLICATIONS

Gifts and Decorative Accessories catalog, No Spill, No  
Slide Mugs, ©1984, p. 157.

Primary Examiner—Wallace R. Burke

Assistant Examiner—Stella M. Reid  
Attorney, Agent, or Firm—Lalos & Keegan

[57] CLAIM

The ornamental design for a urinary drainage cannister,  
as shown and described.

DESCRIPTION

FIG. 1 is a perspective view of a urinary drainage can-  
nister showing my new design.

FIG. 2 is a side elevational view thereof.

FIG. 3 is a front elevational view thereof.

FIG. 4 is a back elevational view thereof.

FIG. 5 is a top plan view thereof.

FIG. 6 is a perspective view of another urinary drainage  
cannister, similar to that of FIG. 1, showing my new  
design.

FIG. 7 is a perspective view of another urinary drainage  
cannister showing my new design.

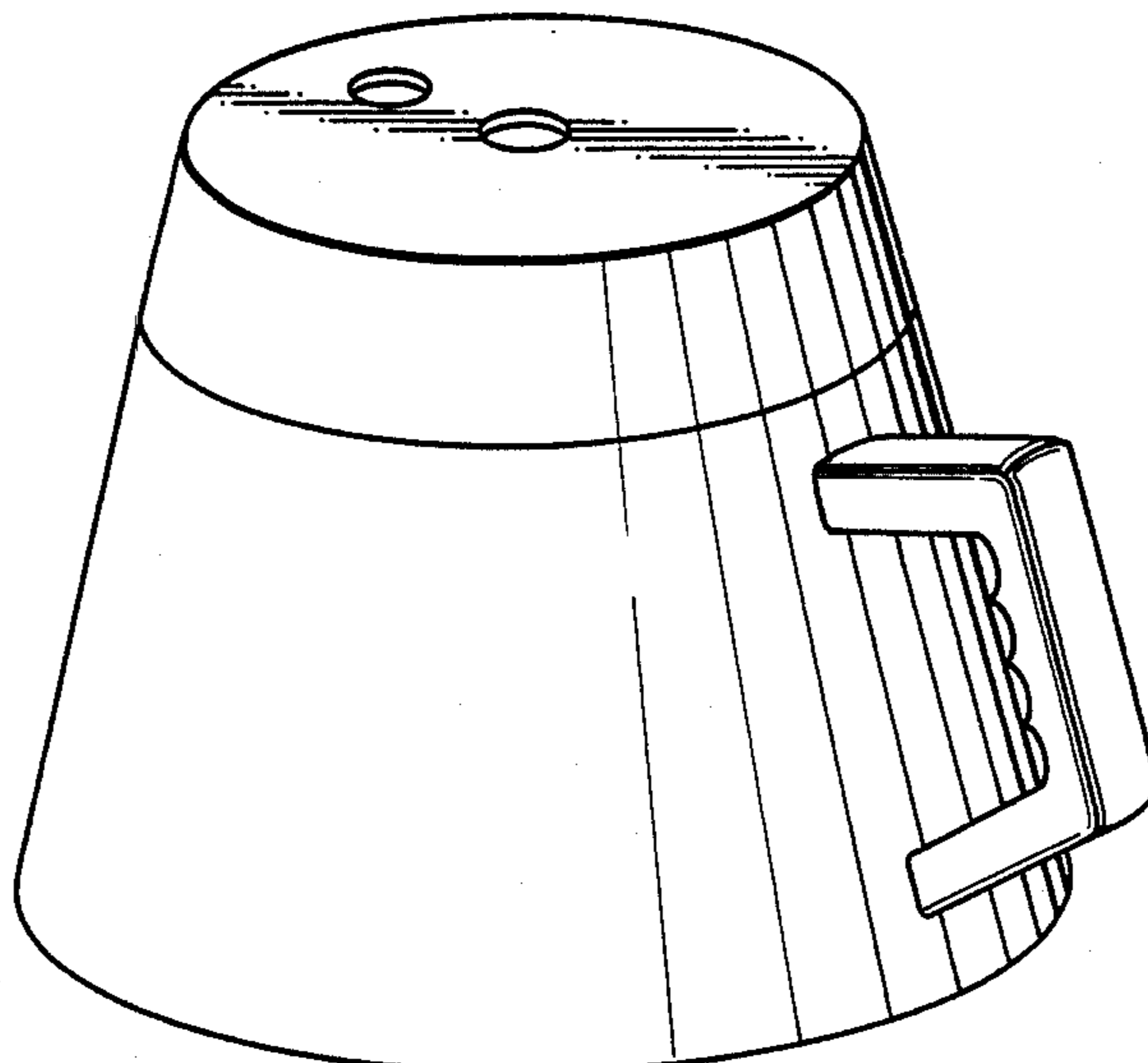
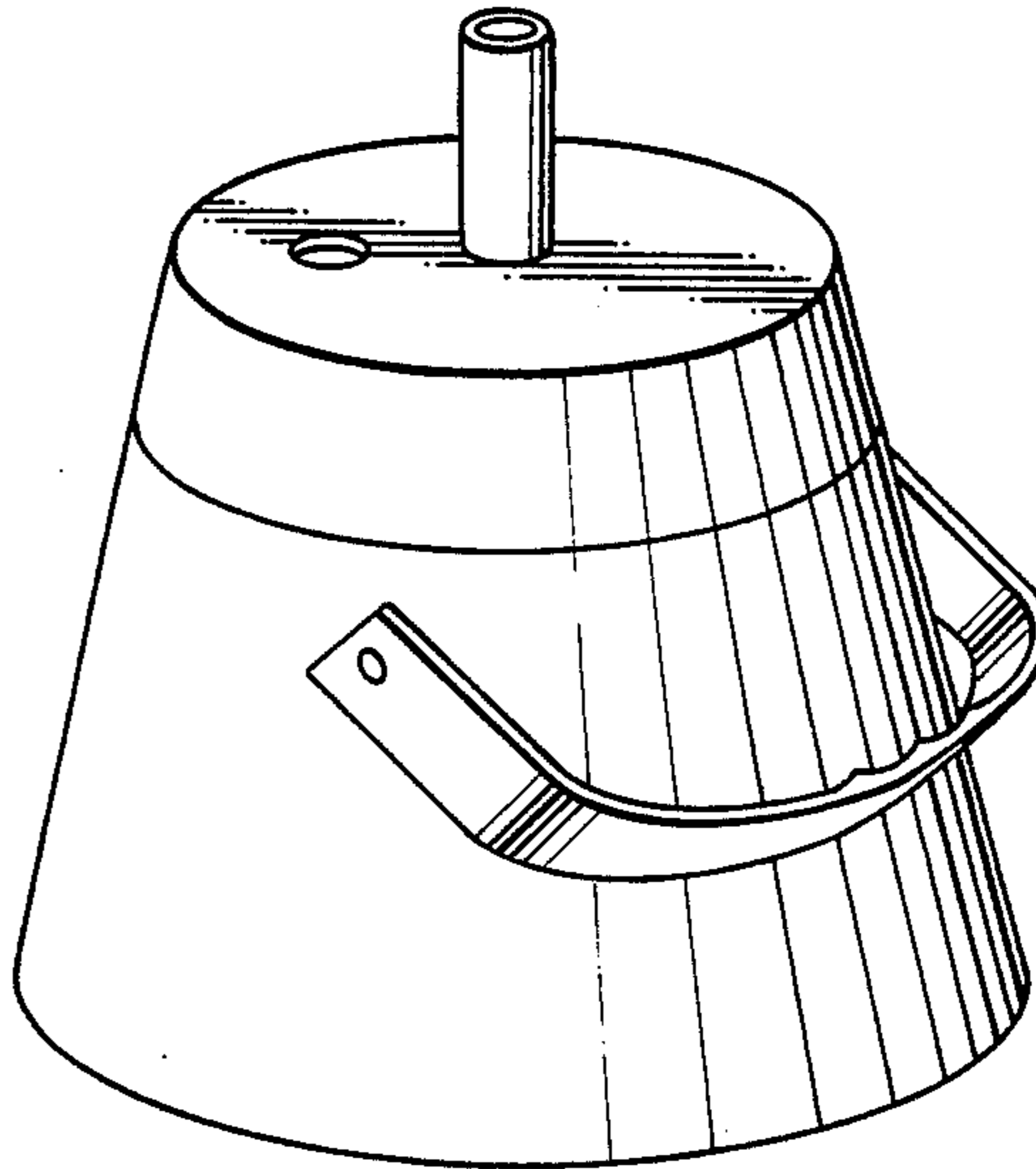
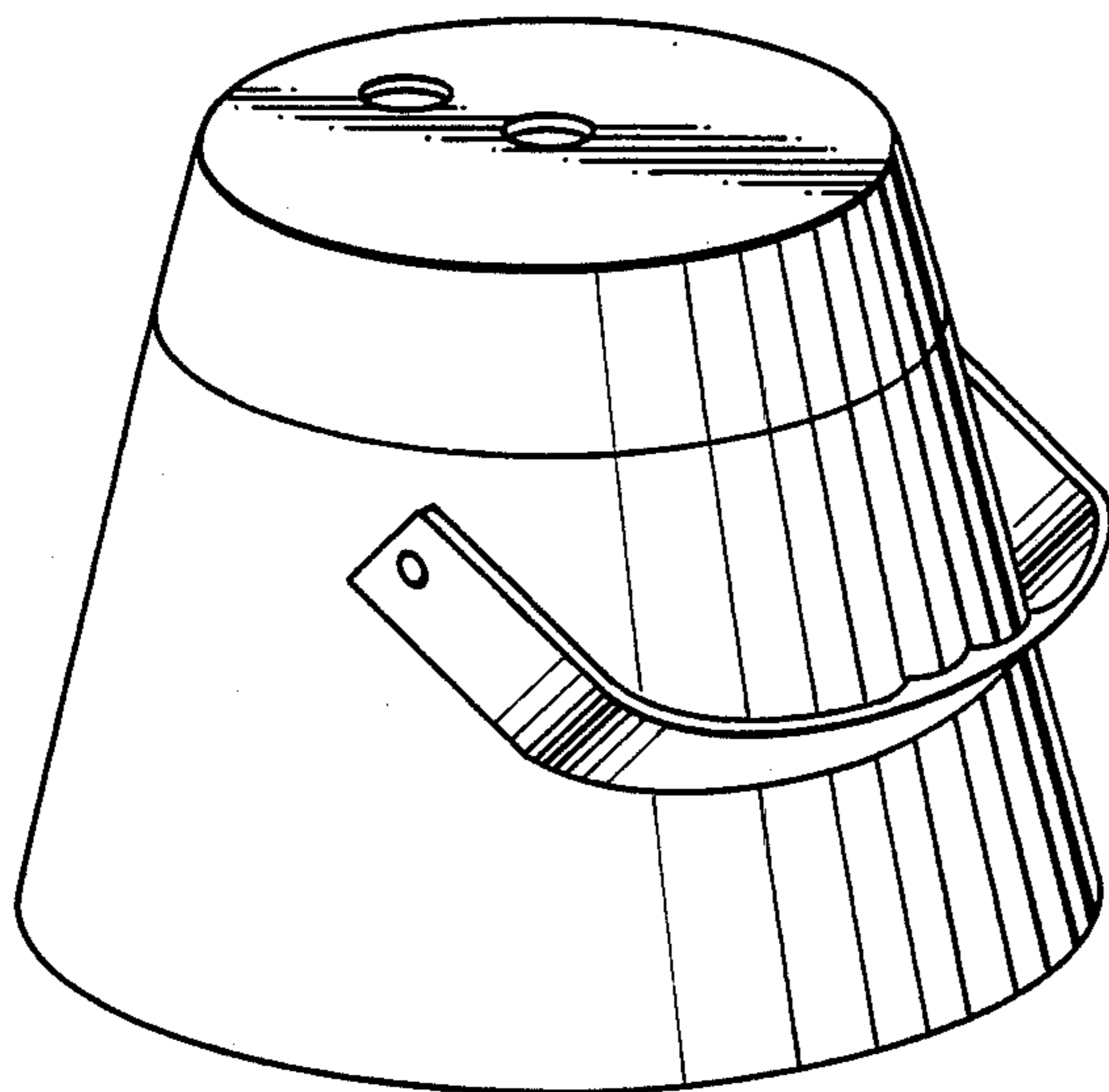
FIG. 8 is a side elevational view thereof.

FIG. 9 is a front elevational view thereof.

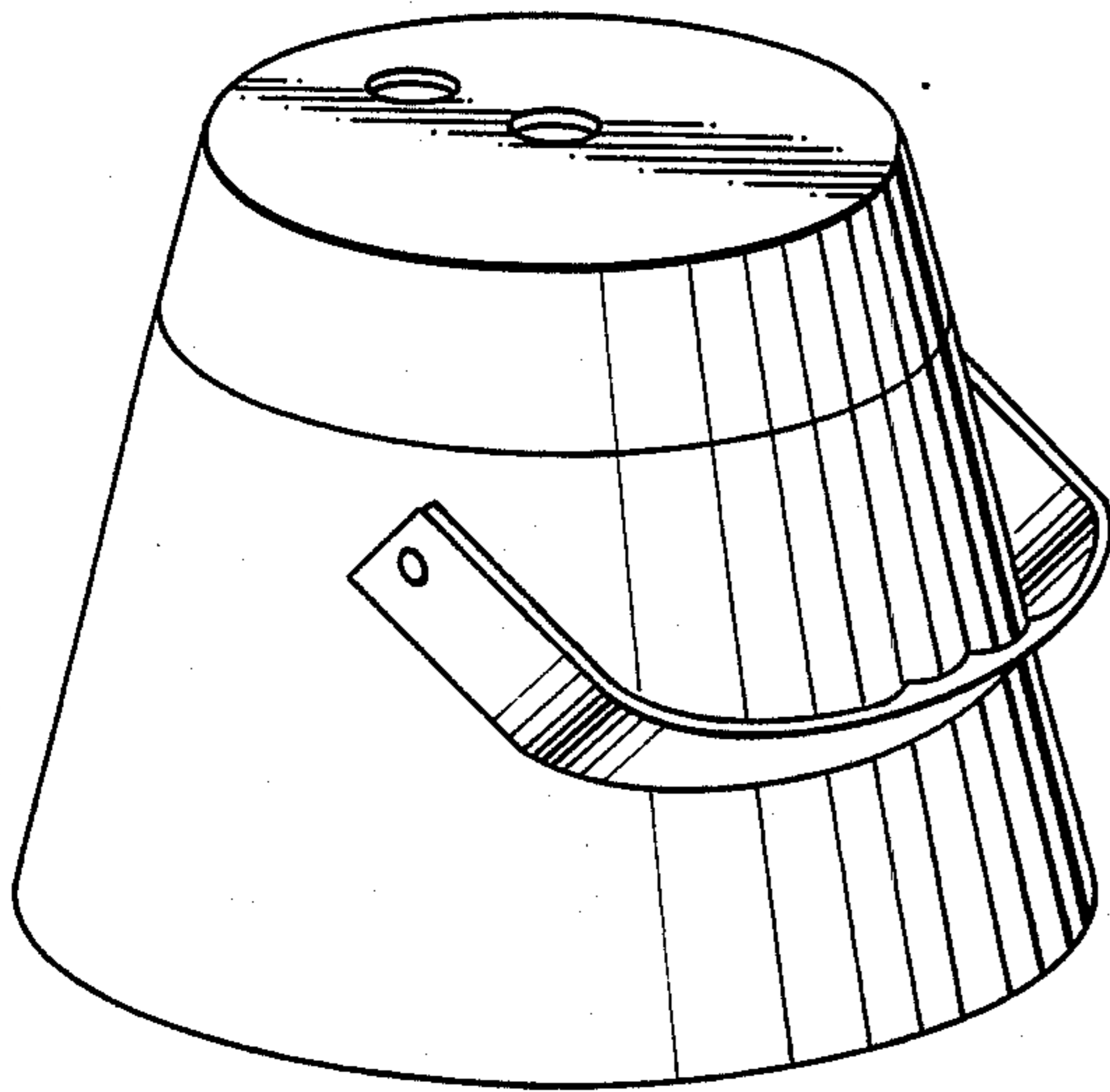
FIG. 10 is a rear elevational view thereof.

FIG. 11 is a top plan view thereof.

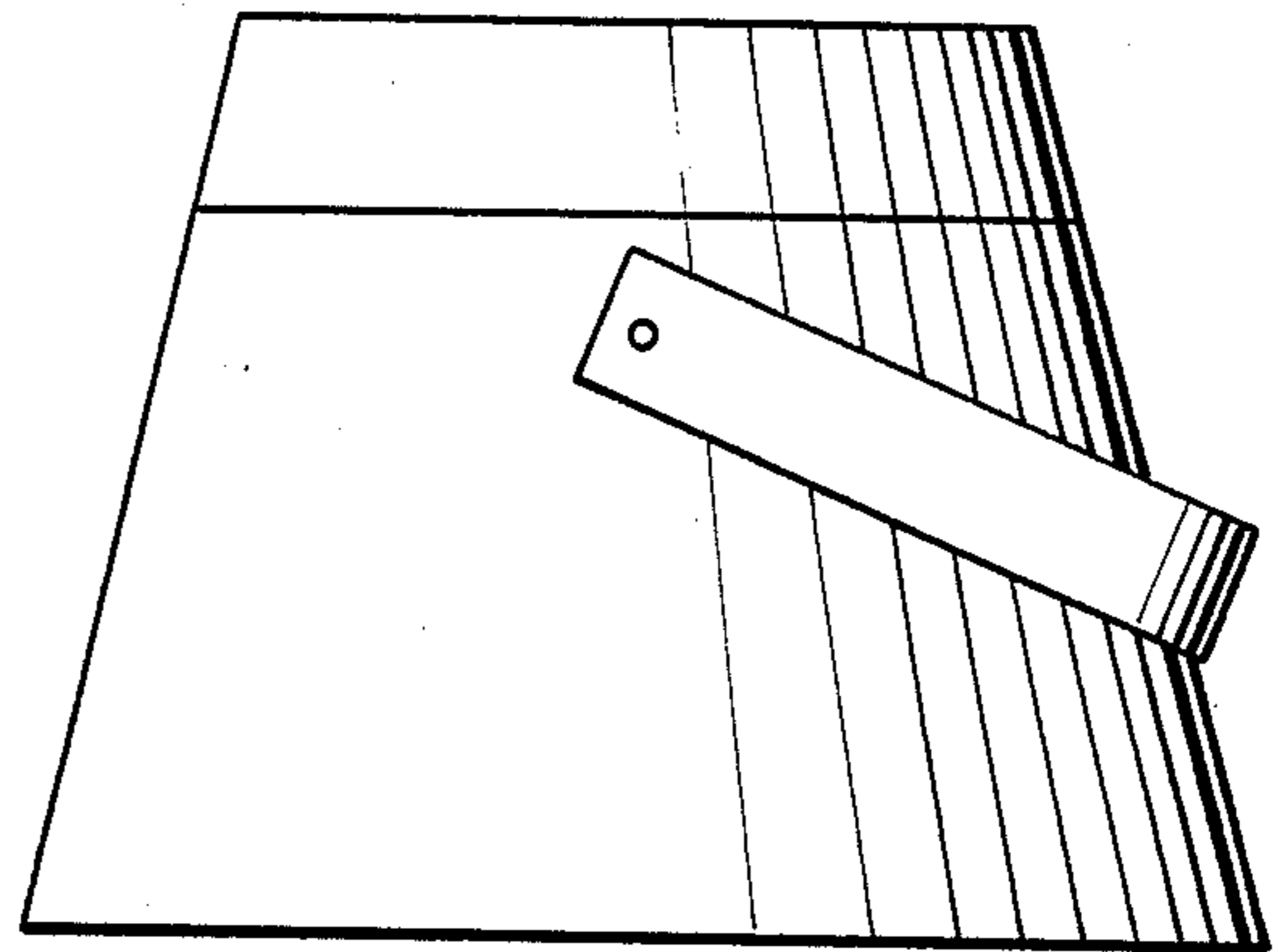
The bottom of the claimed design is substantially plain  
and unornamented.



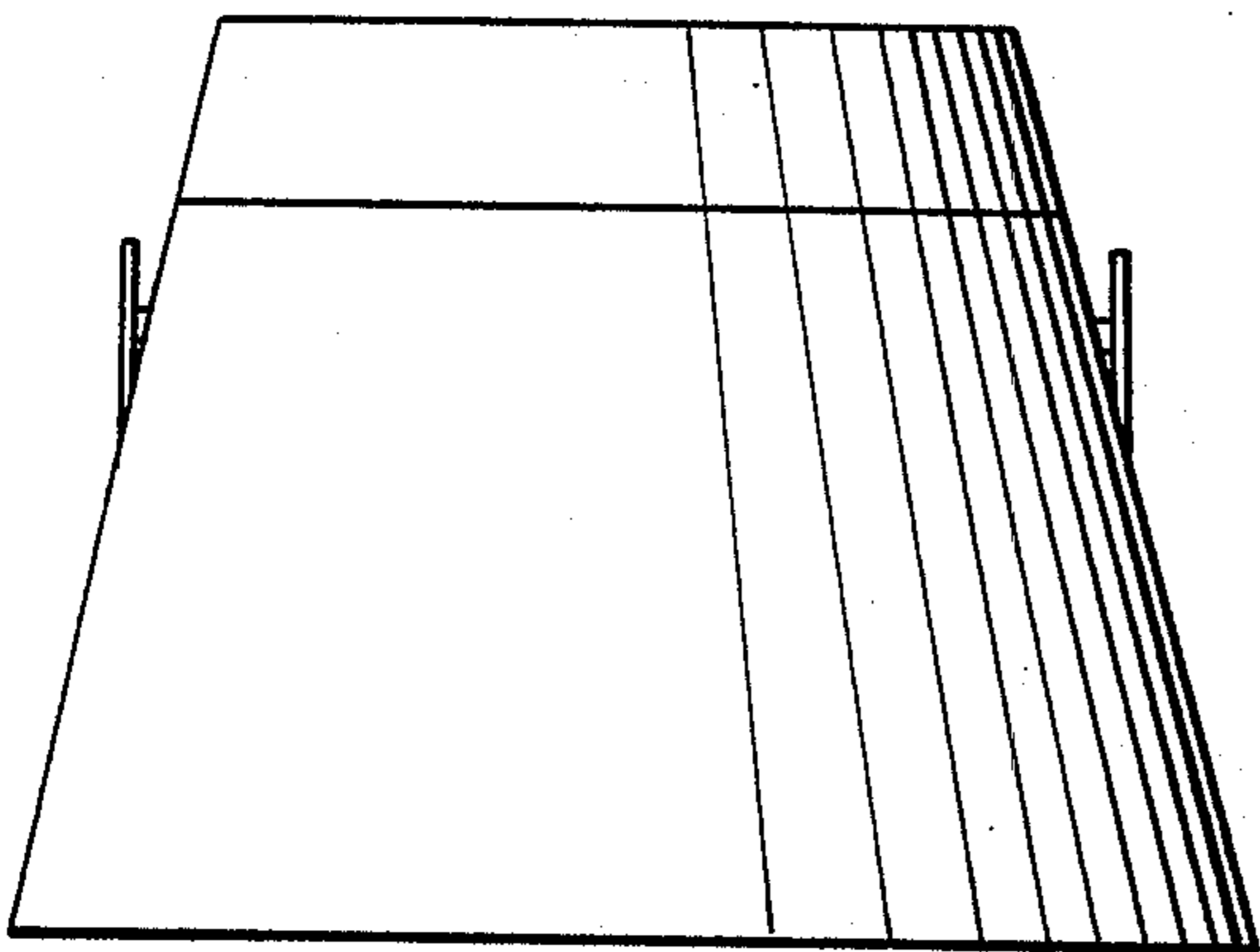
**FIG. 1.**



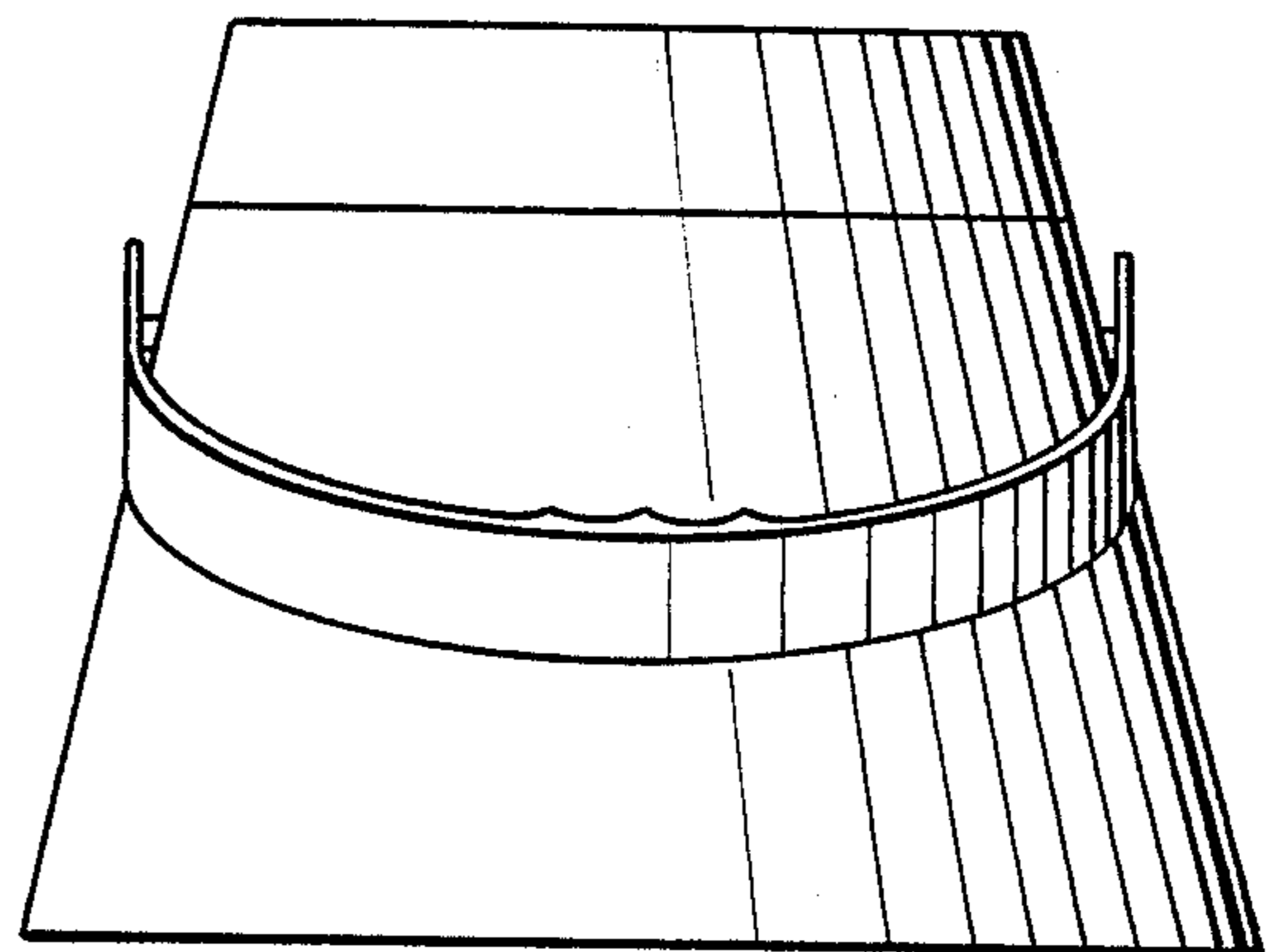
**FIG. 2.**



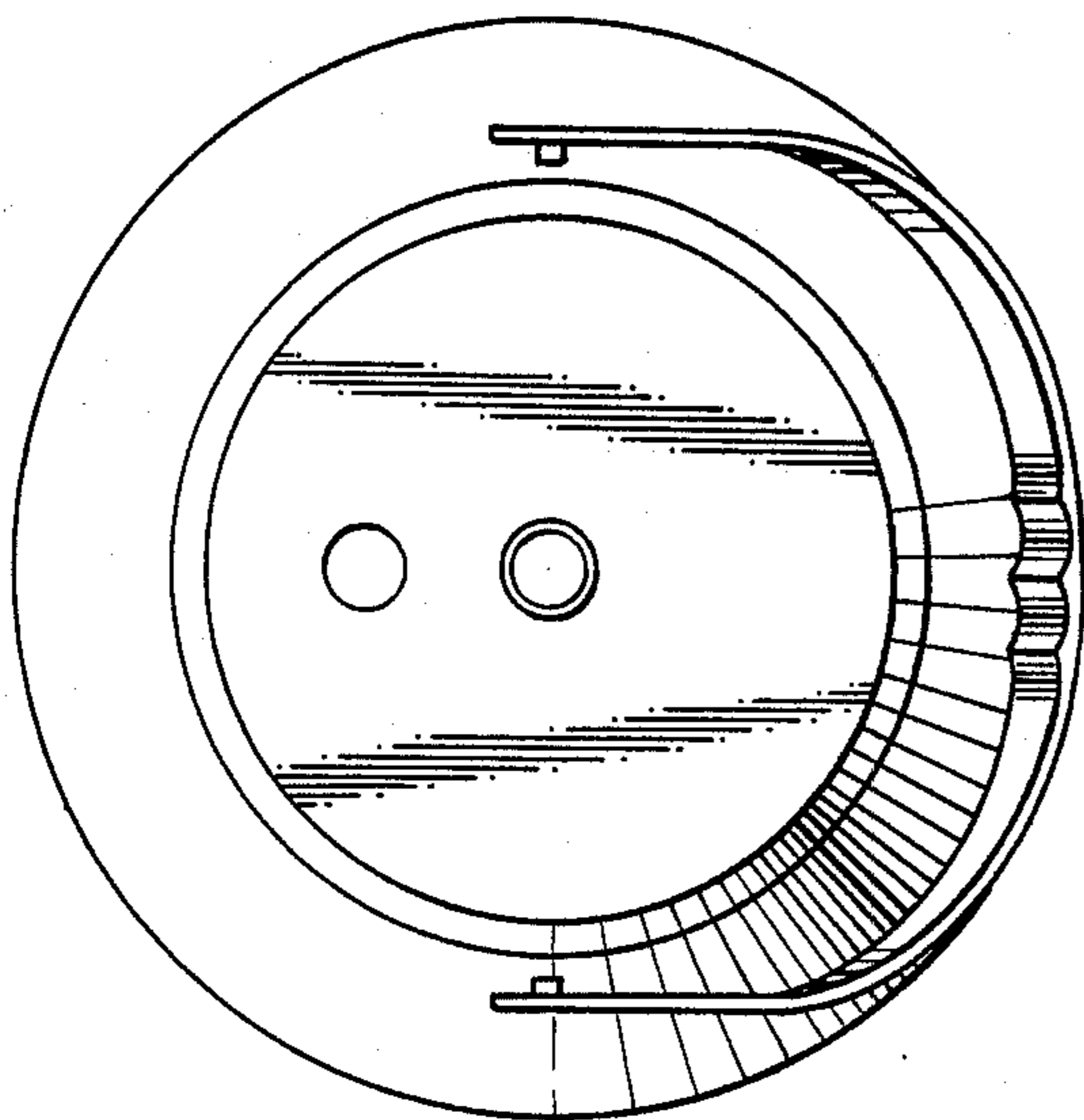
**FIG. 3.**



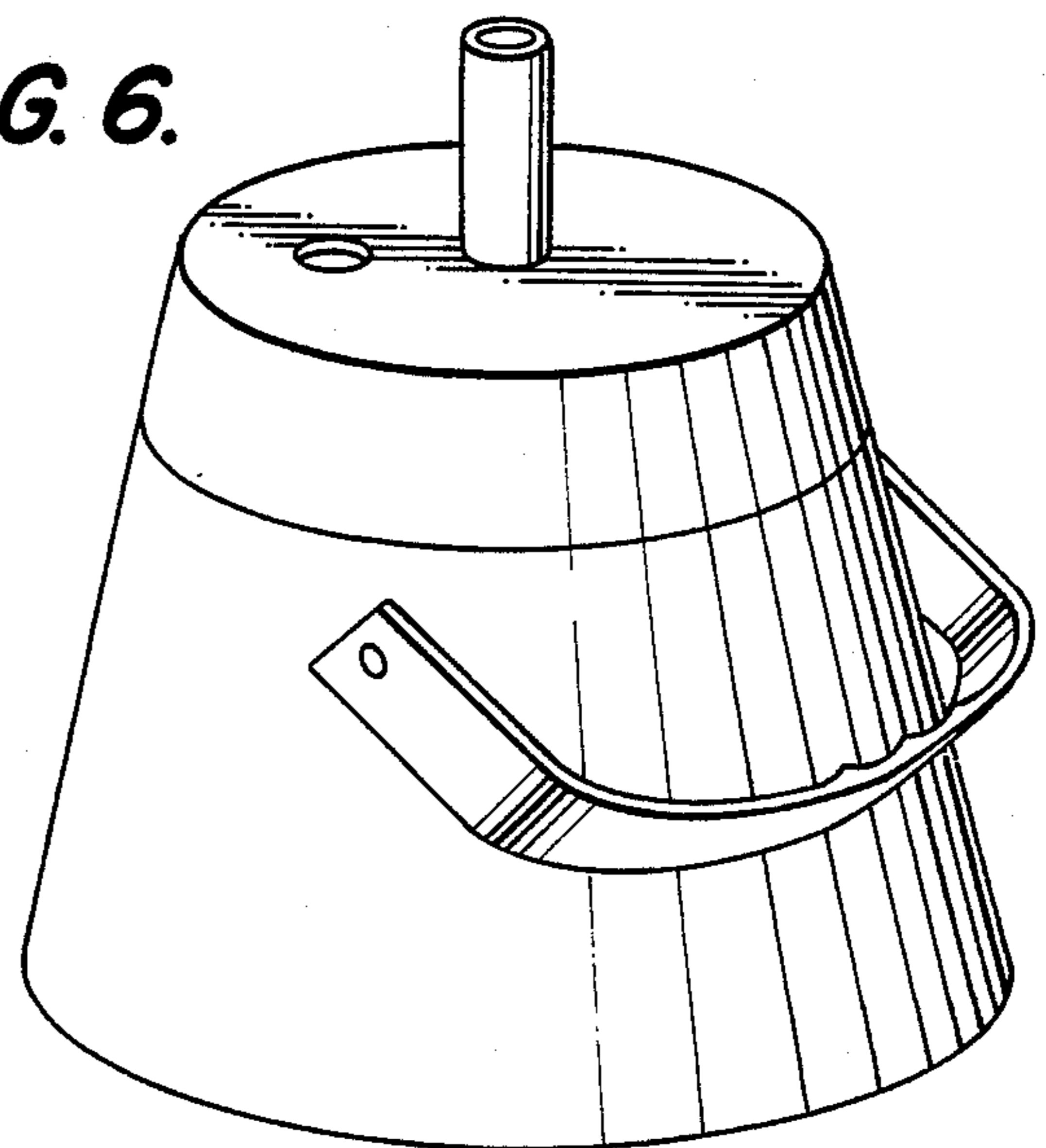
**FIG. 4.**



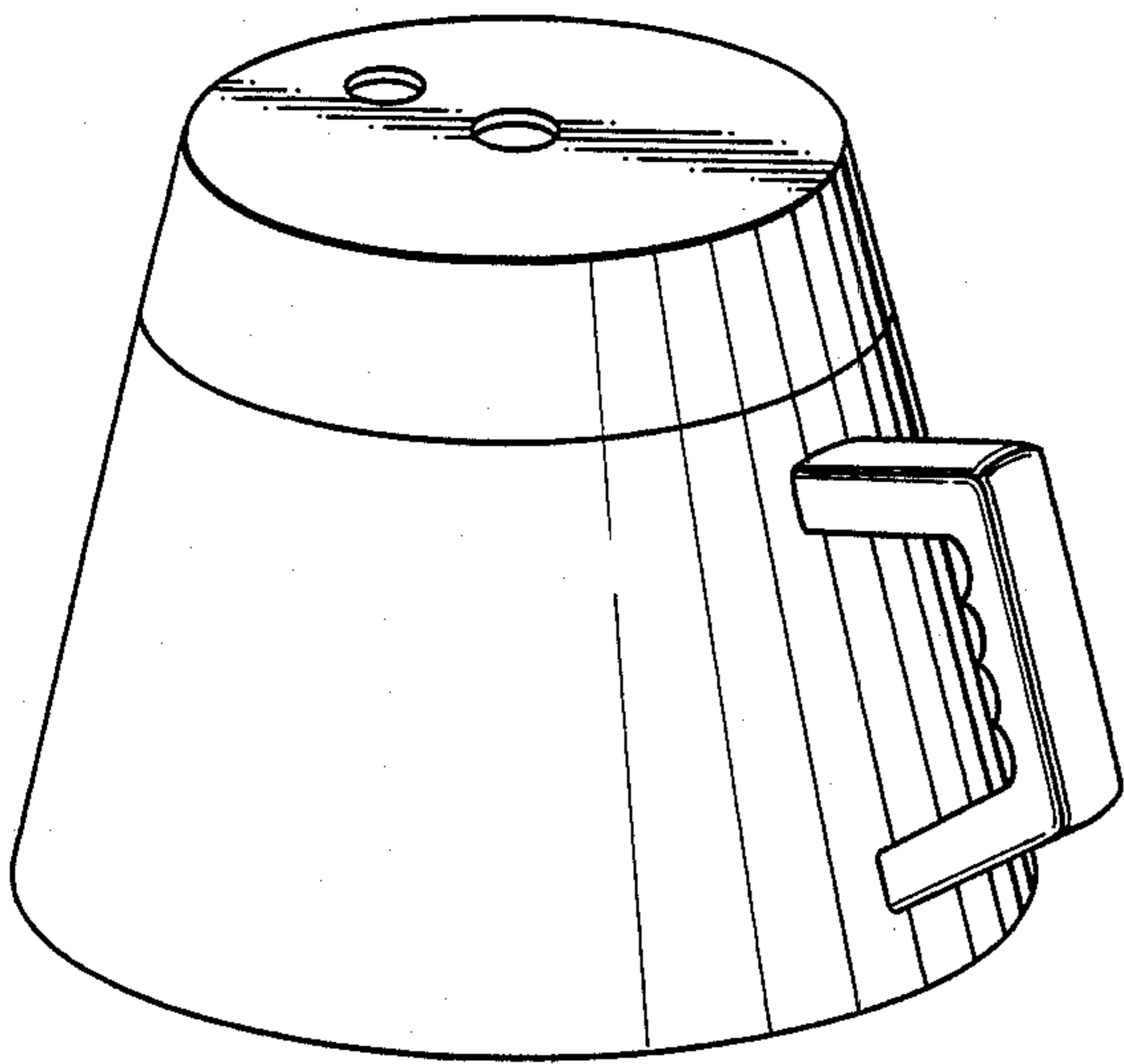
**FIG. 5.**



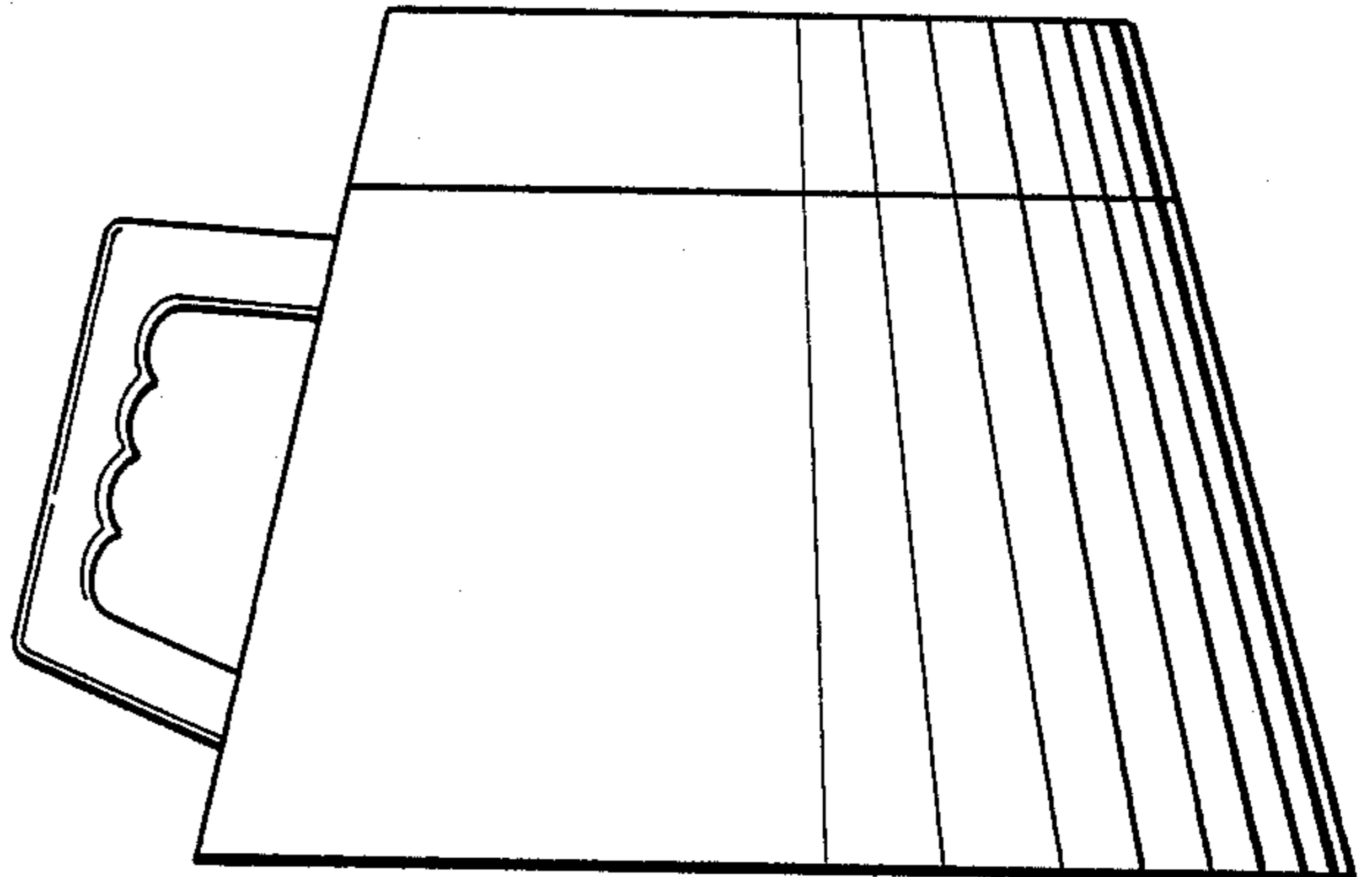
**FIG. 6.**



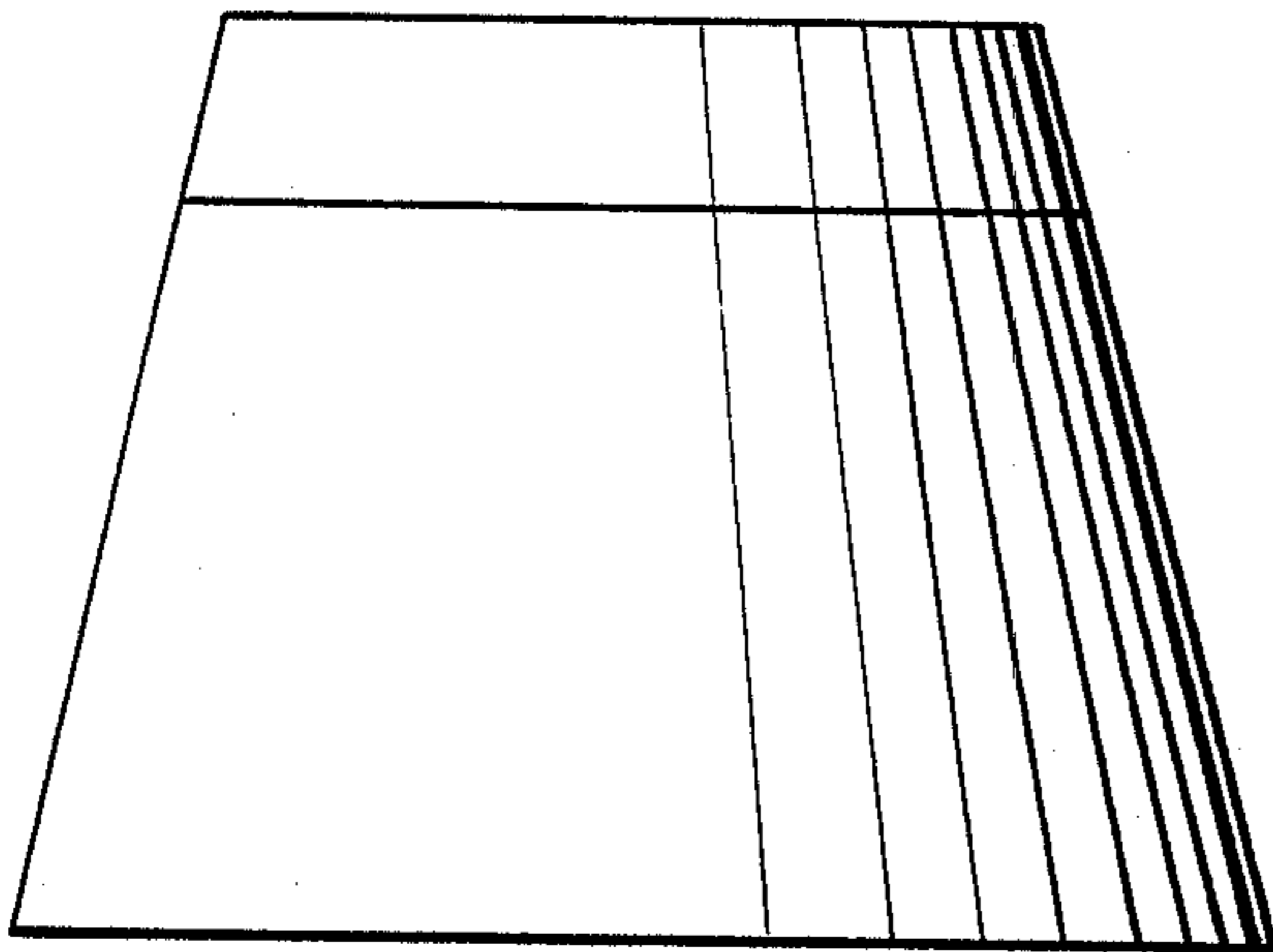
**FIG. 7.**



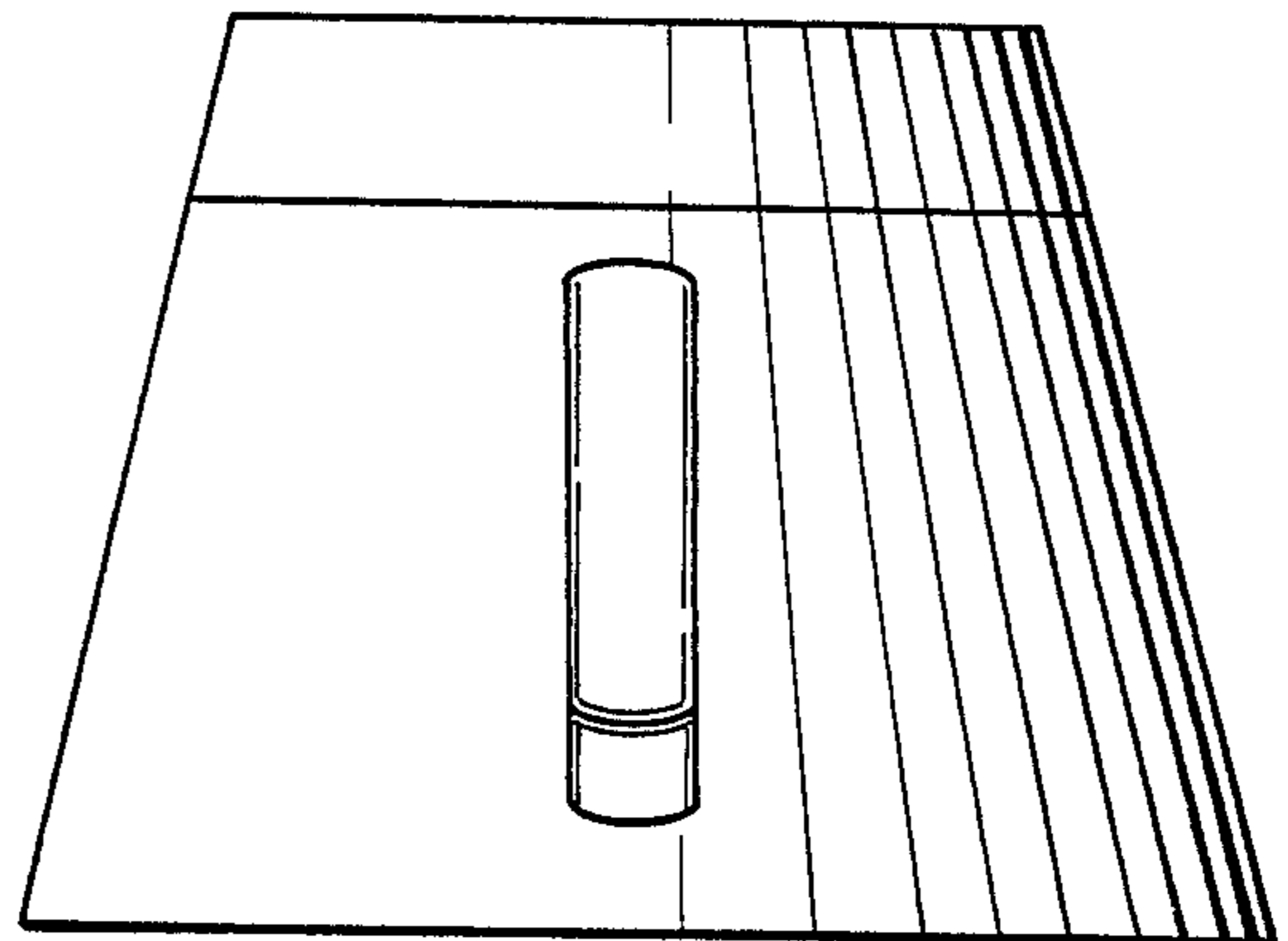
**FIG. 8.**



**FIG. 9.**



**FIG. 10.**



**FIG. 11.**

