

# United States Patent [19]

Steinhilber et al.

[11] Patent Number: **Des. 300,849**

[45] Date of Patent: **\*\* Apr. 25, 1989**

[54] **MAGNETIC RESONANCE IMAGER**

[75] Inventors: **Budd Steinhilber, Stinson Beach;  
Kenneth C. Gilliam, San Francisco,**  
both of Calif.

[73] Assignee: **Resonex, Inc., Sunnyvale, Calif.**

[\*\*] Term: **14 Years**

[21] Appl. No.: **890,660**

[22] Filed: **Jul. 25, 1986**

[52] U.S. Cl. .... **D24/2**

[58] Field of Search ..... **D24/2, 1.1; 128/653,  
128/906; 378/4.27, 147; D10/46, 75, 76, 77, 81,  
103**

[56] **References Cited**

### U.S. PATENT DOCUMENTS

D. 270,182 8/1983 Wagner ..... D24/2  
D. 283,729 5/1986 Ramsey ..... D24/1.1

4,015,129 3/1977 Manring ..... 378/4  
4,304,999 12/1981 Richey et al. .... 378/147 X  
4,551,678 11/1985 Morgan et al. .... 128/653 X  
4,727,328 2/1988 Carper et al. .... 128/653 X

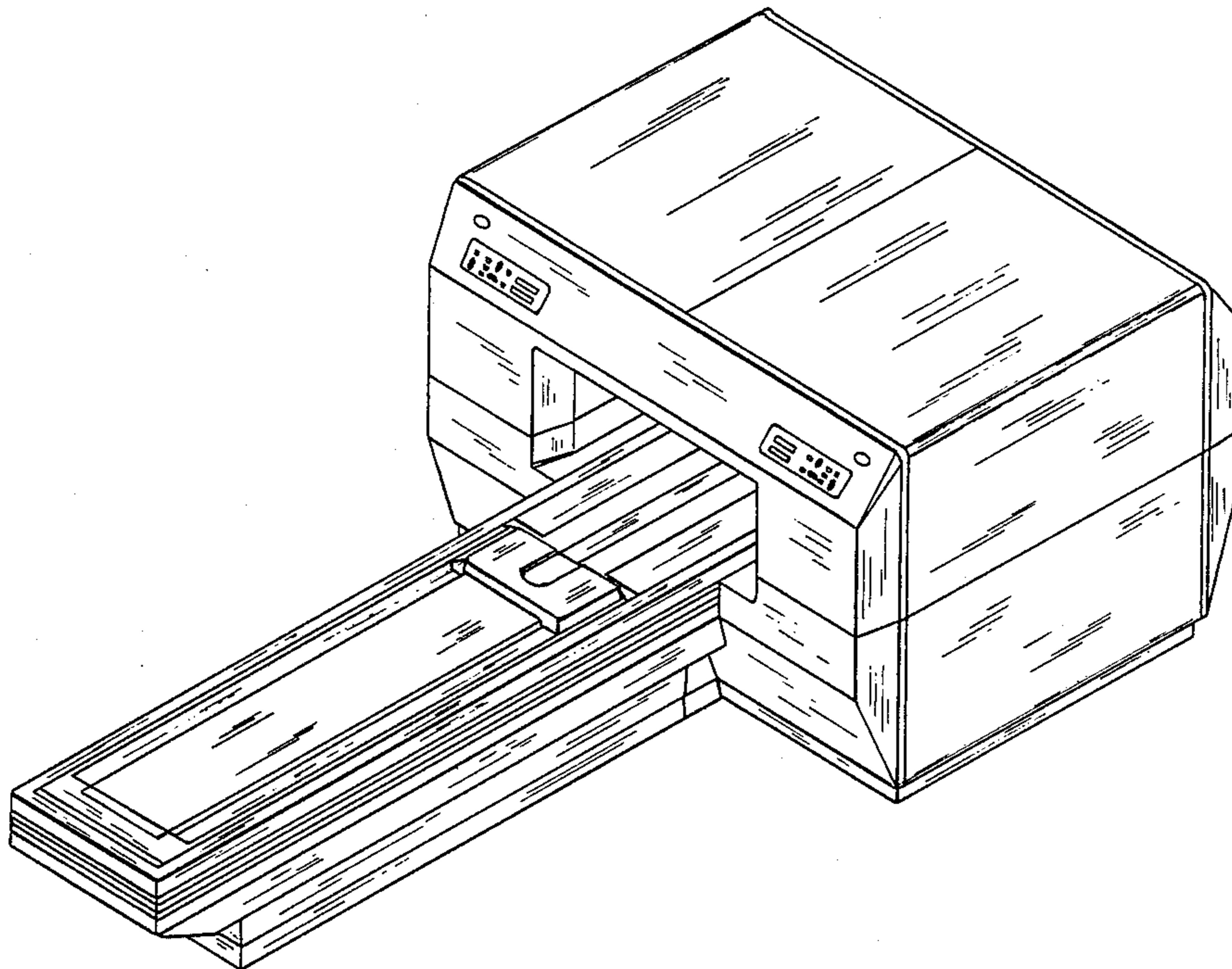
*Primary Examiner*—Wallace R. Burke  
*Assistant Examiner*—Stella M. Reid  
*Attorney, Agent, or Firm*—Flehr, Hohbach, Test,  
Albritton & Herbert

[57] **CLAIM**

The ornamental design for a magnetic resonance imager, as shown.

### DESCRIPTION

FIG. 1 is a perspective view of a magnetic resonance imager, showing our new design;  
FIG. 2 is a side elevational view thereof, the opposite side being identical thereto;  
FIG. 3 is a front elevational view thereof;  
FIG. 4 is a rear elevational view thereof; and  
FIG. 5 is a top plan view thereof.



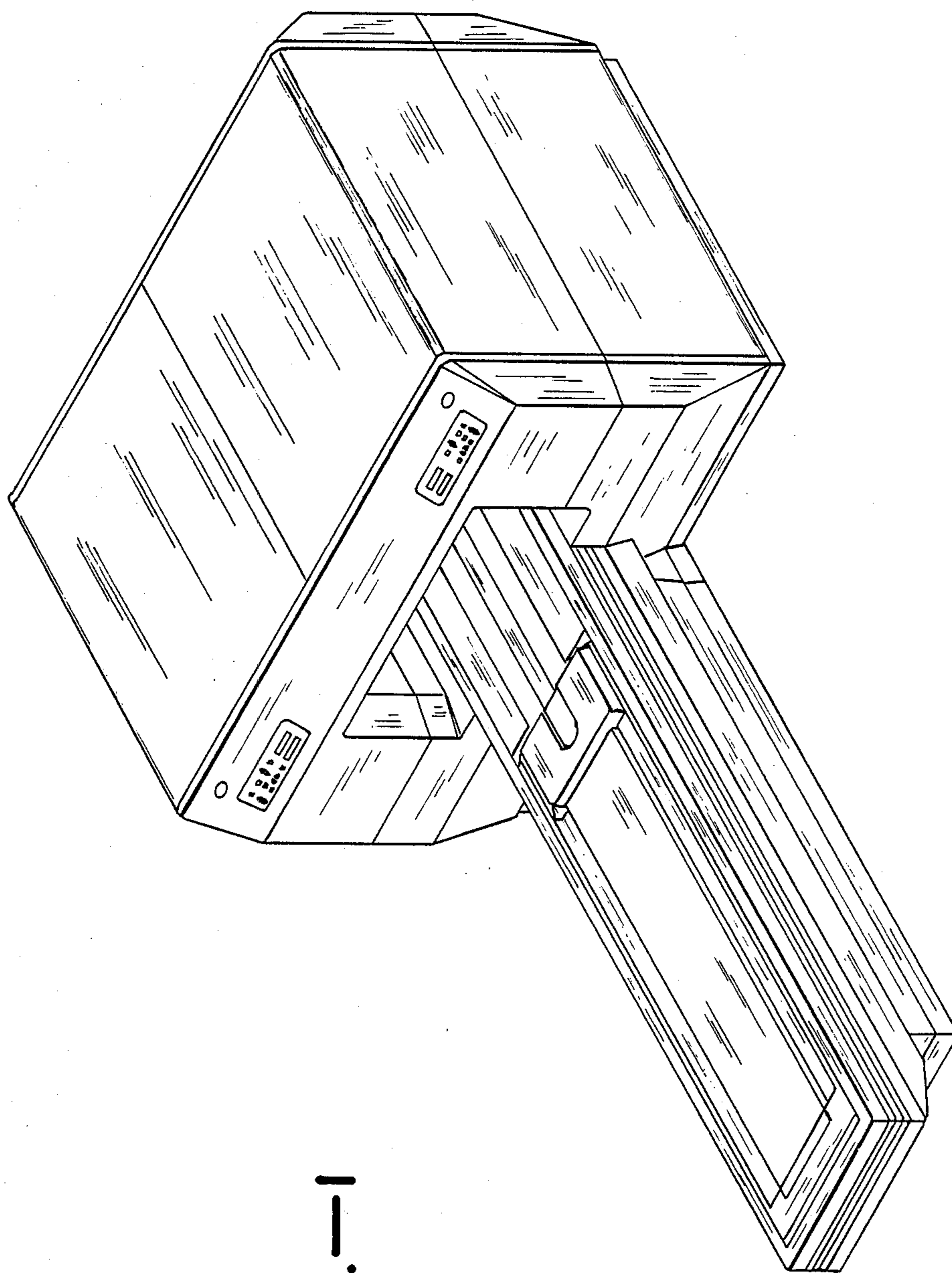


FIG.—1

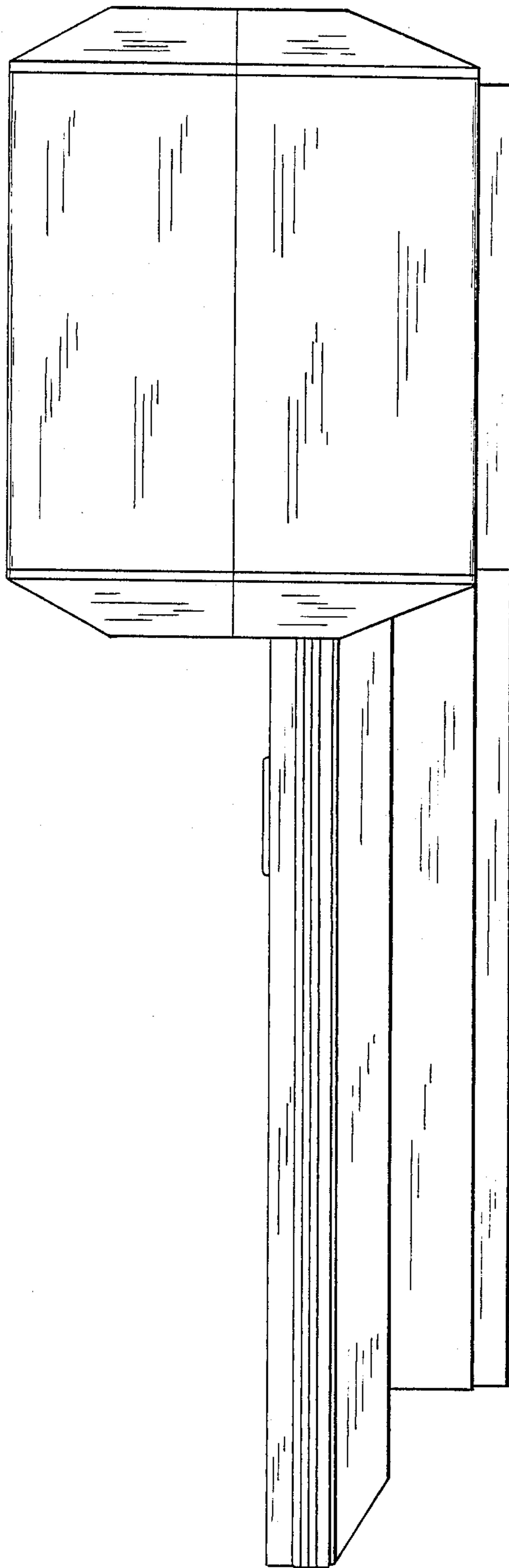


FIG.—2

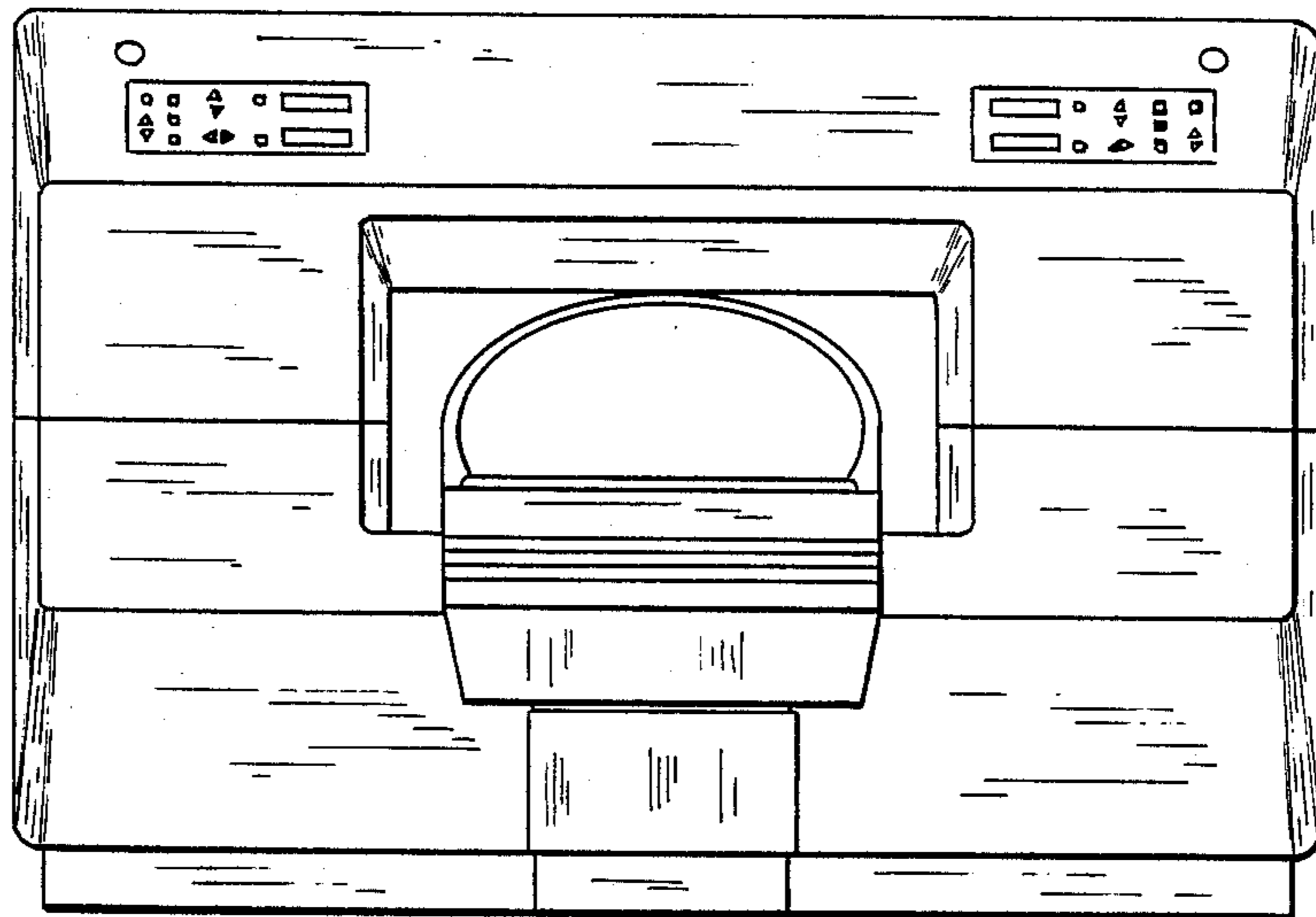


FIG.— 3

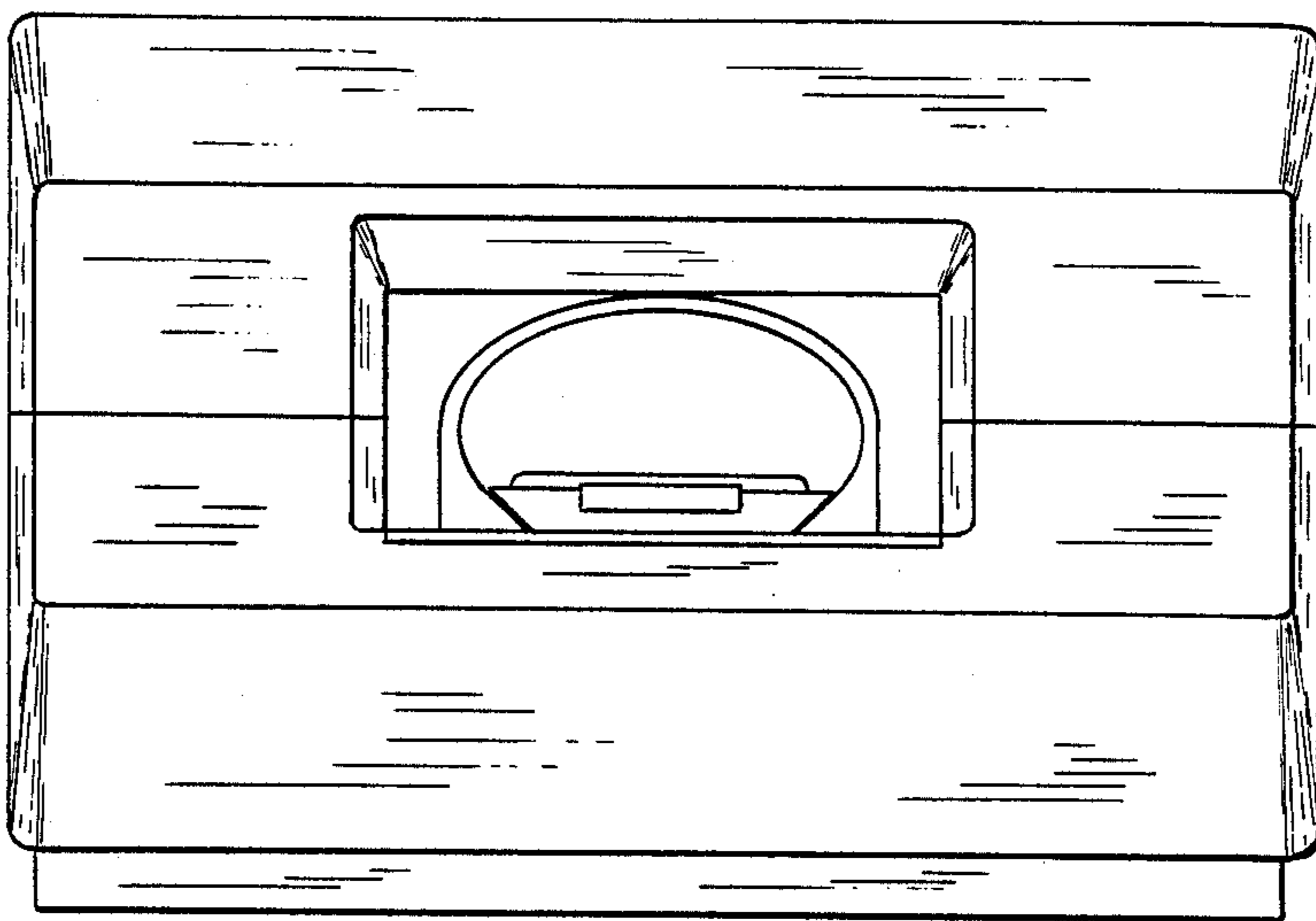


FIG.— 4

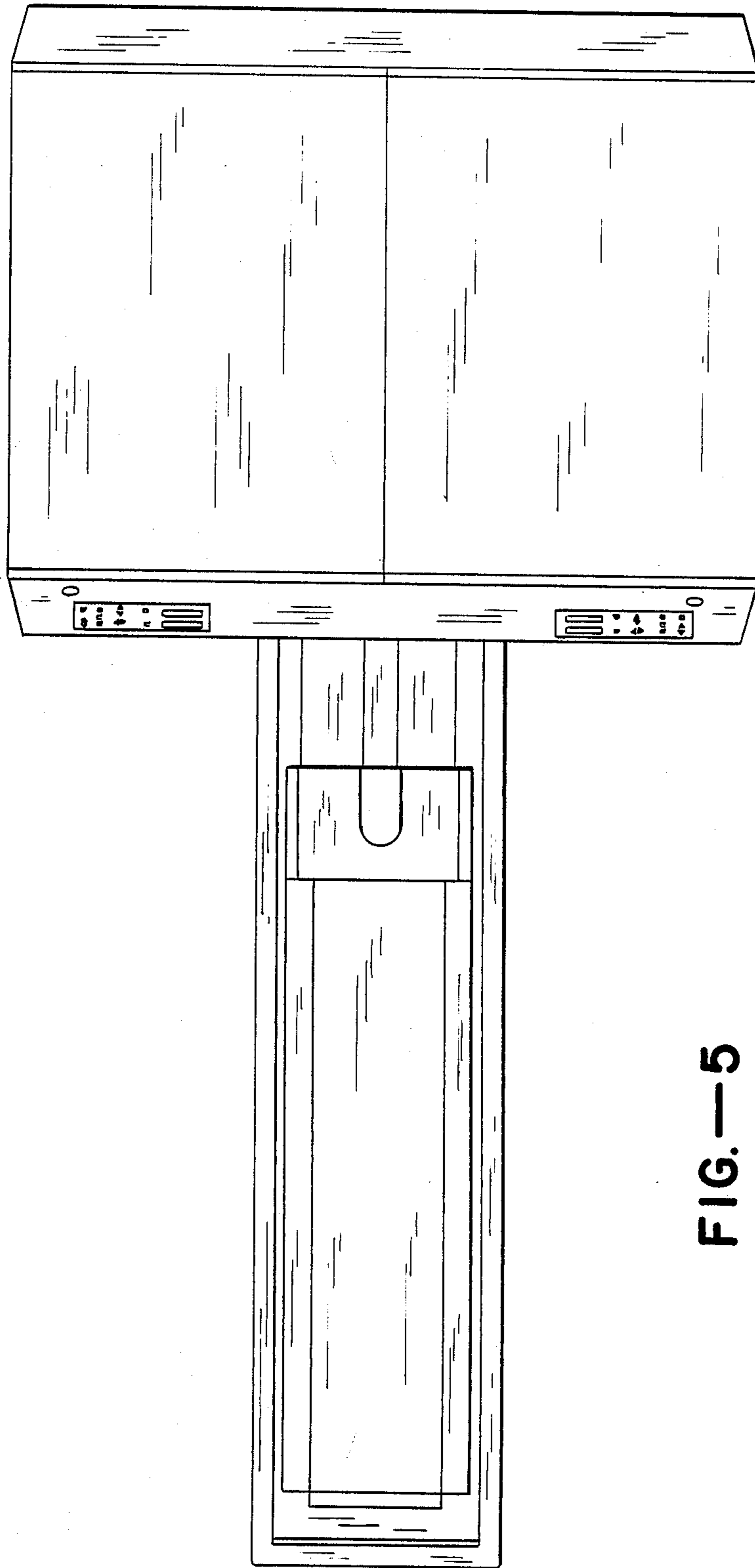


FIG.—5