

# United States Patent [19]

Stairs, Jr.

[11] Patent Number: **Des. 300,845**

[45] Date of Patent: **\*\* Apr. 25, 1989**

- [54] SOAKING BATHTUB
- [75] Inventor: **Henry M. Stairs, Jr., Neshanic, N.J.**
- [73] Assignee: **American Standard Inc., New York, N.Y.**
- [\*\*] Term: **14 Years**
- [21] Appl. No.: **834,724**
- [22] Filed: **Feb. 28, 1986**
- [52] U.S. Cl. .... **D23/277**
- [58] Field of Search ..... **D23/270-275, D23/277-282, 303-307; D24/38; 4/538, 559, 571, 573, 575, 578, 584, 589, 590, 592, 594**

D. 278,844	5/1985	Stairs, Jr. ....	D23/55
D. 279,028	5/1985	Kahler, Jr. et al. ....	D23/281
D. 279,702	7/1985	Harrison .....	D23/280
1,445,243	2/1923	Spaleck .....	4/584
2,346,942	4/1944	Rodman .....	4/594

*Primary Examiner*—James R. Largen  
*Attorney, Agent, or Firm*—James J. Salerno, Jr.; Robert G. Crooks; John P. Sinnott

### [57] CLAIM

The ornamental design of a soaking bathtub, as shown and described.

### DESCRIPTION

FIG. 1 is a top plan view of a soaking bathtub embodying my new design;  
 FIG. 2 is a left side elevational view thereof;  
 FIG. 3 is a right side elevational view thereof;  
 FIG. 4 is a front elevational view thereof;  
 FIG. 5 is a rear elevational view thereof;  
 FIG. 6 is a bottom plan view thereof;  
 FIG. 7 is a cross sectional view taken on line 7—7 of FIG. 1; and  
 FIG. 8 is a cross sectional view taken on line 8—8 of FIG. 1.

[56] **References Cited**  
**U.S. PATENT DOCUMENTS**

D. 227,101	6/1973	Primault .....	D23/281
D. 230,021	1/1974	Primault .....	D23/277
D. 230,851	3/1974	Chisholm .....	D23/277
D. 244,855	6/1977	Doman .....	D23/281
D. 253,008	9/1979	Guigups .....	D23/281
D. 265,582	7/1982	Kohler, Jr. ....	D23/281
D. 277,128	1/1985	Daniels .....	D23/281
D. 278,842	5/1985	Stairs, Jr. ....	D23/55

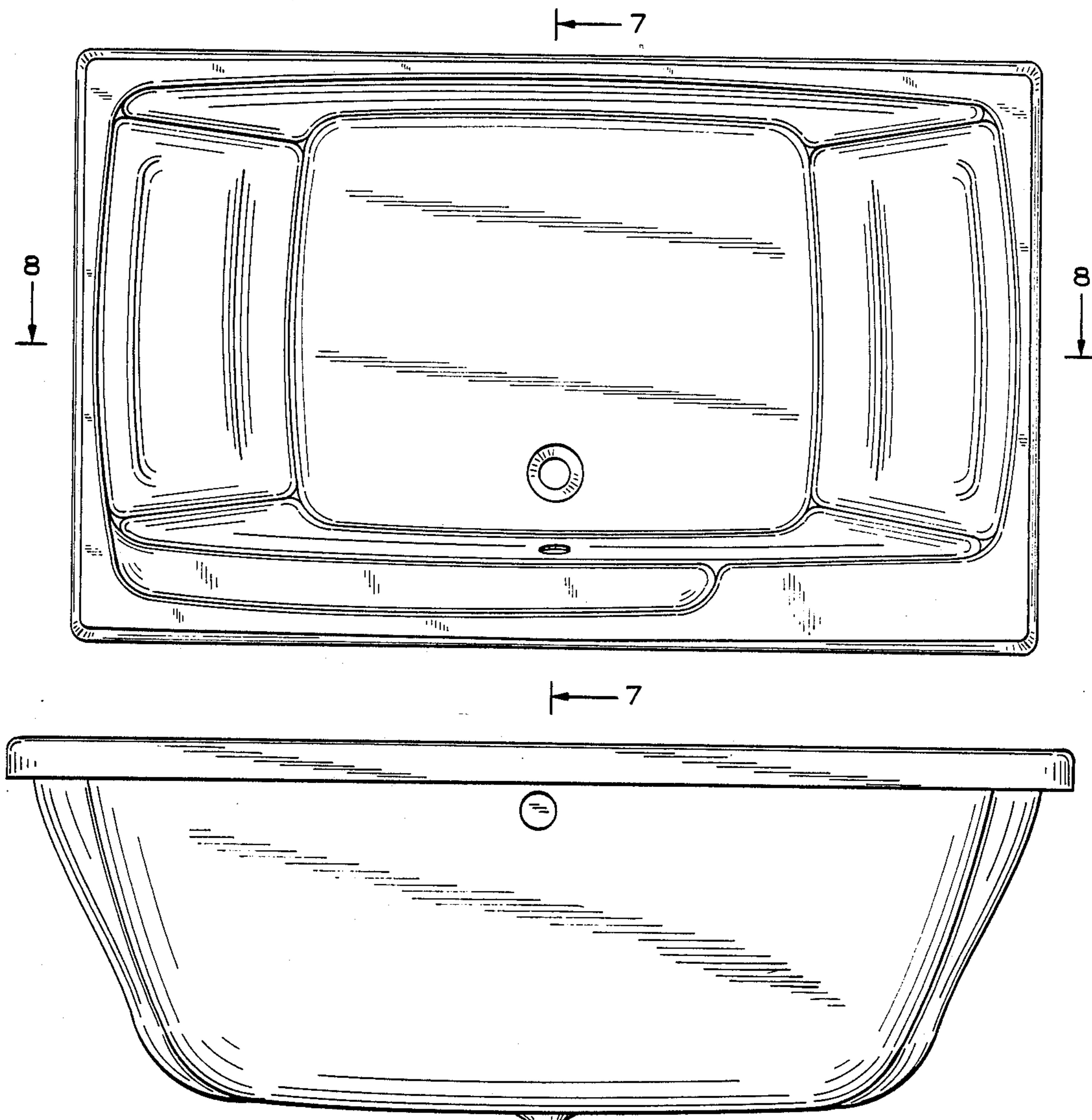


FIG. 1

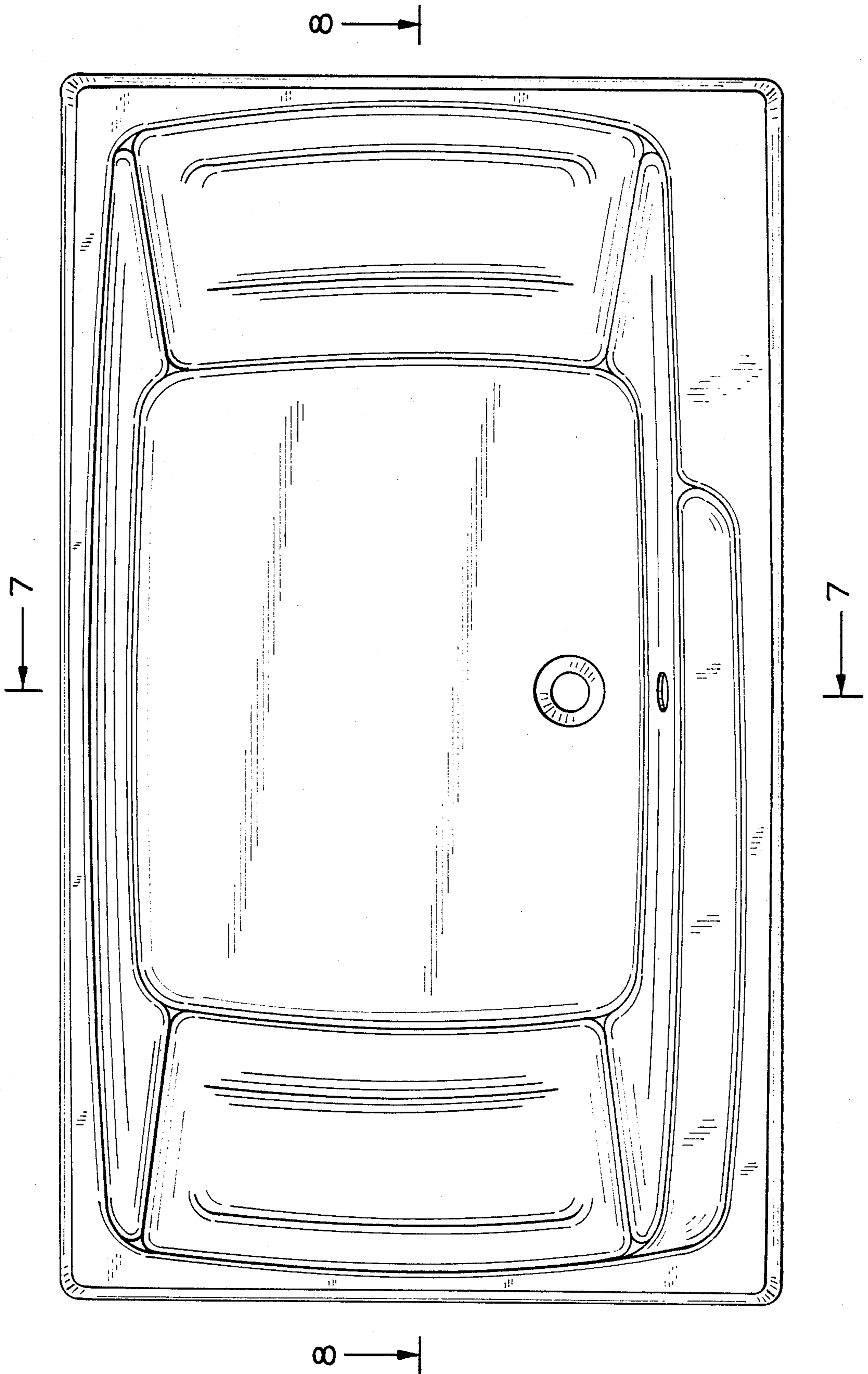


FIG. 2

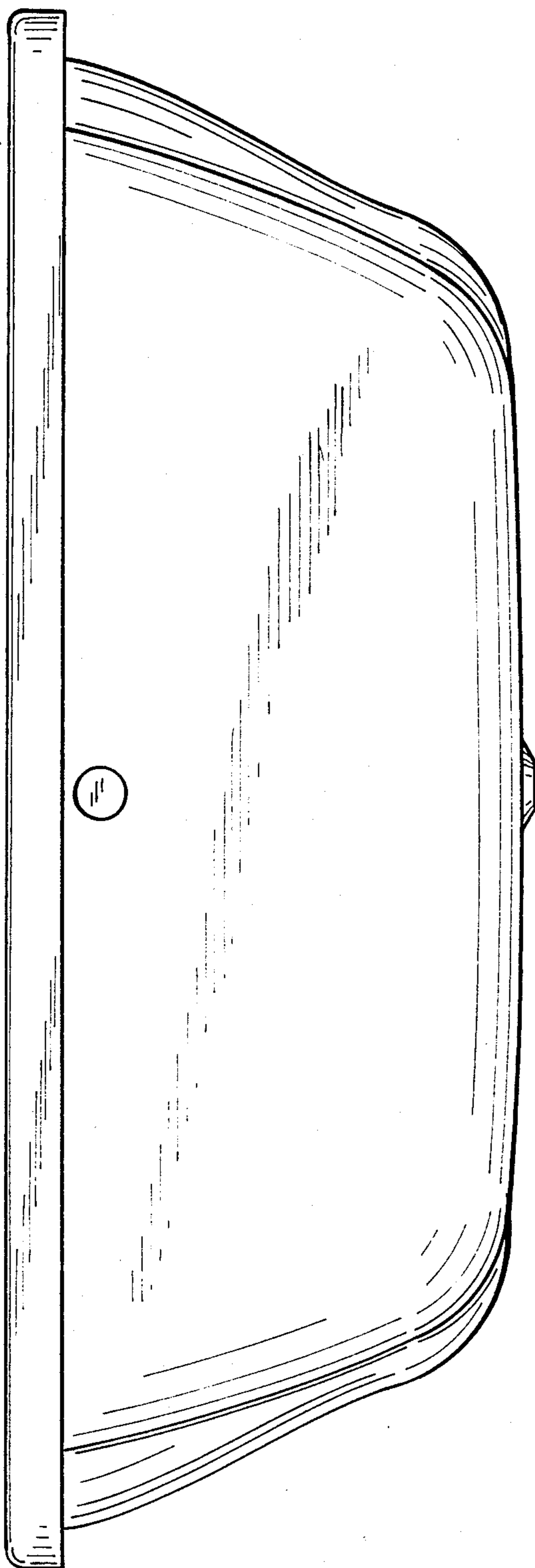


FIG. 3

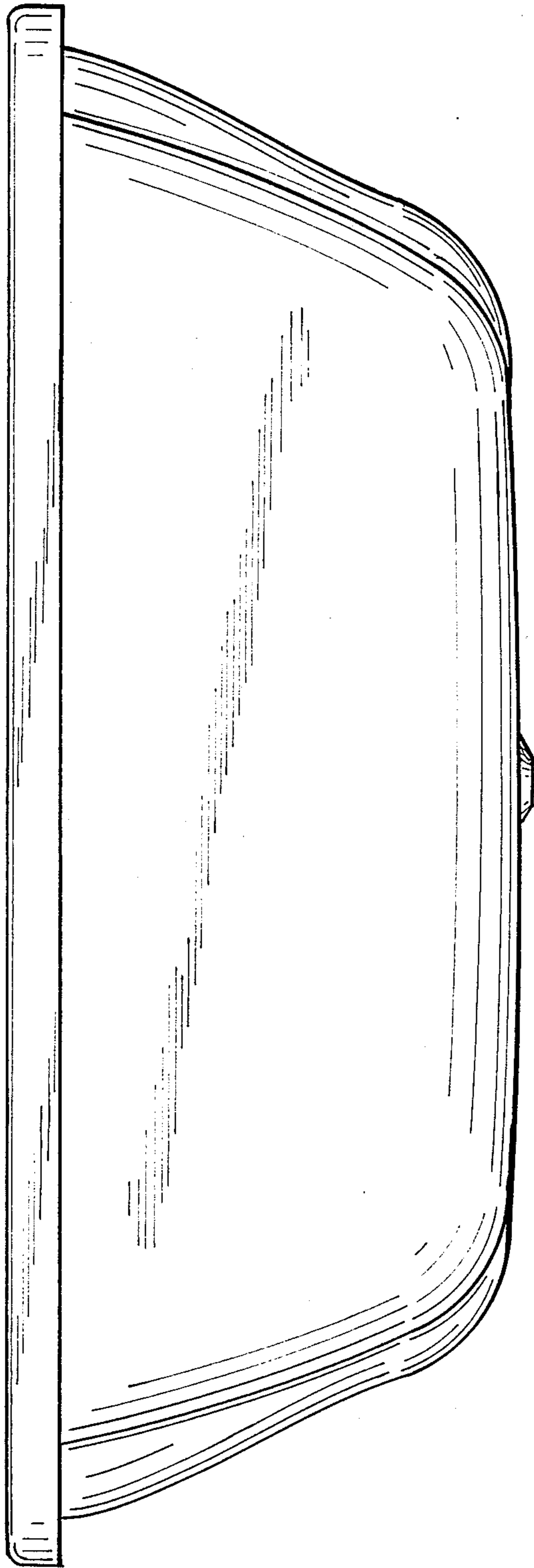


FIG. 4

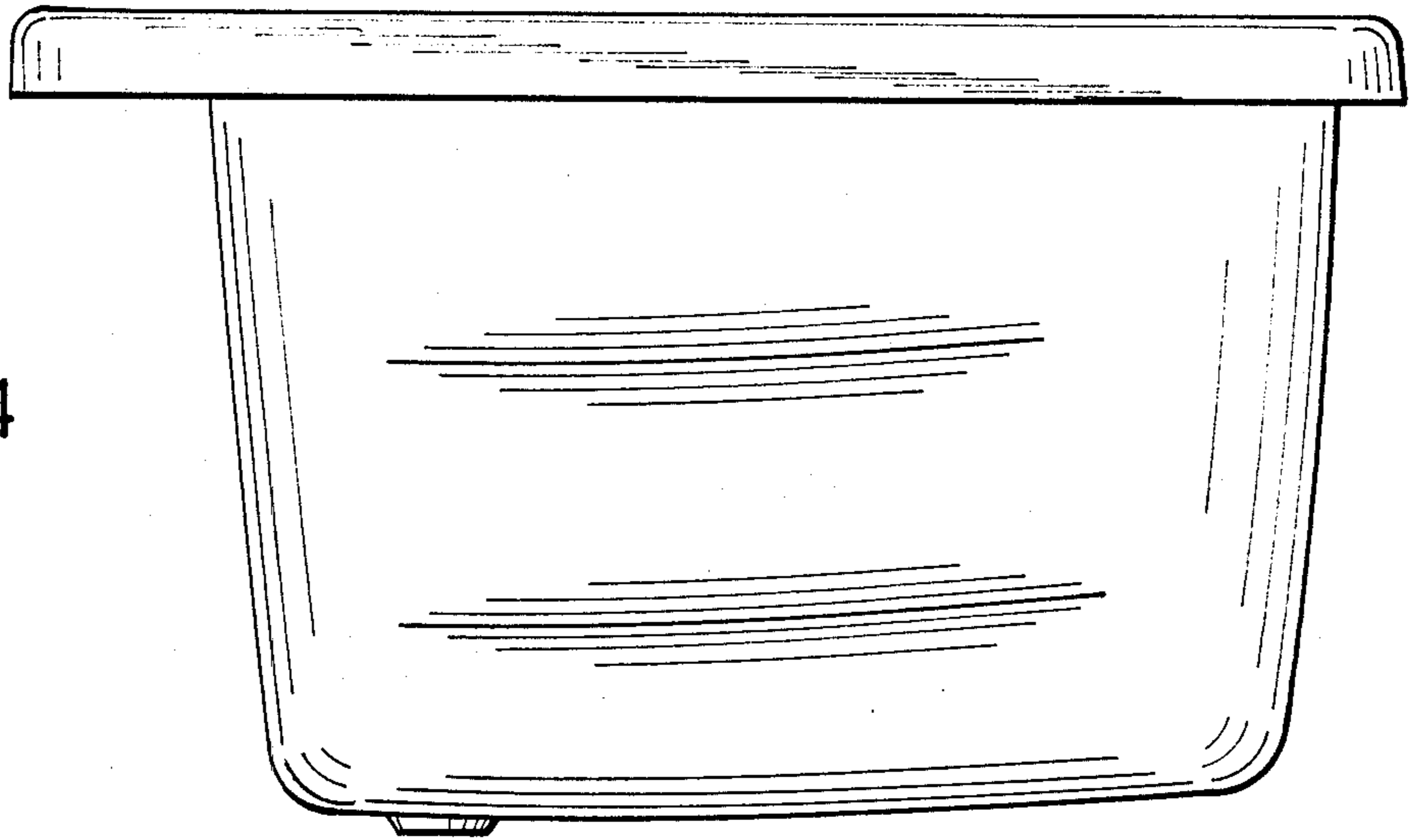


FIG. 7

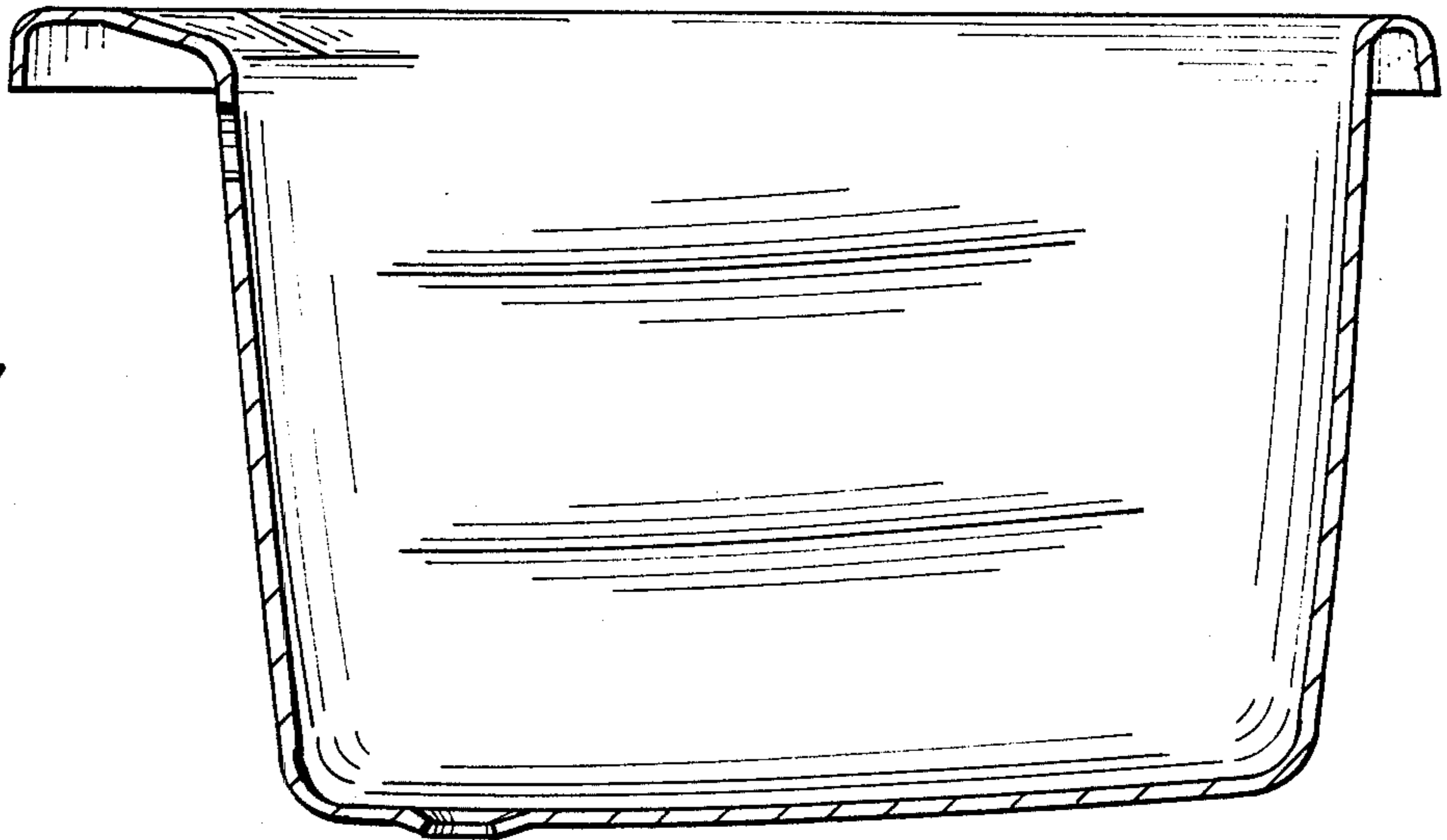
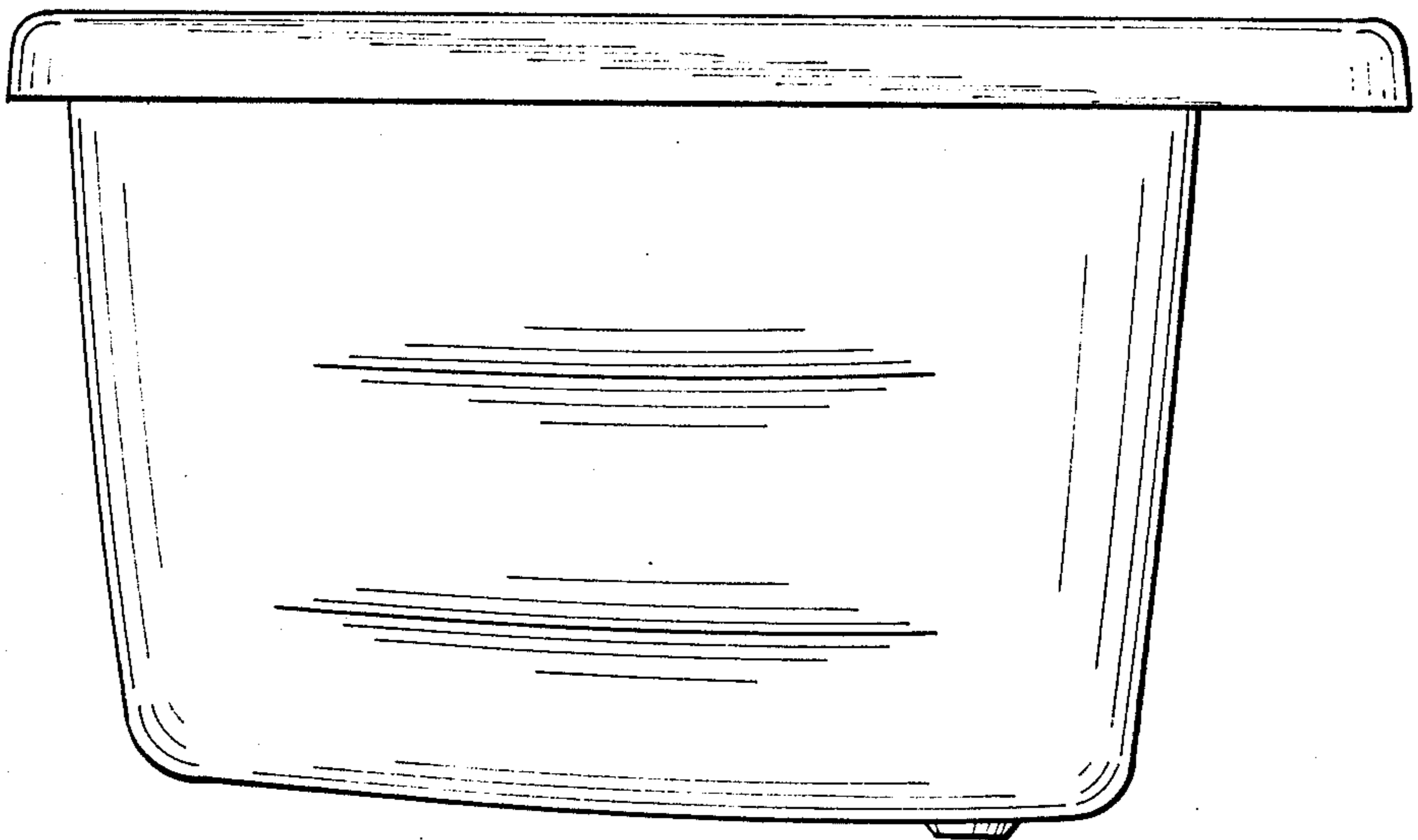


FIG. 5



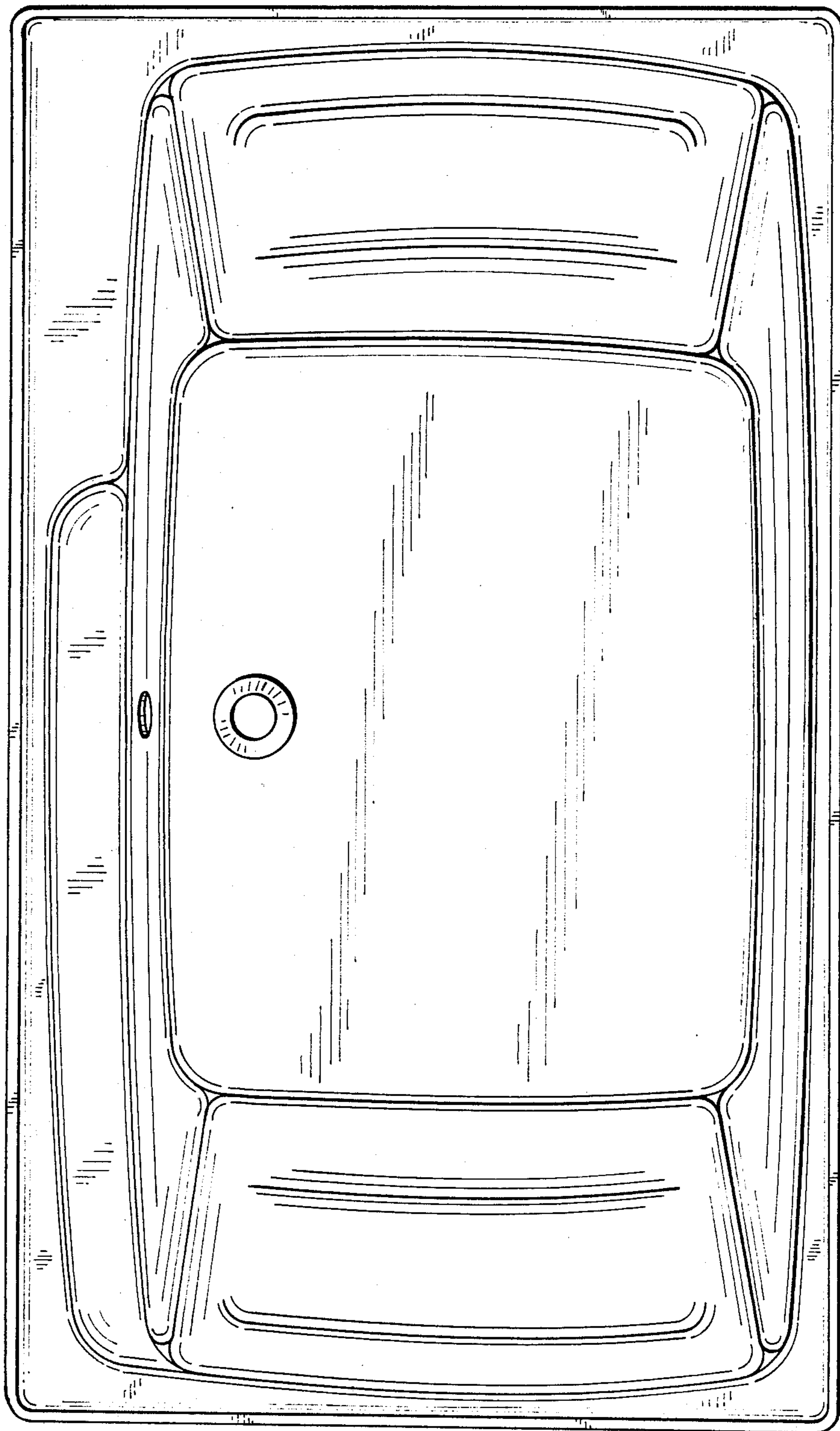


FIG. 6

FIG. 8

