

United States Patent [19]
Hiraishi et al.

[11] **Patent Number: Des. 300,844**

[45] **Date of Patent: ** Apr. 25, 1989**

[54] **FISHING REEL**

[75] **Inventors: Etsuo Hiraishi; Teruhisa Numata,**
both of Tokyo, Japan

[73] **Assignee: Ryobi Ltd., Hiroshima, Japan**

[**] **Term: 14 Years**

[21] **Appl. No.: 64,270**

[22] **Filed: Jun. 19, 1987**

[30] **Foreign Application Priority Data**

Dec. 19, 1986 [JP] Japan 61-50394

[52] **U.S. Cl. D22/141**

[58] **Field of Search D22/141; 242/84.1 R,**
242/84.2 R

[56] **References Cited**

U.S. PATENT DOCUMENTS

D. 253,838 1/1980 Sakamoto et al. D22/141

D. 257,170 9/1980 Sakamoto et al. D22/141

D. 260,804 9/1981 Sakamoto et al. D22/141
4,369,930 1/1983 Noda 242/84.1 J

Primary Examiner—A. Hugo Word
Attorney, Agent, or Firm—Sughrue, Mion, Zinn,
Macpeak, and Seas

[57] **CLAIM**

The ornamental design for a fishing reel, as shown.

DESCRIPTION

FIG. 1 is a front, top and left side perspective view of a fishing reel showing our new design, with the reel in open bail position;

FIG. 2 is a right side elevational view thereof, with the reel in closed bail position;

FIG. 3 is a left side elevational view thereof;

FIG. 4 is a top plan view thereof;

FIG. 5 is a bottom plan view thereof;

FIG. 6 is a front elevational view thereof;

FIG. 7 is a rear elevational view thereof; and

FIG. 8 is a left side elevational view thereof, with the reel in open bail position.

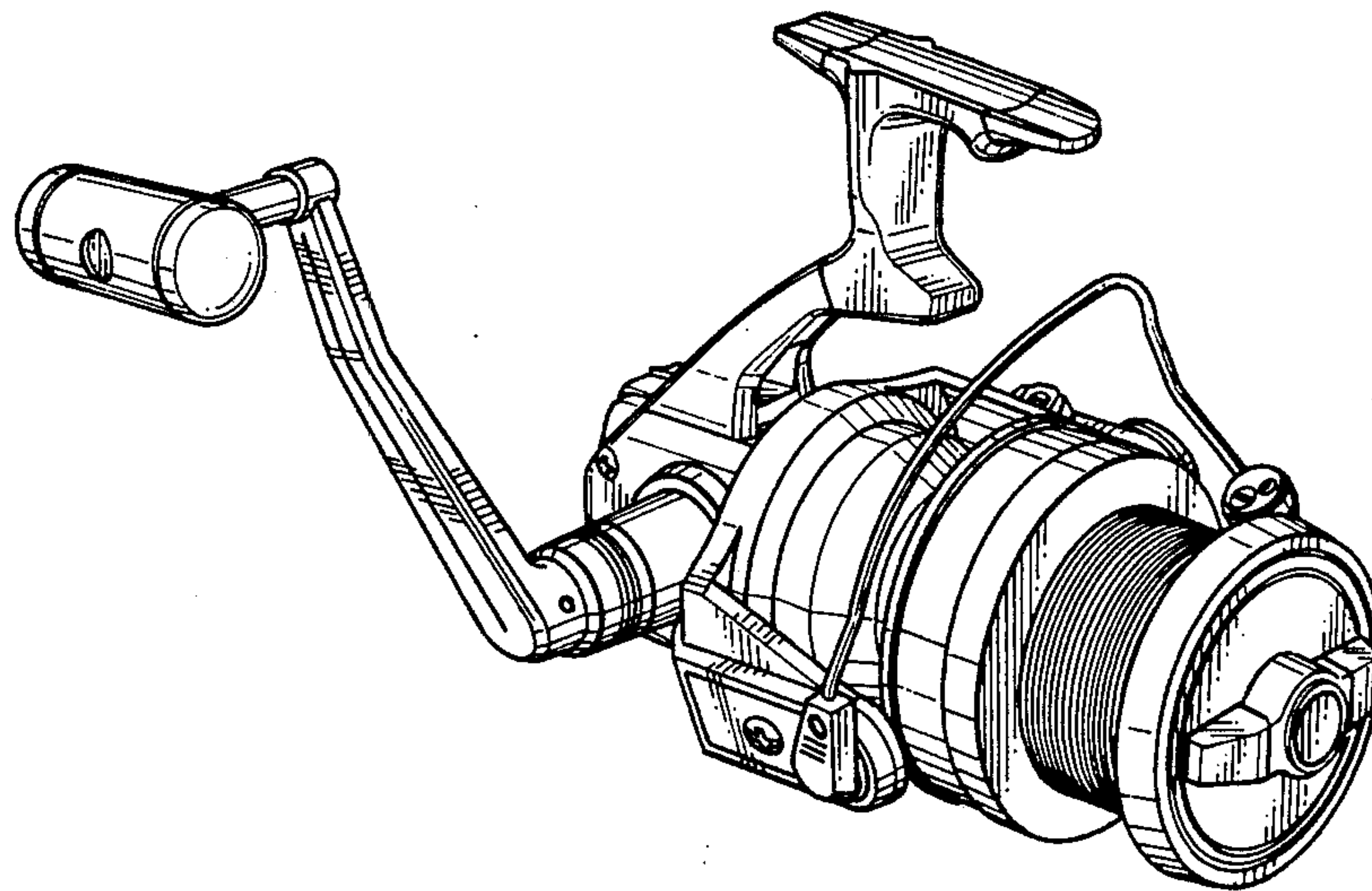


Fig. 1

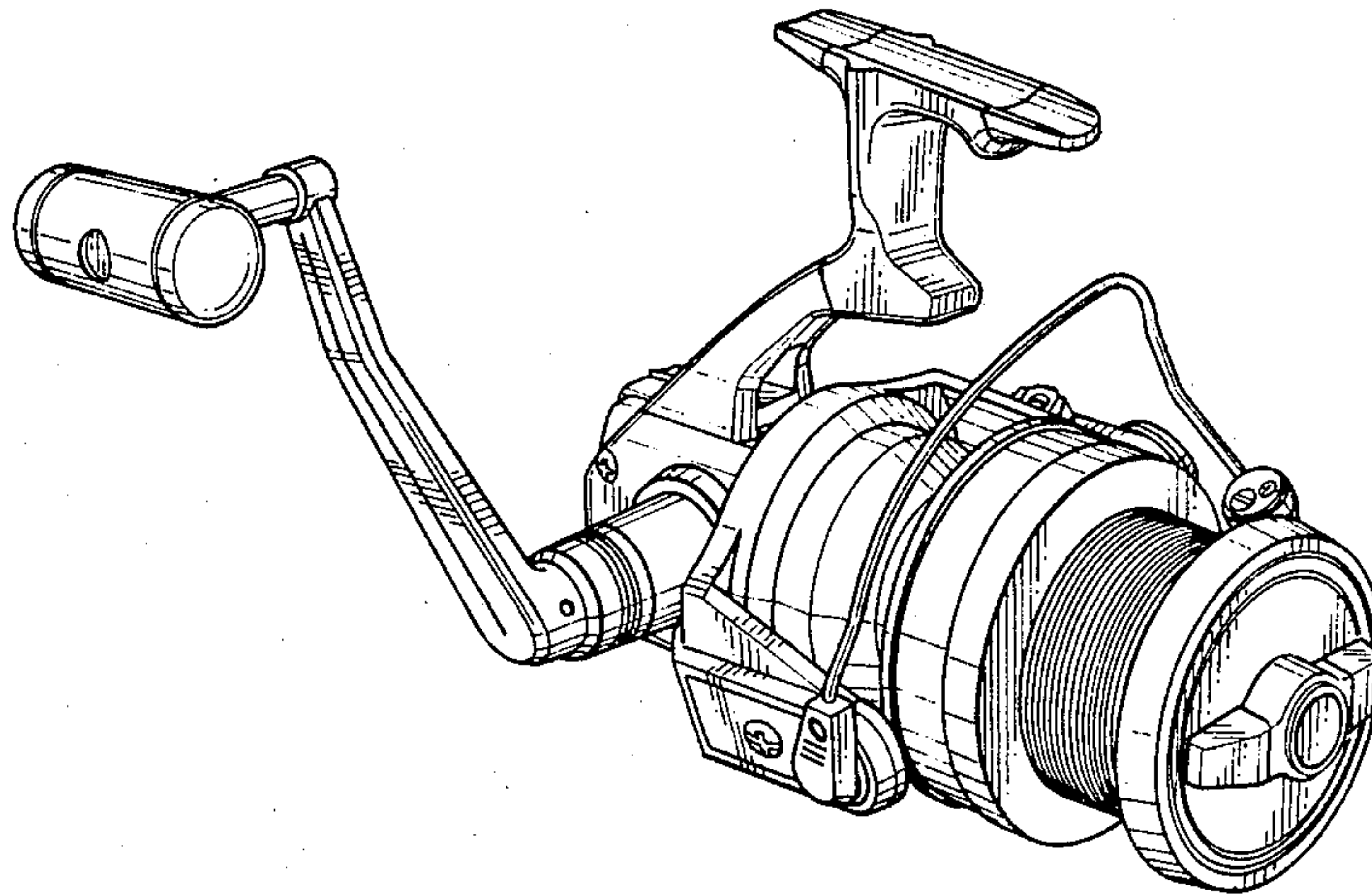


Fig. 2

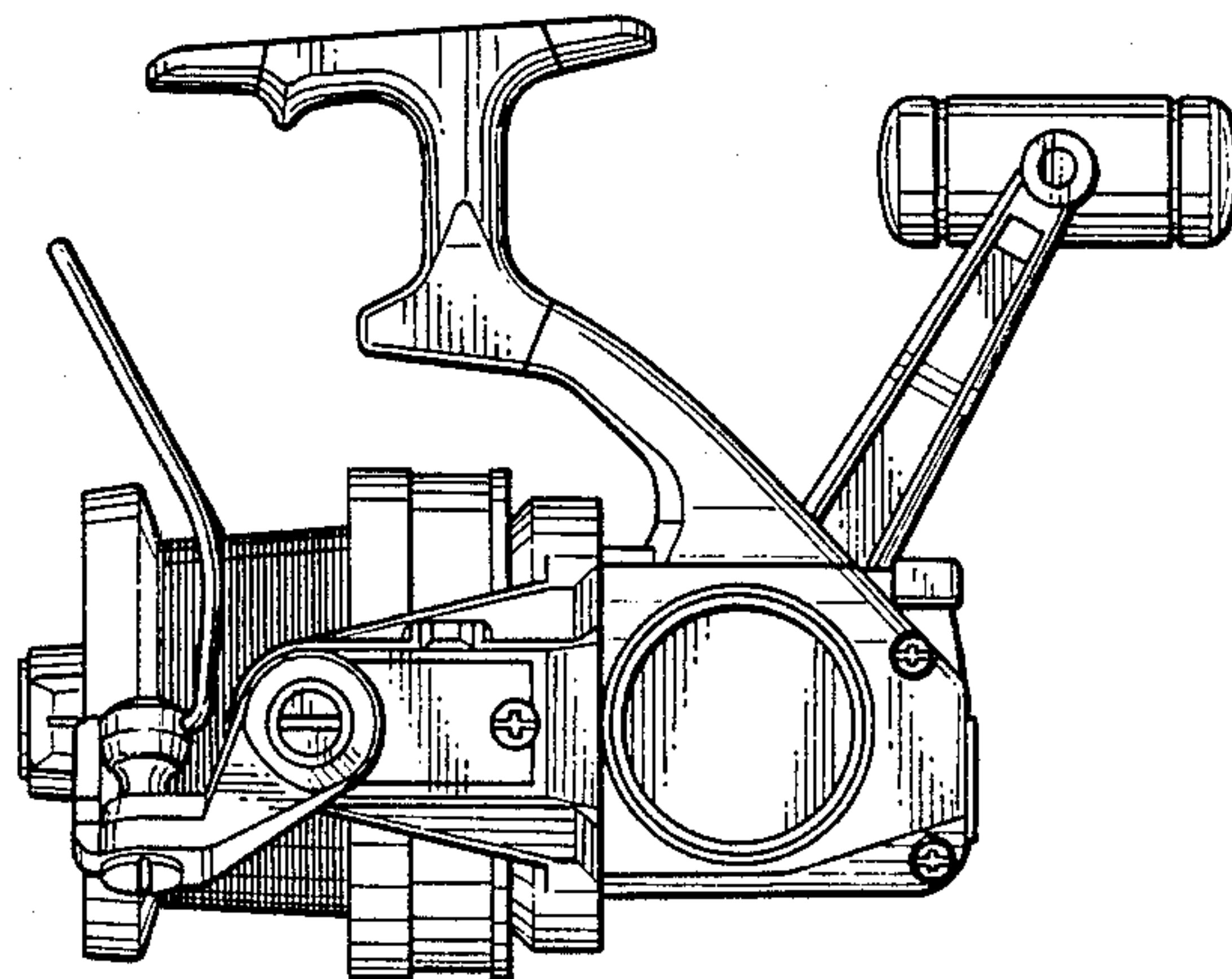


Fig. 3

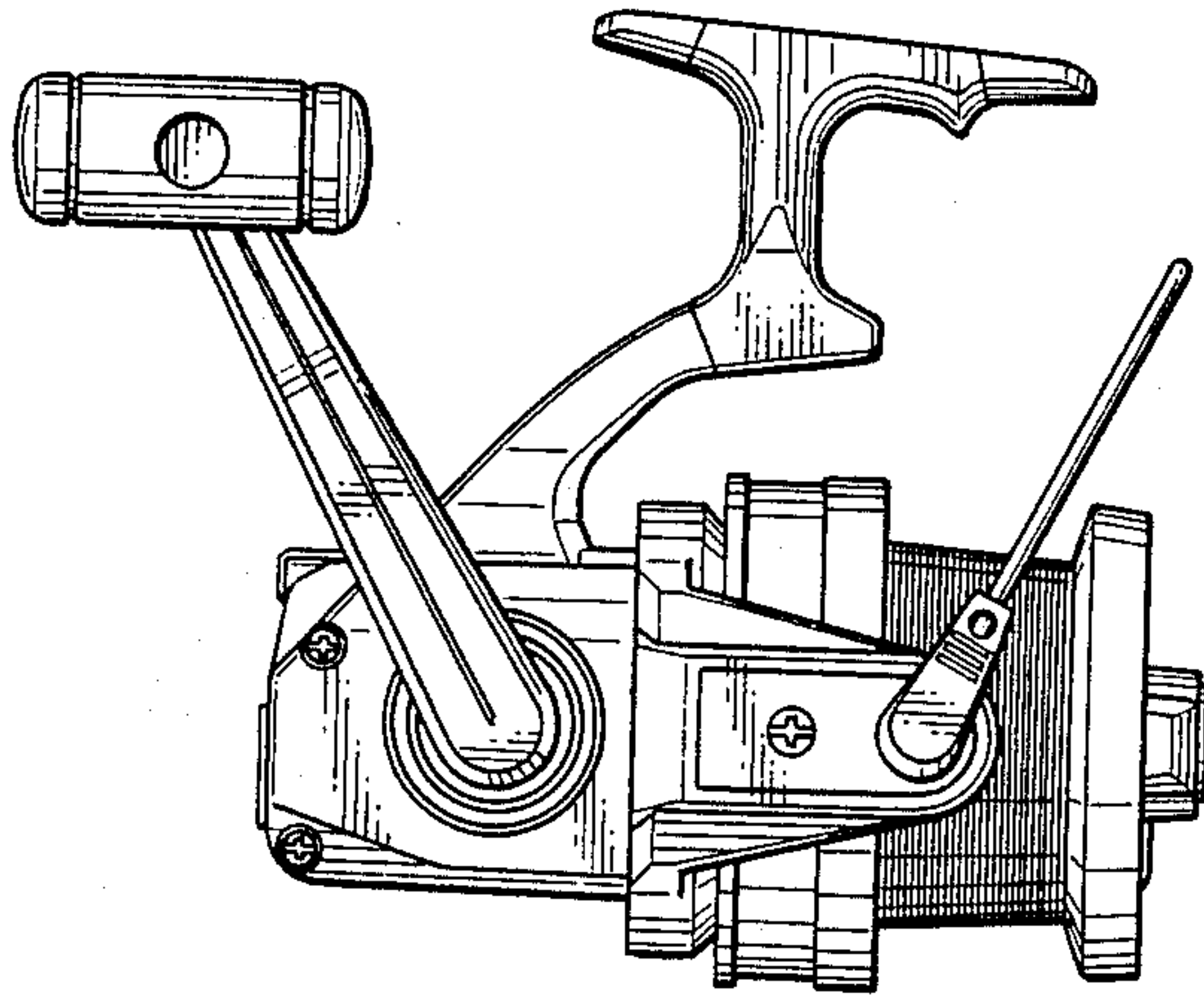


Fig. 4

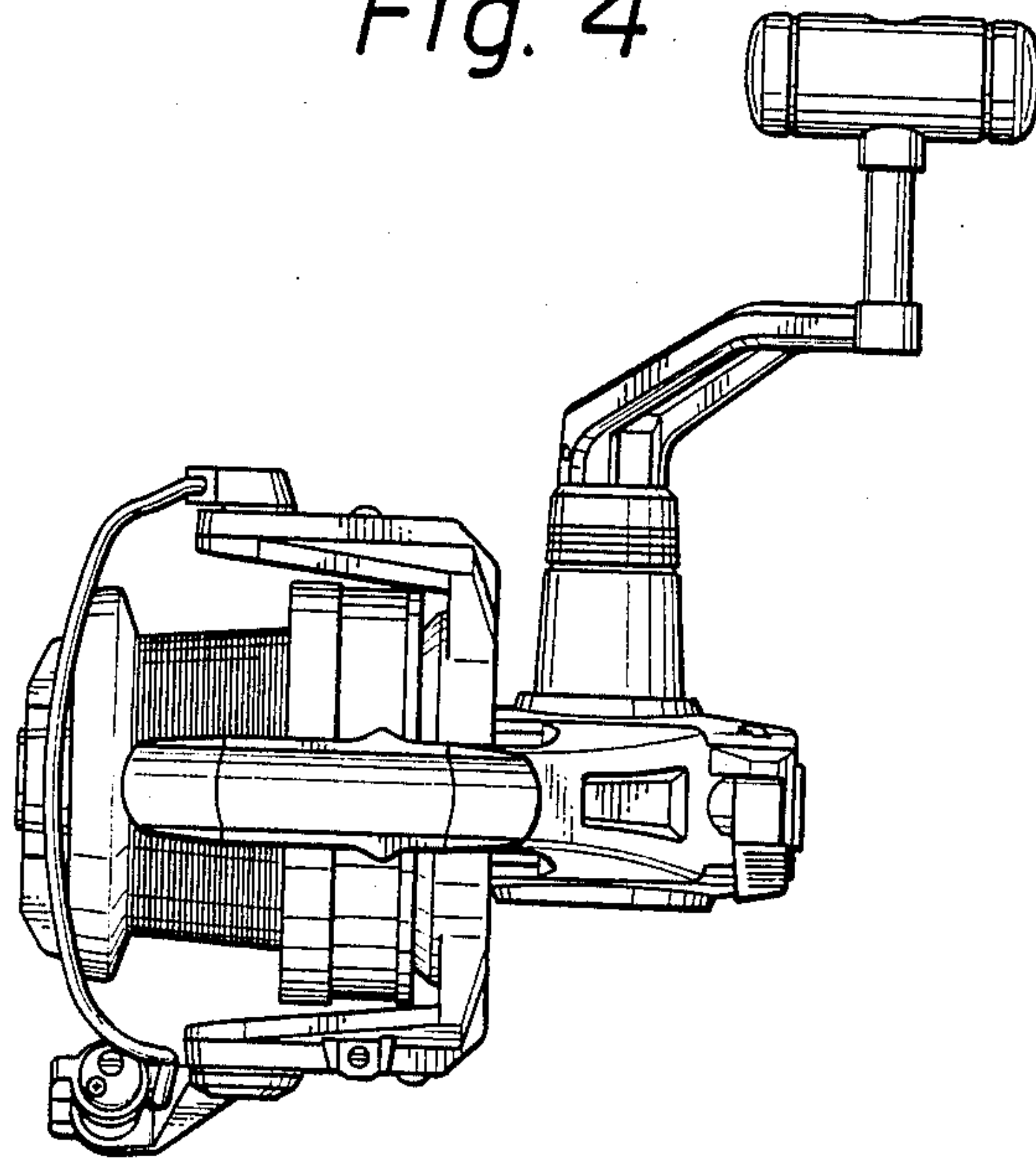


Fig. 5

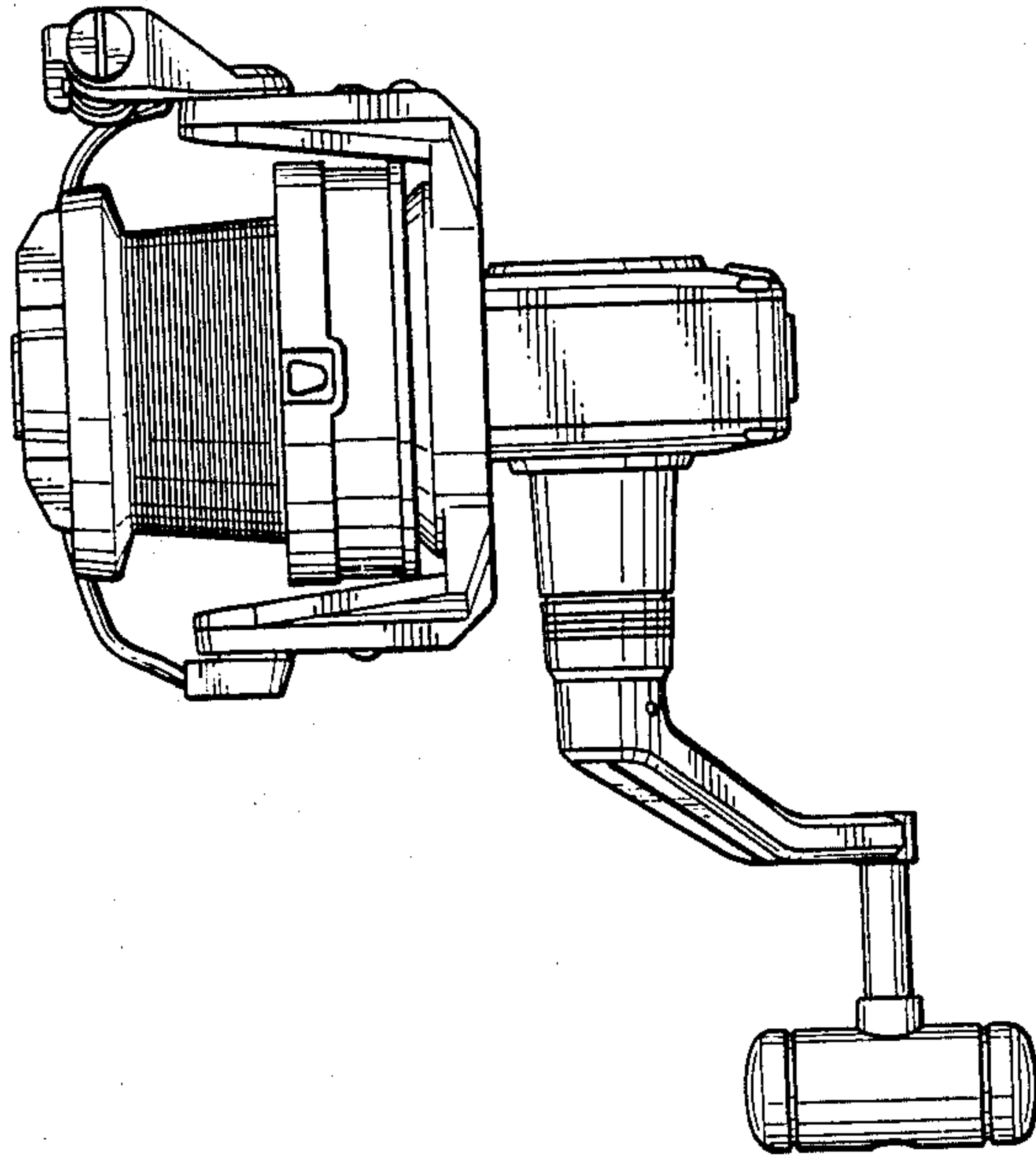


Fig. 6

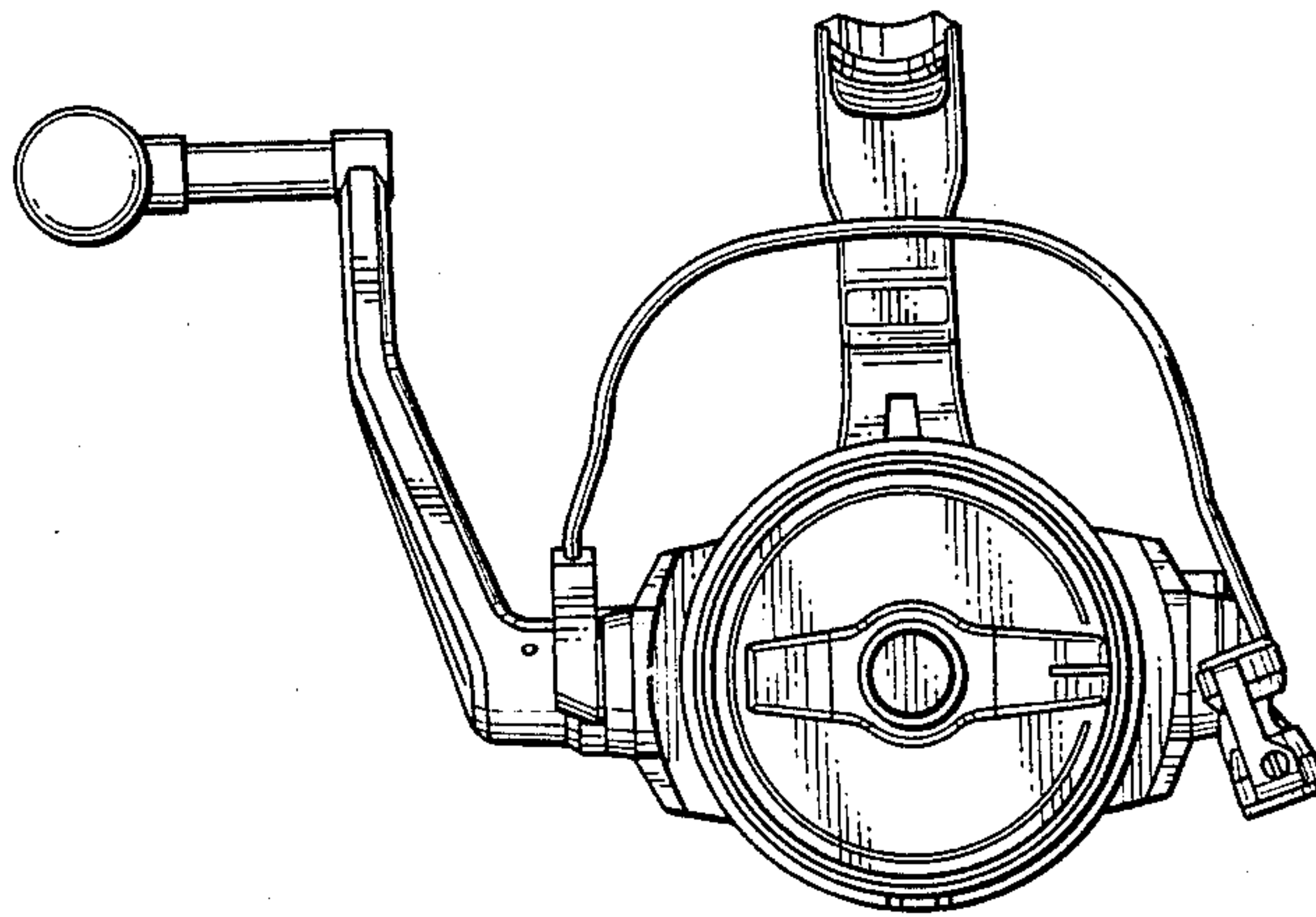


Fig. 7

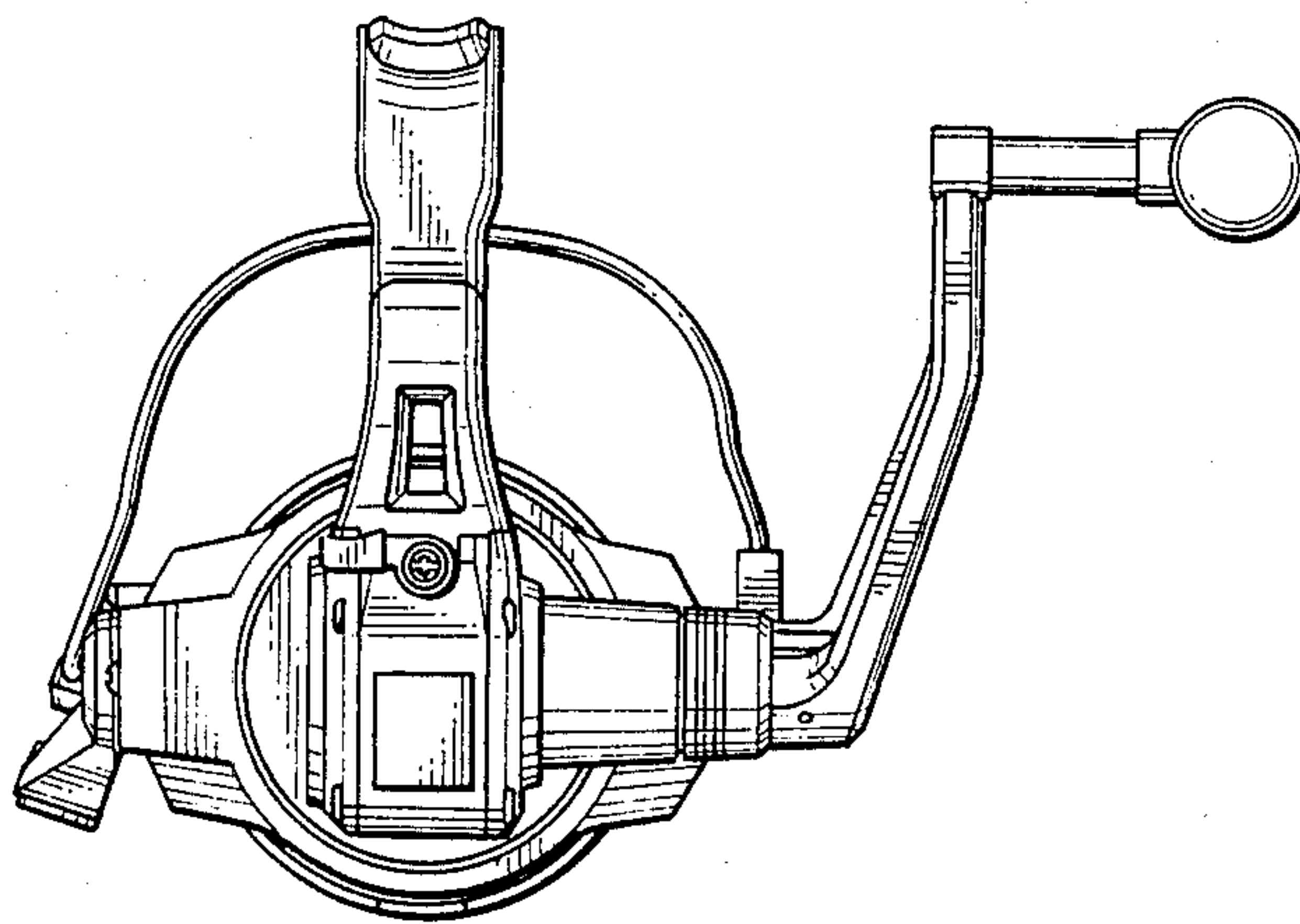


Fig. 8

