

United States Patent [19]

Doi et al.

[11] Patent Number: Des. 300,843

[45] Date of Patent: ** Apr. 25, 1989

[54] FISHING REEL

[75] Inventors: Tetsuyuki Doi, Hiroshima; Etsuo Hiraishi, Tokyo, both of Japan

[73] Assignee: Ryobi Ltd., Hiroshima, Japan

[**] Term: 14 Years

[21] Appl. No.: 59,671

[22] Filed: Jun. 5, 1987

[30] Foreign Application Priority Data

Dec. 19, 1986 [JP] Japan 61-50397

[52] U.S. Cl. D22/140

[58] Field of Search D22/140; 242/84.1 R,
242/84.2 R, 84.2 J

[56] References Cited

U.S. PATENT DOCUMENTS

D. 255,702 7/1980 Iinuma D22/140

D. 258,904 4/1981 Myojo D22/140

D. 275,781 10/1984 Myojo D22/140

Primary Examiner—A. Hugo Word
Attorney, Agent, or Firm—Sughrue, Mion, Zinn,
Macpeak, and Seas

[57] CLAIM

The ornamental design for a fishing reel, as shown.

DESCRIPTION

FIG. 1 is a front, top and left side perspective view of a fishing reel showing our new design;

FIG. 2 is a right side elevational view thereof;

FIG. 3 is a left side elevational view thereof;

FIG. 4 is a top plan view thereof;

FIG. 5 is a bottom plan view thereof;

FIG. 6 is a front elevational view thereof; and

FIG. 7 is a rear elevational view thereof.

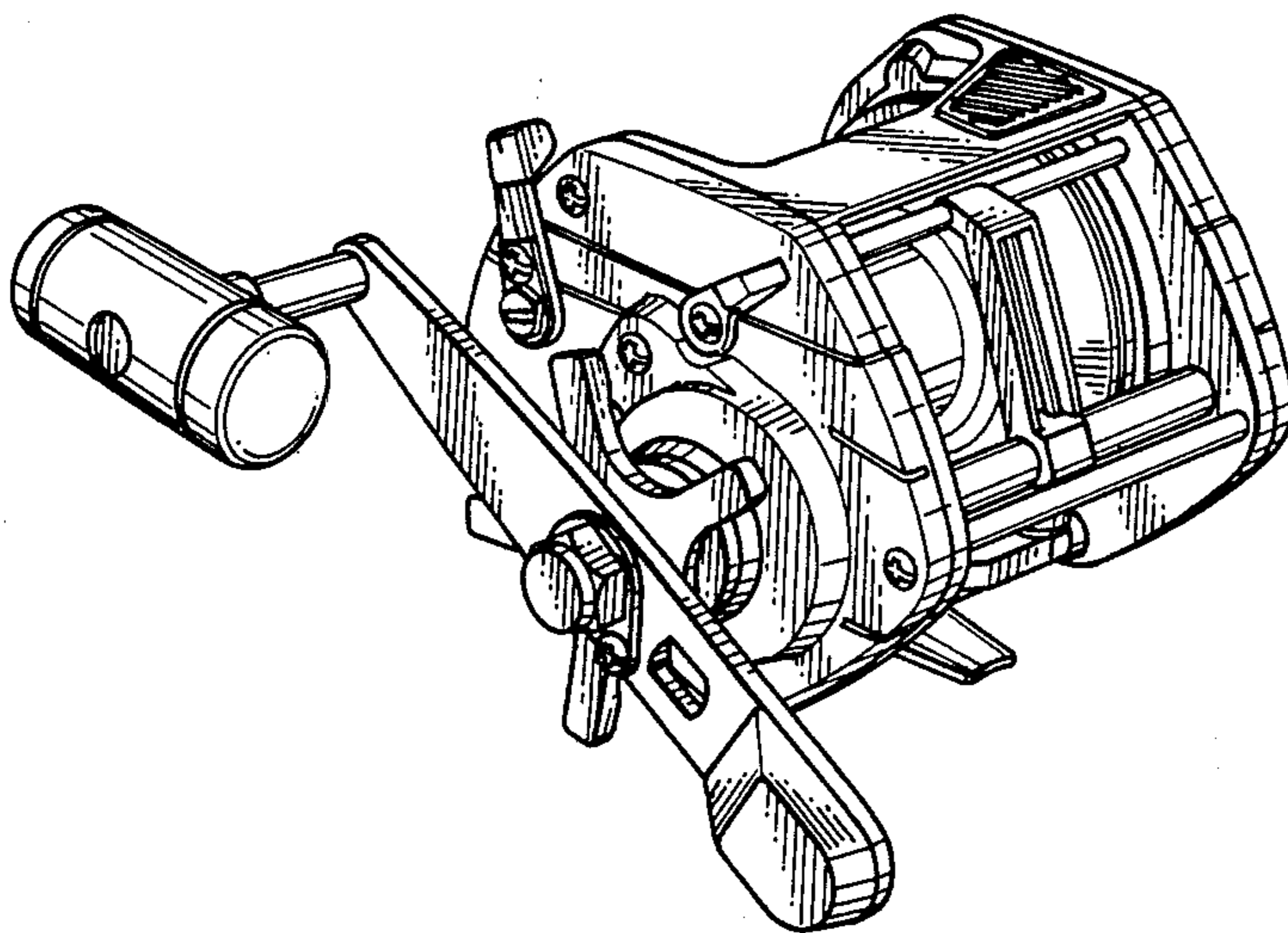


Fig. 1

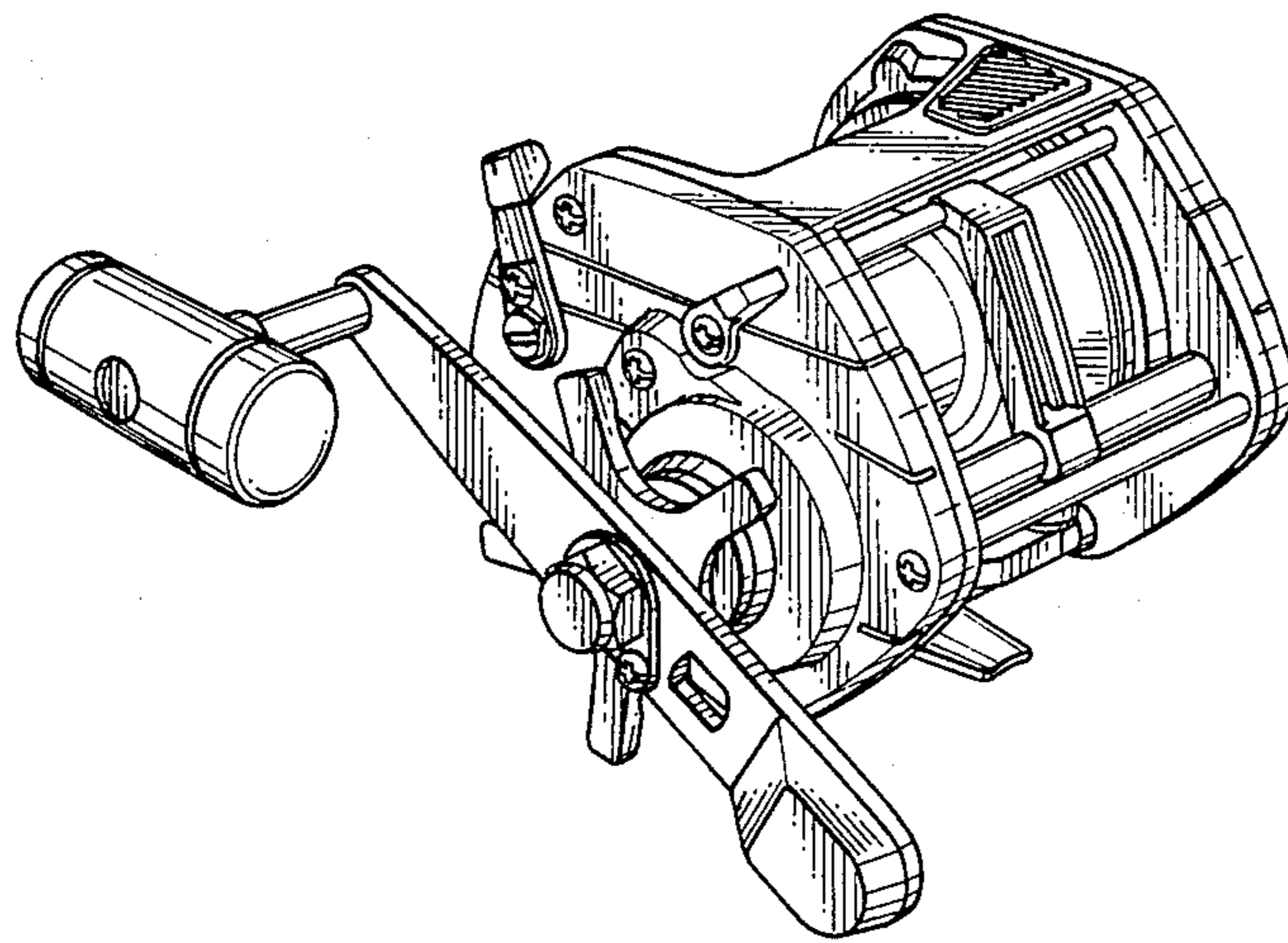


Fig. 2

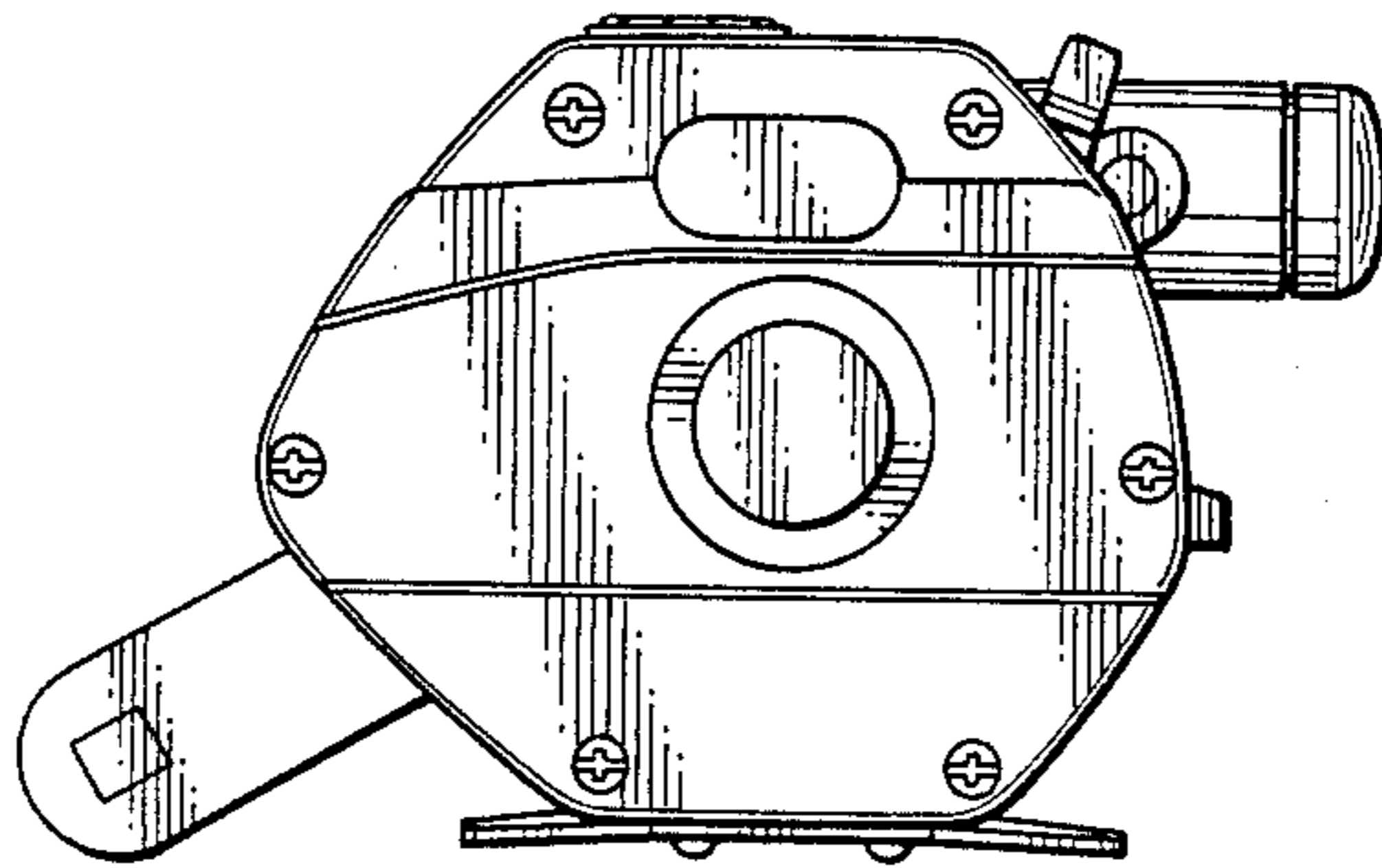


Fig. 3

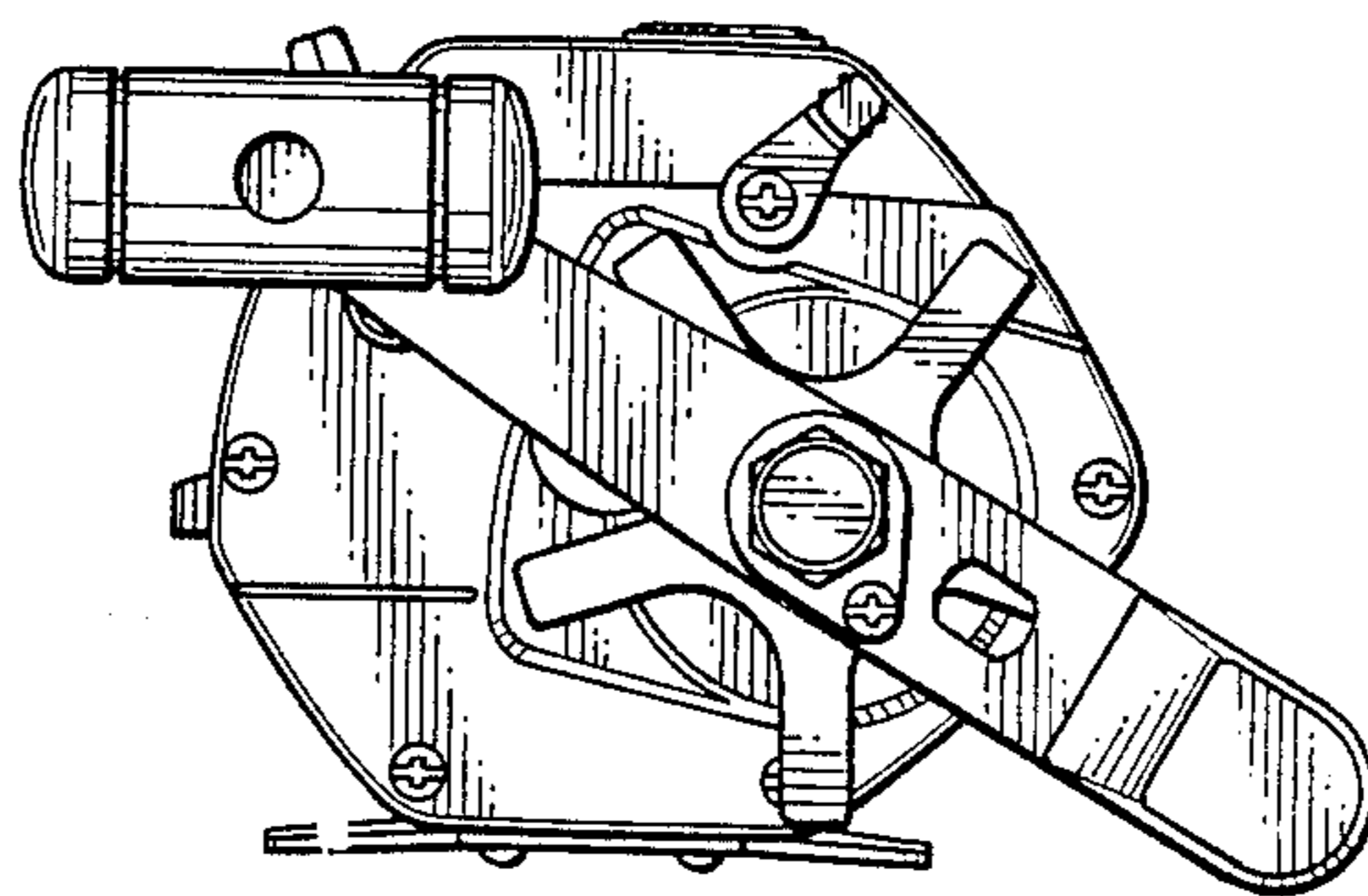


Fig. 4

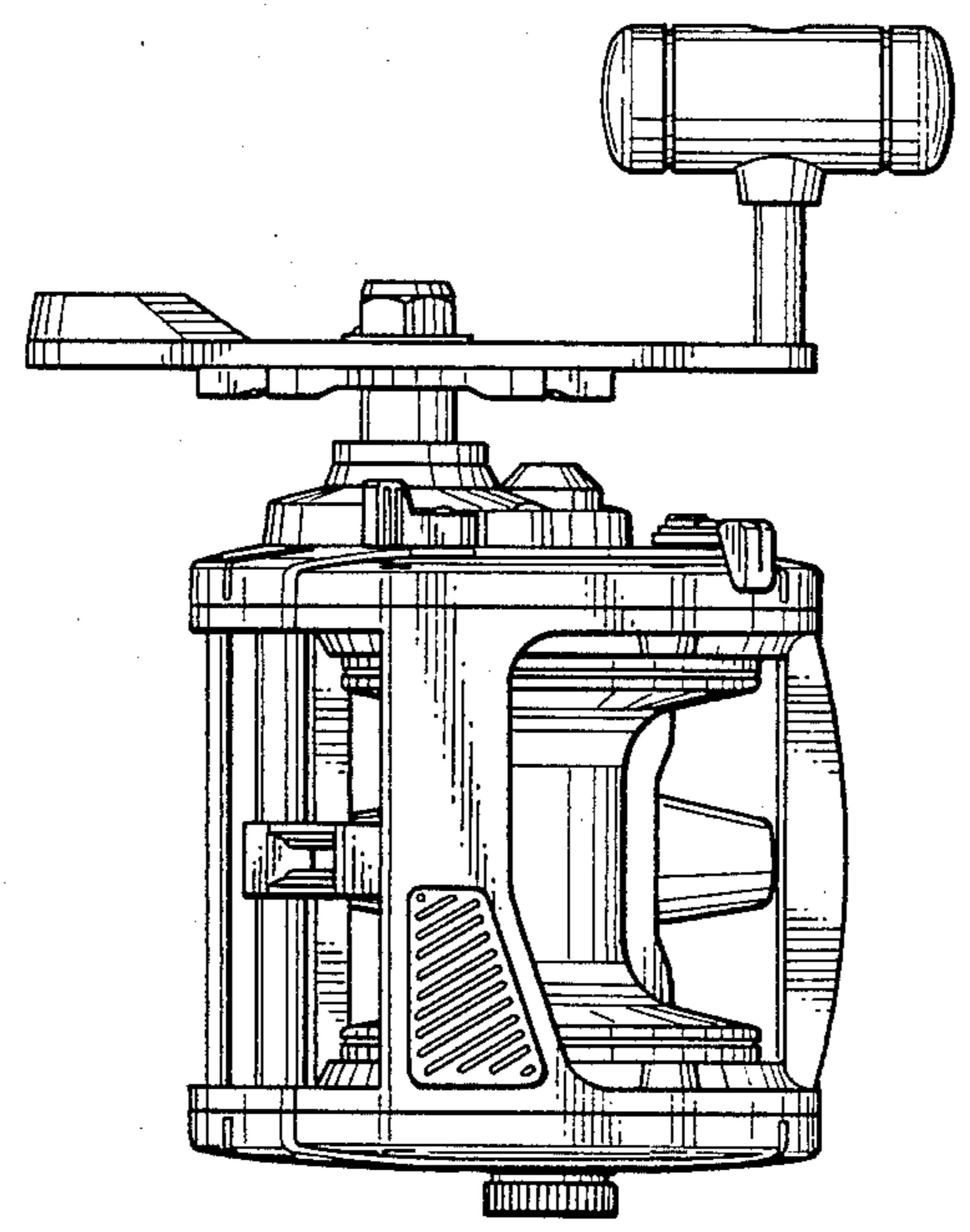


Fig. 5

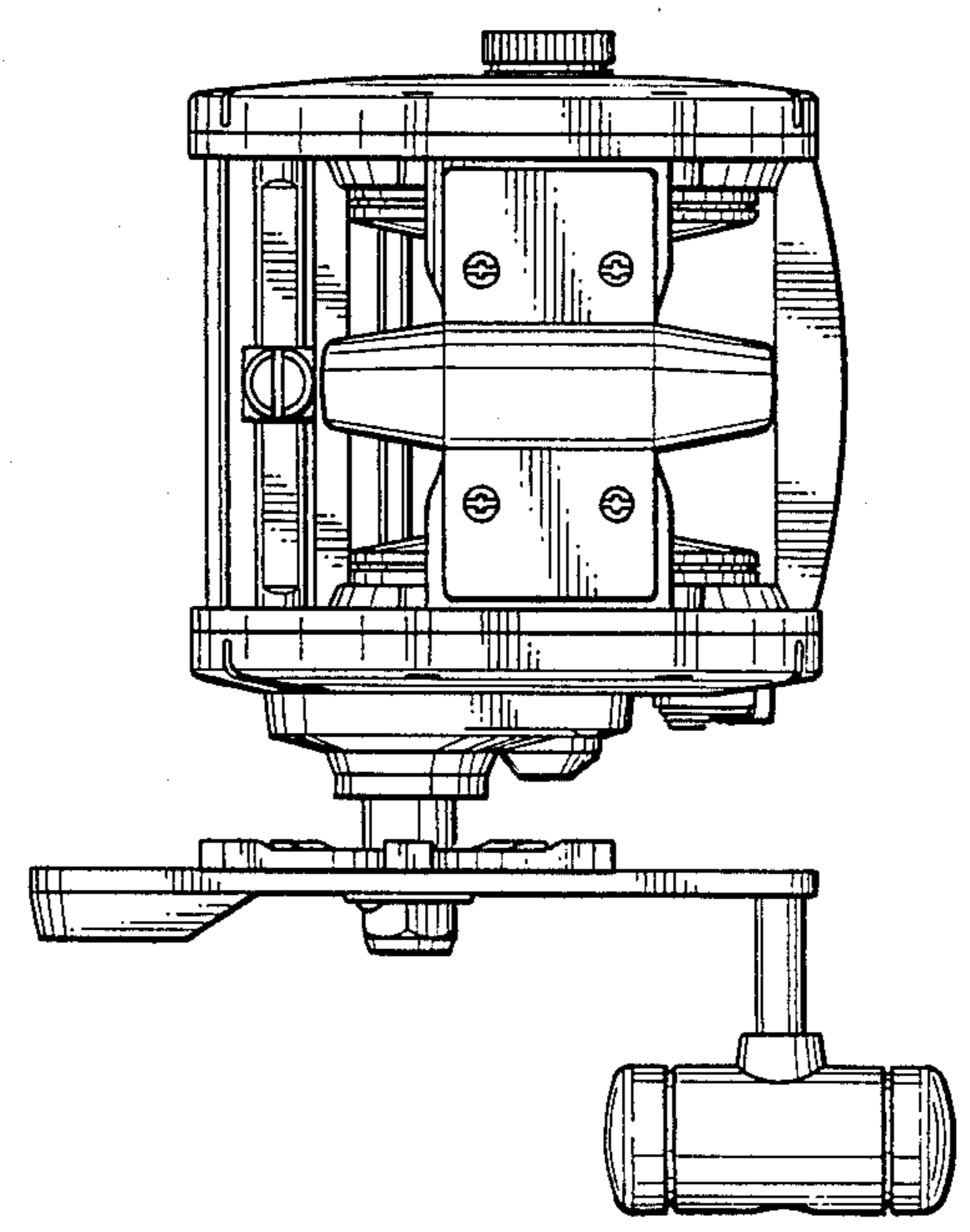


Fig. 6

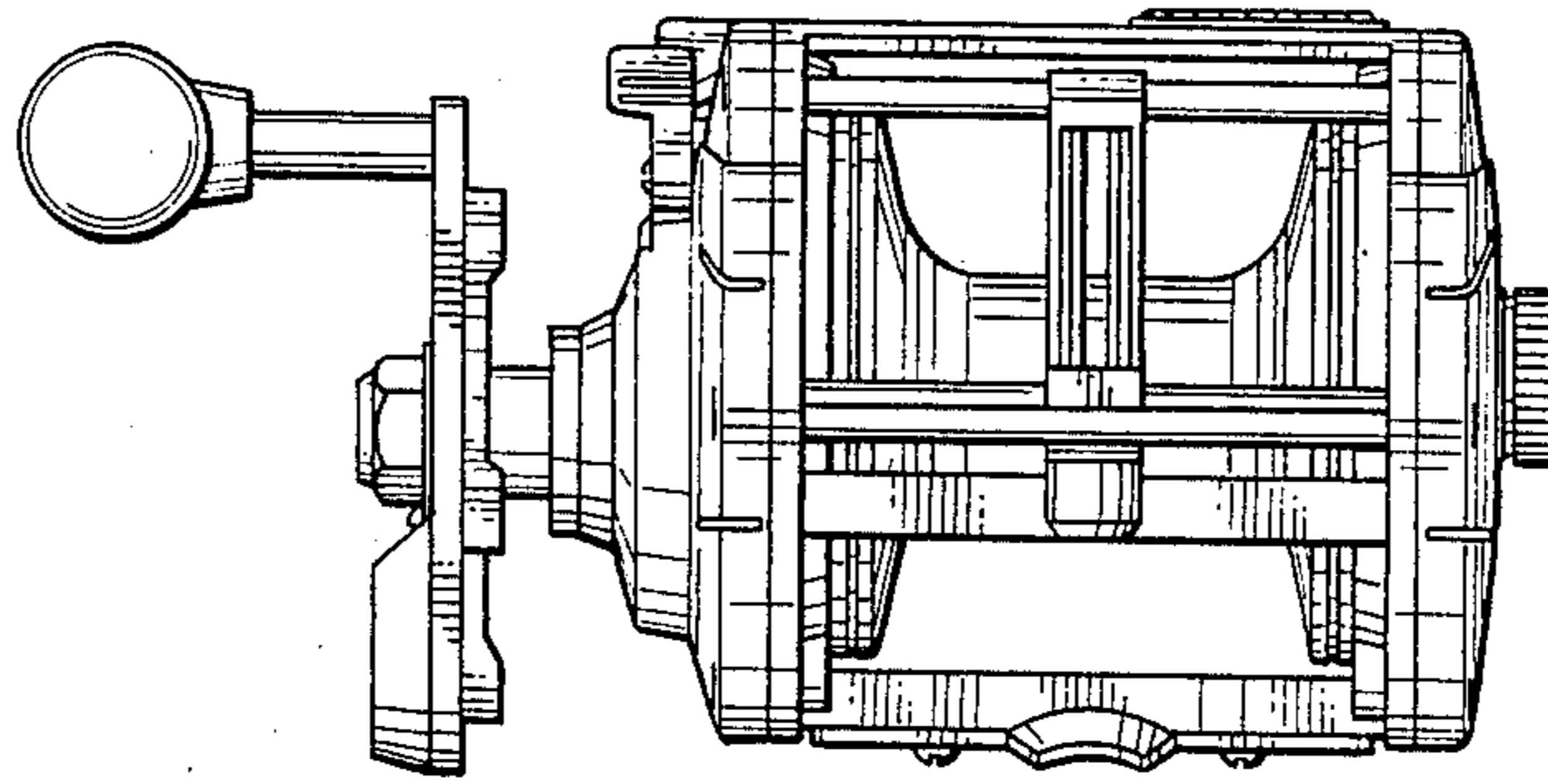


Fig. 7

