

# United States Patent [19]

Doi et al.

[11] Patent Number: **Des. 300,842**

[45] Date of Patent: **\*\* Apr. 25, 1989**

[54] **FISHING REEL**

[75] Inventors: **Tetsuyuki Doi; Masaharu Nouma,**  
both of Hiroshima, Japan

[73] Assignee: **Ryobi Ltd., Hiroshima, Japan**

[\*\*] Term: **14 Years**

[21] Appl. No.: **19,715**

[22] Filed: **Feb. 27, 1987**

[30] **Foreign Application Priority Data**

Sep. 4, 1986 [JP] Japan ..... 61-35056  
[52] U.S. Cl. .... **D22/140**  
[58] Field of Search ..... D22/140; 242/84.1 R,  
242/84.2 R, 84.20

[56] **References Cited**

**U.S. PATENT DOCUMENTS**

D. 255,702 7/1980 Iinuma ..... D22/140  
D. 258,904 4/1981 Myojo ..... D22/140  
D. 275,781 10/1984 Myojo ..... D22/140

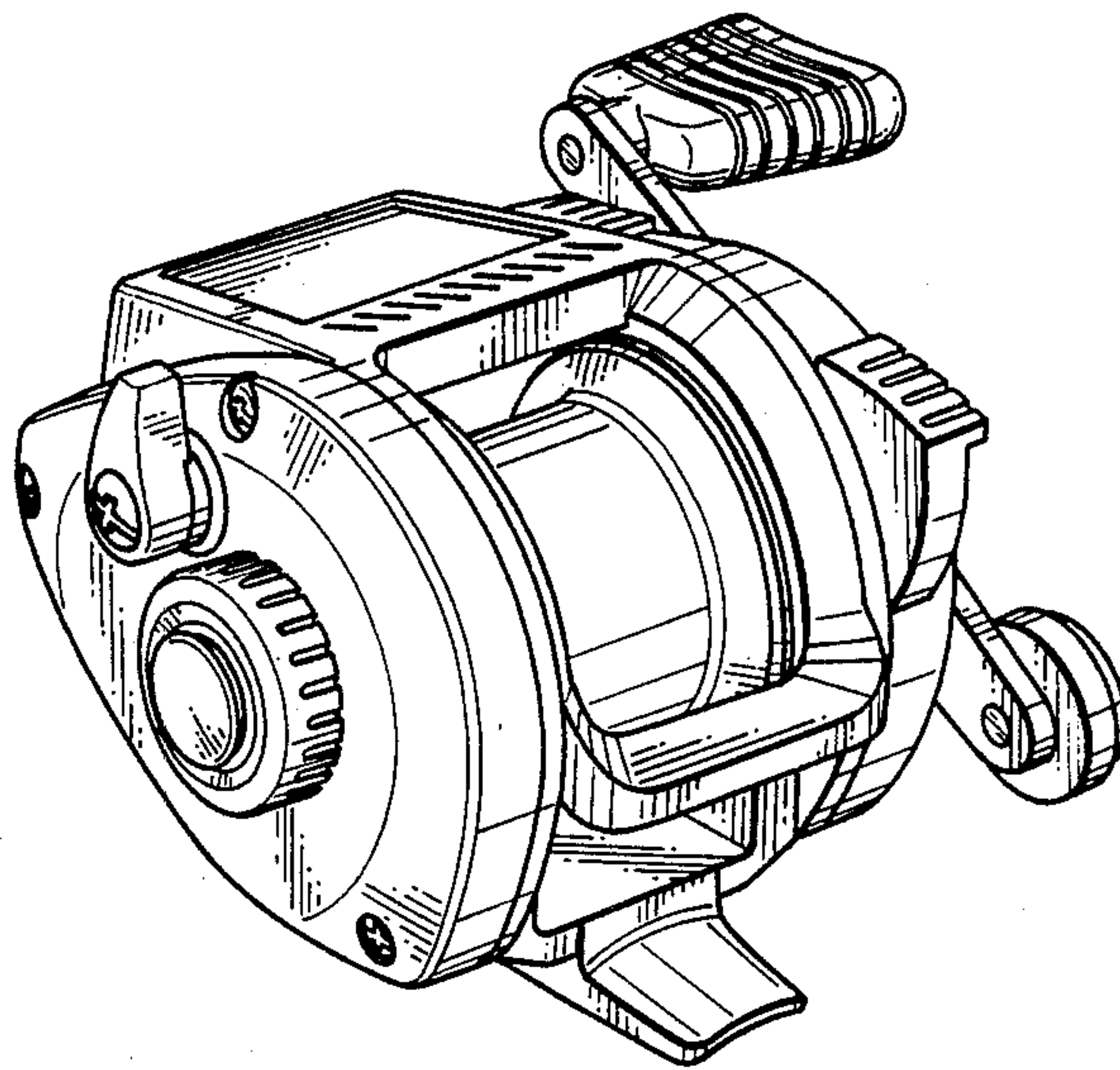
*Primary Examiner*—A. Hugo Word  
*Attorney, Agent, or Firm*—Sughrue, Mion, Zinn,  
Macpeak & Seas

[57] **CLAIM**

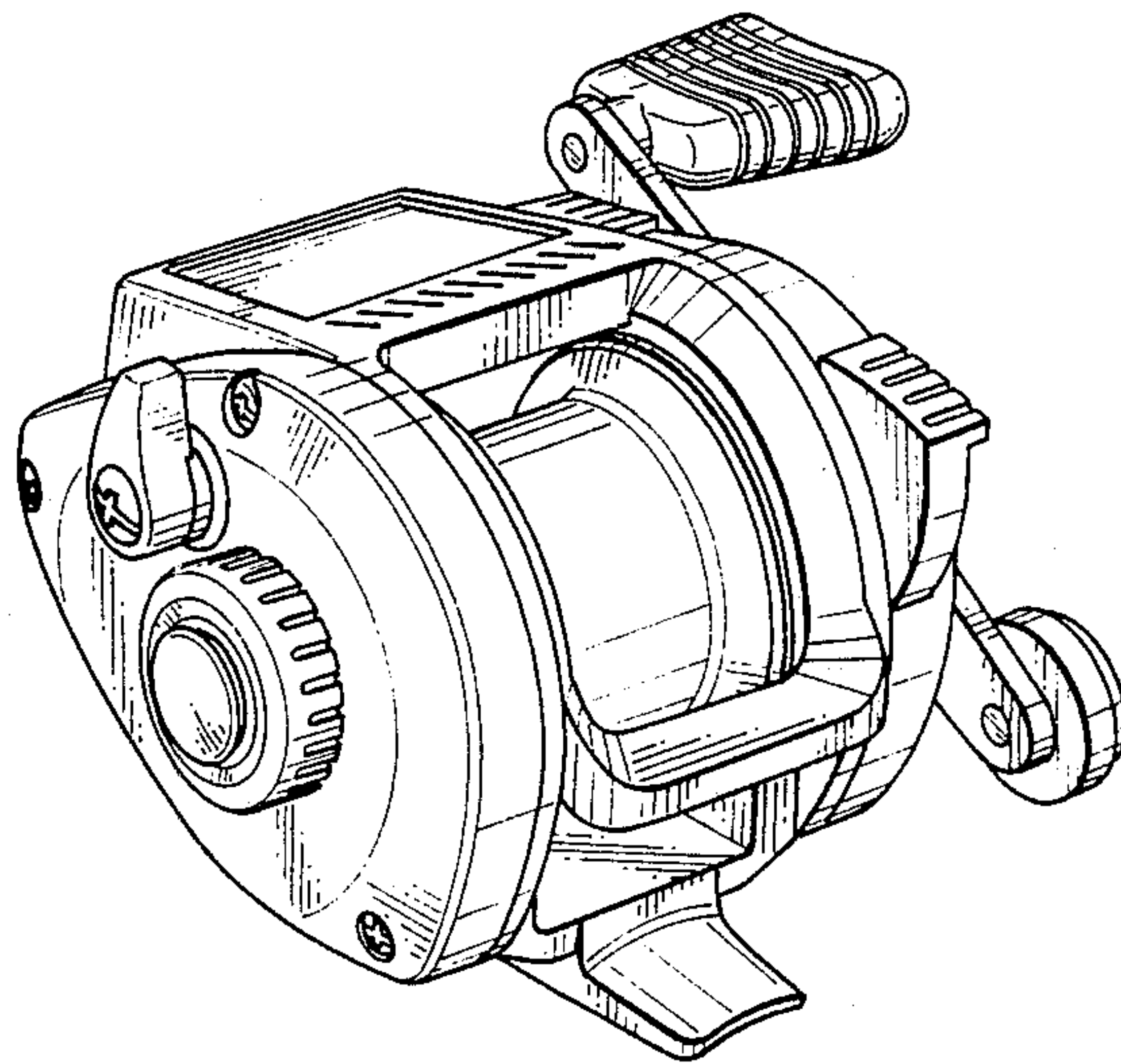
The ornamental design for a fishing reel, as shown.

**DESCRIPTION**

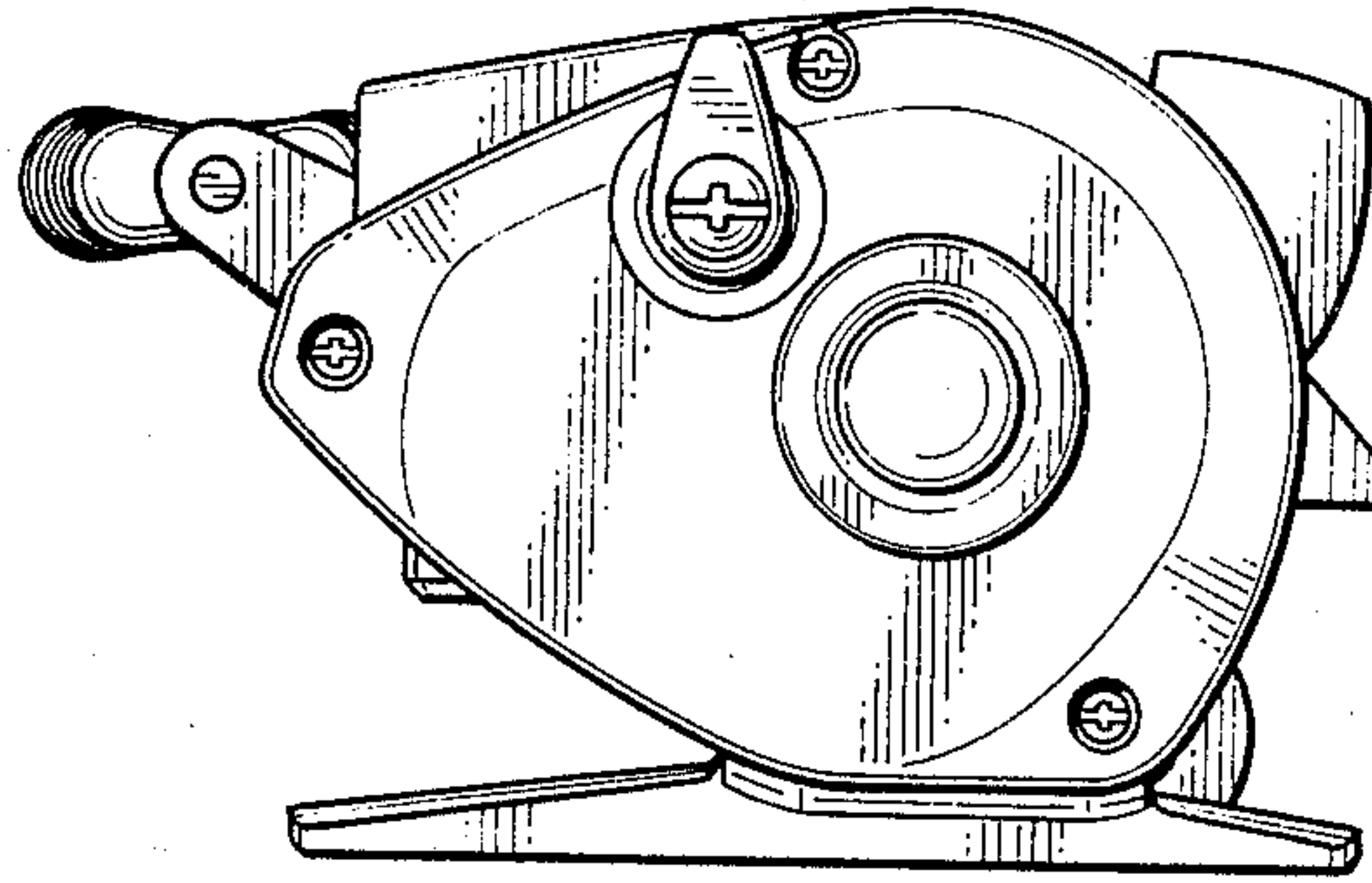
FIG. 1 is a top, rear and right side perspective view of a fishing reel showing our new design;  
FIG. 2 is a right side elevational view thereof;  
FIG. 3 is a left side elevational view thereof;  
FIG. 4 is a front elevational view thereof;  
FIG. 5 is a top plan view thereof;  
FIG. 6 is a rear elevational view thereof; and  
FIG. 7 is a bottom plan view thereof.



*Fig. 1*



*Fig. 2*



*Fig. 3*

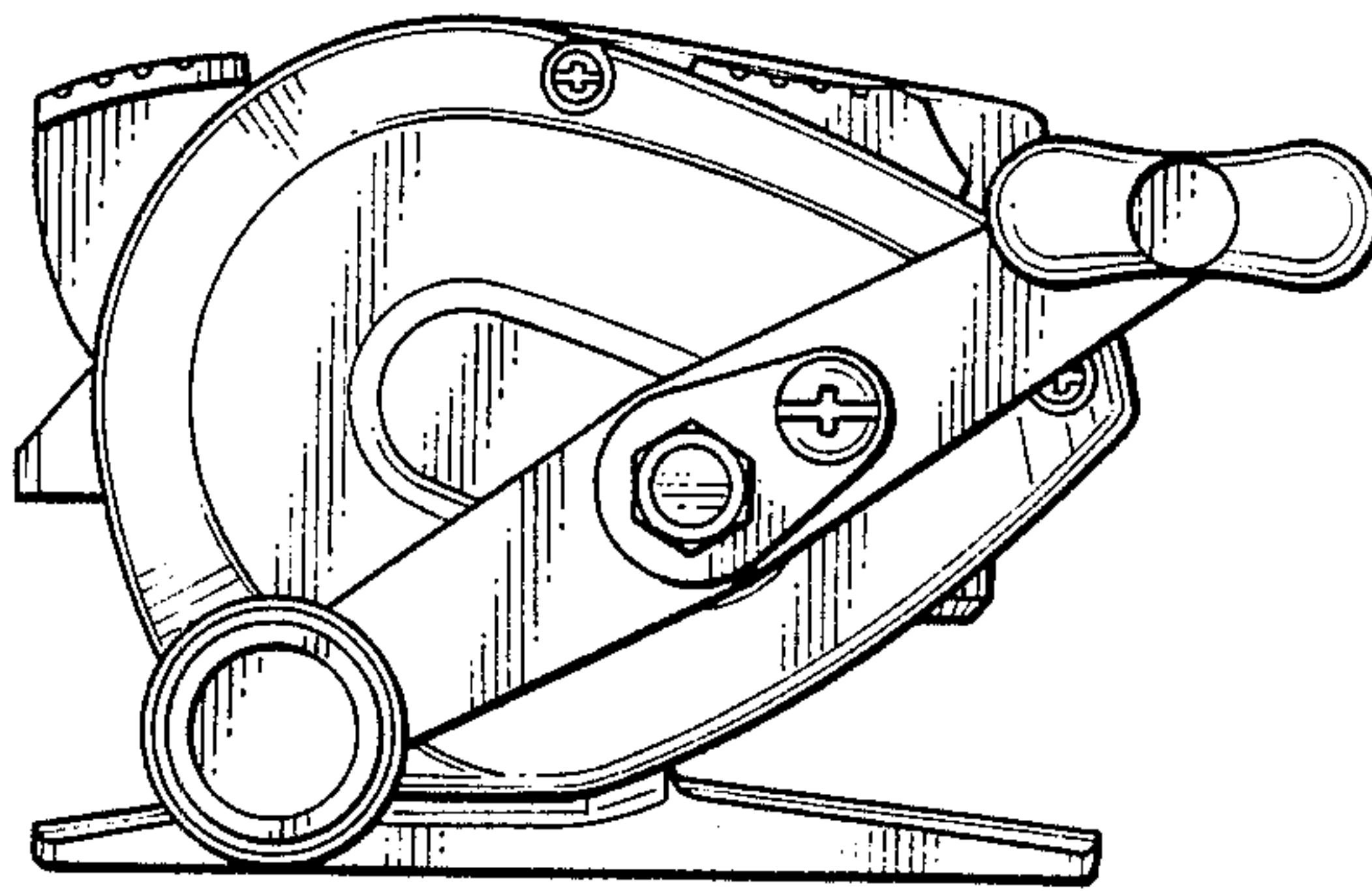


Fig. 4

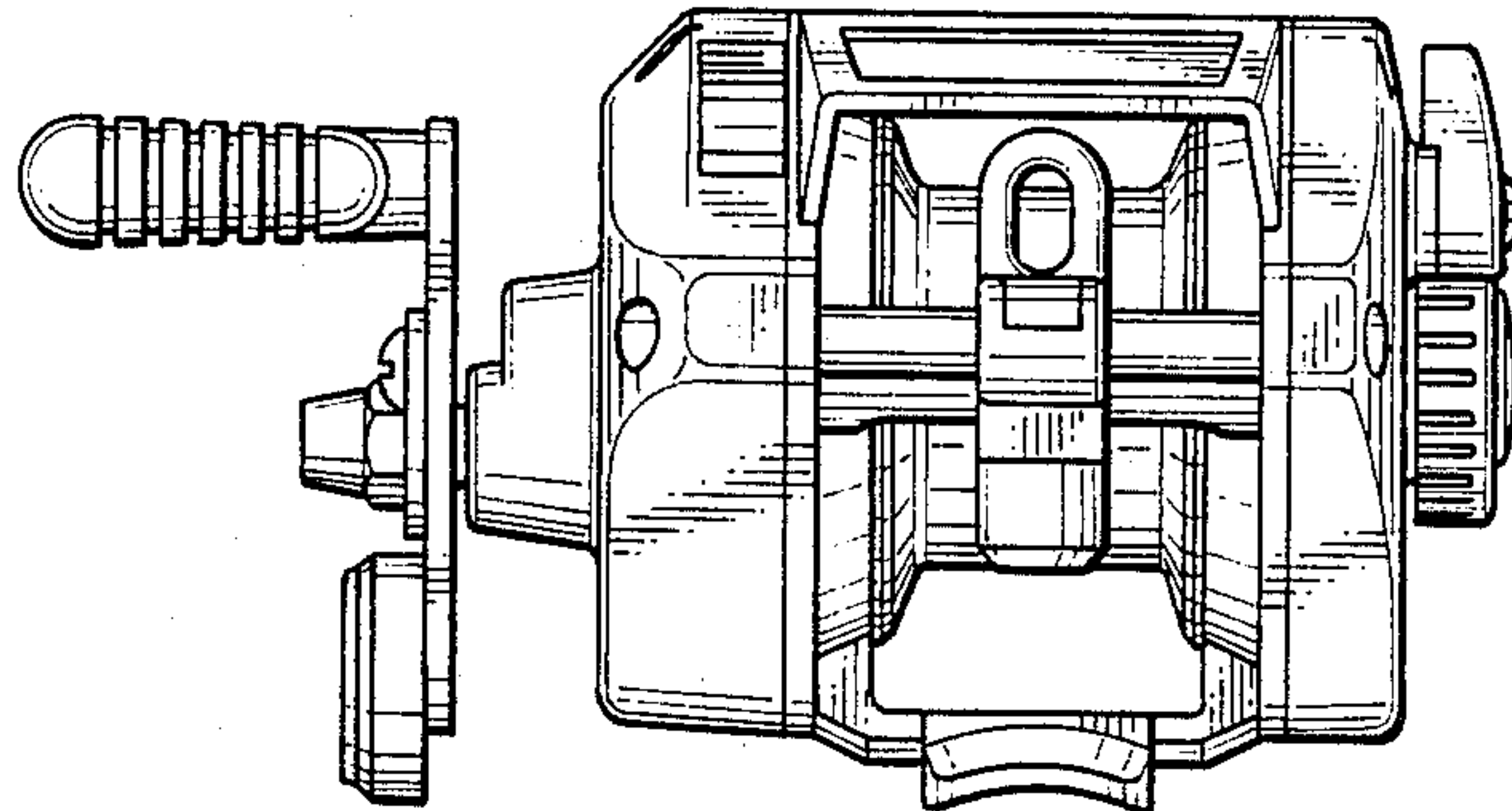


Fig. 5

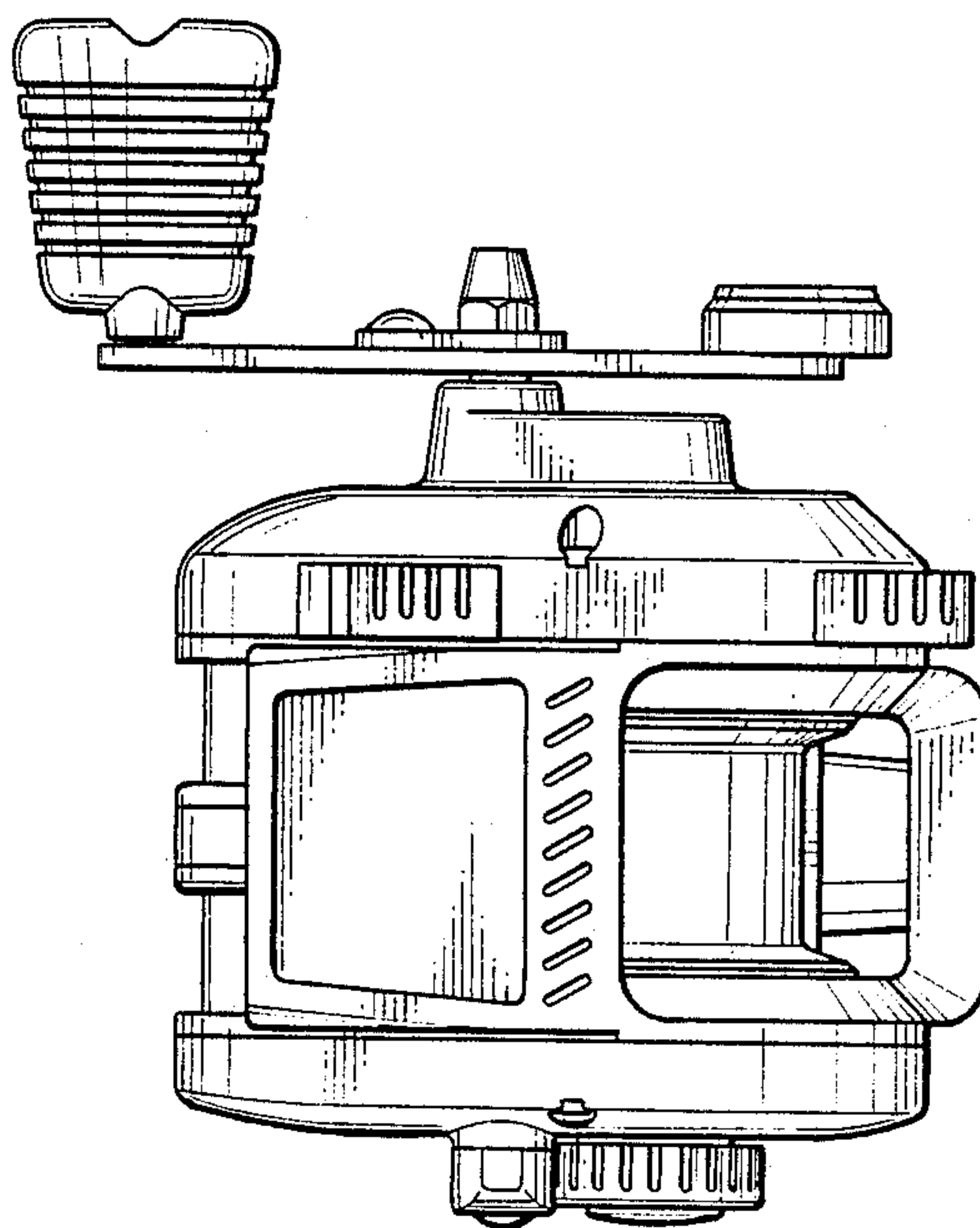


Fig. 6

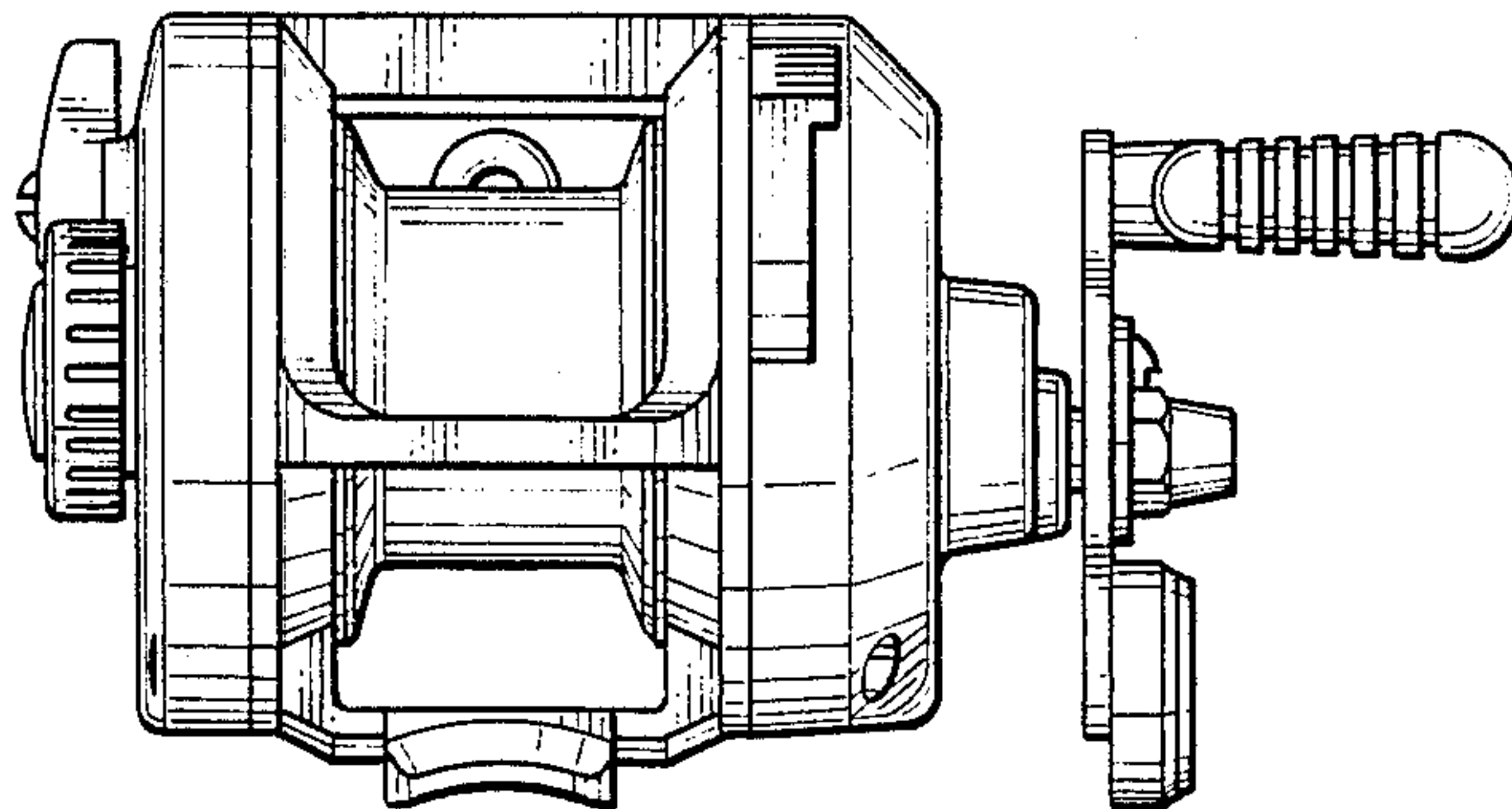


Fig. 7

