

[54] **DISPLAY TAG**  
[76] **Inventor: Charles P. Stevens, 5066 Spring Rock Ter., Roswell, Ga. 30075**  
[\*\*] **Term: 14 Years**  
[21] **Appl. No.: 936,016**  
[22] **Filed: Nov. 28, 1986**  
[52] **U.S. Cl. .... D20/27; D20/22**  
[58] **Field of Search ..... D20/22, 23, 27, 28, D20/99; D19/1, 10; 40/2 R, 6, 10 R, 16, 20 A, 20 R, 21 R, 312, 591**

4,616,435 10/1986 Perfect ..... 40/6

**OTHER PUBLICATIONS**

Hong Kong Enterprise, 7/85, p. 229, Key Finder.

*Primary Examiner*—Bernard Ansher  
*Assistant Examiner*—Theodore M. Shooman  
*Attorney, Agent, or Firm*—James B. Middleton

[56] **References Cited**

**U.S. PATENT DOCUMENTS**

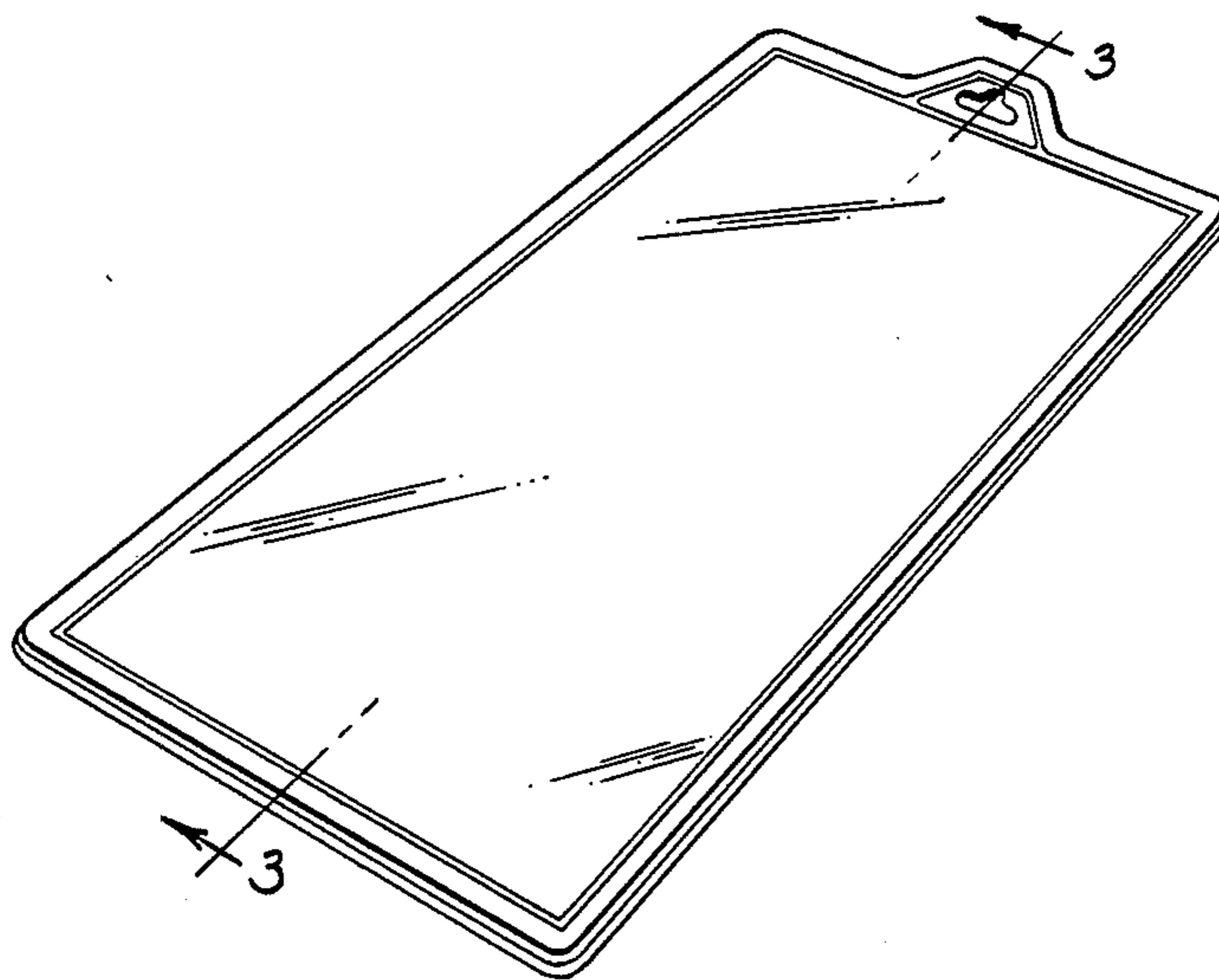
D. 221,118 7/1971 Chambers ..... D20/22  
D. 262,895 2/1982 Szabo ..... D20/27

[57] **CLAIM**

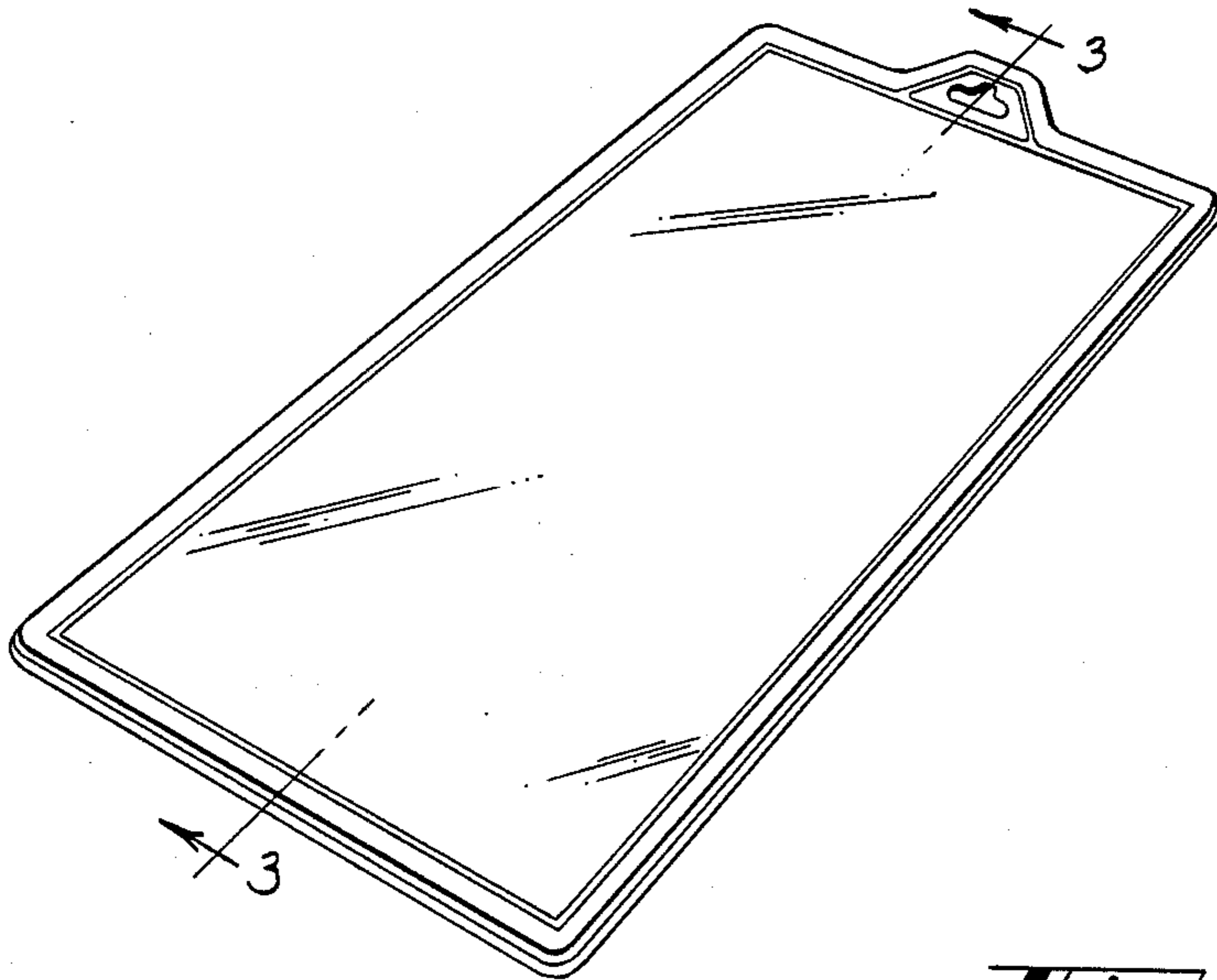
The ornamental design for a display tag, as shown.

**DESCRIPTION**

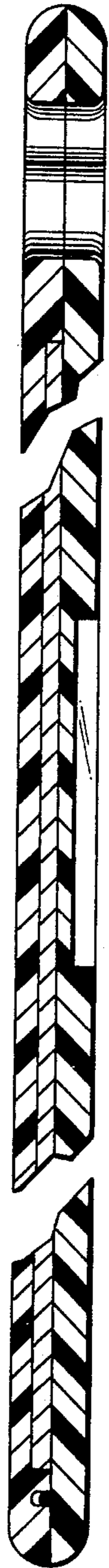
FIG. 1 is a front, bottom and right side perspective view of a display tag showing my new design;  
FIG. 2 is a rear, top and left side perspective view thereof; and  
FIG. 3 is an enlarged fragmental sectional view thereof, taken along line 3—3 in FIG. 1.



**Fig. 1**



**Fig. 3**



**Fig. 2**

