

United States Patent [19]
Kuroki

[11] **Patent Number: Des. 300,832**
[45] **Date of Patent: ** Apr. 25, 1989**

[54] **SEWING MACHINE**

[75] **Inventor: Nobufusa Kuroki, Machida, Japan**

[73] **Assignee: Janome Sewing Machine Co. Ltd.,
Tokyo, Japan**

[**] **Term: 14 Years**

[21] **Appl. No.: 808,435**

[22] **Filed: Dec. 12, 1985**

[30] **Foreign Application Priority Data**

Oct. 4, 1985 [JP] Japan 60-41488
[52] **U.S. Cl. D15/70**
[58] **Field of Search D15/66-77;
112/258-261**

[56] **References Cited**

U.S. PATENT DOCUMENTS

D. 281,429 11/1985 Kuroki D15/69
D. 290,368 6/1987 Eguchi D15/69
D. 292,588 11/1987 Uchida D15/70

Primary Examiner—Melvin B. Feifer
Attorney, Agent, or Firm—Michael J. Striker

[57] **CLAIM**

The ornamental design for a sewing machine, as shown and described.

DESCRIPTION

FIG. 1 is a front elevation of a sewing machine showing my new design;
FIG. 2 is a rear elevation view thereof;
FIG. 3 is a left side view thereof;
FIG. 4 is a right side view thereof;
FIG. 5 is a top plan view thereof;
FIG. 6 is a bottom plan view thereof; and
FIG. 7 is an elevational perspective view thereof.

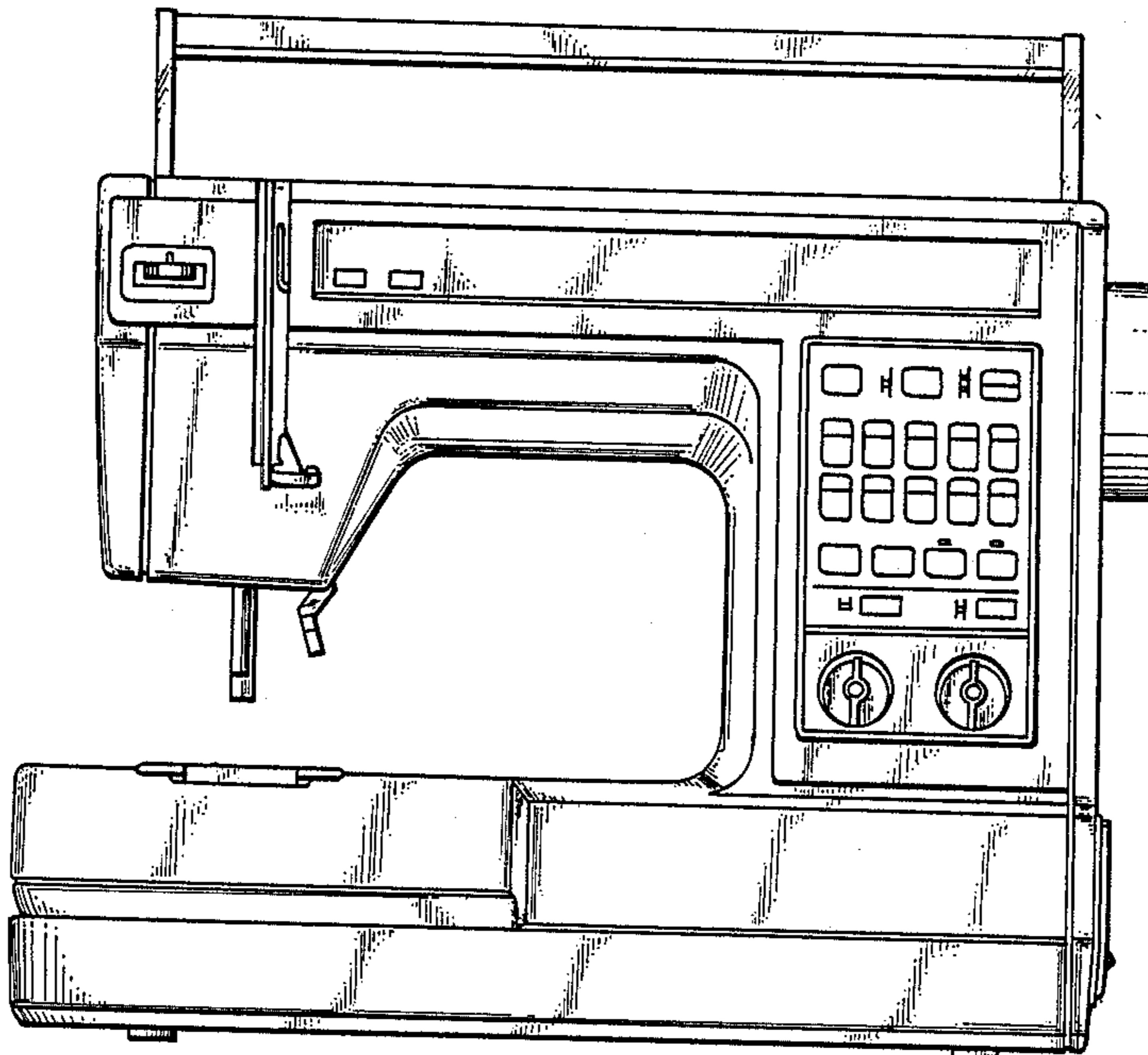


FIG. 1

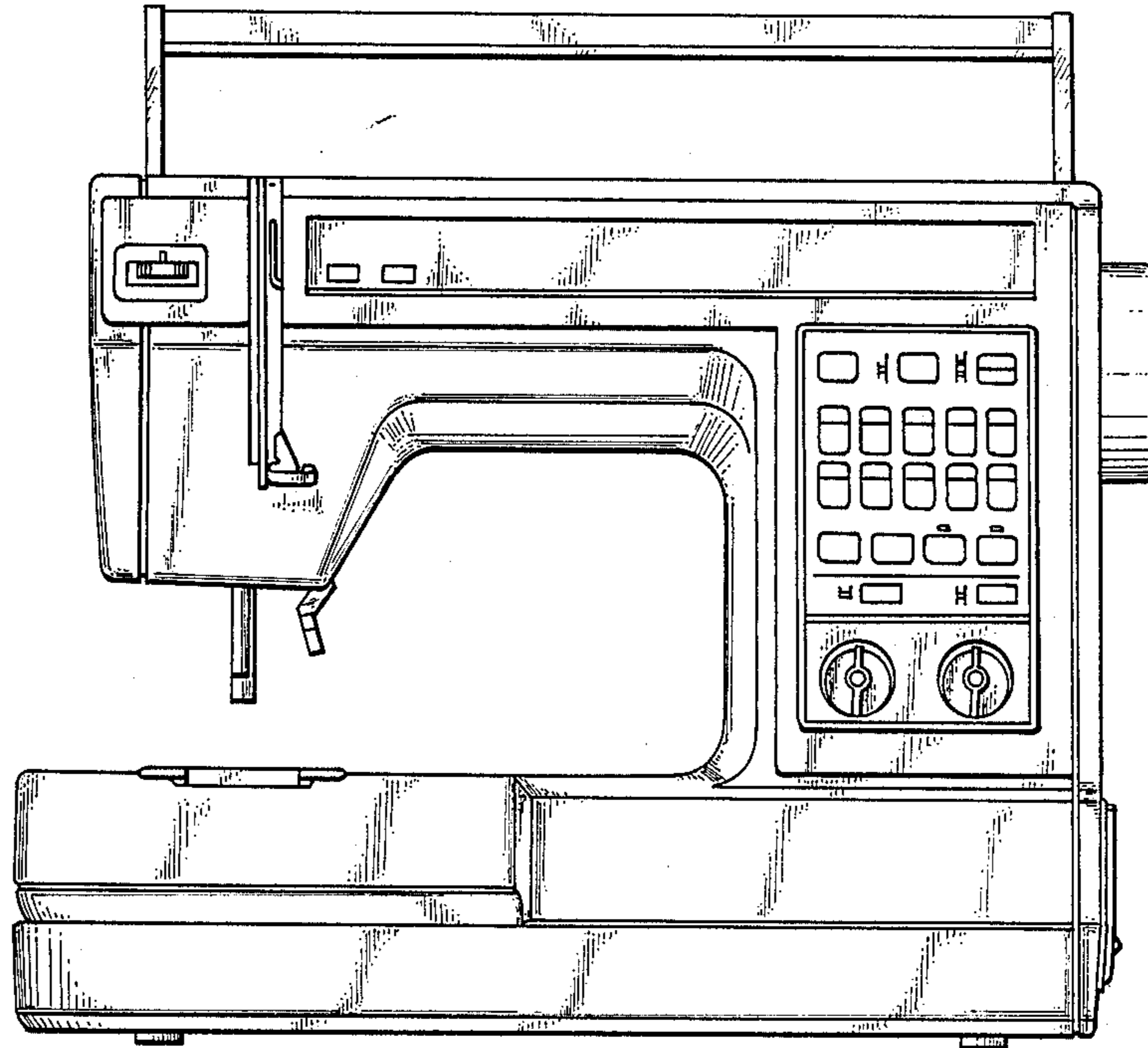


FIG. 5

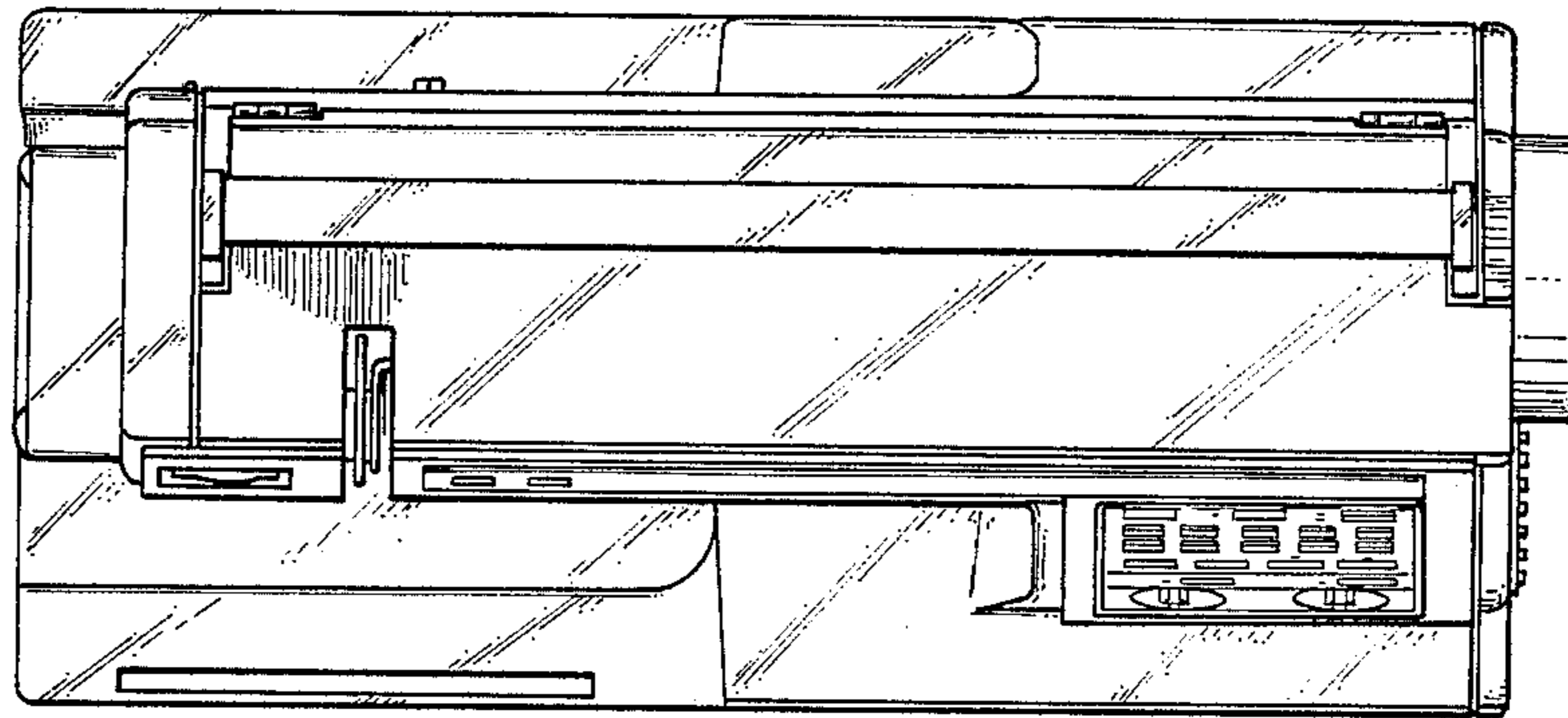


FIG. 2

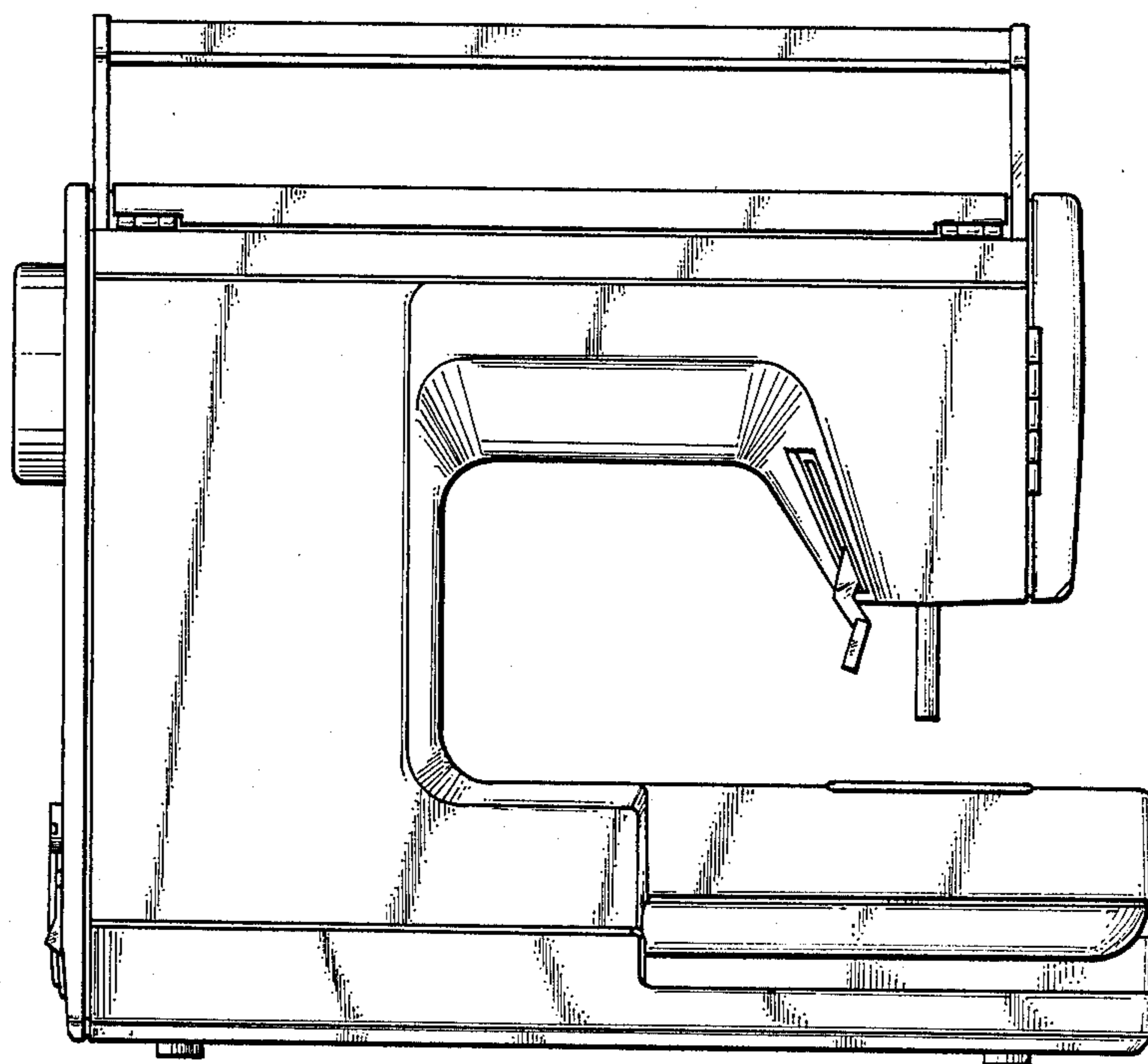


FIG. 6

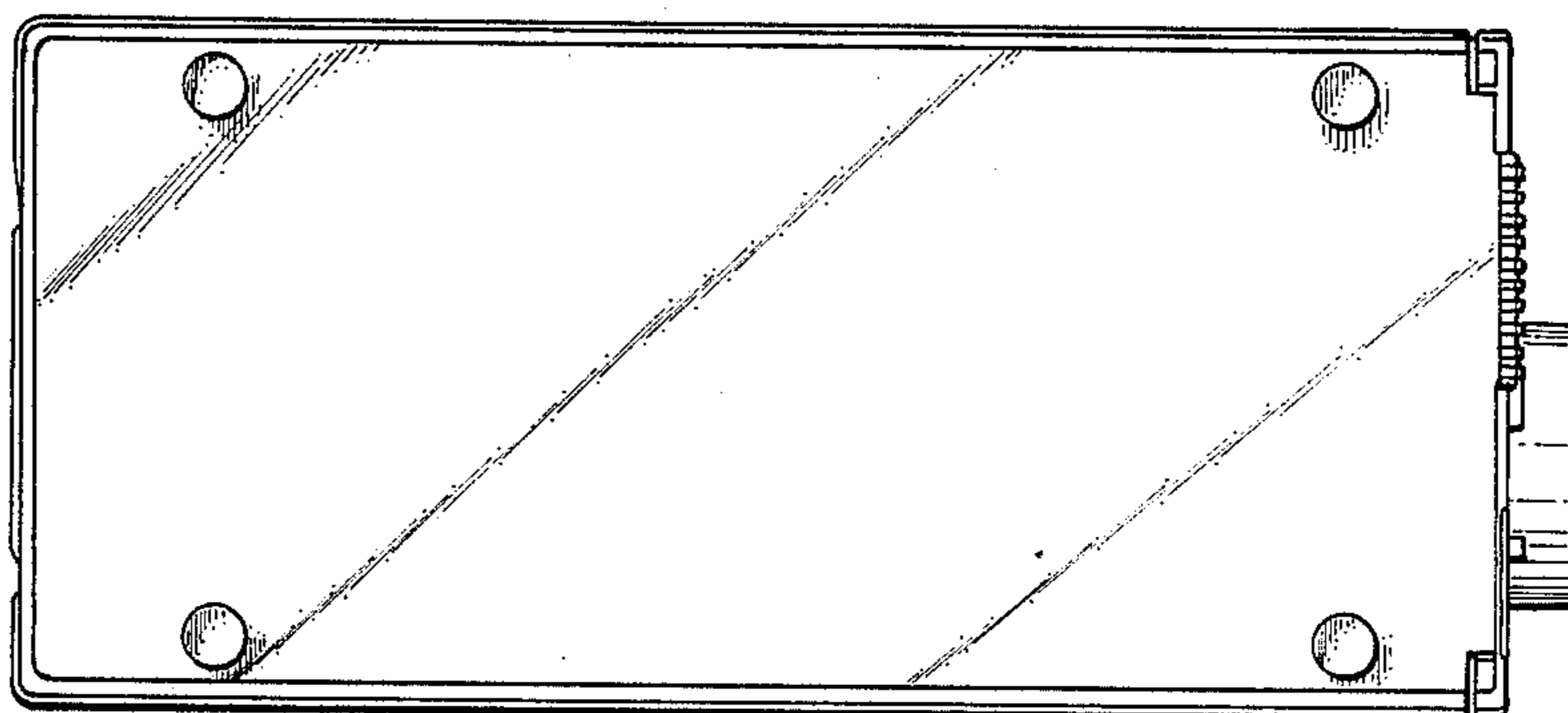


FIG. 3

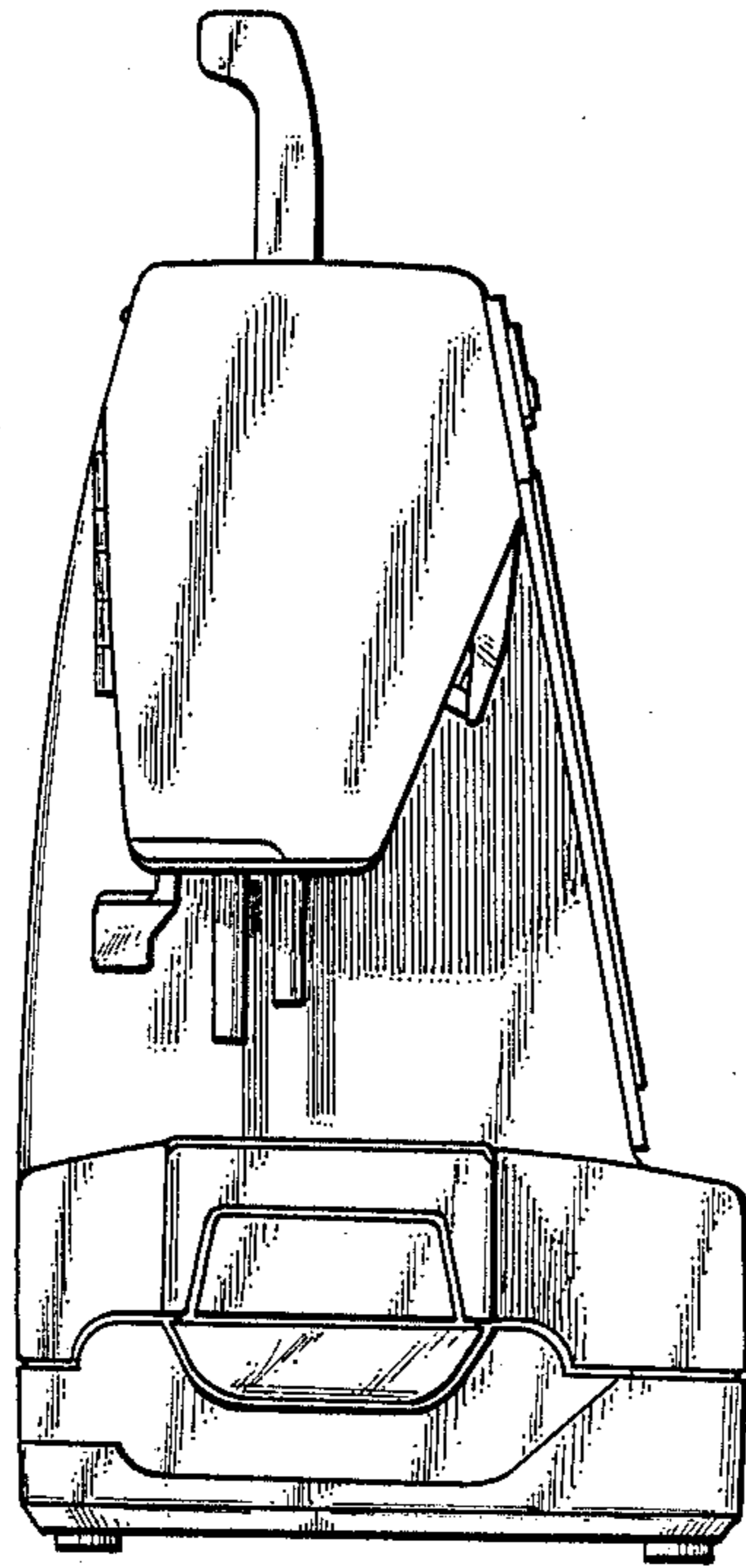


FIG. 4

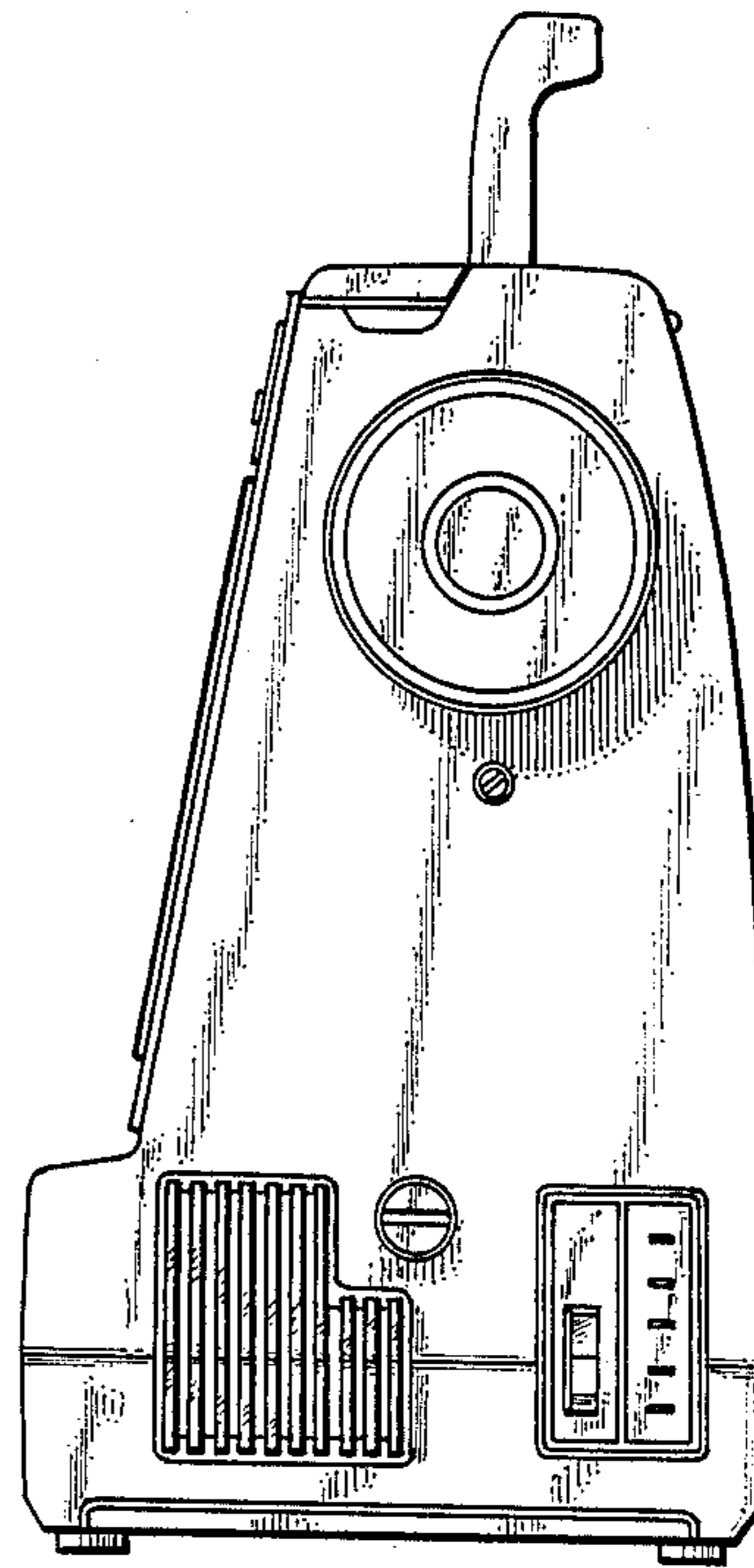


FIG. 7

